



US00D548333S

(12) **United States Design Patent** (10) **Patent No.:** **US D548,333 S**
Gunaratnam et al. (45) **Date of Patent:** **** Aug. 7, 2007**

(54) **PORT CAP FOR USE WITH MASK ASSEMBLY IN THE APPLICATION OF CONTINUOUS POSITIVE AIRWAY PRESSURE (CPAP)**

(75) Inventors: **Michael K. Gunaratnam**, Marsfield (AU); **Amal Shirley Amarasinghe**, West Pennant Hills (AU)

(73) Assignee: **ResMed Limited**, North Ryde (AU)

(**) Term: **14 Years**

(21) Appl. No.: **29/183,802**

(22) Filed: **Jun. 18, 2003**

Related U.S. Application Data

(63) Continuation-in-part of application No. 10/162,234, filed on Jun. 5, 2002, which is a continuation of application No. 09/504,234, filed on Feb. 15, 2000, now Pat. No. 6,439,230, which is a continuation-in-part of application No. 29/115,618, filed on Dec. 16, 1999, now Pat. No. Des. 443,355.

(30) **Foreign Application Priority Data**

Jun. 18, 1999 (AU) PQ 1040
Jun. 18, 1999 (AU) 1916/1999

(51) **LOC (8) Cl.** **29-02**

(52) **U.S. Cl.** **D24/110.5**

(58) **Field of Classification Search** D24/110.1,
D24/110.5; 128/207.13, 207.18, 204.18,
128/204.23

See application file for complete search history.

(56) **References Cited**

U.S. PATENT DOCUMENTS

718,785 A 1/1903 McNary
4,231,363 A 11/1980 Grimes
4,807,617 A 2/1989 Nesti
4,944,310 A 7/1990 Sullivan
5,042,478 A 8/1991 Kopala et al.
5,233,978 A 8/1993 Callaway et al.
5,243,971 A 9/1993 Sullivan et al.

5,311,862 A 5/1994 Blasdel et al.
5,375,593 A 12/1994 Press
5,425,359 A * 6/1995 Liou 128/206.11
5,429,683 A 7/1995 Le Mitouard
5,474,063 A 12/1995 Riendeau
5,542,128 A 8/1996 Lomas
5,662,101 A 9/1997 Ogden et al.
5,682,881 A * 11/1997 Winthrop et al. 128/207.18
5,687,715 A 11/1997 Landis et al.
5,724,965 A 3/1998 Handke et al.
5,865,174 A * 2/1999 Kloeppel 128/204.23

(Continued)

OTHER PUBLICATIONS

Brochure for "Ultra Mirage Mask—Mask Fitting Guide," Ref. No. 101412/2 00 04, 2000, 1 page.
Brochure for "Ultra Mirage Mask—Ultra Convenient, Ultra Comfortable, Ultra Quiet," Ref. No. 101375/1 00 02, 2000, 4 pages.

Primary Examiner—Antoine D. Davis
Assistant Examiner—Christopher Lee
(74) *Attorney, Agent, or Firm*—Nixon & Vanderhye P.C.

(57) **CLAIM**

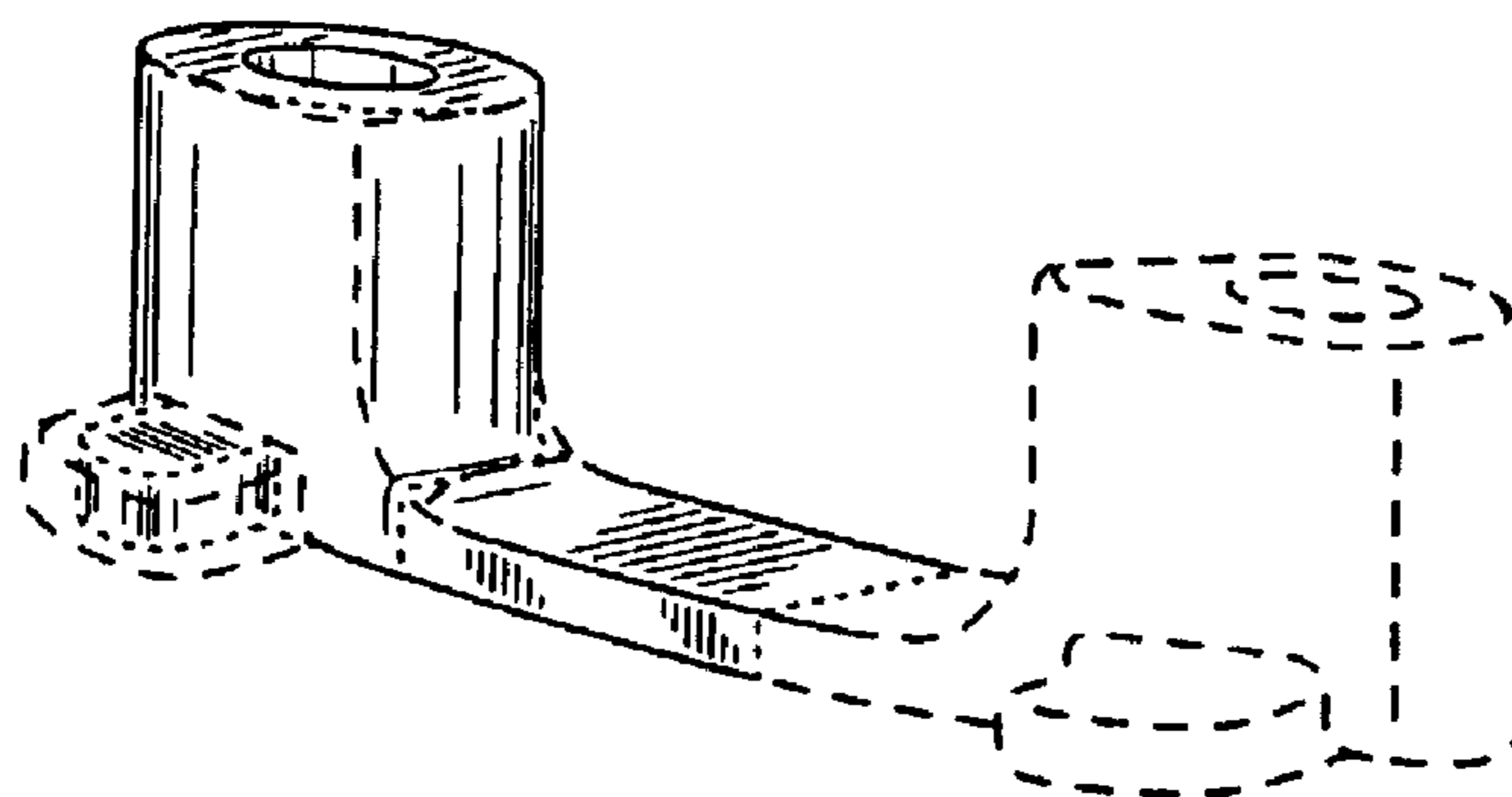
The ornamental design for a port cap for use with mask assembly in the application of continuous positive airway pressure (CPAP), as shown and described.

DESCRIPTION

FIG. 1 is a front perspective view of a port cap for use with a mask assembly in the application of CPAP processes according to an embodiment of our design; FIG. 2 is a front view thereof; and, FIG. 3 is a rear view thereof.

The dashed lines shown in FIGS. 1–3 disclose unclaimed subject matter, are for environmental purposes only, and thus form no part of the claimed design. The dotted lines shown in the Figures represent the borders between claimed subject matter and unclaimed subject matter and form no part of the claimed design.

1 Claim, 1 Drawing Sheet



US D548,333 S

Page 2

U.S. PATENT DOCUMENTS

5,918,598 A	7/1999	Belfer et al.	6,196,223 B1	3/2001	Belfer et al.
5,975,077 A	11/1999	Hofstetter et al.	6,354,293 B1	3/2002	Madison
D419,670 S	1/2000	Pollard	6,439,230 B1	8/2002	Gunaratnam et al.
6,044,844 A	4/2000	Kwok et al.	6,478,026 B1	11/2002	Wood

* cited by examiner

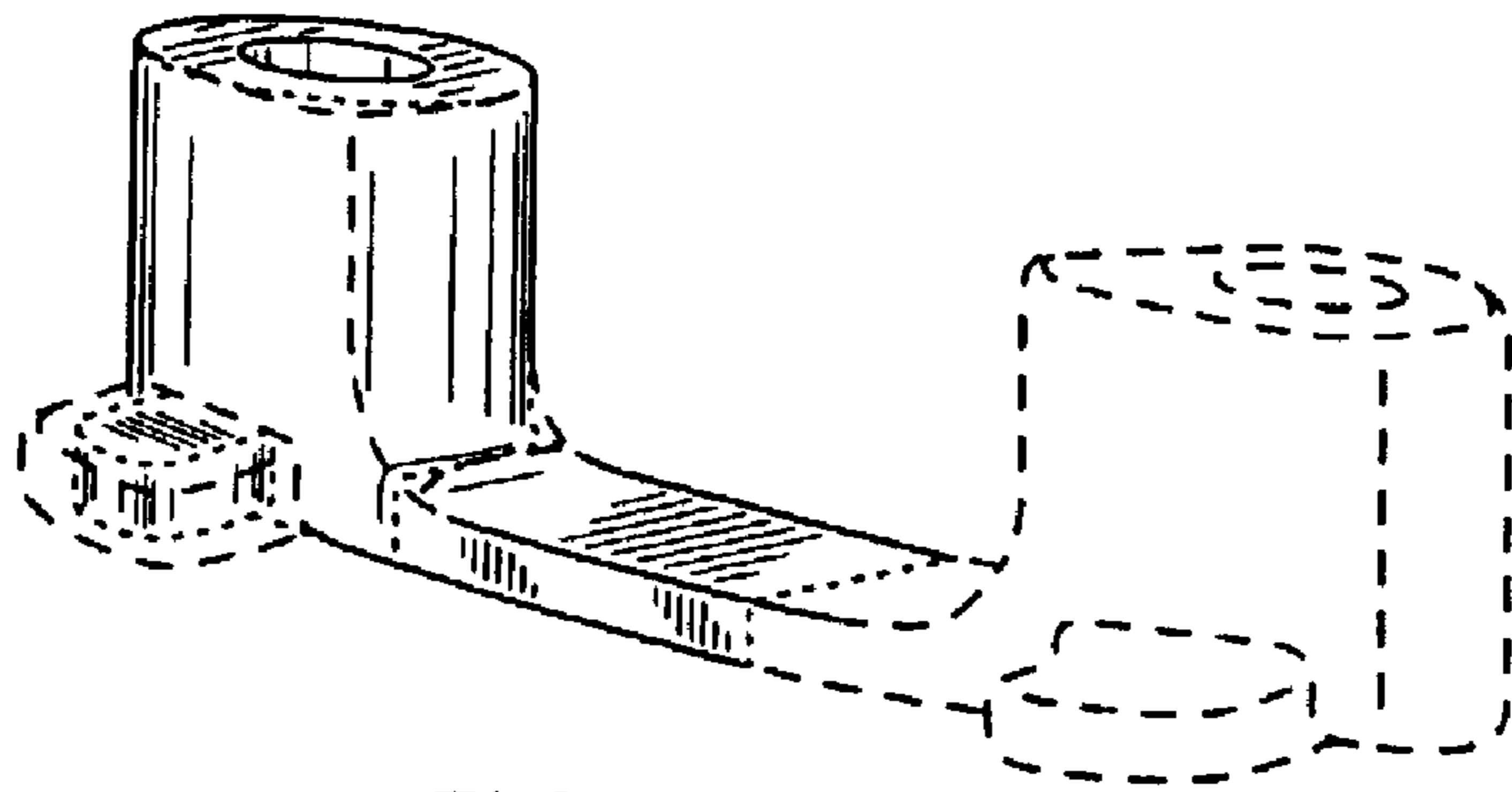


FIG. 1



FIG. 2

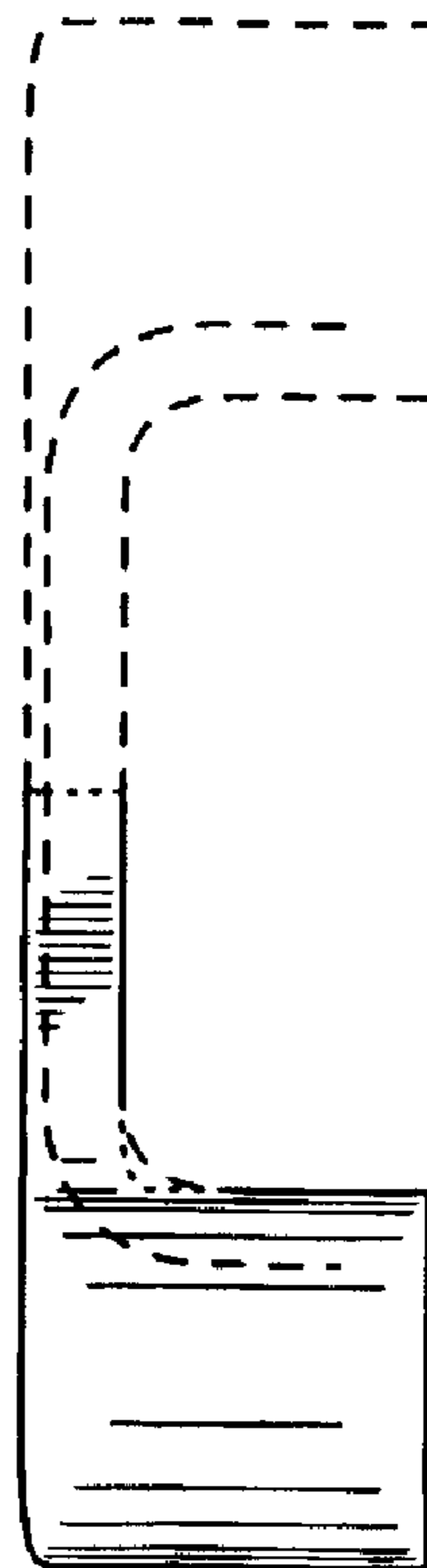


FIG. 3