

US00D548332S

(12) **United States Design Patent**
Hitchcock et al.

(10) **Patent No.:** **US D548,332 S**

(45) **Date of Patent:** **** Aug. 7, 2007**

(54) **ANTI-ASPHYXIA VALVE CLIP FOR RESPIRATORY MASK**

6,662,803 B2 12/2003 Gradon
6,691,707 B1 2/2004 Gunaratnam
D496,098 S * 9/2004 Guney et al. D24/110.1
6,851,425 B2 2/2005 Jaffre

(75) Inventors: **Robin Garth Hitchcock**, North Parramatta (AU); **Scott Alexander Howard**, Harbord (AU)

* cited by examiner

(73) Assignee: **ResMed Limited**, Bella Vista (AU)

Primary Examiner—Ian Simmons
Assistant Examiner—Christopher Lee

(**) Term: **14 Years**

(74) *Attorney, Agent, or Firm*—Nixon & Vanderhye P.C.

(21) Appl. No.: **29/251,708**

(57) **CLAIM**

(22) Filed: **Jan. 12, 2006**

The ornamental design for an anti-asphyxia valve clip for a respiratory mask, as shown and described.

(51) **LOC (8) Cl.** **29-02**

DESCRIPTION

(52) **U.S. Cl.** **D24/110.1; D24/110.5**

(58) **Field of Classification Search** D24/110.1, D24/110.2-5, 129; D29/102, 110, 122; 2/8, 2/9, 424; 128/205.25, 206.21, 206.26, 206.27, 128/207.11, 207.13, 207.17

FIG. 1 is a front perspective view of an anti-asphyxia valve clip for a respiratory mask according to our design; FIG. 2 is a front view thereof; FIG. 3 is a rear view thereof; FIG. 4 is a left side view thereof; FIG. 5 is a right side view thereof; FIG. 6 is a top view thereof; FIG. 7 is a bottom view thereof; and, FIG. 8 is a rear perspective view.

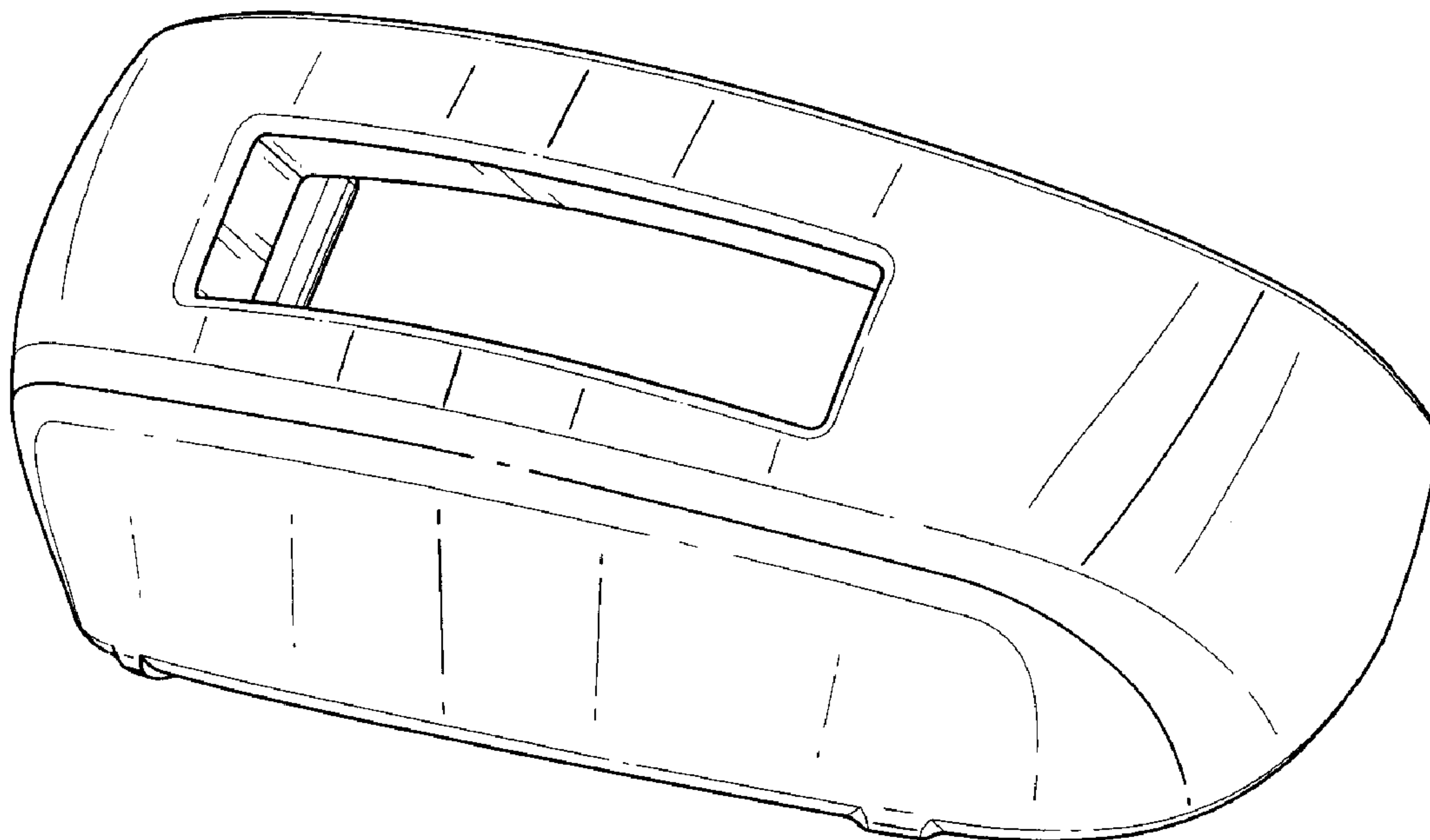
See application file for complete search history.

(56) **References Cited**

U.S. PATENT DOCUMENTS

D365,666 S * 12/1995 Gumpp D29/110
D468,823 S * 1/2003 Smart D24/110.1

1 Claim, 5 Drawing Sheets



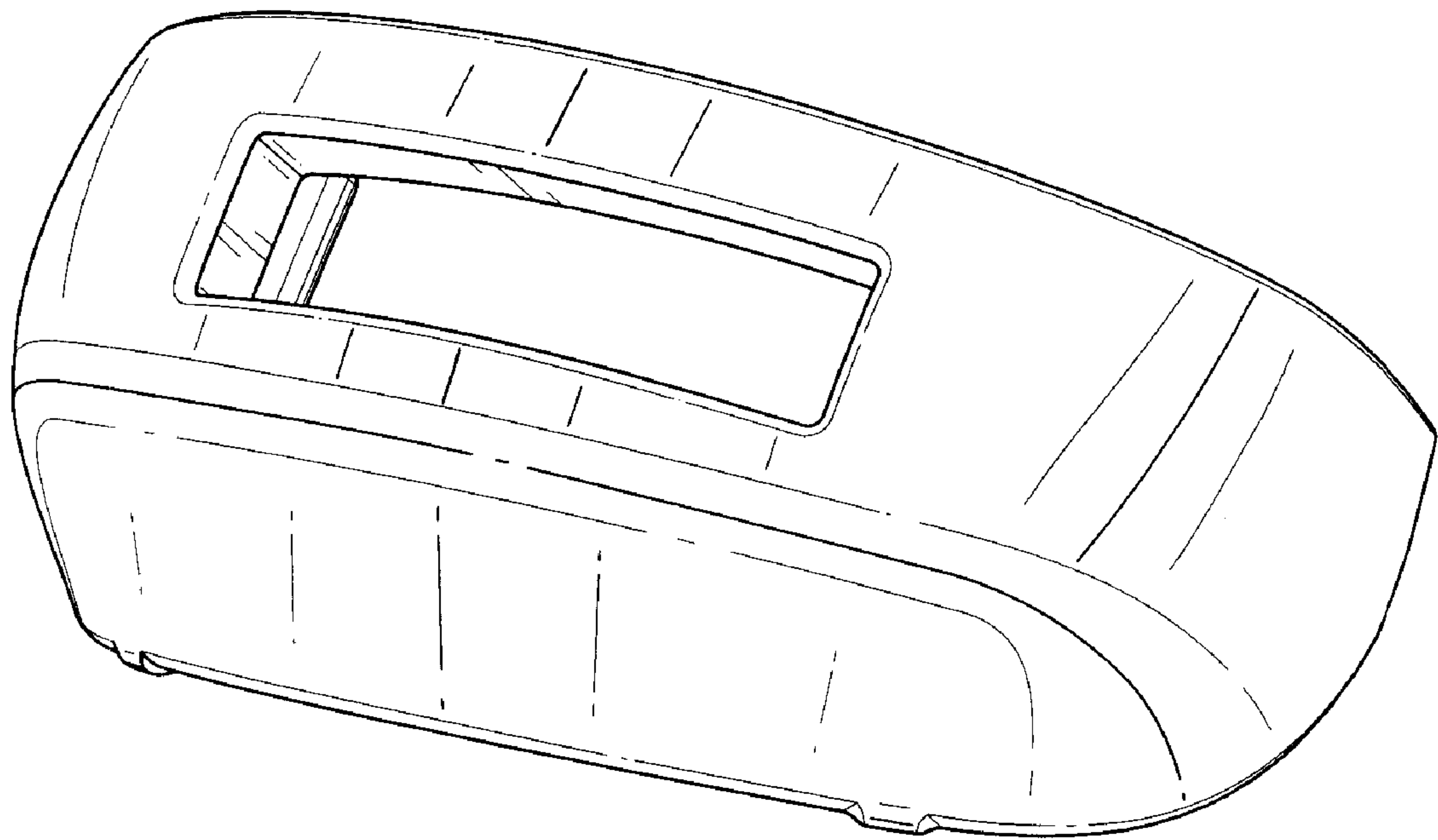


Fig. 1

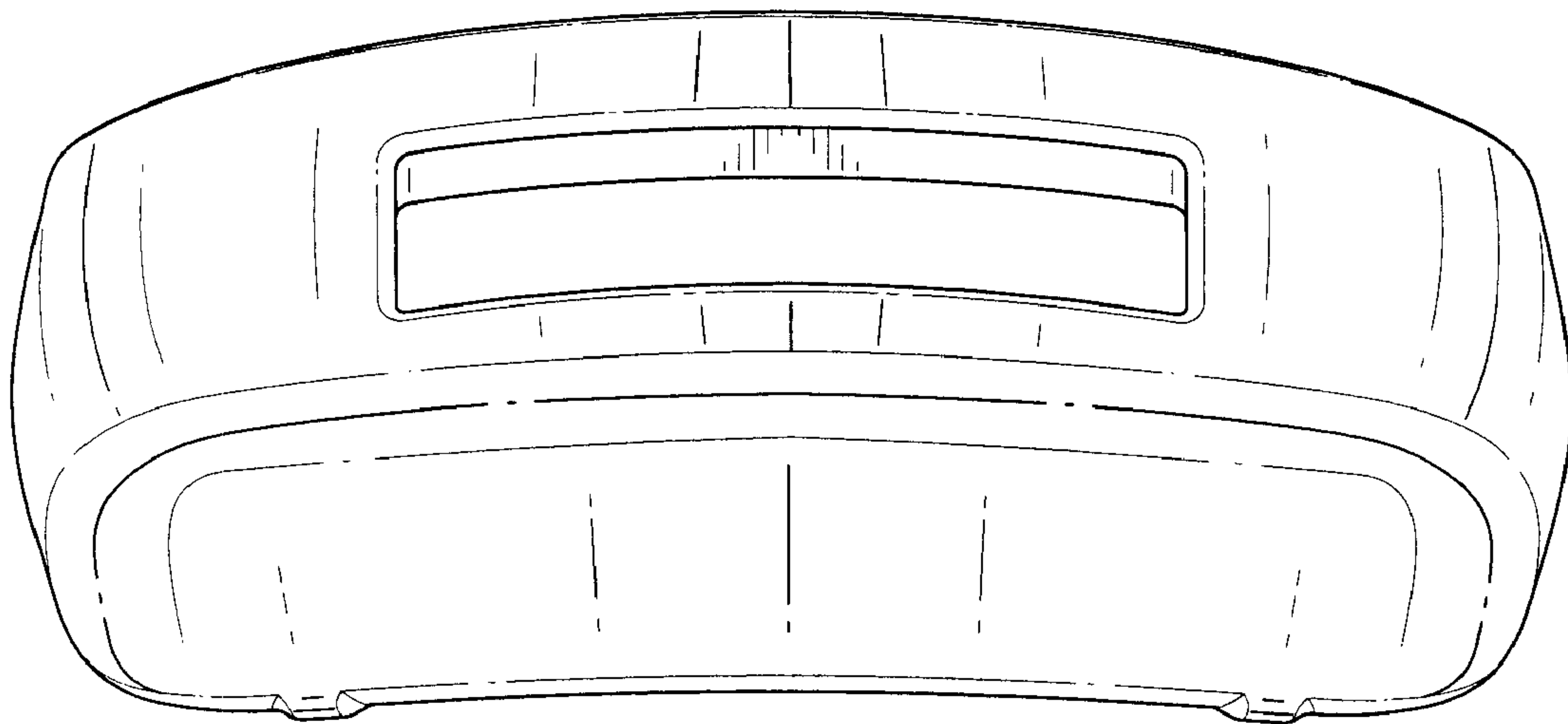


Fig. 2

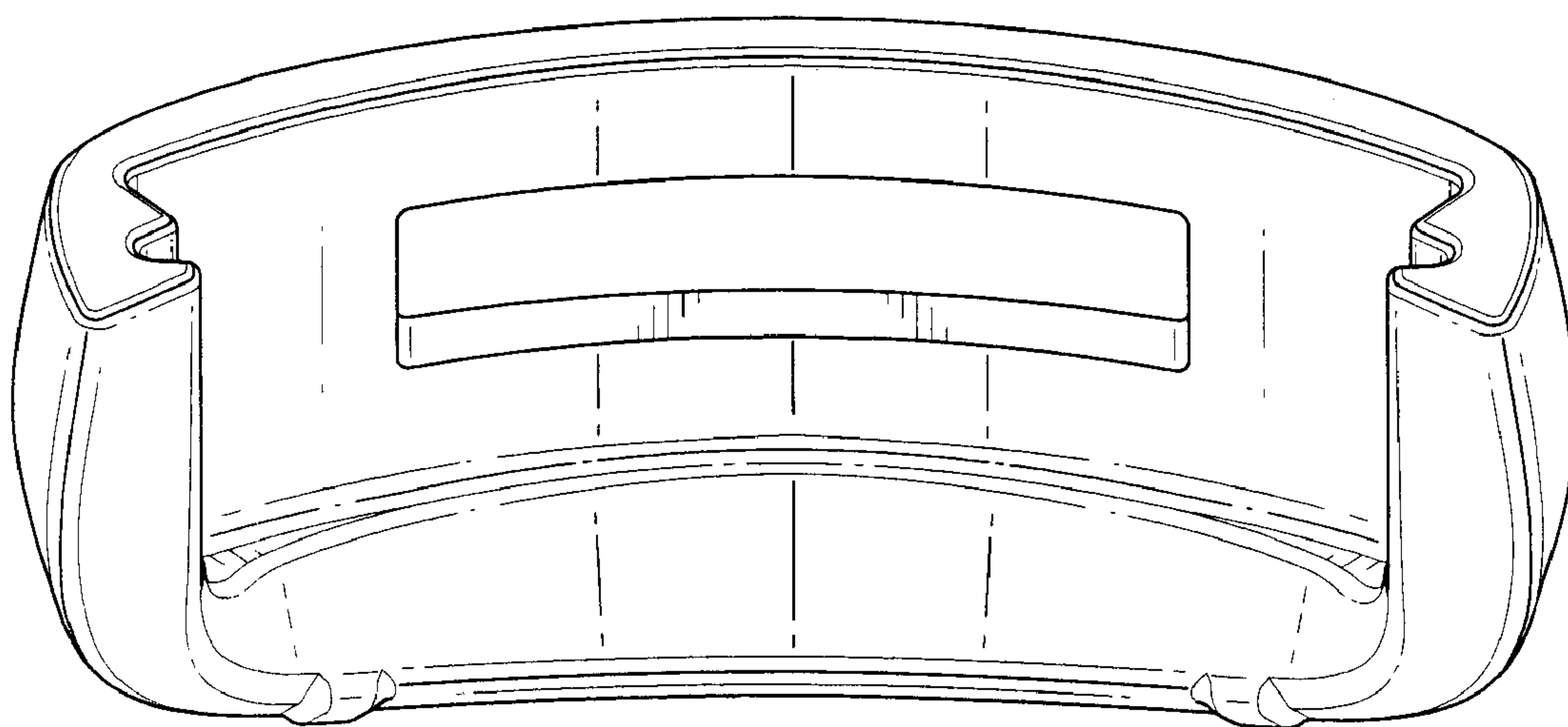


Fig. 3

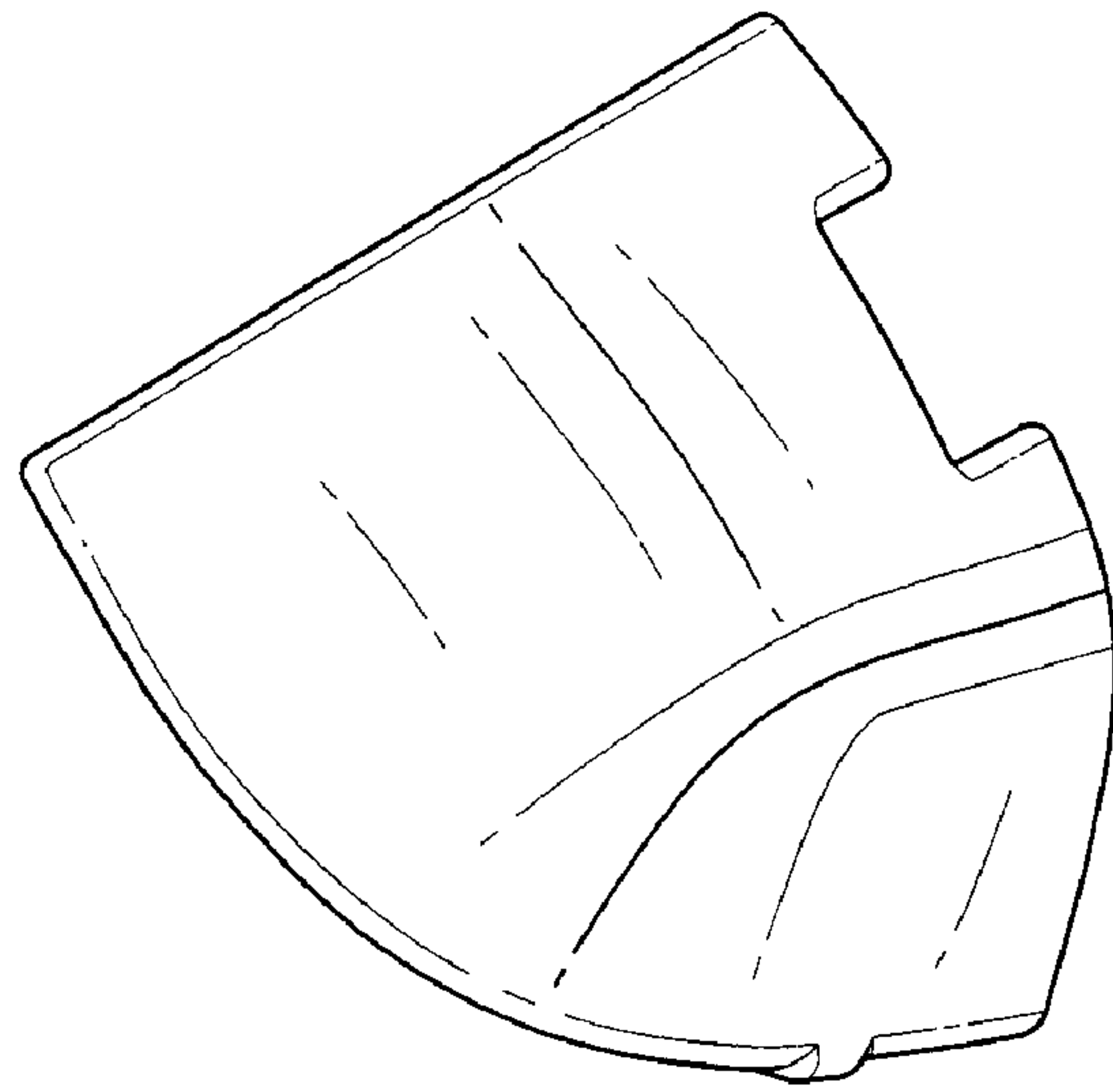


Fig. 4

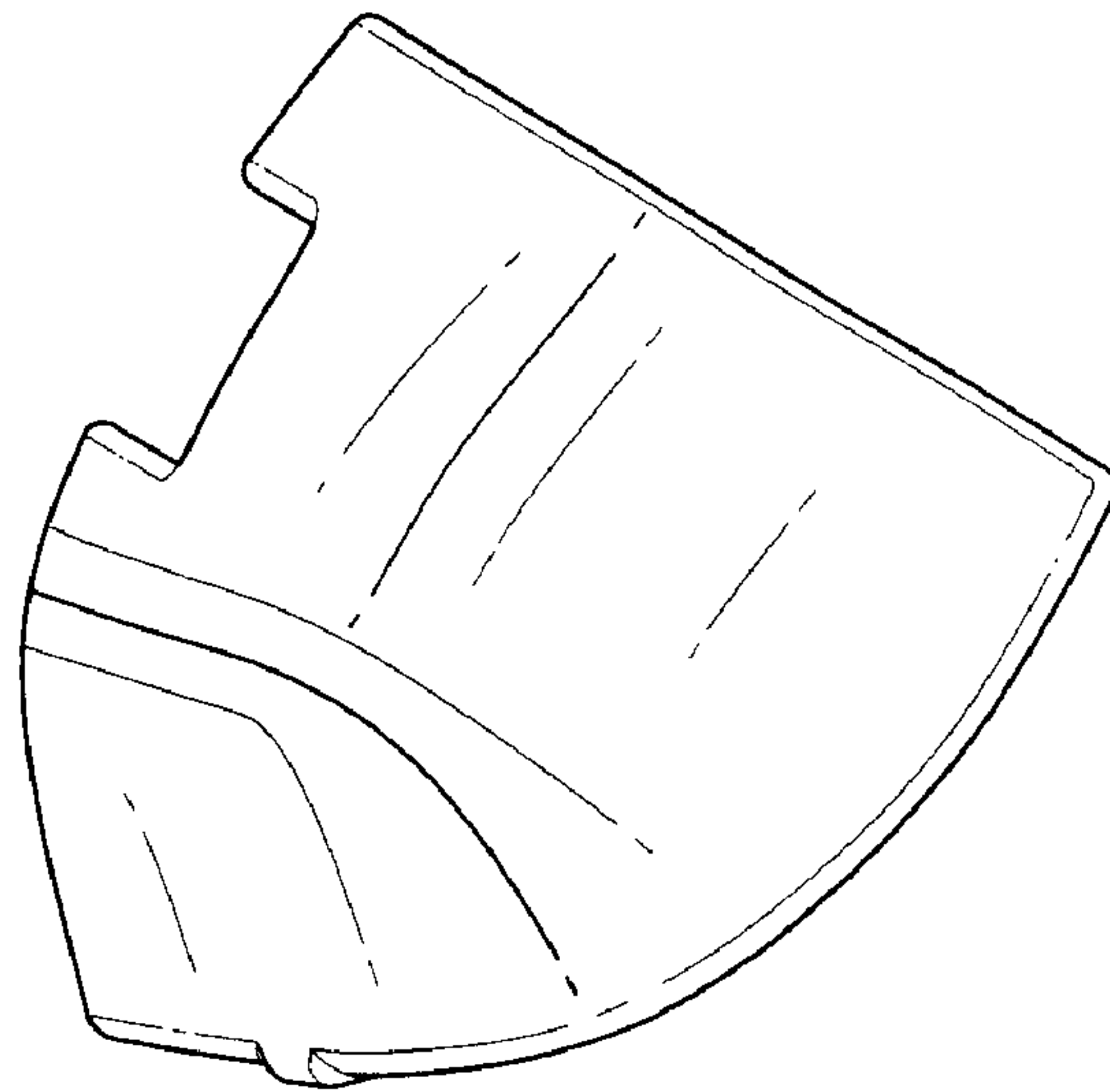


Fig. 5

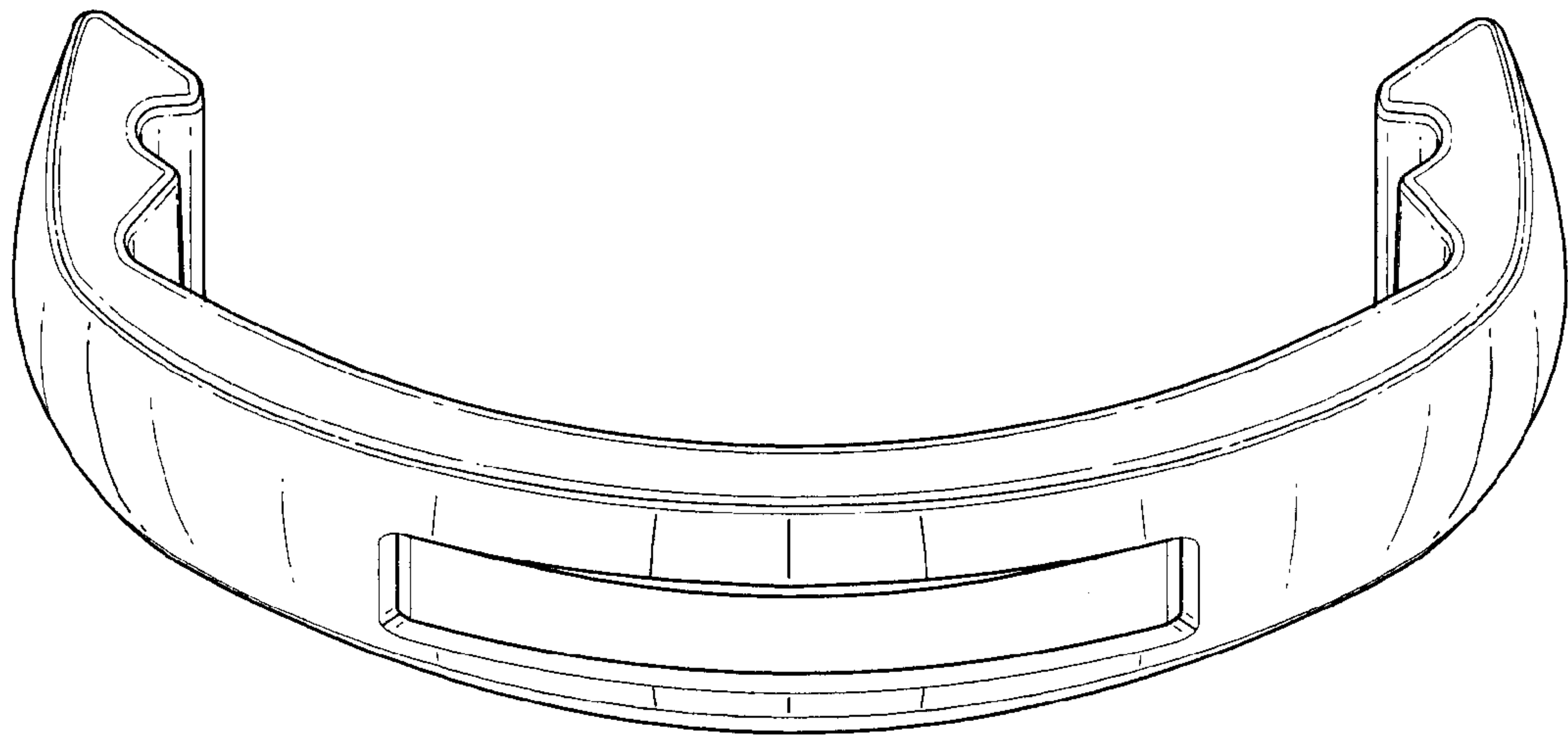


Fig. 6

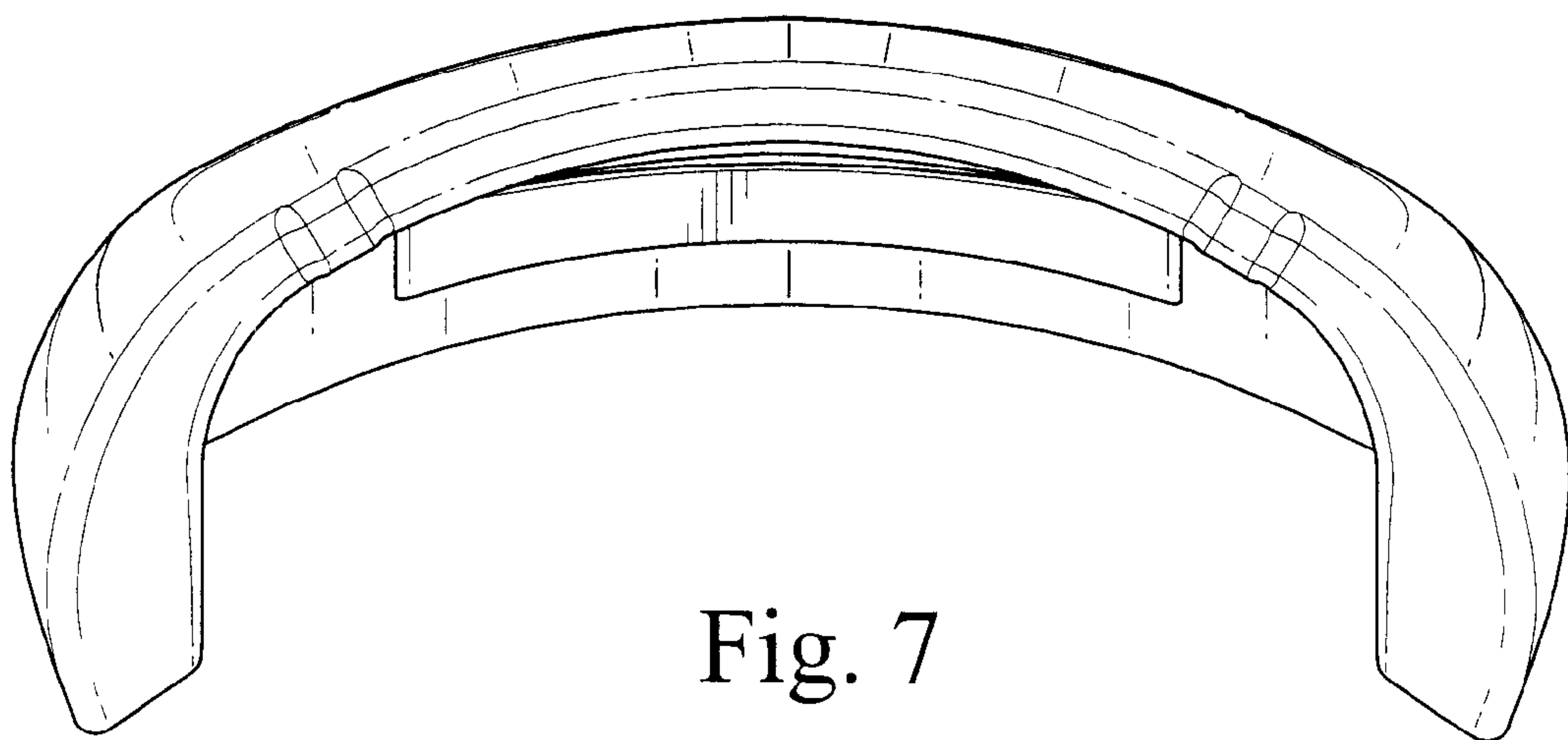


Fig. 7

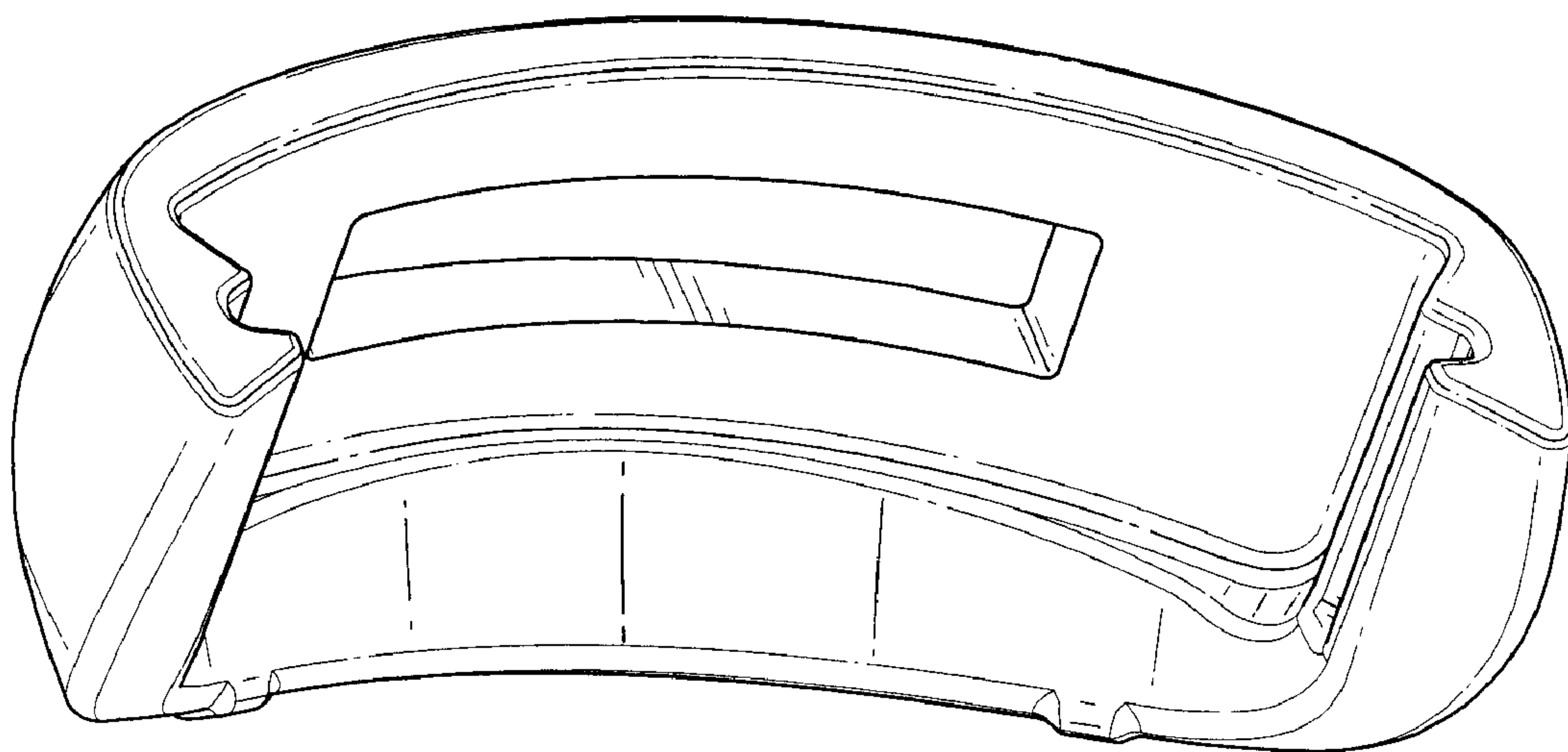


Fig. 8