

US00D548331S

(12) **United States Design Patent**
Tseng

(10) **Patent No.:** **US D548,331 S**

(45) **Date of Patent:** **** Aug. 7, 2007**

(54) **NEBULIZER**

D527,098 S * 8/2006 Cheng D24/110
D538,825 S * 3/2007 Chen Han D15/9

(76) Inventor: **Jui-Tsun Tseng**, No. 417-100, Sec. 4,
Kung Hsueh Road, Tainan (TW) 709

* cited by examiner

(**) Term: **14 Years**

Primary Examiner—Ian Simmons

Assistant Examiner—Christopher Lee

(21) Appl. No.: **29/269,922**

(74) *Attorney, Agent, or Firm*—Bacon & Thomas PLLC

(22) Filed: **Dec. 12, 2006**

(57) **CLAIM**

(51) **LOC (8) Cl.** **29-02**

The ornamental design for a nebulizer, as shown and described.

(52) **U.S. Cl.** **D24/110**

(58) **Field of Classification Search** D24/110,
D24/111; D15/9; D21/654; D23/232; 128/200.14,
128/200.21, 203.12, 204.18

DESCRIPTION

See application file for complete search history.

FIG. 1 is a perspective view of a nebulizer showing my new design;

FIG. 2 is a front elevational view thereof;

(56) **References Cited**

U.S. PATENT DOCUMENTS

D221,006 S * 6/1971 Tavala D99/40
5,690,096 A * 11/1997 Burch 128/204.18
D397,785 S * 9/1998 Solano D24/110
5,853,002 A * 12/1998 Kawasaki 128/200.14
D456,468 S * 4/2002 Roker D21/654
D498,768 S * 11/2004 Romandy et al. D15/9

FIG. 3 is a rear elevational view thereof;

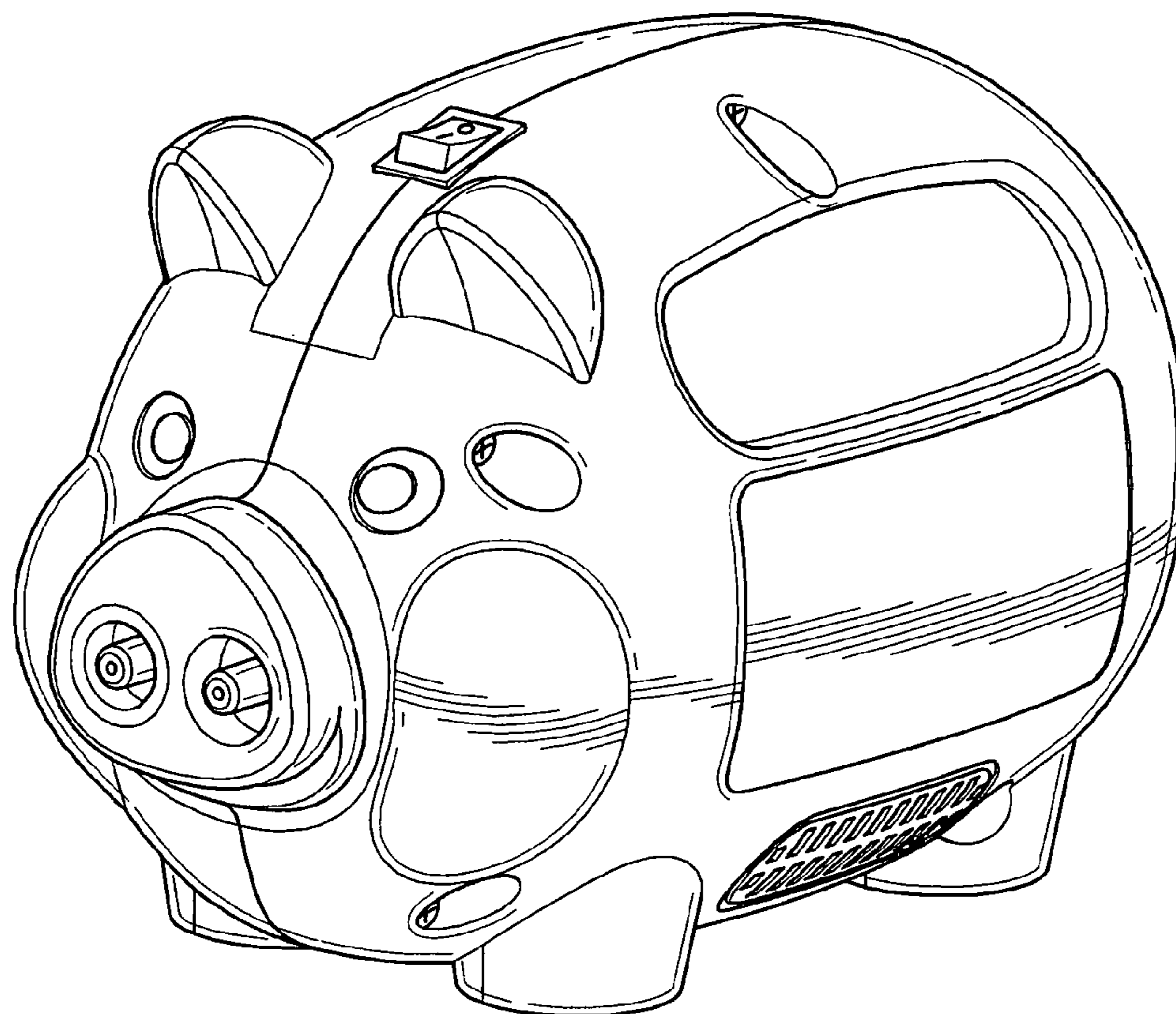
FIG. 4 is a left side elevational view thereof;

FIG. 5 is a right side elevational view thereof;

FIG. 6 is a top plan view thereof; and,

FIG. 7 is a bottom plan view.

1 Claim, 4 Drawing Sheets



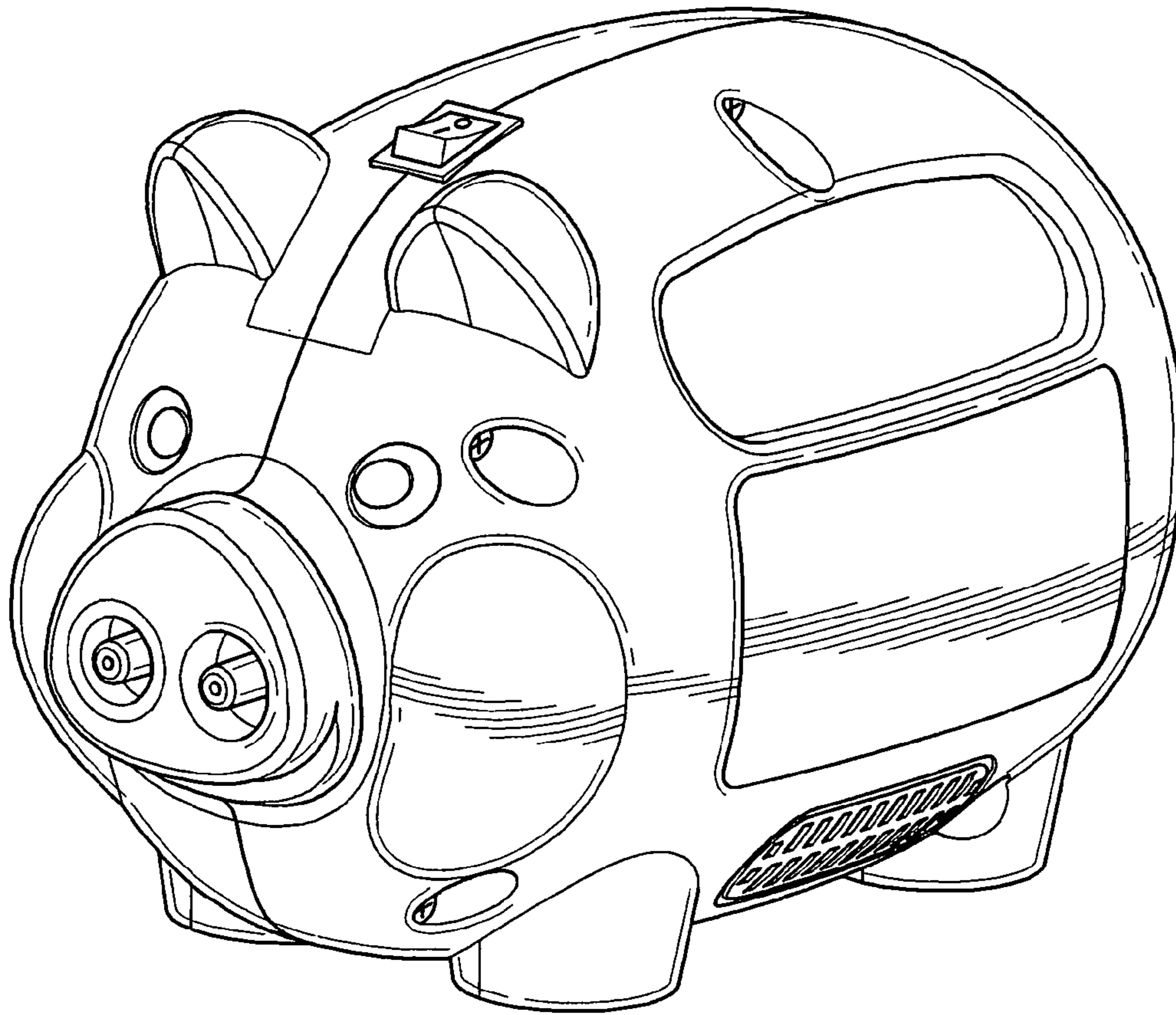


FIG. 1

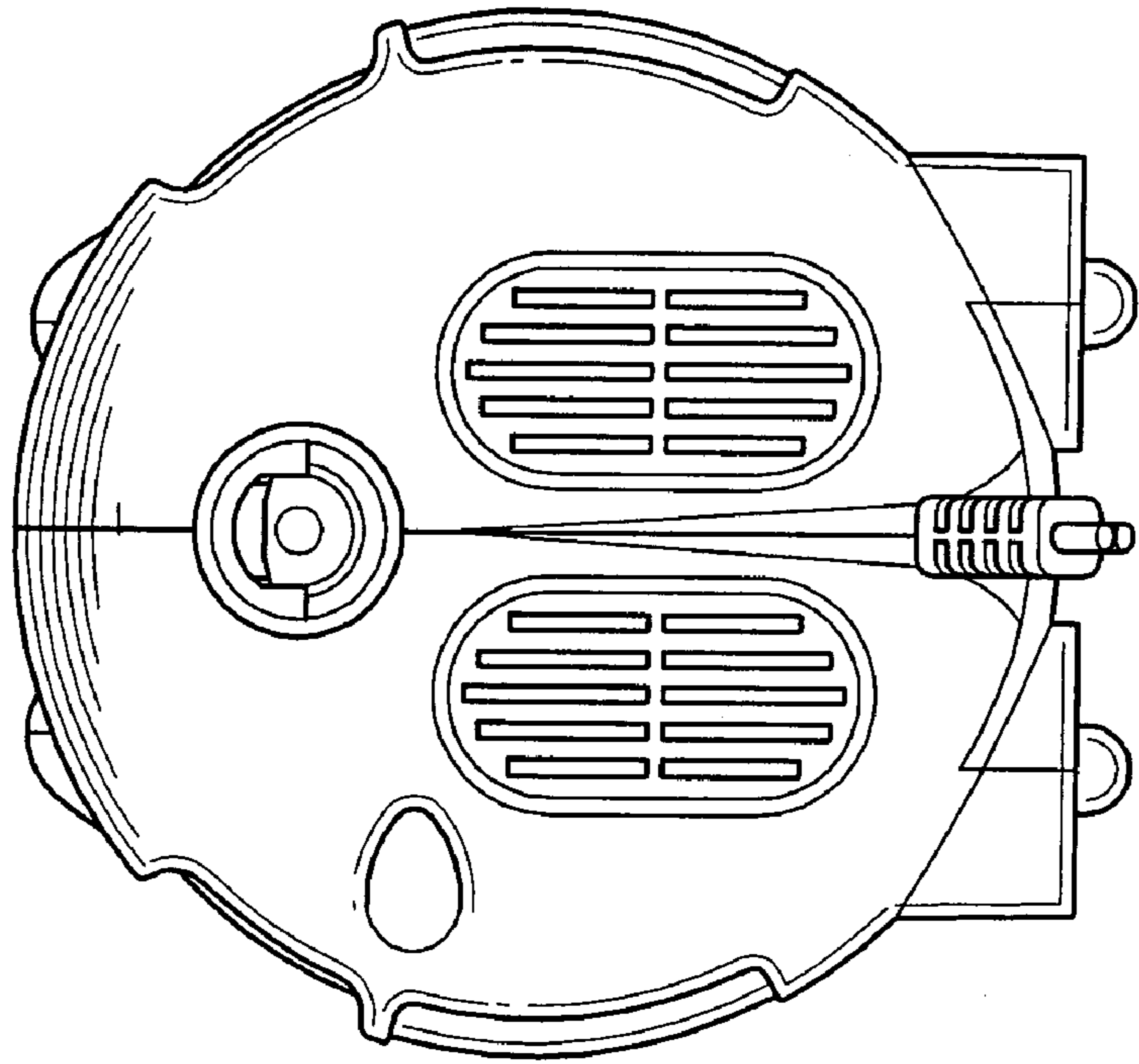


FIG. 2

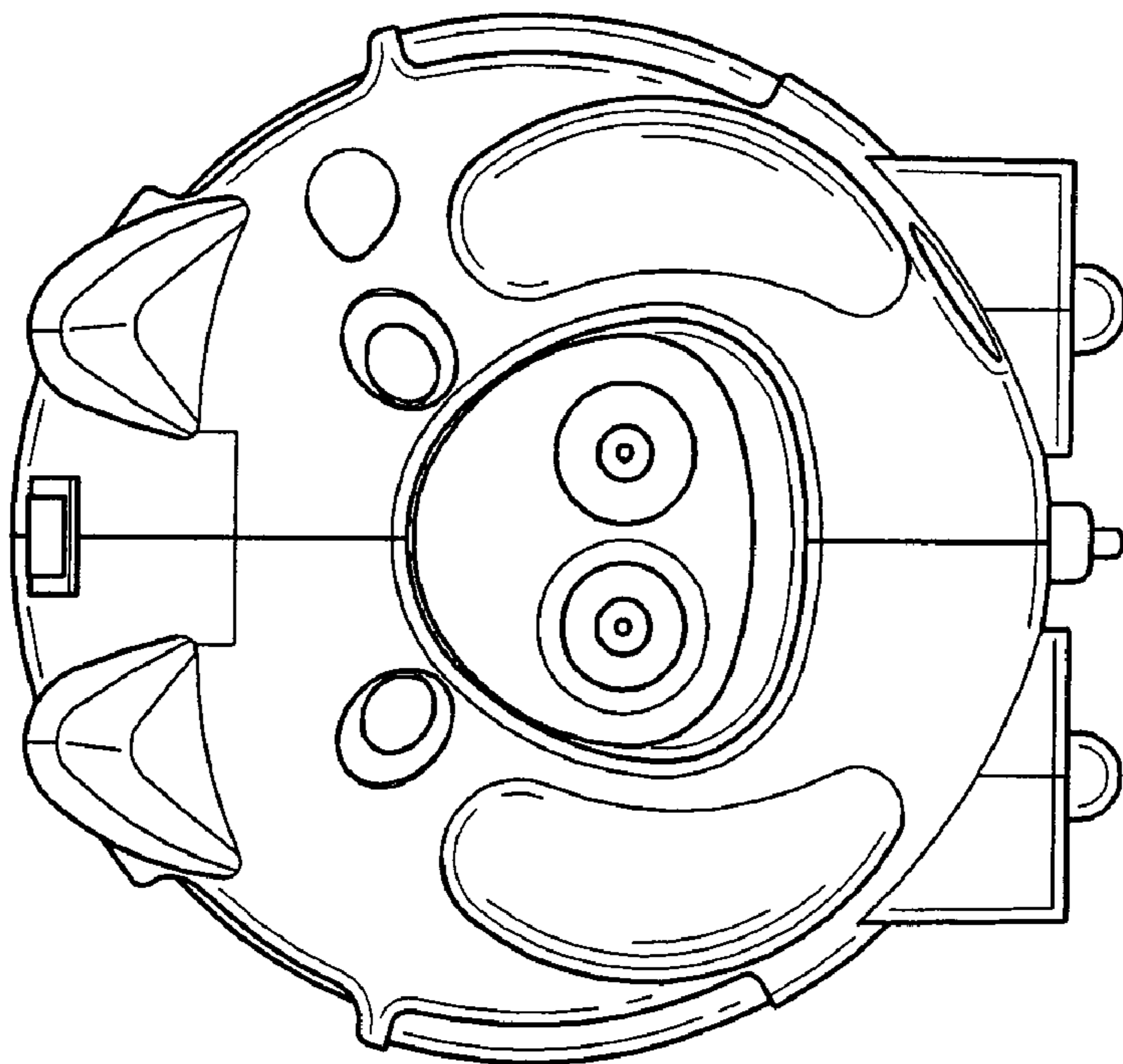


FIG. 3

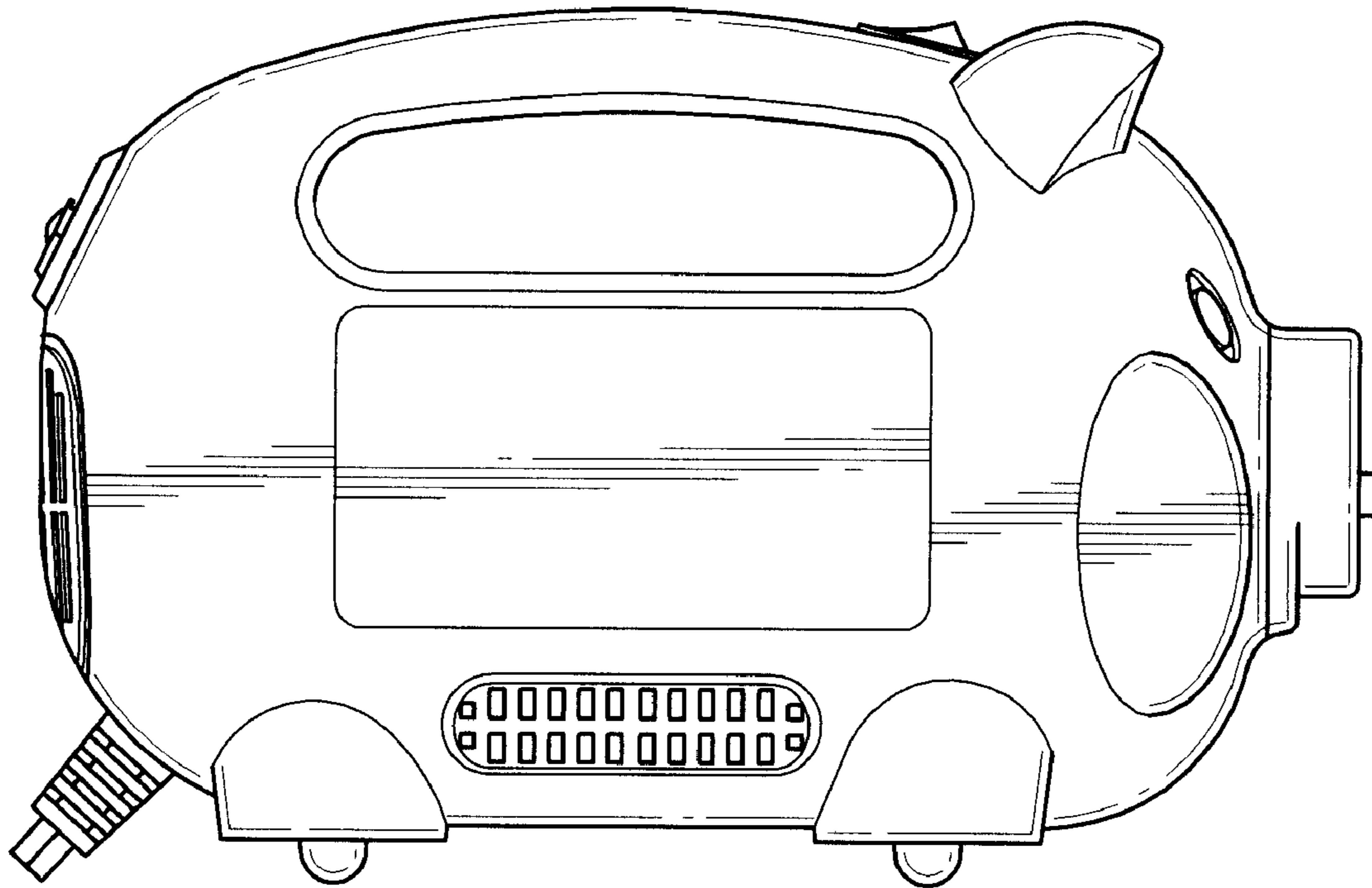


FIG. 4

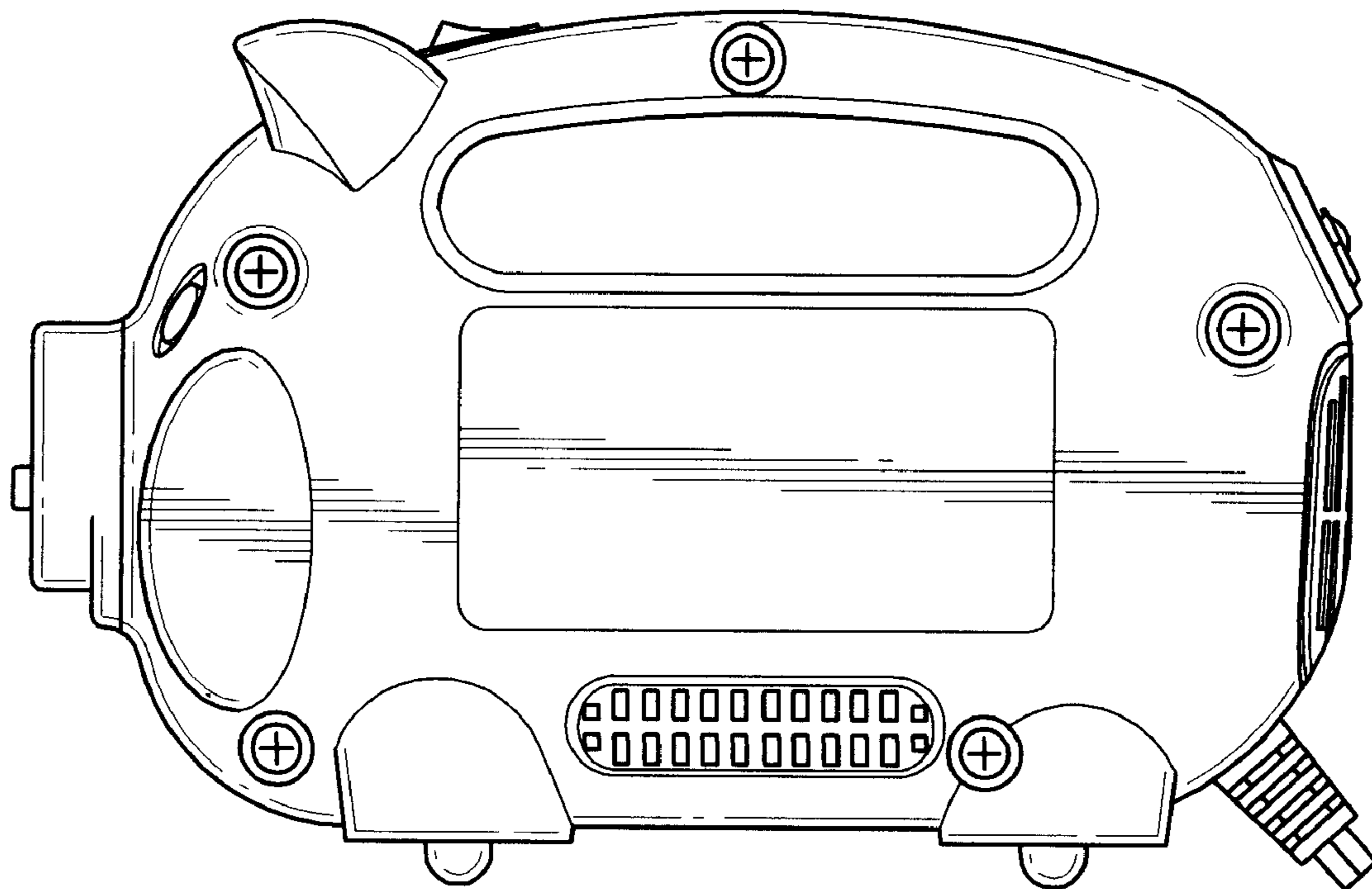


FIG. 5

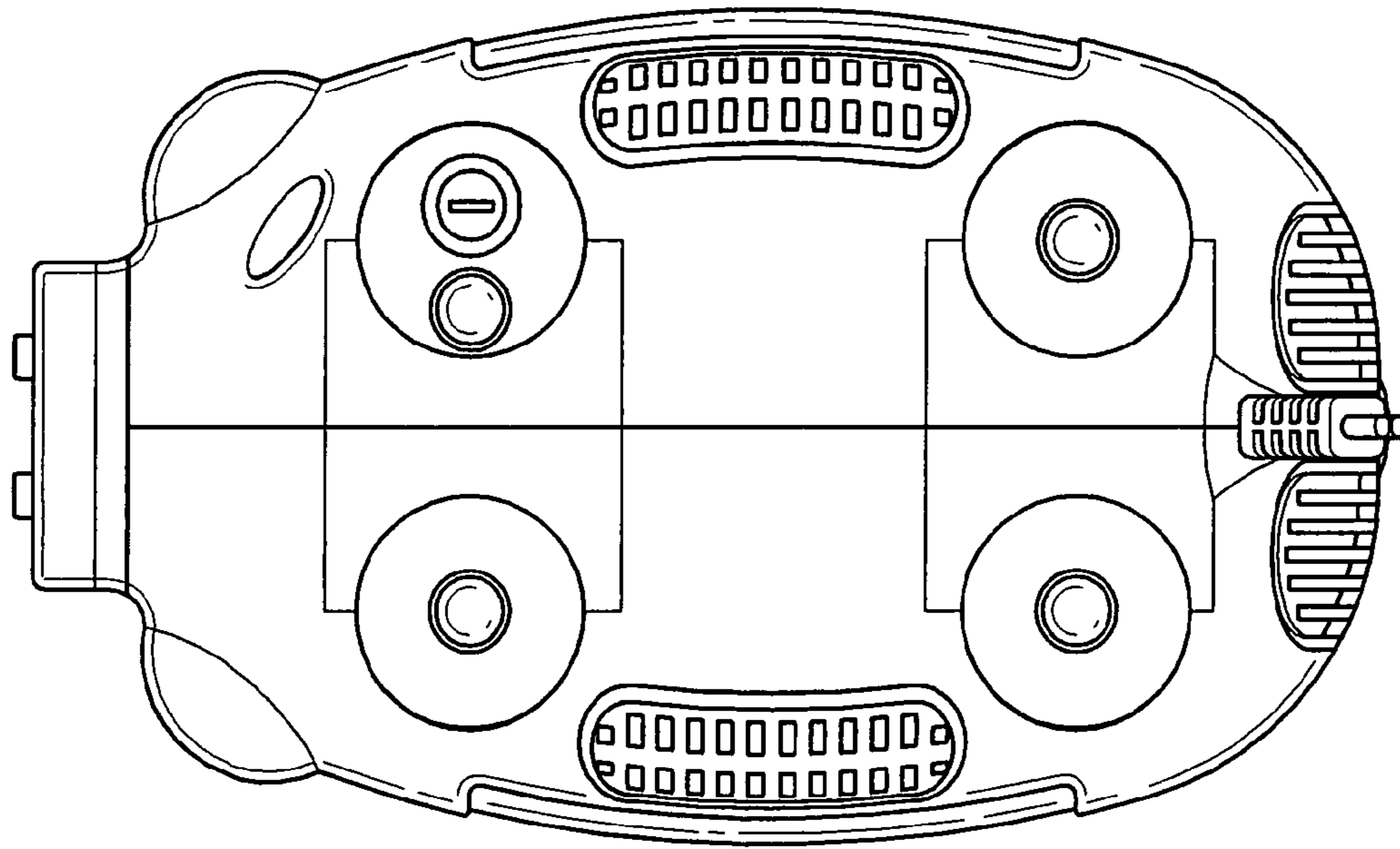


FIG. 7

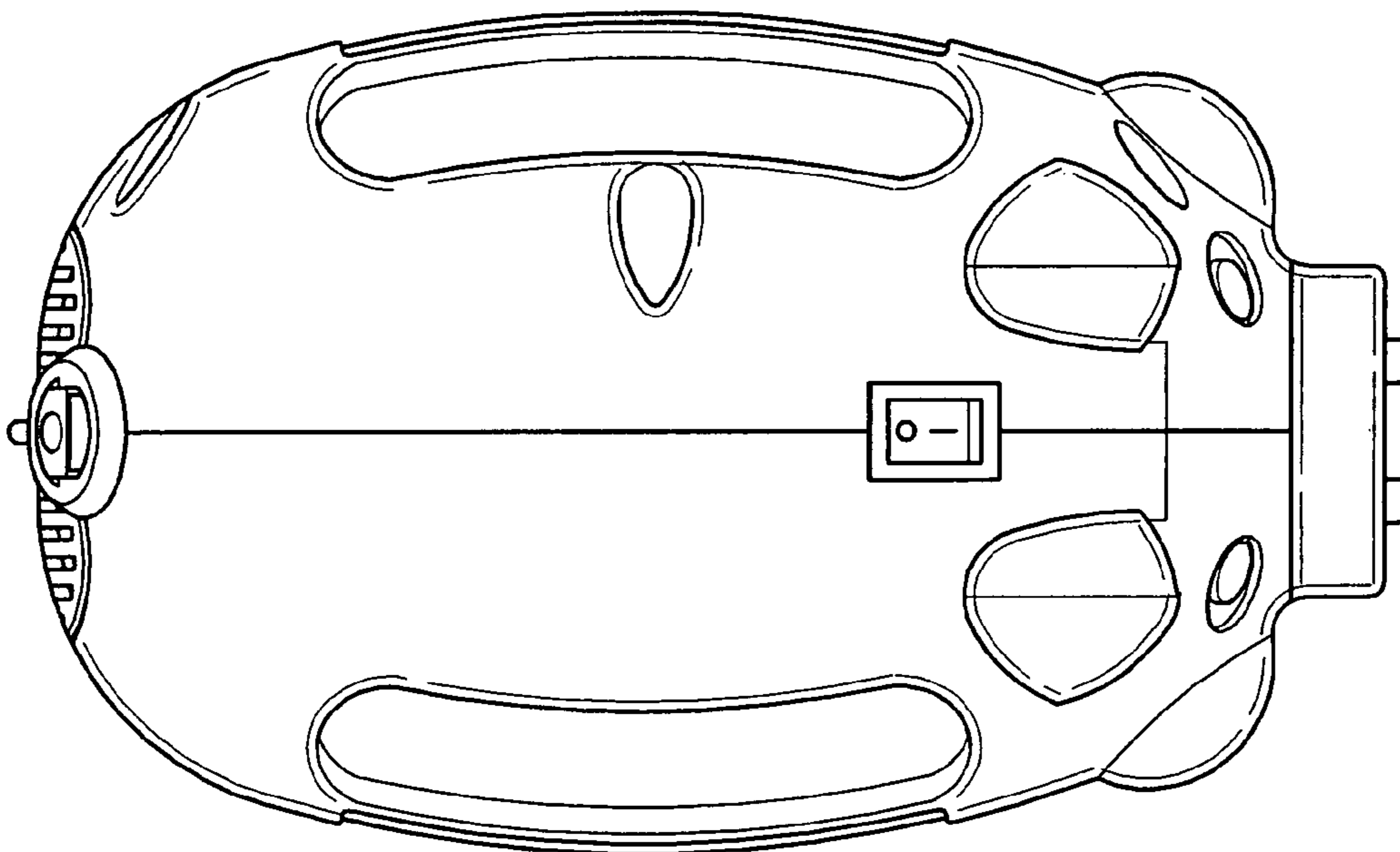


FIG. 6