



US00D548330S

(12) **United States Design Patent**
Cox et al.

(10) **Patent No.:** **US D548,330 S**

(45) **Date of Patent:** **** Aug. 7, 2007**

(54) **EXTENSION FOR A DUST CAP OF A
METERED DOSE INHALER**

7,047,967 B2 * 5/2006 Knudsen 128/202.22
D529,605 S * 10/2006 Huxham et al. D24/110

* cited by examiner

(75) Inventors: **Mark Anthony Cox**, Ware (GB); **Allen
John Pearson**, Huntingdon (GB); **Paul
Kenneth Rand**, Ware (GB)

Primary Examiner—Ian Simmons

Assistant Examiner—Christopher Lee

(74) *Attorney, Agent, or Firm*—James P. Riek

(73) Assignee: **Glaxo Group Limited**, Greenford (GB)

(57) **CLAIM**

(**) Term: **14 Years**

The ornamental design for an extension for a dust cap of a metered dose inhaler, as shown and described.

(21) Appl. No.: **29/248,934**

(22) Filed: **Sep. 12, 2006**

Related U.S. Application Data

(62) Division of application No. 29/225,112, filed on Mar. 11, 2005, now Pat. No. Des. 537,936.

DESCRIPTION

FIG. 1 is a front perspective view of an extension for a dust cap of a metered dose inhaler, as shown and described;

FIG. 2 is a rear view thereof;

FIG. 3 is an underneath plan view thereof;

FIG. 4 is a front view thereof;

FIG. 5 is a plan view thereof;

FIG. 6 is a side view thereof;

FIG. 7 is a front perspective view of a second extension of a cap, as shown and described;

FIG. 8 is a rear view of the extension shown in FIG. 7;

FIG. 9 is an underneath plan view of the extension shown in FIG. 7;

FIG. 10 is a front view of the extension shown in FIG. 7;

FIG. 11 is a plan view of the extension shown in FIG. 7; and,

FIG. 12 is a side view of the extension shown in FIG. 7.

(30) **Foreign Application Priority Data**

Sep. 15, 2004 (GB) 3018741

(51) **LOC (8) Cl.** **29-02**

(52) **U.S. Cl.** **D24/110**

(58) **Field of Classification Search** D24/110;
128/203.22, 203.15, 203.21, 203.23, 200.14,
128/200.23

See application file for complete search history.

(56) **References Cited**

U.S. PATENT DOCUMENTS

5,899,200 A * 5/1999 McNary 128/200.14

6,672,304 B1 * 1/2004 Casper et al. 128/200.23

1 Claim, 2 Drawing Sheets

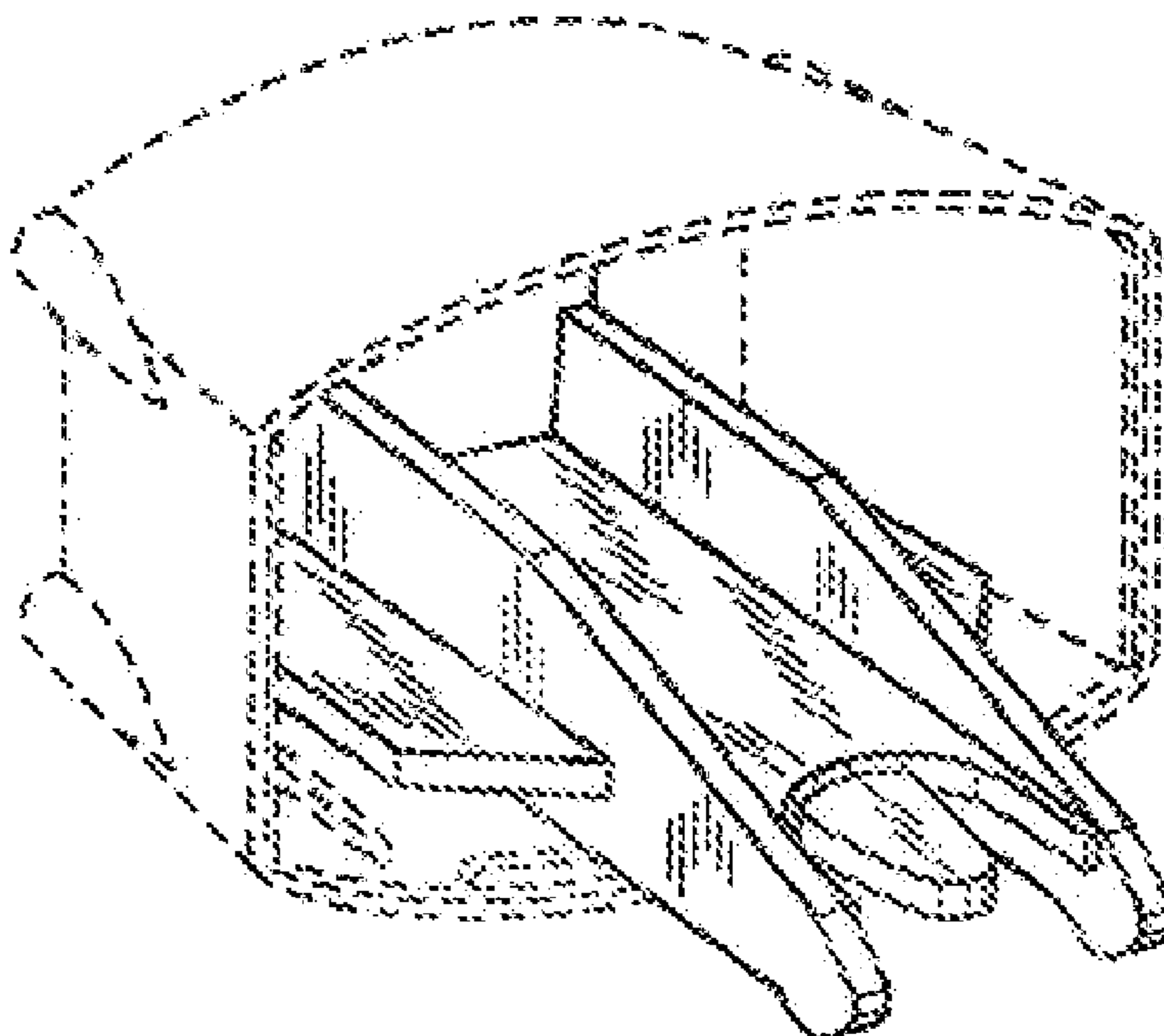


FIG. 1

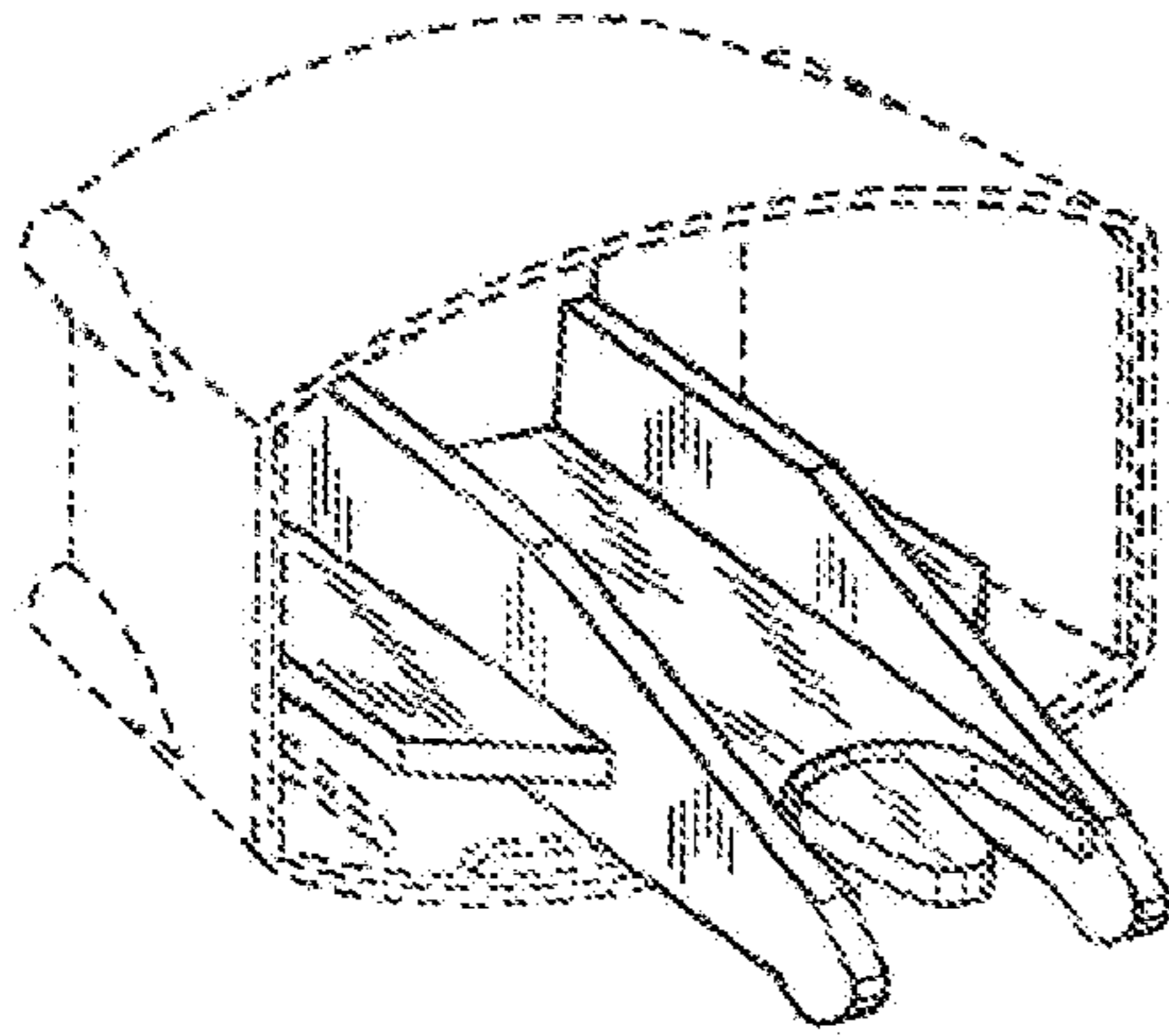


FIG. 2

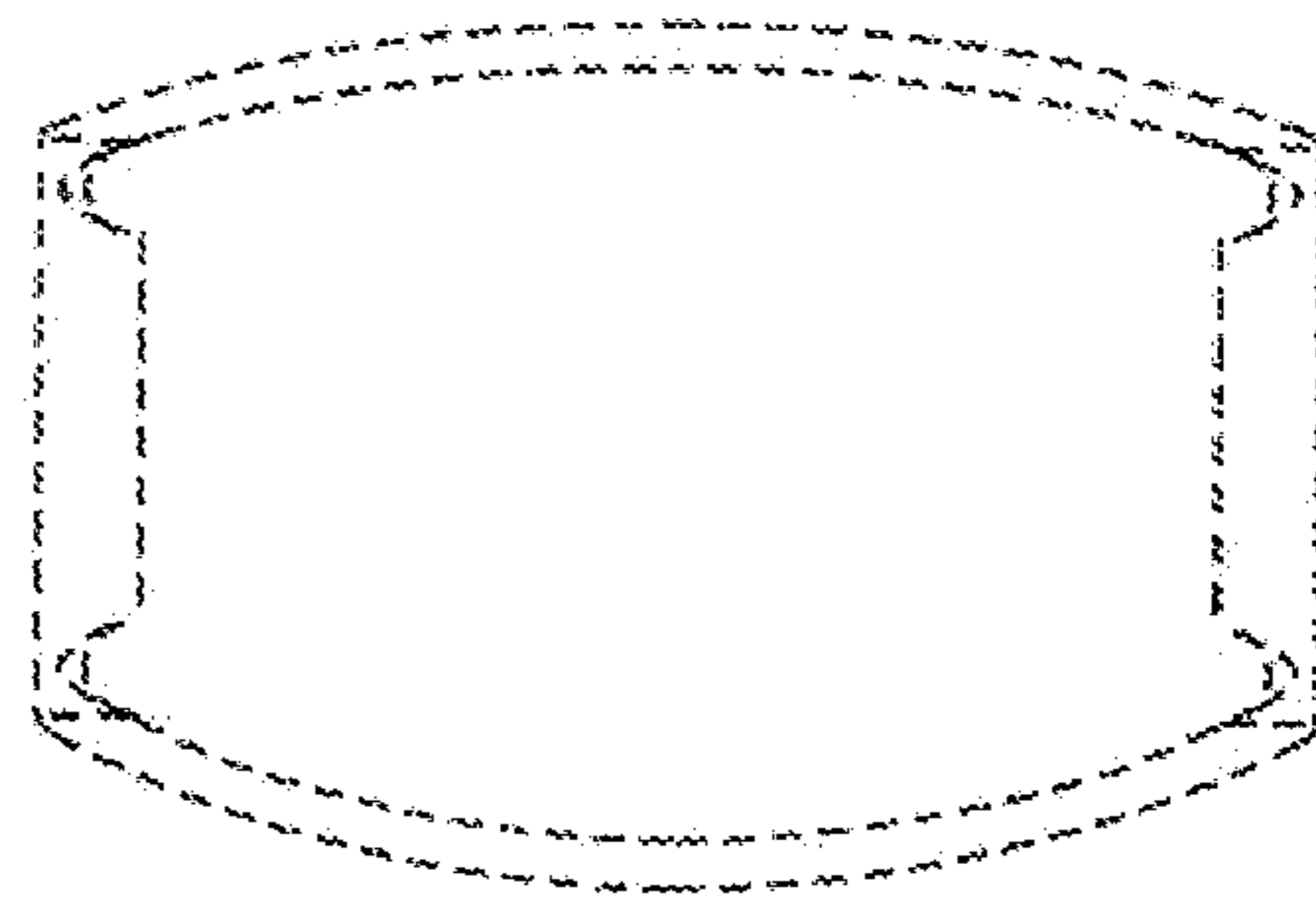


FIG. 3

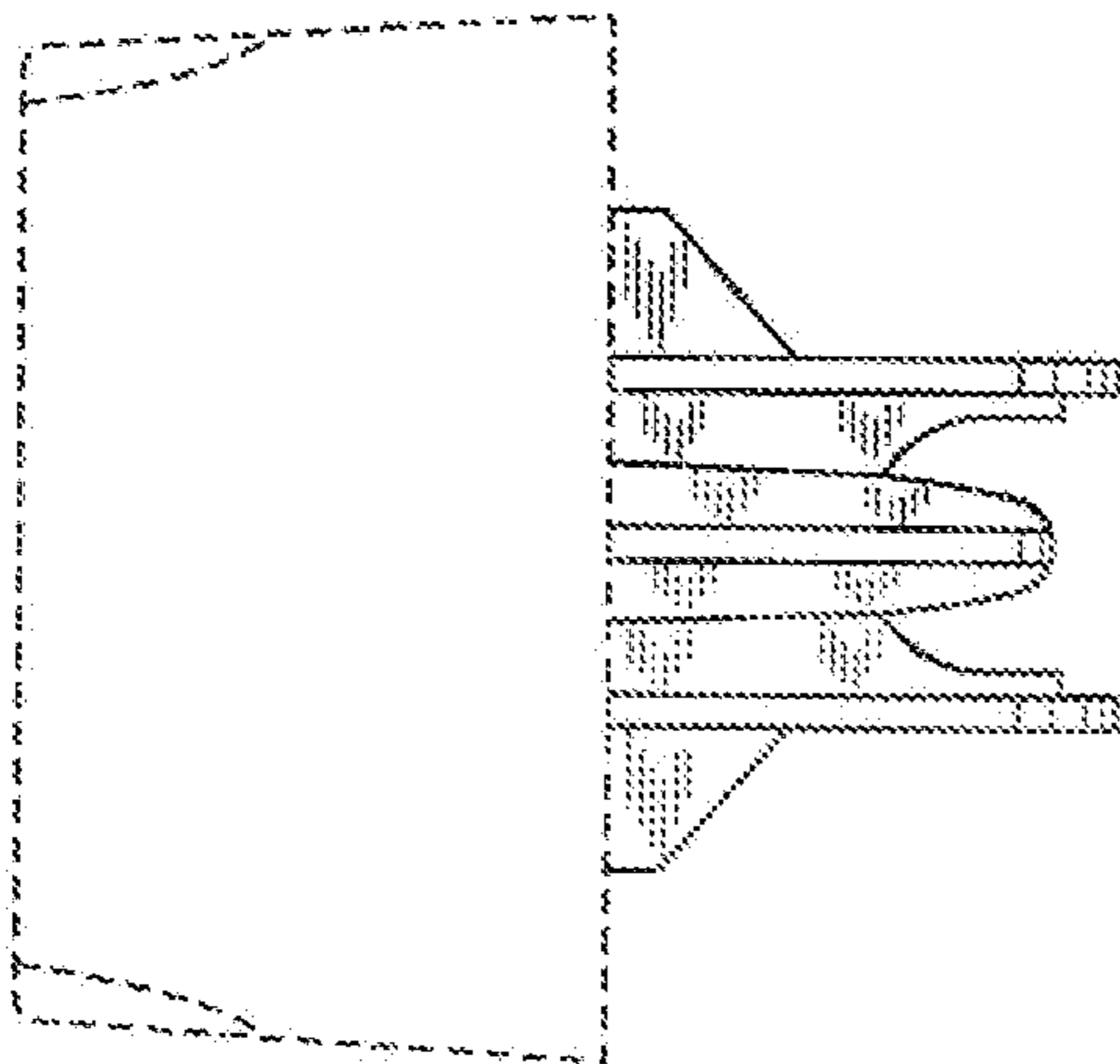


FIG. 4

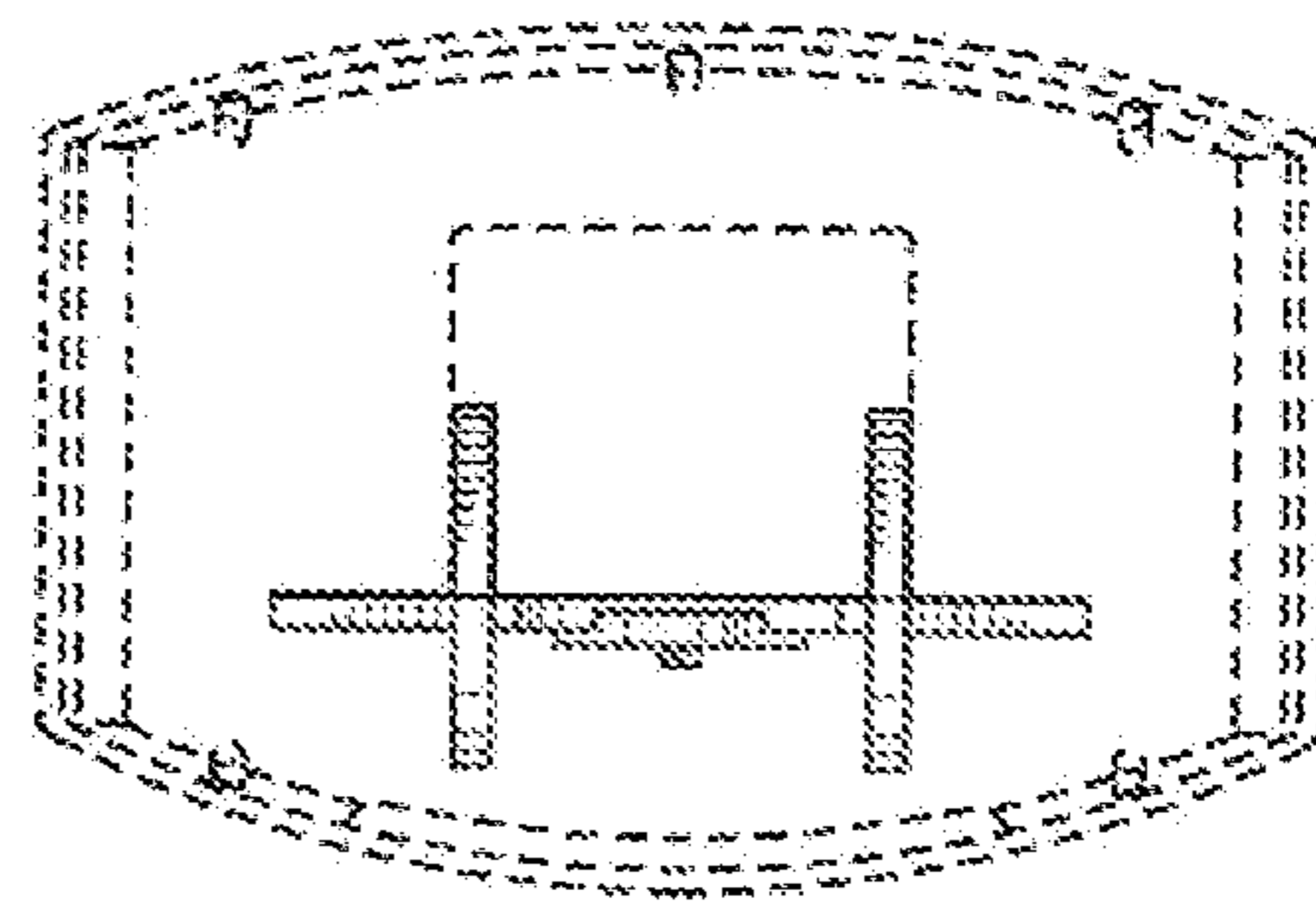


FIG. 5

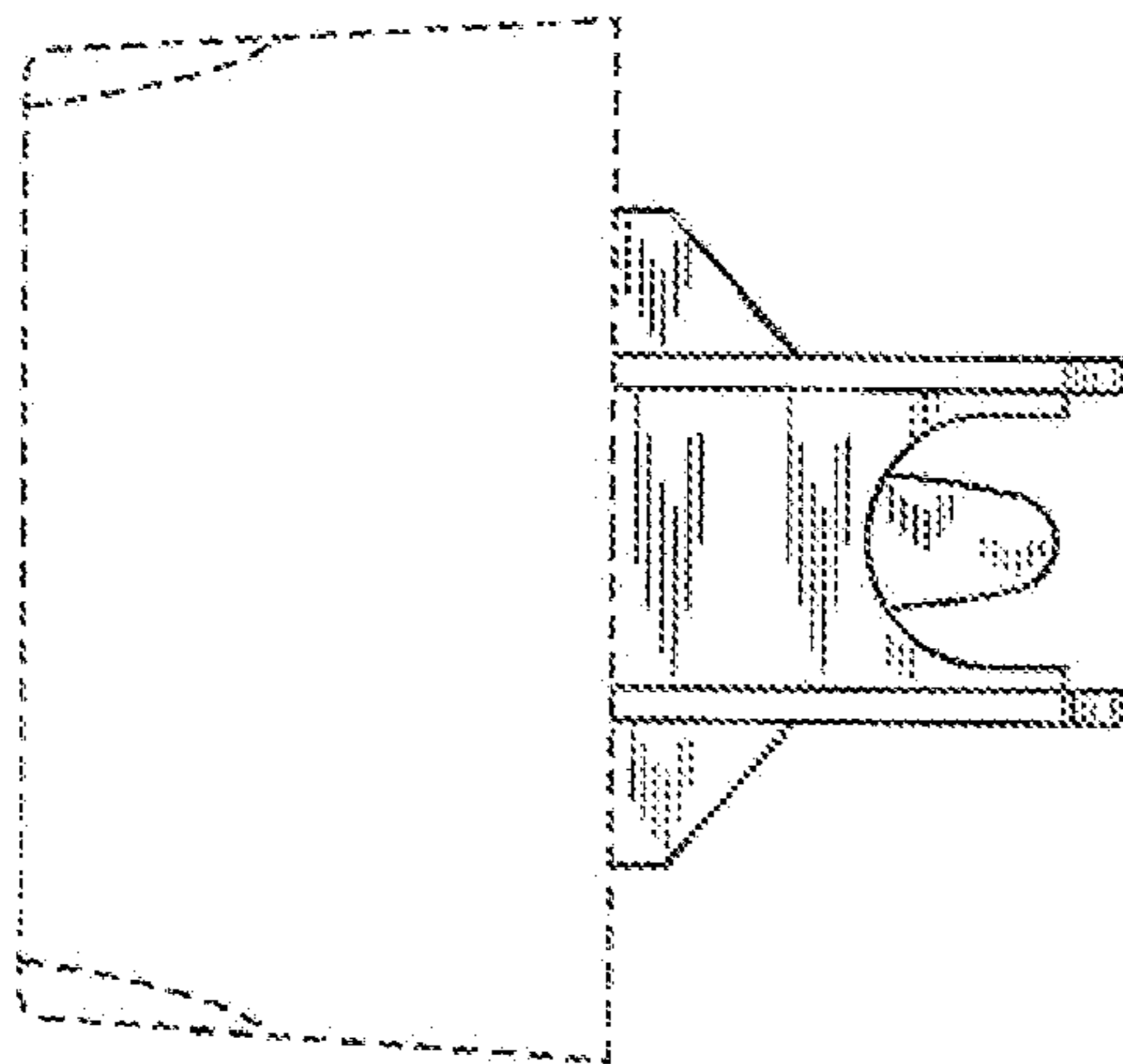


FIG. 6

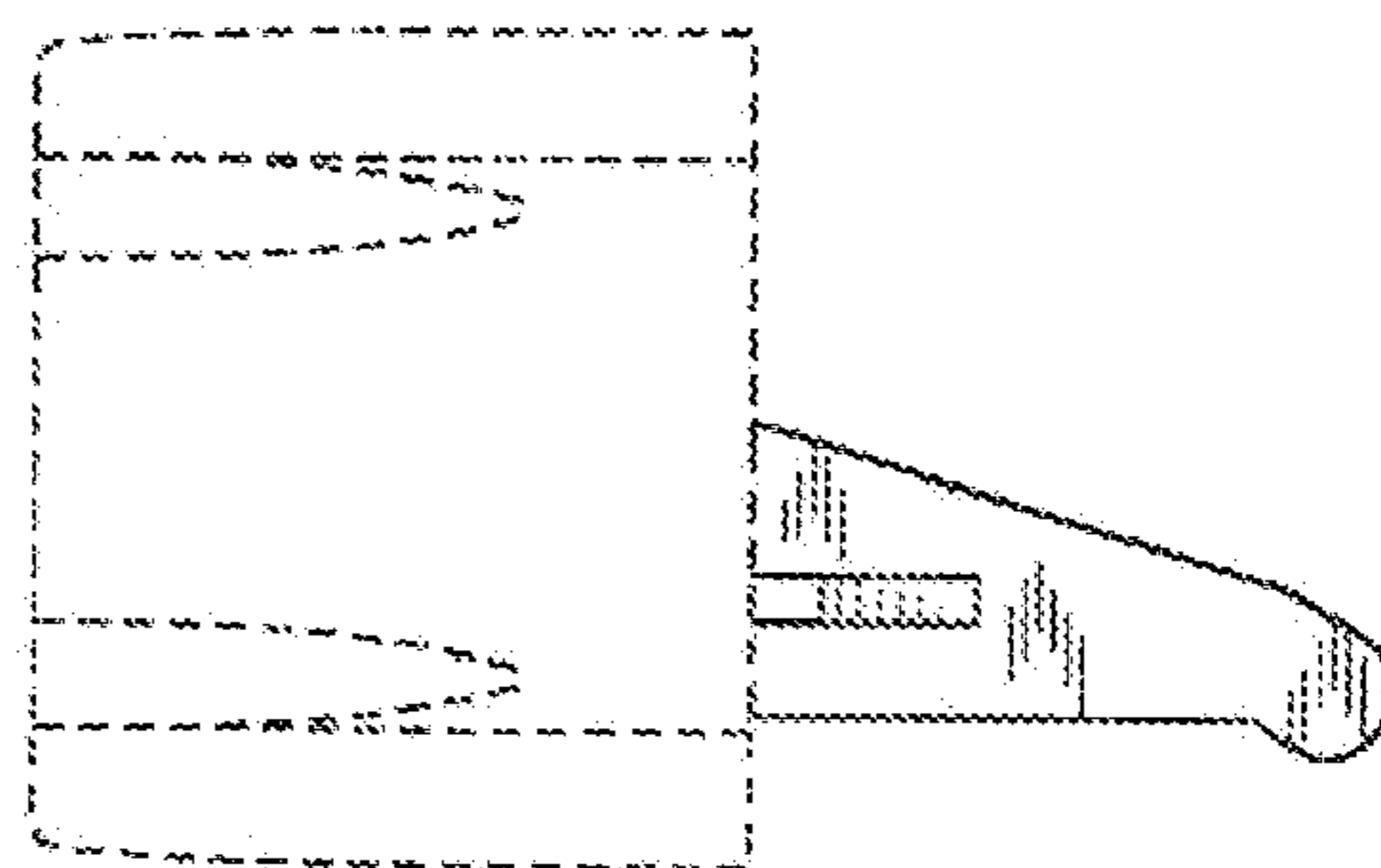


FIG. 7

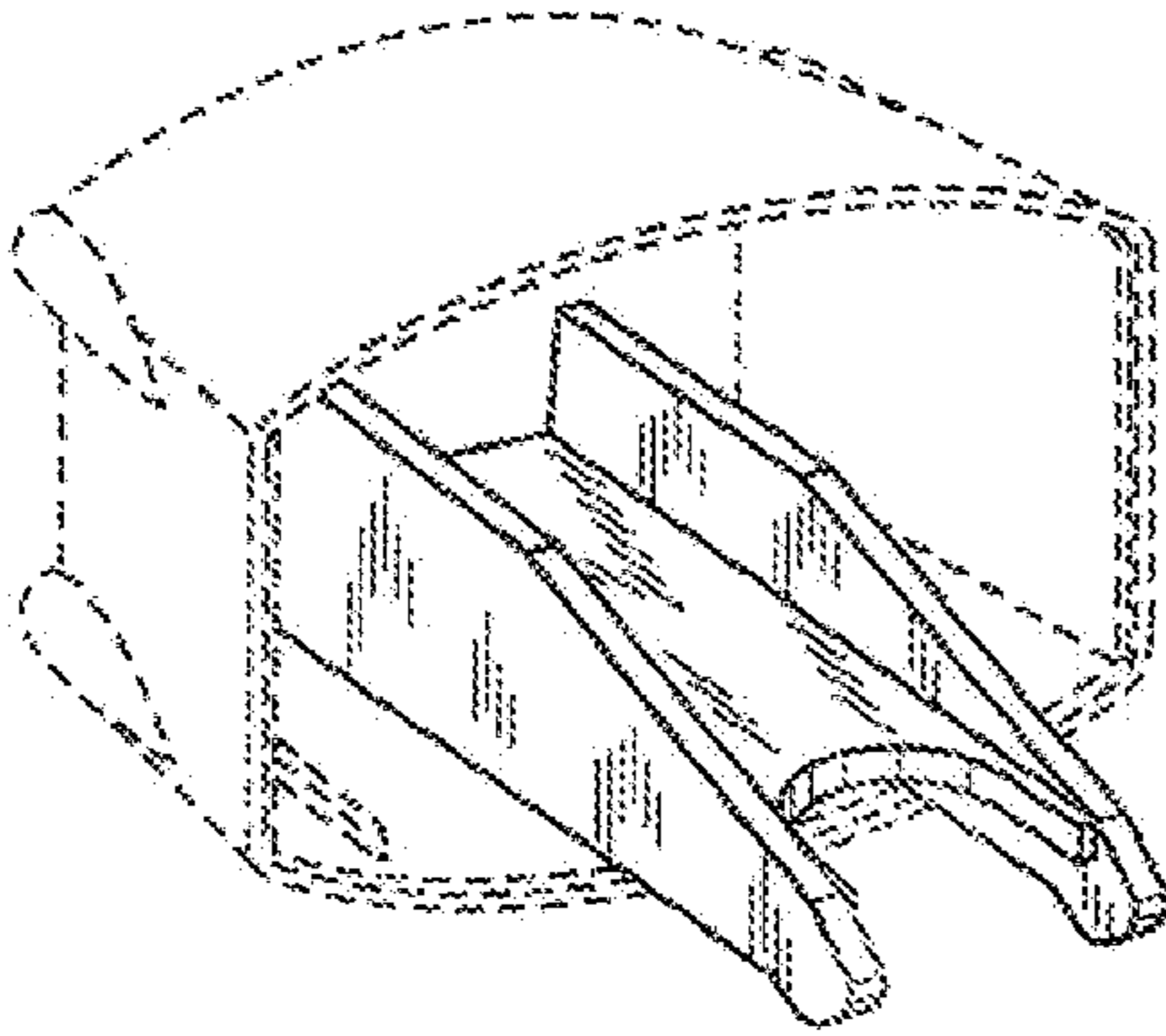


FIG. 8

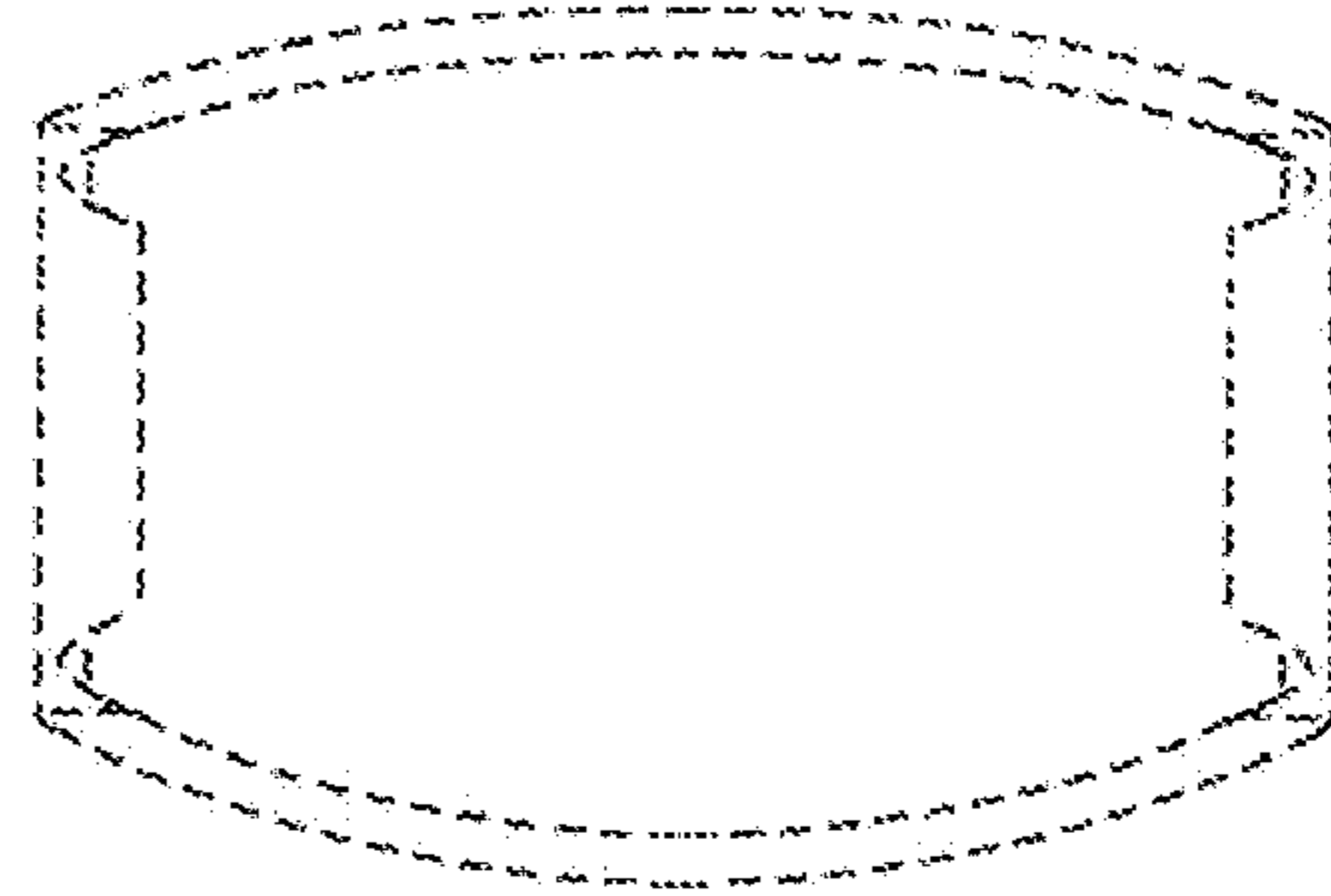


FIG. 9

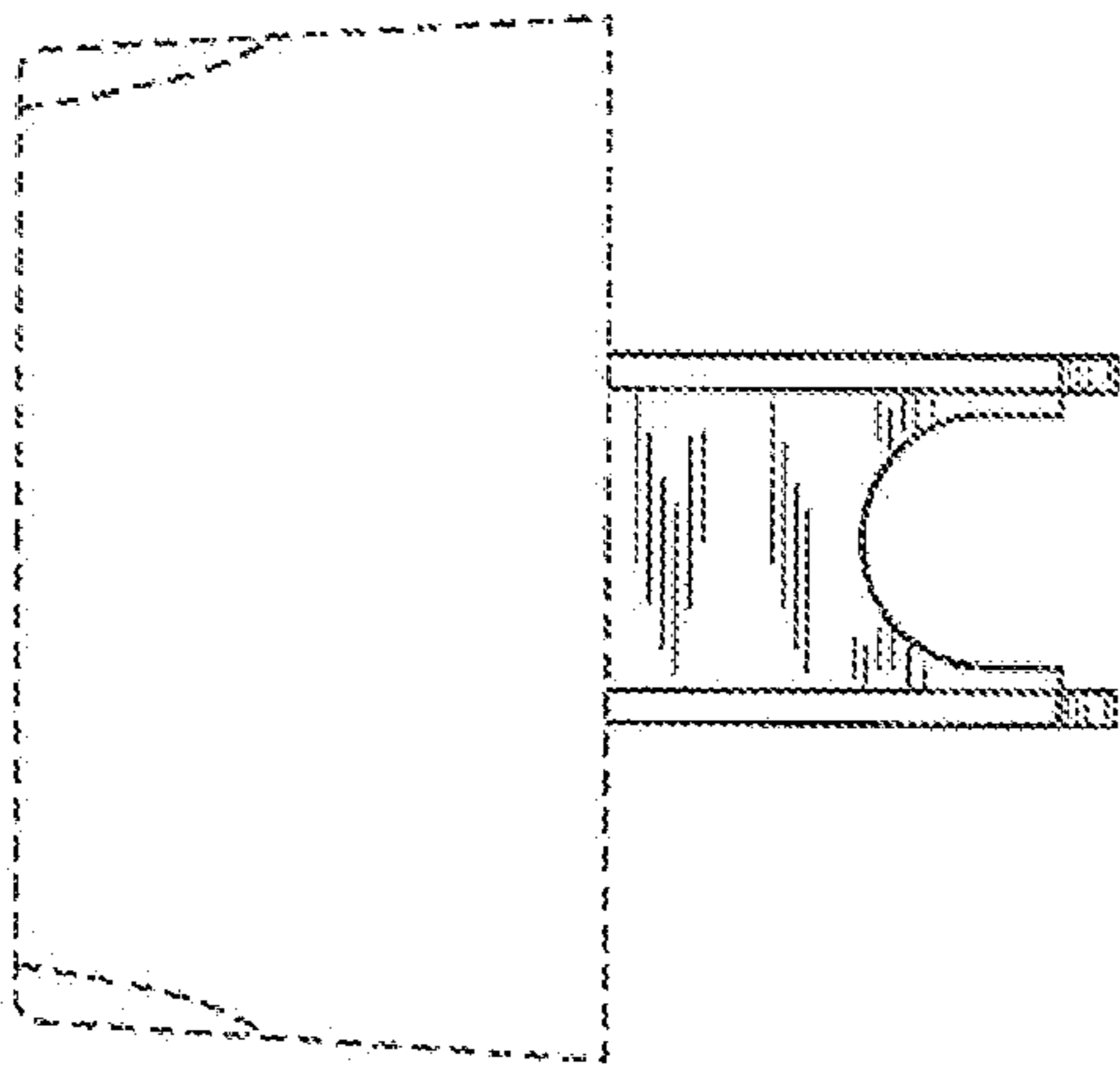


FIG. 10

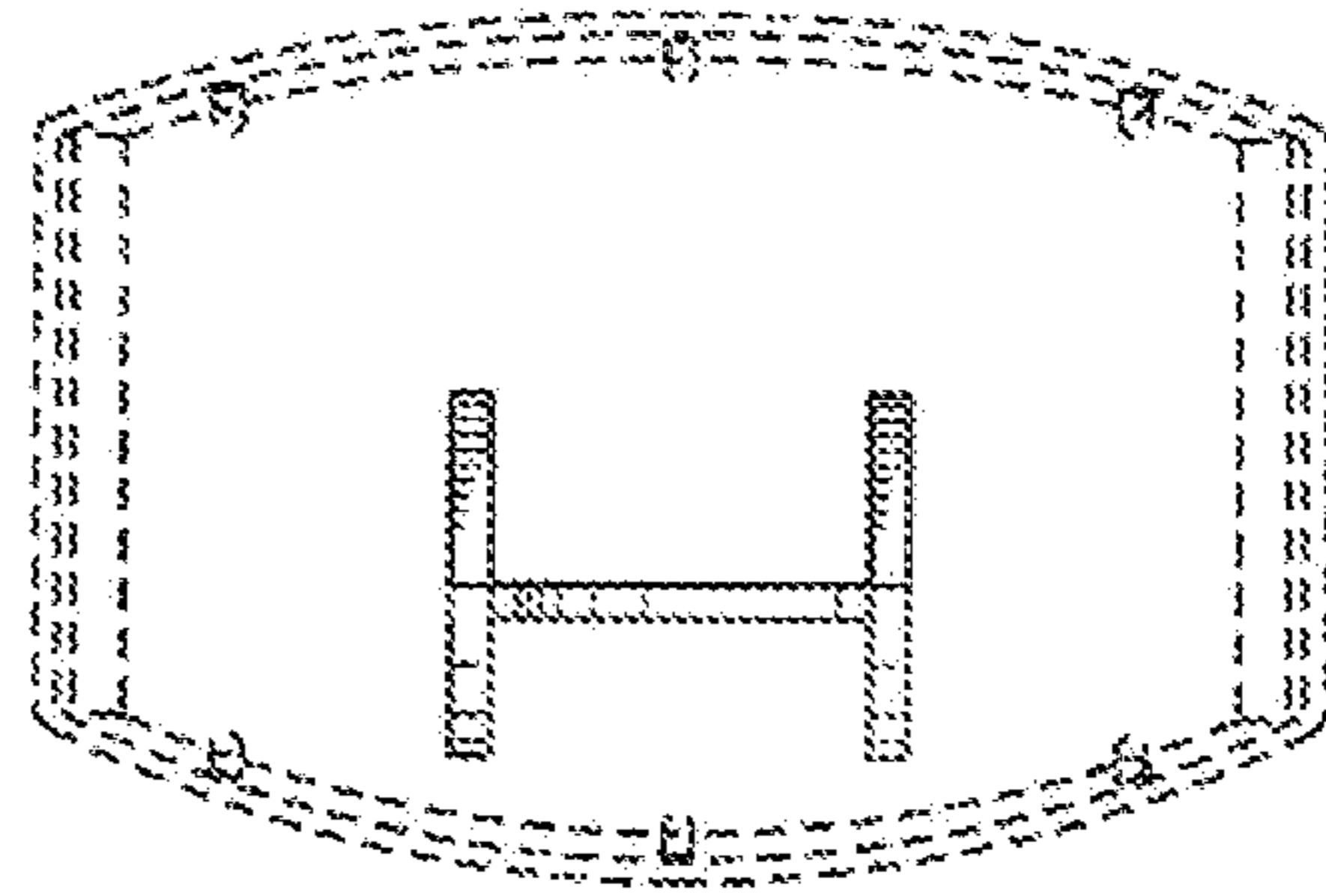


FIG. 11

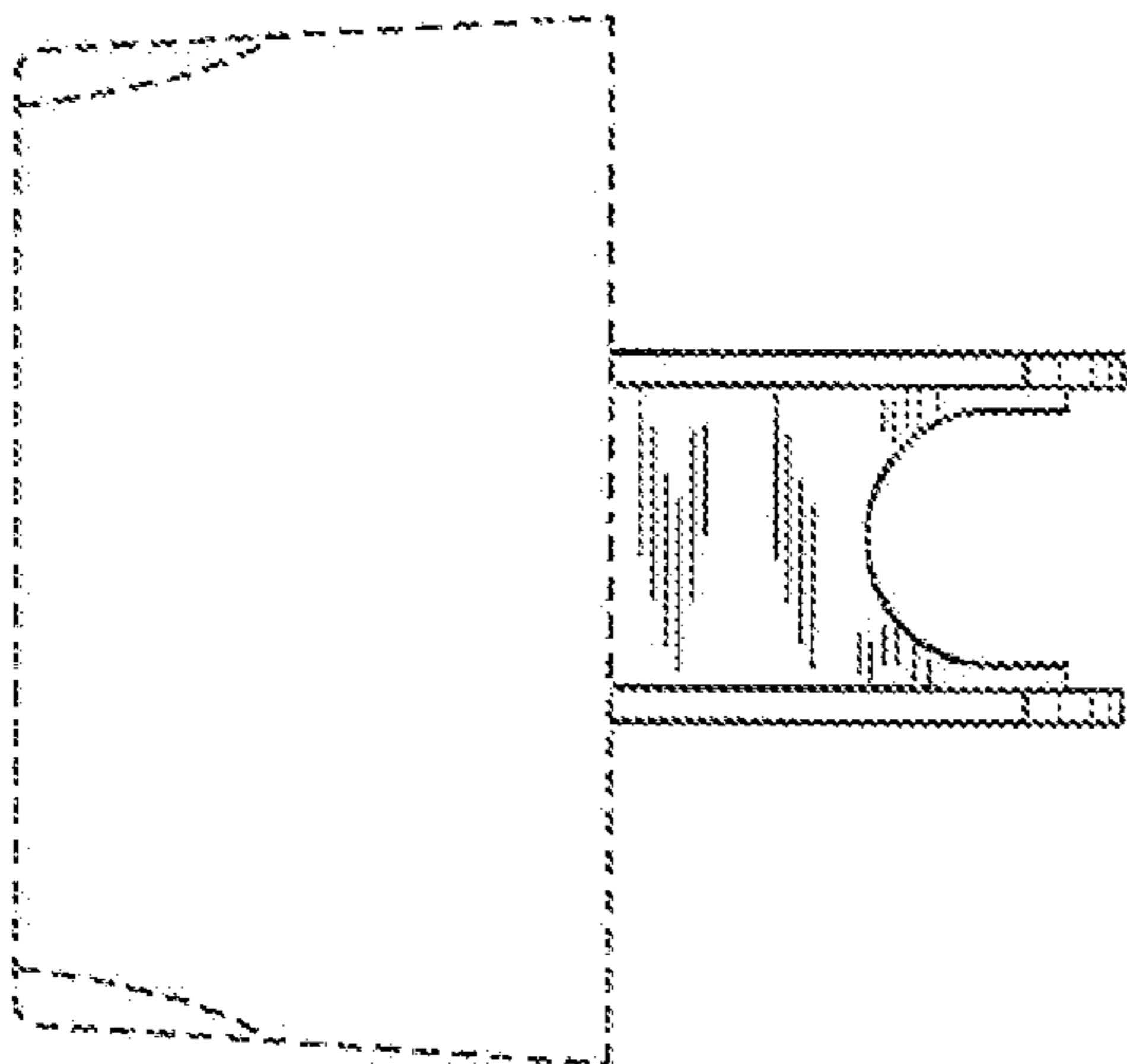


FIG. 12

