



US00D548329S

(12) **United States Design Patent**
Cimino

(10) **Patent No.:** **US D548,329 S**

(45) **Date of Patent:** **** Aug. 7, 2007**

(54) **ASPIRATION CANISTER**

(75) Inventor: **William W. Cimino**, Louisville, CO
(US)

(73) Assignee: **Sound Surgical Technologies LLC**,
Louisville, CO (US)

(**) Term: **14 Years**

(21) Appl. No.: **29/275,933**

(22) Filed: **Jan. 10, 2007**

Related U.S. Application Data

(62) Division of application No. 29/205,434, filed on May
14, 2004.

(51) **LOC (8) Cl.** **24-01**

(52) **U.S. Cl.** **D24/108; D24/121; D24/224**

(58) **Field of Classification Search** D24/108,
D24/115, 121, 224, 229; 604/4.01, 6.11,
604/73, 317, 319-322, 615; 137/205; 128/200.14
See application file for complete search history.

(56) **References Cited**

U.S. PATENT DOCUMENTS

D213,292 S *	2/1969	Arsensault	D24/121
D228,888 S *	10/1973	Feldman	D9/451
D231,031 S *	3/1974	Hinnenkamp	D24/144
3,811,485 A *	5/1974	Holbrook	141/59
4,335,730 A *	6/1982	Griffin	600/573
4,706,720 A *	11/1987	Pattison et al.	141/327

5,356,398 A *	10/1994	Willis	604/321
D383,214 S *	9/1997	Brennan	D24/224
D401,697 S *	11/1998	Cloonan et al.	D24/224
5,944,703 A *	8/1999	Dixon et al.	604/319
D425,618 S *	5/2000	Niermann et al.	D24/122
6,155,987 A *	12/2000	Scherl	600/562
6,171,261 B1 *	1/2001	Niermann et al.	600/573
D522,145 S *	5/2006	Best et al.	D24/224
2004/0122383 A1 *	6/2004	Romano et al.	604/319
2005/0101922 A1 *	5/2005	Anderson et al.	604/317

* cited by examiner

Primary Examiner—Carol Rademaker

Assistant Examiner—Anna Burmeister

(74) *Attorney, Agent, or Firm*—Merchant & Gould, P.C.

(57) **CLAIM**

The ornamental design for an aspiration canister, as shown
and described.

DESCRIPTION

FIG. 1 is a perspective view of the aspiration canister
showing my new design;

FIG. 2 is a front elevational view thereof;

FIG. 3 is a rear elevational view thereof;

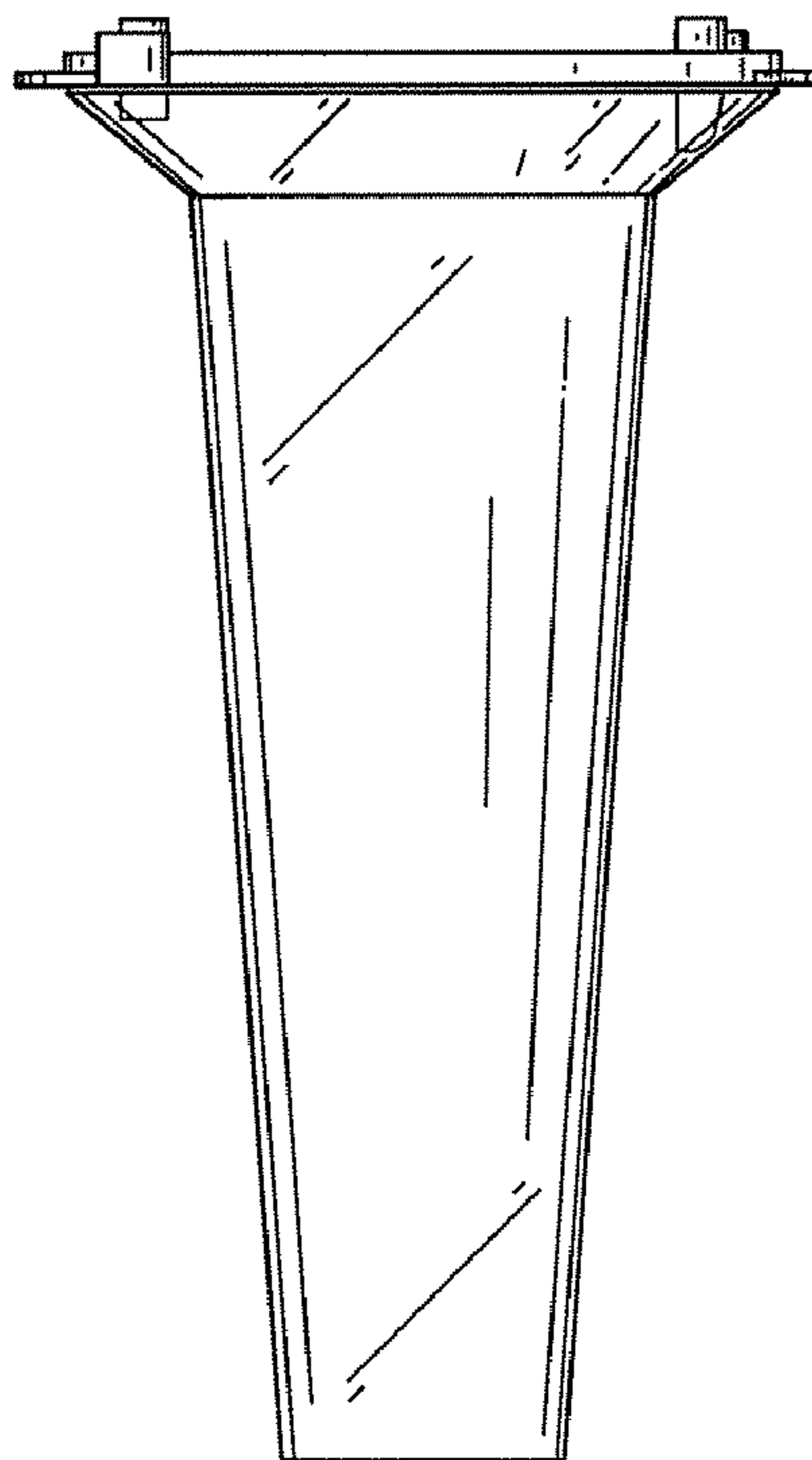
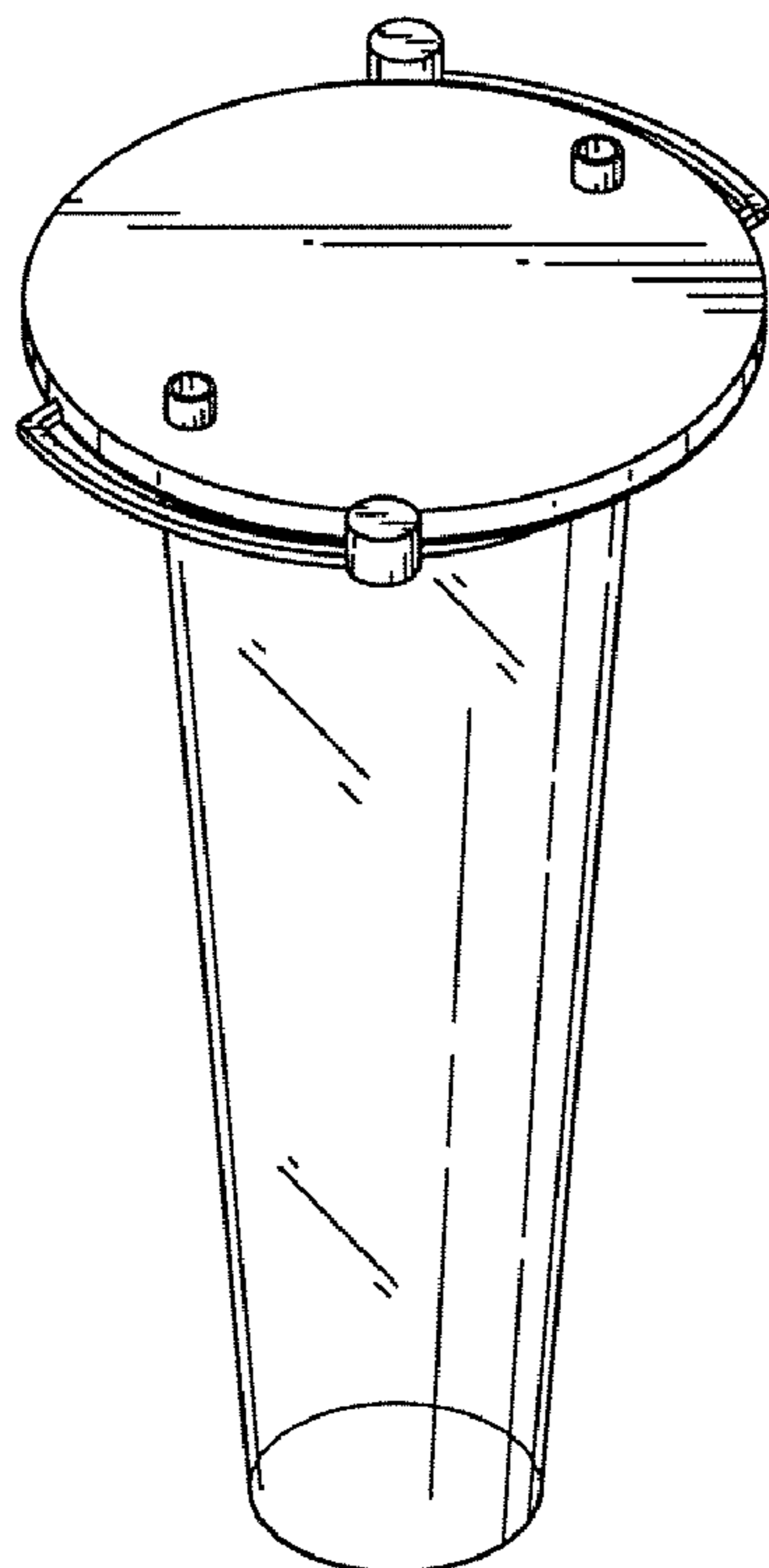
FIG. 4 is a right side elevational view thereof;

FIG. 5 is a left side elevational view thereof;

FIG. 6 is a top plan view thereof; and,

FIG. 7 is a bottom plan view thereof.

1 Claim, 4 Drawing Sheets



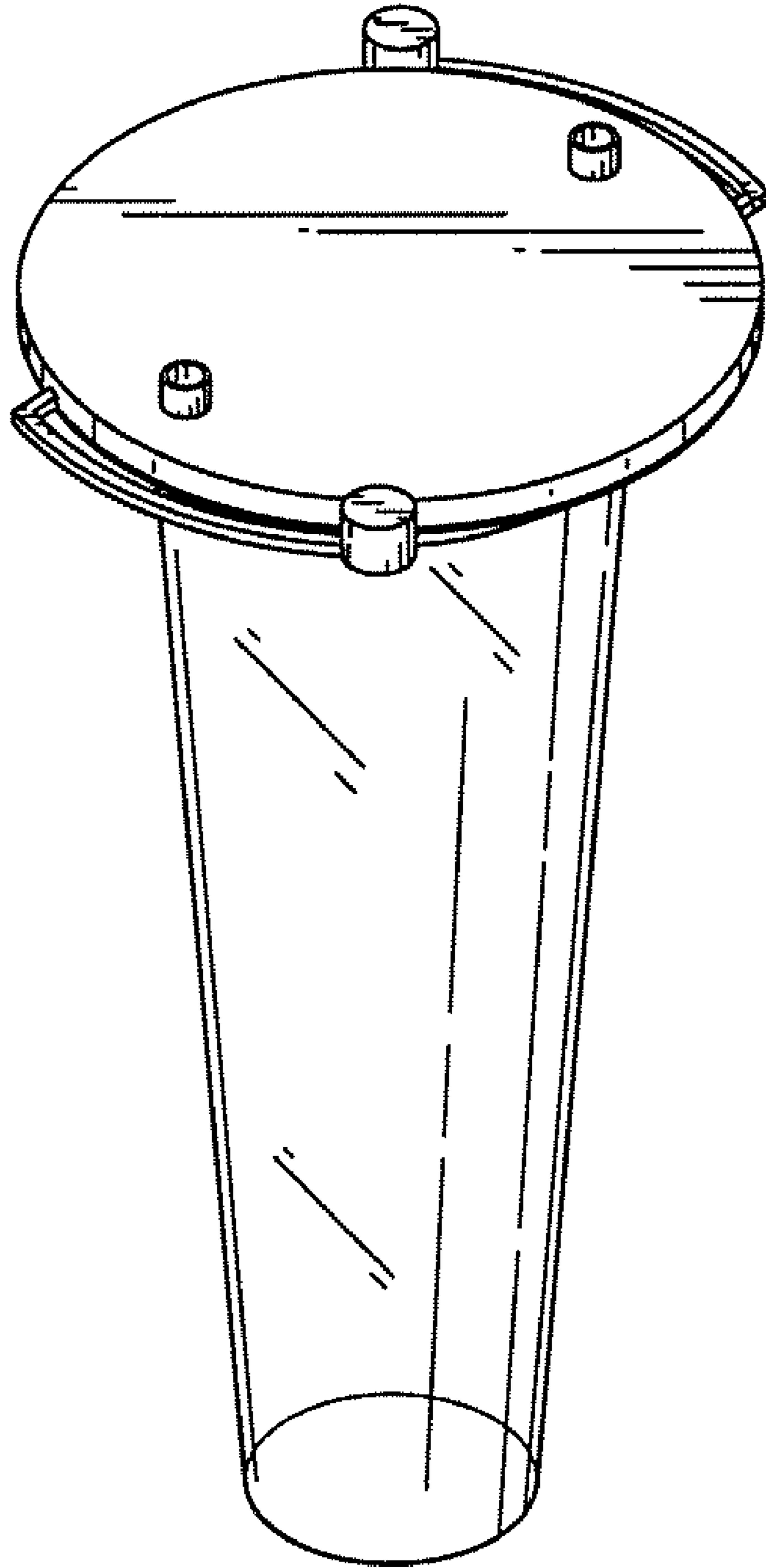


FIG. 1

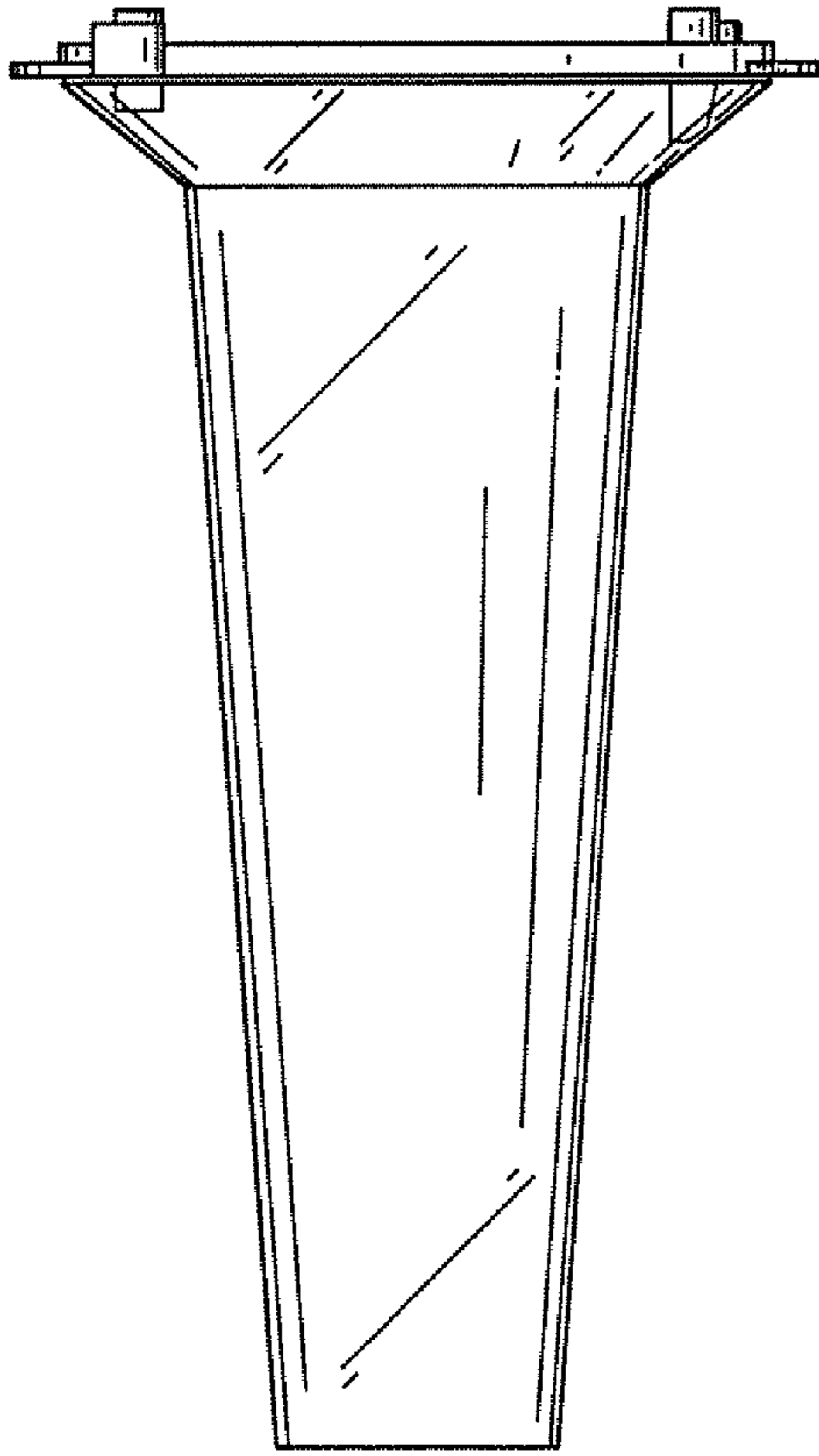


FIG. 2

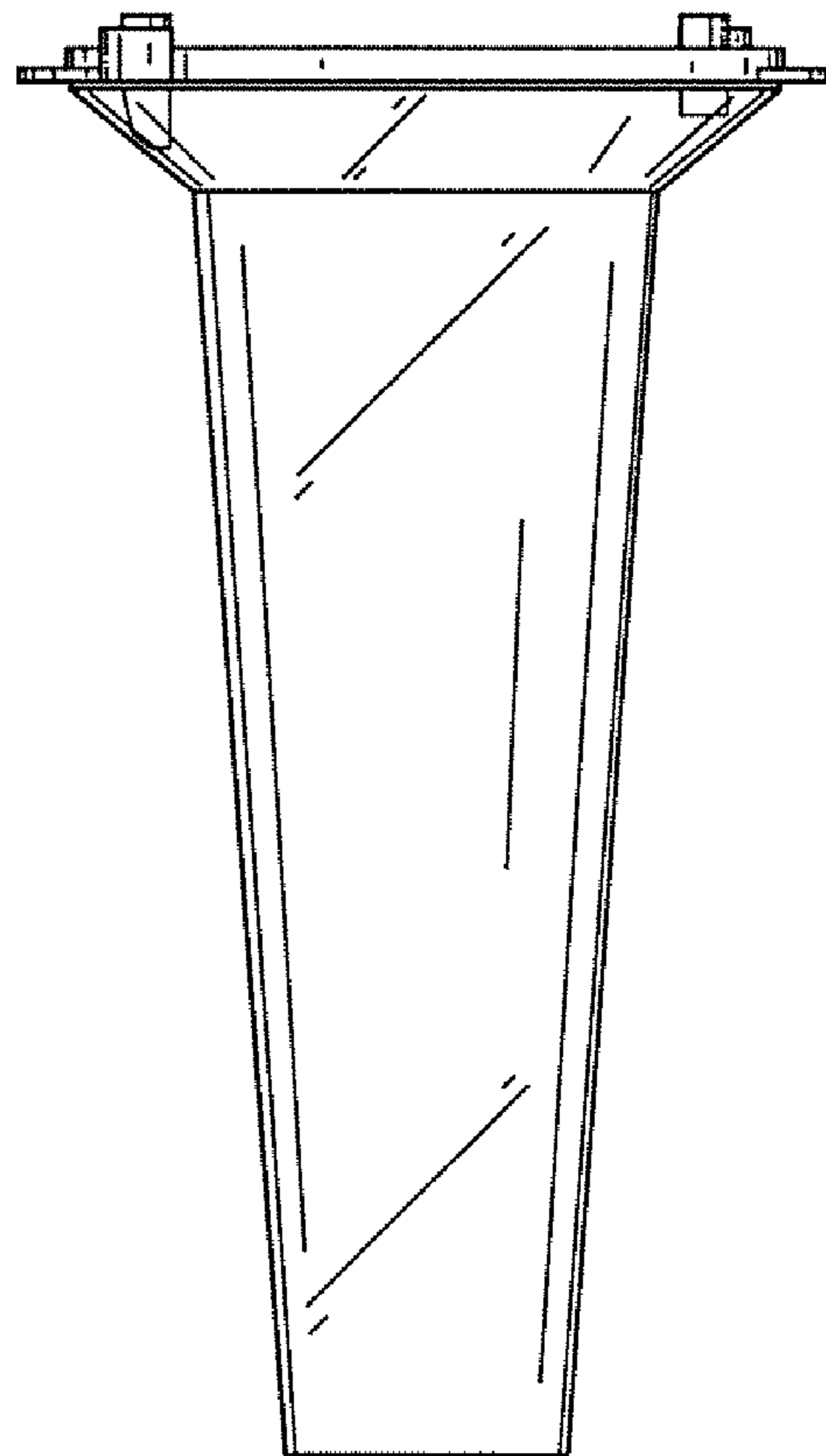


FIG. 3

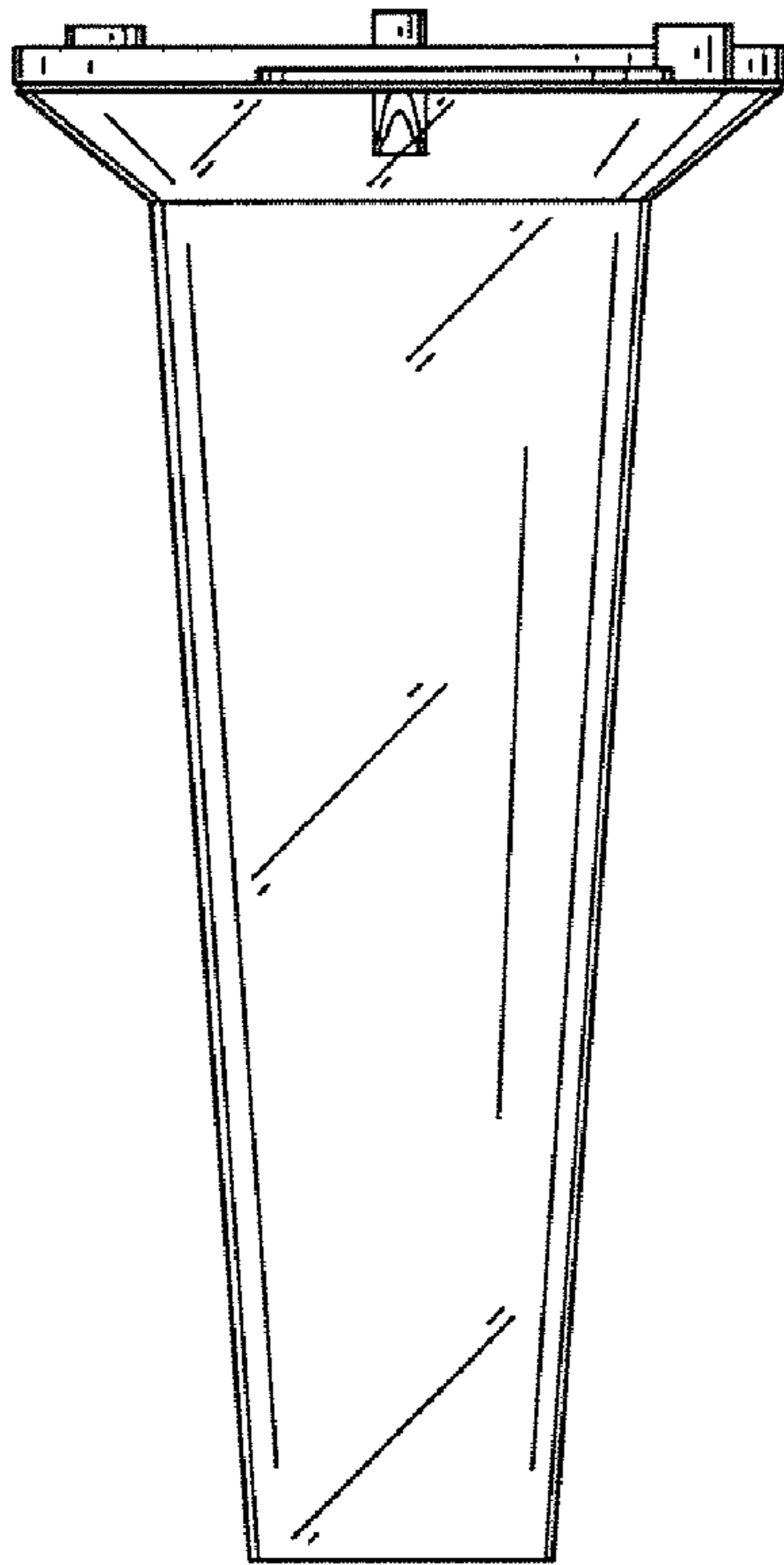


FIG. 4

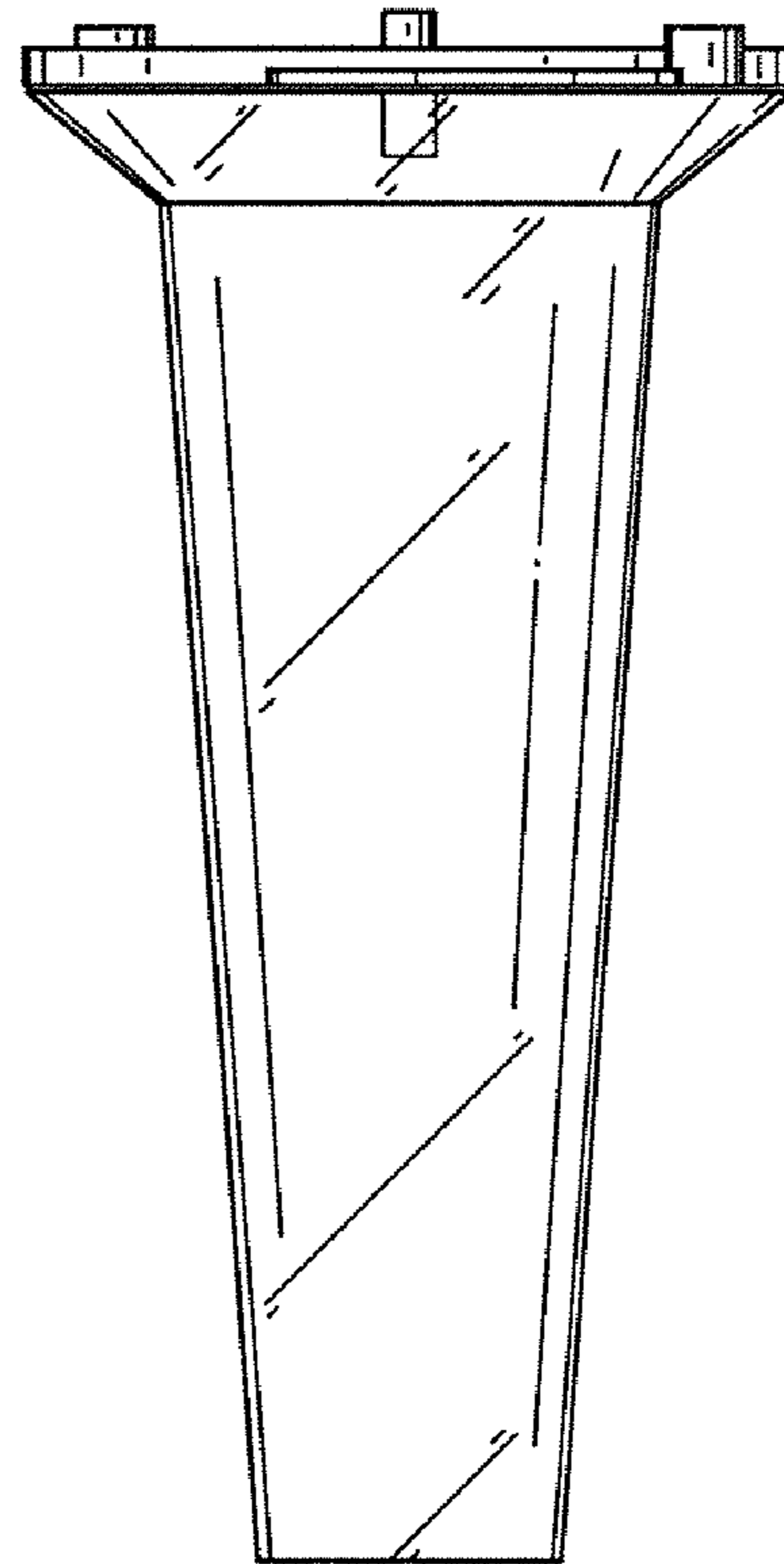


FIG. 5

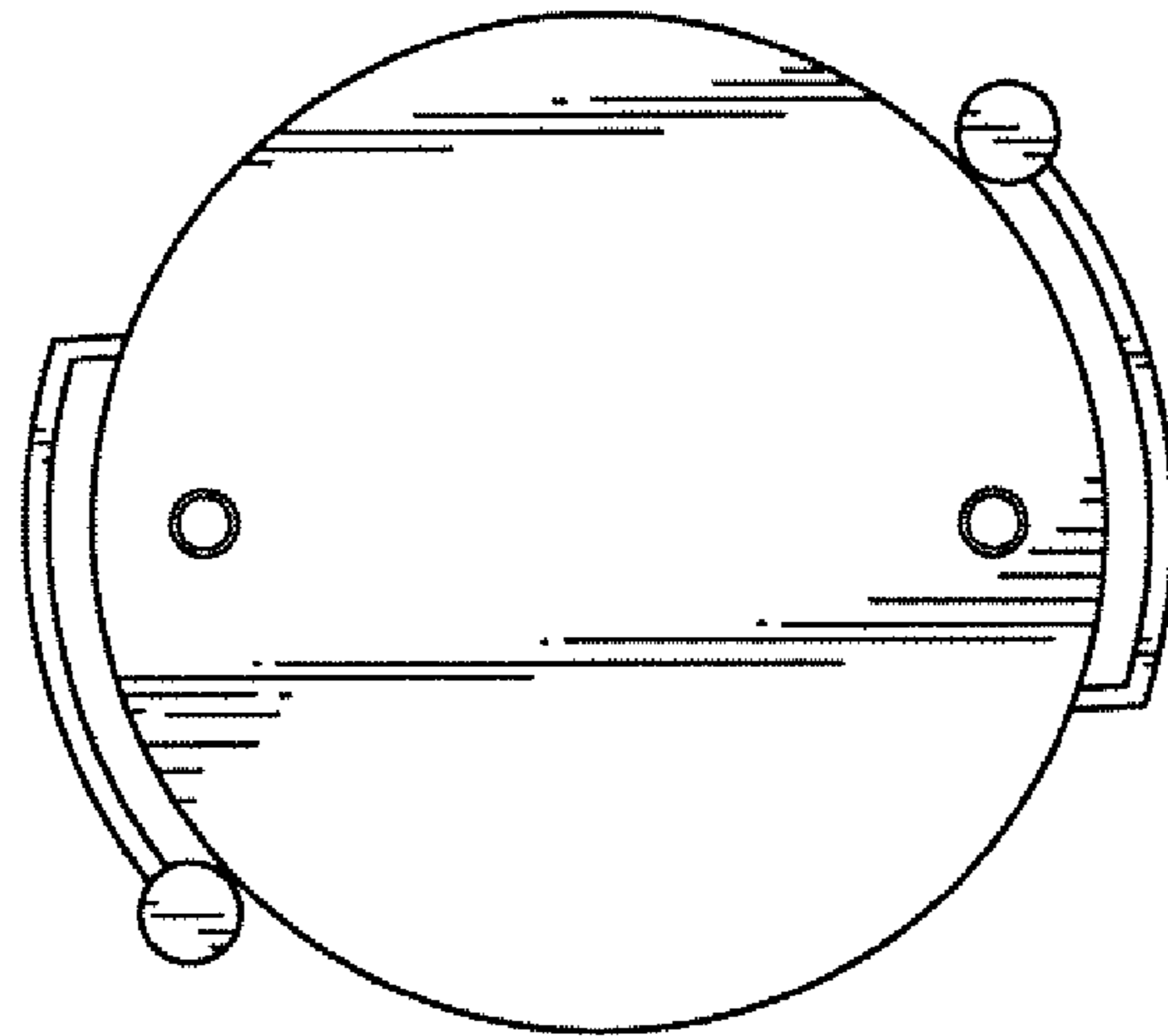


FIG. 6

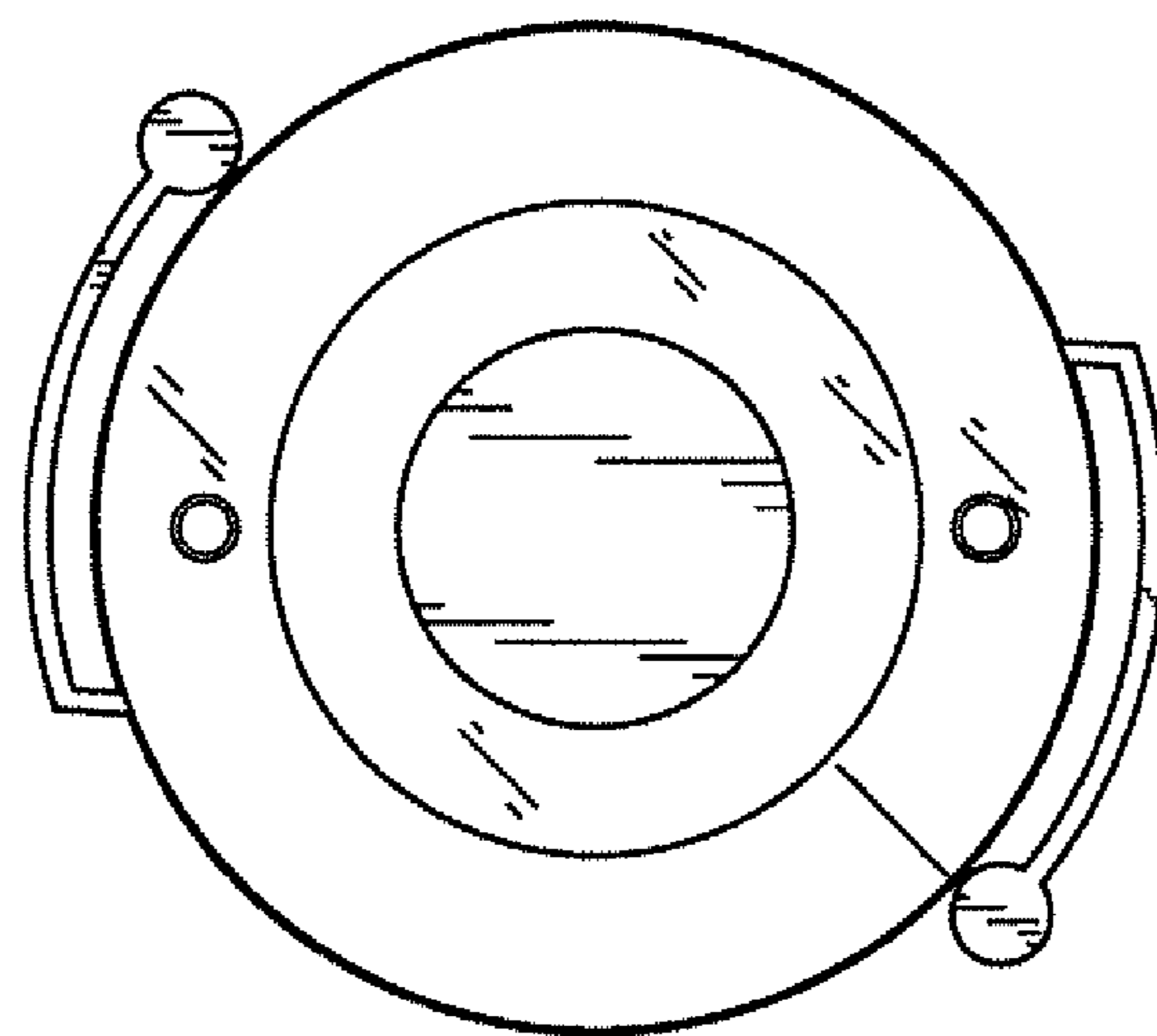


FIG. 7