



US00D548324S

(12) **United States Design Patent**
Lee

(10) **Patent No.:** **US D548,324 S**

(45) **Date of Patent:** **** Aug. 7, 2007**

(54) **CEILING FAN MOTOR HOUSING**

D530,416 S * 10/2006 Shurtleff D23/411

(75) Inventor: **Emily M. Lee**, Monterey Park, CA
(US)

* cited by examiner

Primary Examiner—Lisa Lichtenstein

(73) Assignee: **Air Cool Industrial Co., Ltd.**,
Taichung County (TW)

(74) *Attorney, Agent, or Firm*—Troxell Law Office, PLLC

(**) Term: **14 Years**

(57) **CLAIM**

(21) Appl. No.: **29/265,109**

I claim the ornamental design for a ceiling fan motor housing, as shown and described.

(22) Filed: **Aug. 25, 2006**

DESCRIPTION

(51) **LOC (8) Cl.** **23-04**

FIG. 1 is a front perspective view of a ceiling fan motor housing showing my new design;

(52) **U.S. Cl.** **D23/411**

FIG. 2 is a front elevational view thereof;

(58) **Field of Classification Search** D23/411,

FIG. 3 is a rear elevational view thereof.

D23/377, 379, 385; 416/5; 392/364

FIG. 4 is a left side elevational view thereof;

See application file for complete search history.

FIG. 5 is a right side elevational view thereof;

(56) **References Cited**

FIG. 6 is a top plan view thereof; and,

U.S. PATENT DOCUMENTS

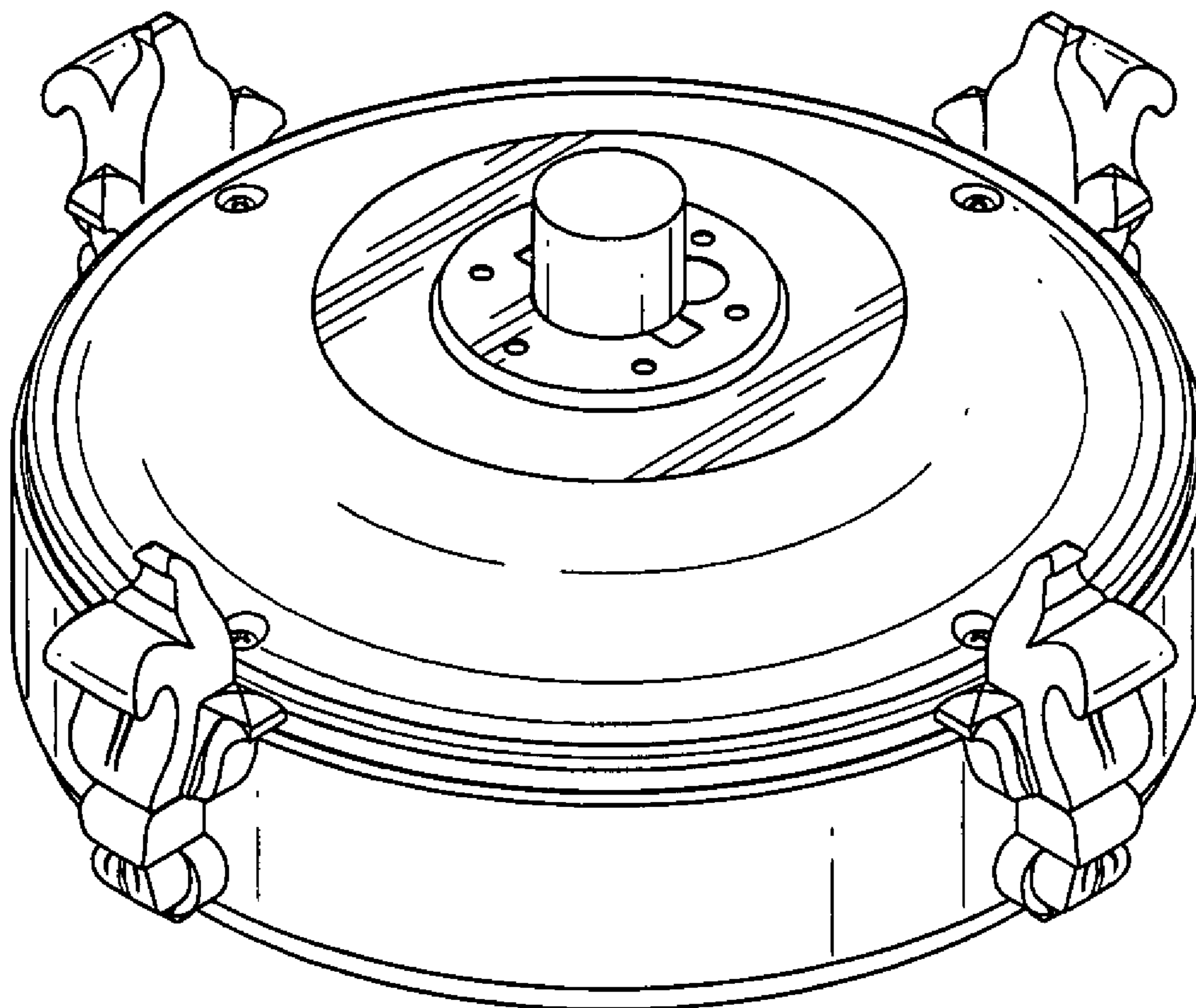
FIG. 7 is a bottom plan view thereof.

D451,995 S * 12/2001 Liu D23/411

D499,479 S * 12/2004 Thomas, Jr. D23/411

D521,143 S * 5/2006 Florez D23/377

1 Claim, 5 Drawing Sheets



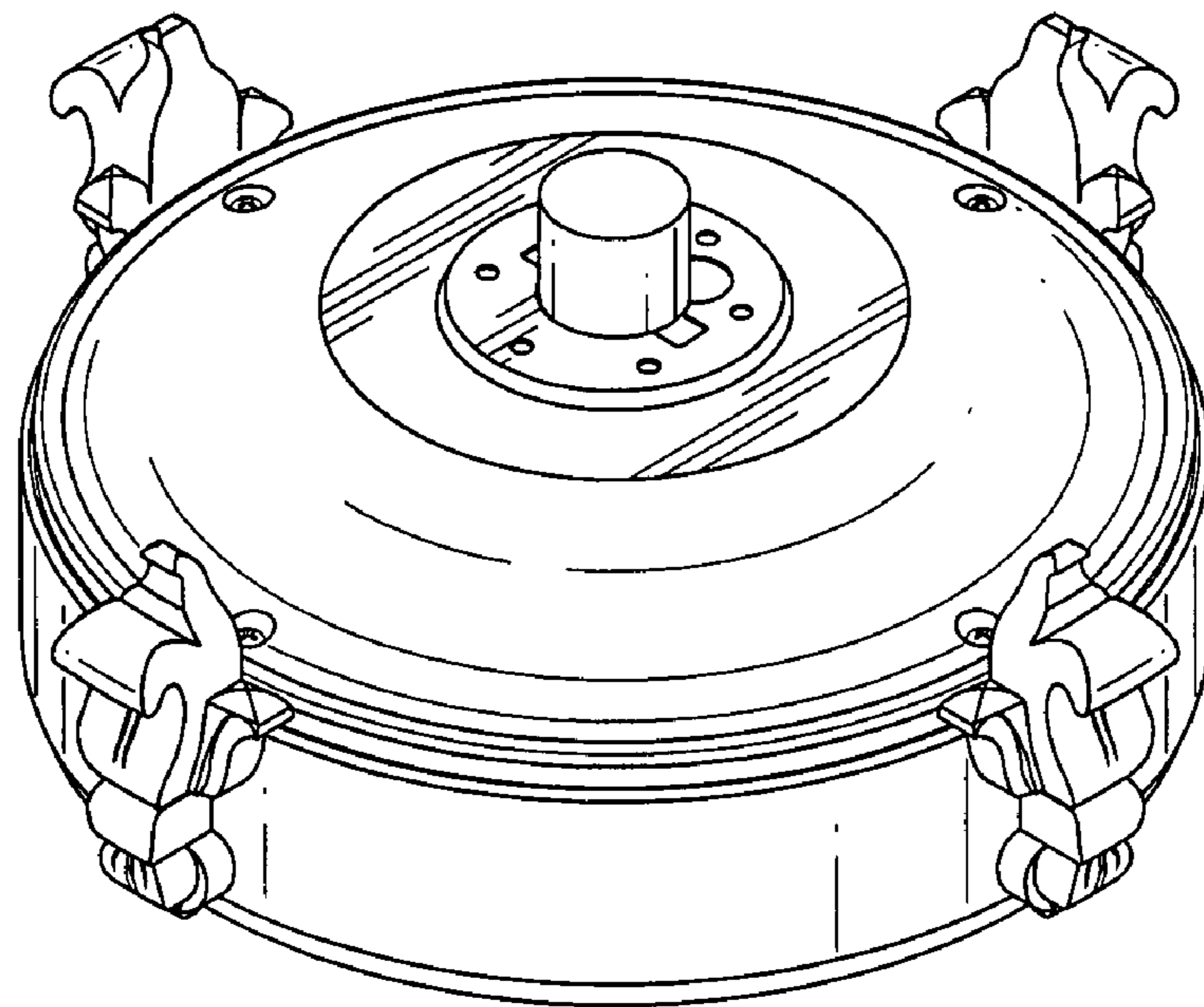


FIG. 1

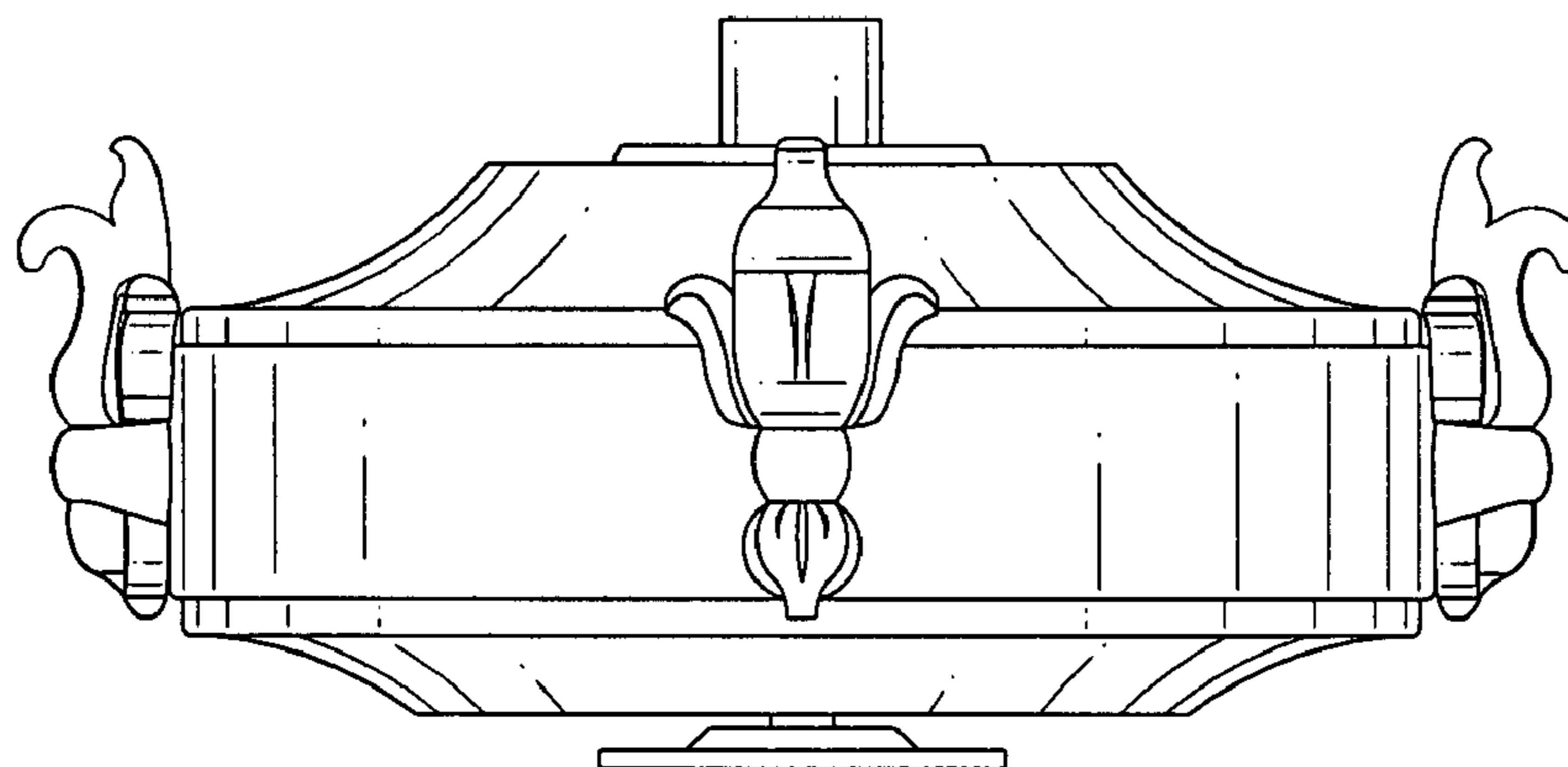


FIG. 2

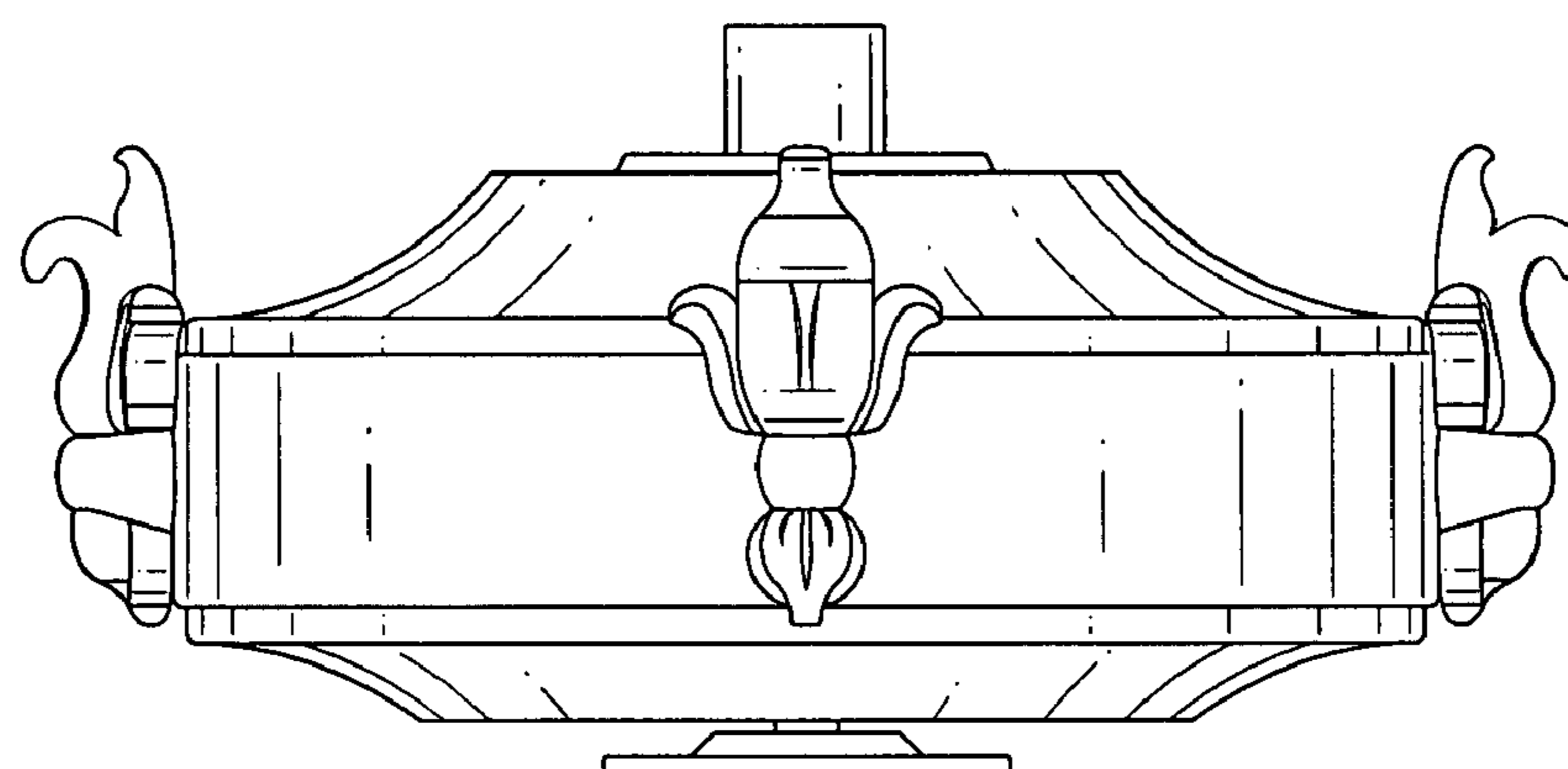


FIG. 3

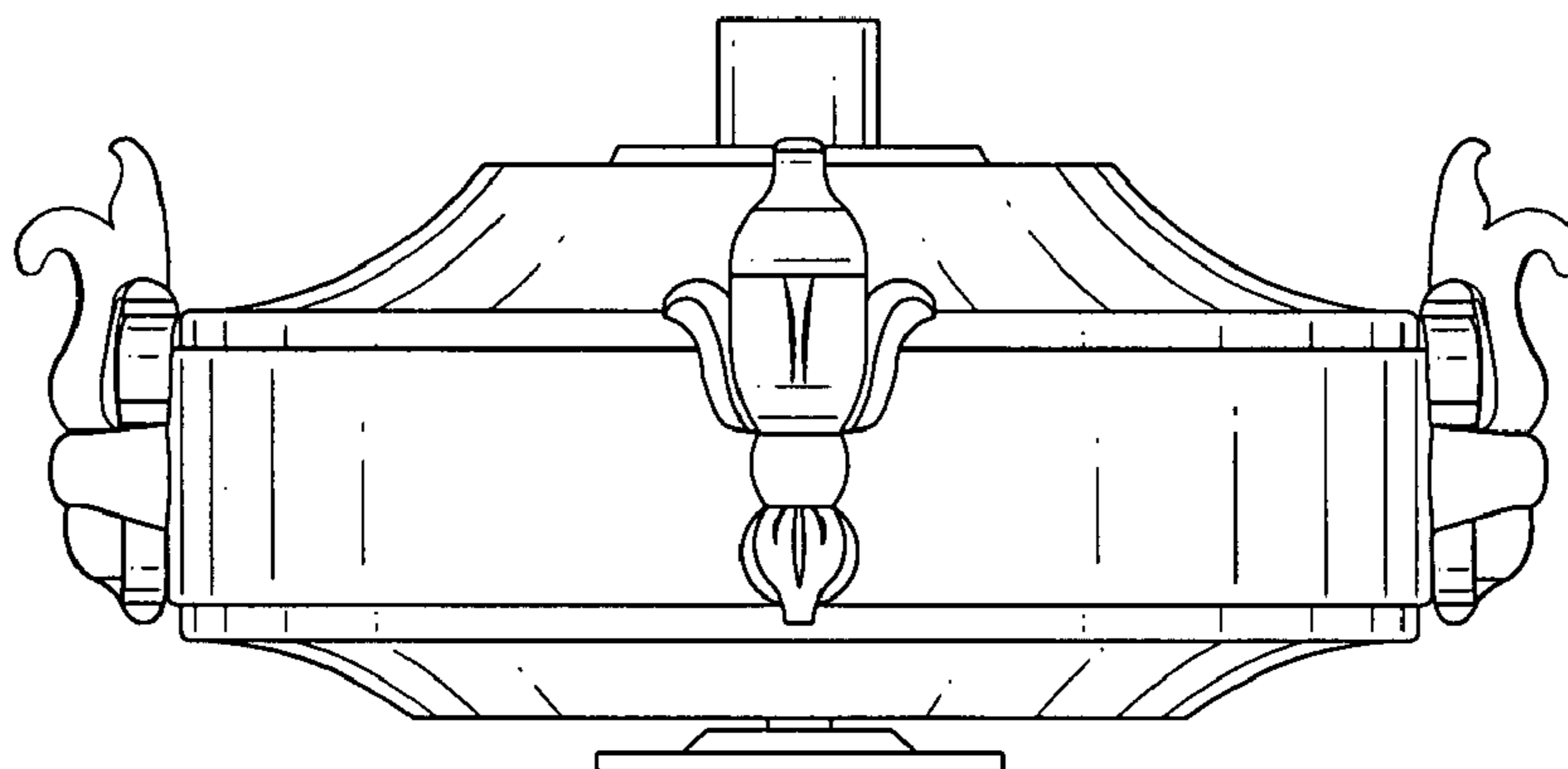


FIG. 4

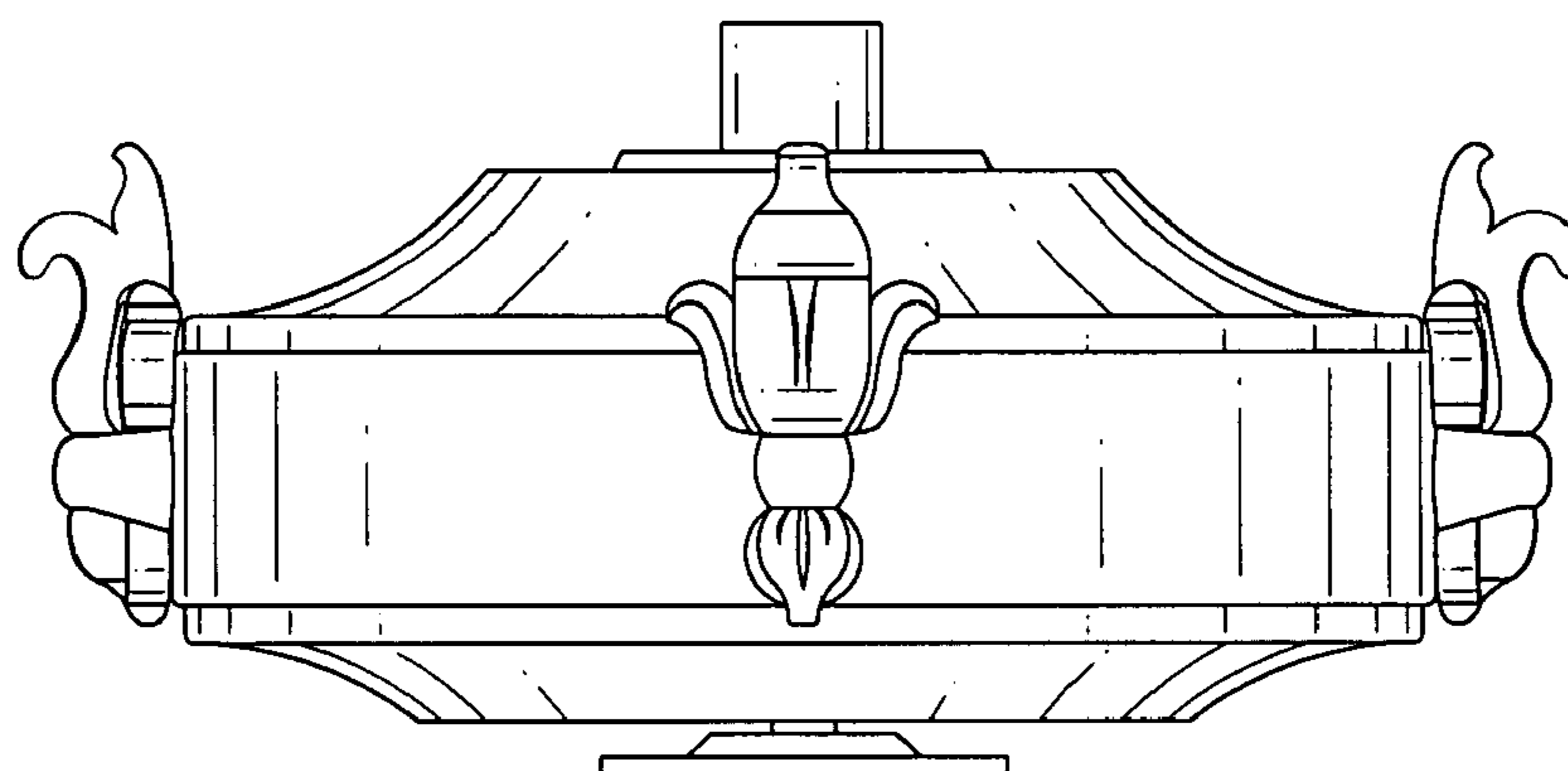


FIG. 5

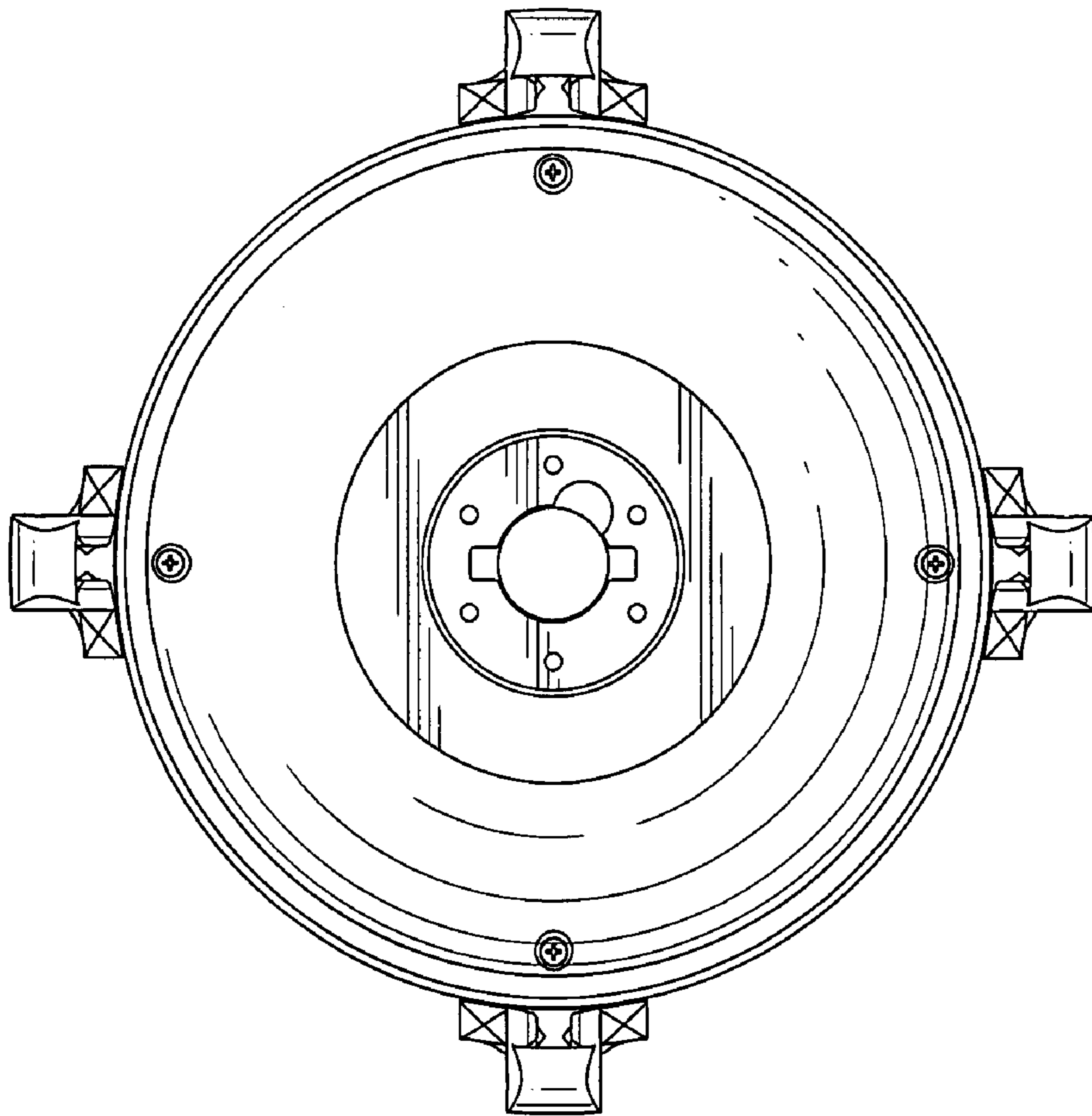


FIG. 6

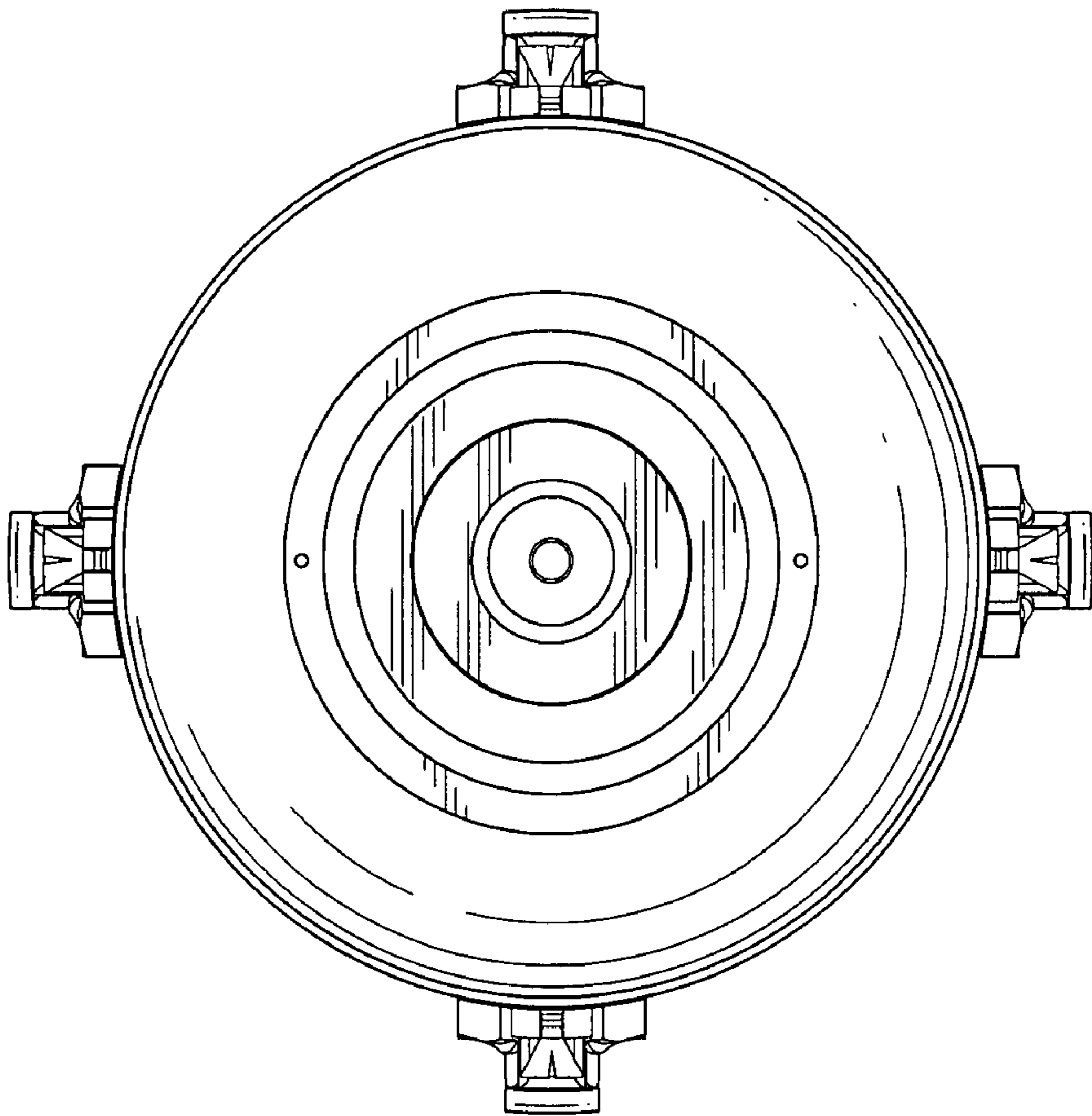


FIG. 7