



US00D548323S

(12) **United States Design Patent** (10) **Patent No.:** **US D548,323 S**  
**Lee** (45) **Date of Patent:** **\*\* Aug. 7, 2007**

(54) **FAN BLADE BRACKET**

(75) Inventor: **Emily M. Lee**, Monterey Park, CA  
(US)

(73) Assignee: **Air Cool Industrial Co., Ltd.**,  
Taichung County (TW)

(\*\*) Term: **14 Years**

(21) Appl. No.: **29/265,105**

(22) Filed: **Aug. 25, 2006**

(51) **LOC (8) Cl.** ..... **23-04**

(52) **U.S. Cl.** ..... **D23/411**

(58) **Field of Classification Search** ..... D23/377,  
D23/379, 385, 411, 413; 416/5  
See application file for complete search history.

(56) **References Cited**

U.S. PATENT DOCUMENTS

D523,136 S \* 6/2006 Chen ..... D23/411

\* cited by examiner

*Primary Examiner*—Lisa Lichtenstein  
(74) *Attorney, Agent, or Firm*—Troxell Law Office, PLLC

(57) **CLAIM**

I claim the ornamental design for a fan blade bracket, as shown and described.

**DESCRIPTION**

FIG. 1 is a front perspective view of a fan blade bracket showing my new design;

FIG. 2 is a front elevational view thereof;

FIG. 3 is a rear elevational view thereof.

FIG. 4 is a left side elevational view thereof;

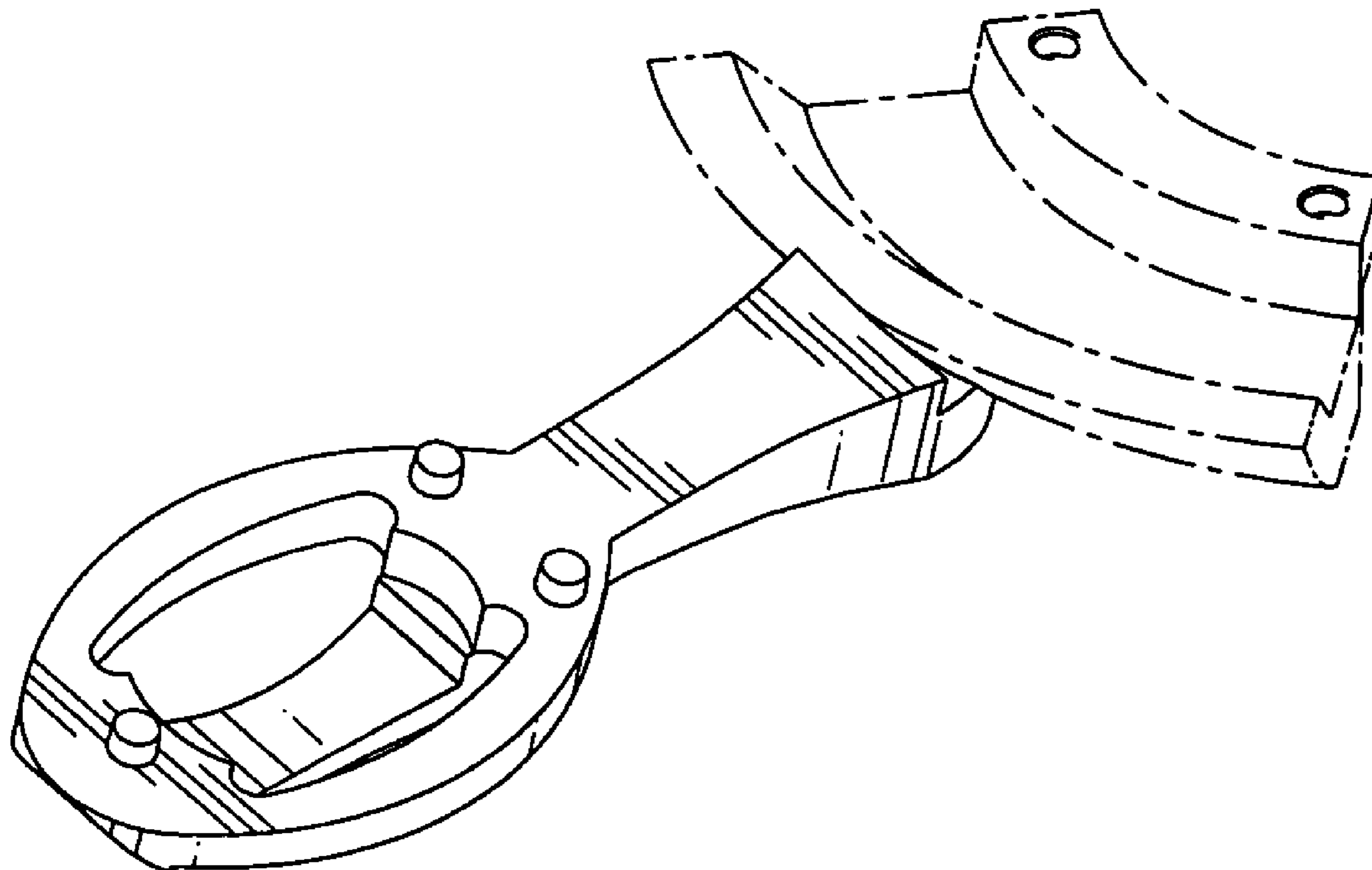
FIG. 5 is a right side elevational view thereof;

FIG. 6 is a top plan view thereof; and,

FIG. 7 is a bottom plan view thereof.

The broken line showing of the attachment element is included for the purpose of illustrating environmental structure and forms no part of the claimed design.

**1 Claim, 4 Drawing Sheets**



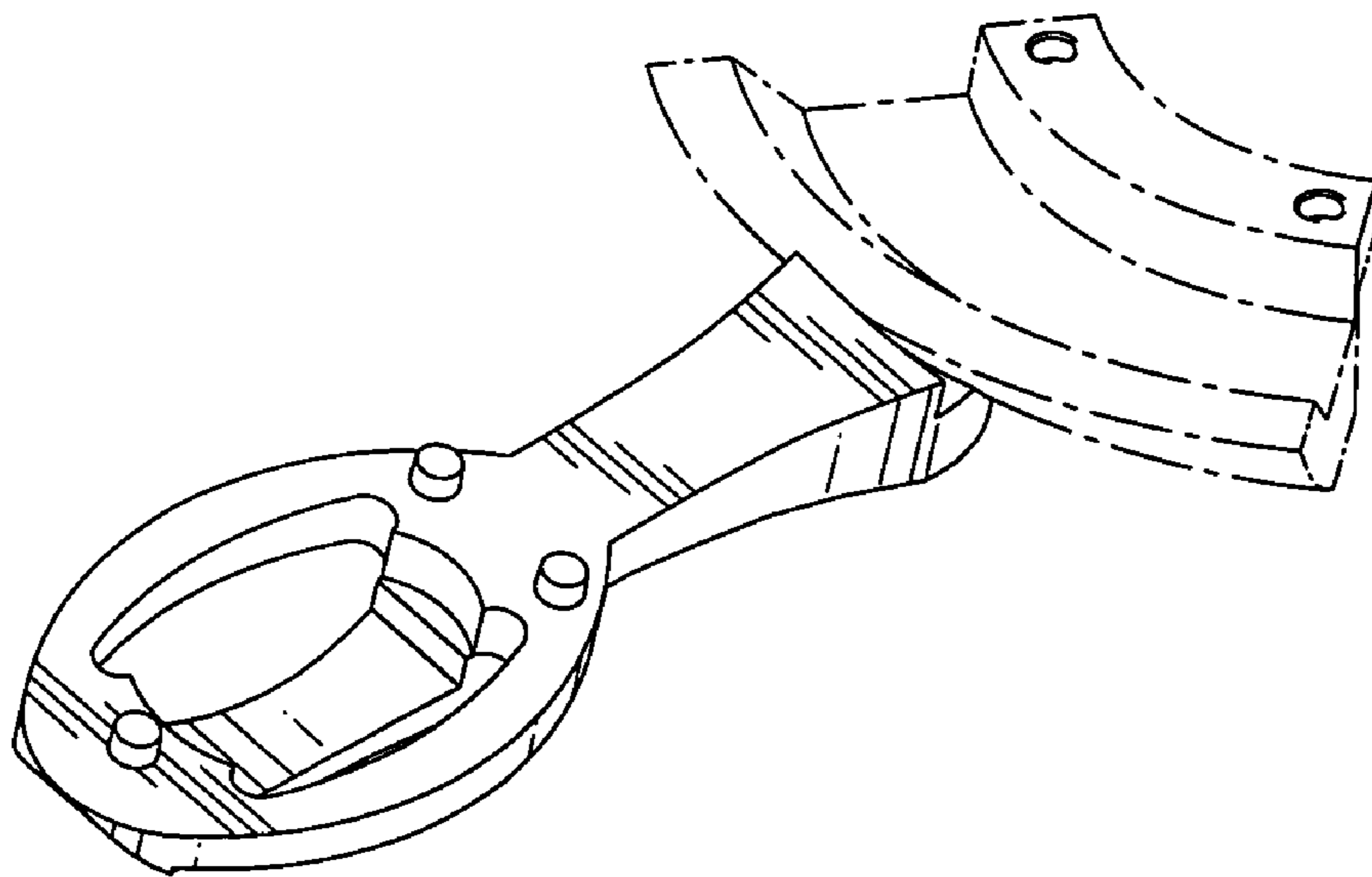


FIG. 1

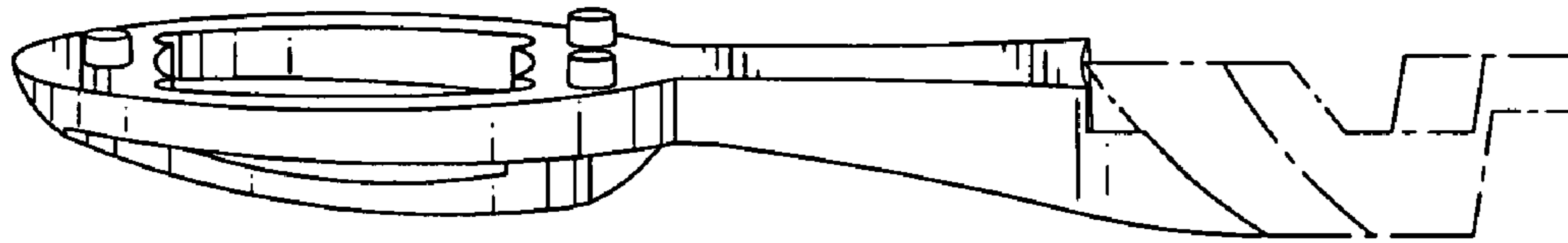


FIG. 2

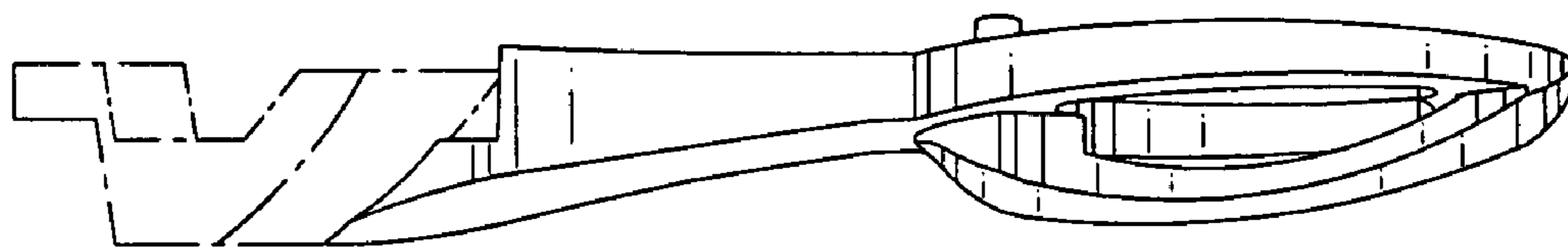


FIG. 3

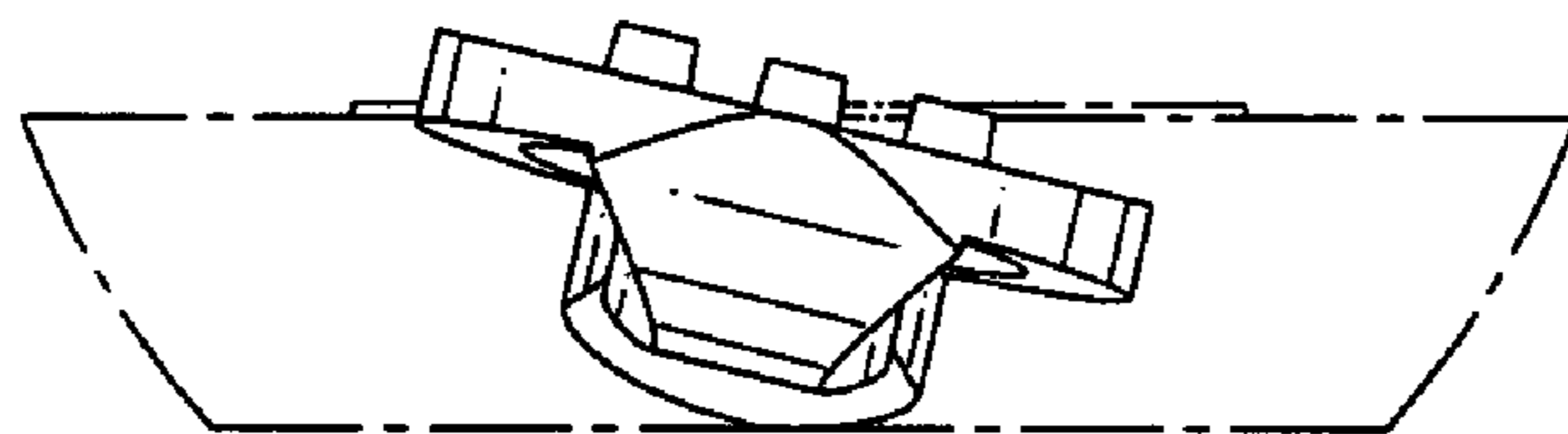


FIG. 4

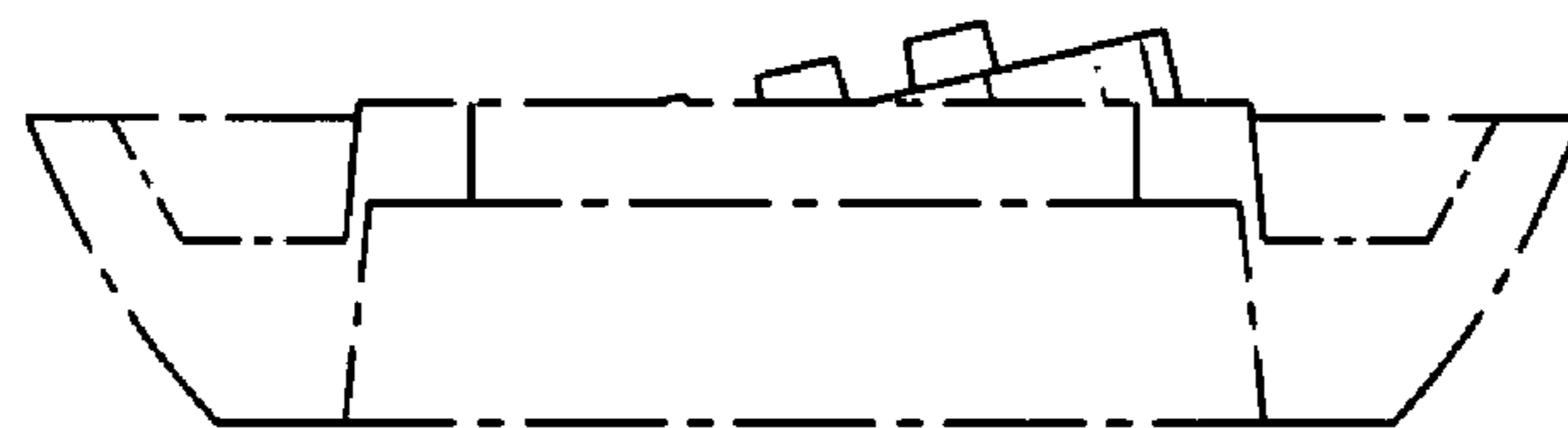


FIG. 5

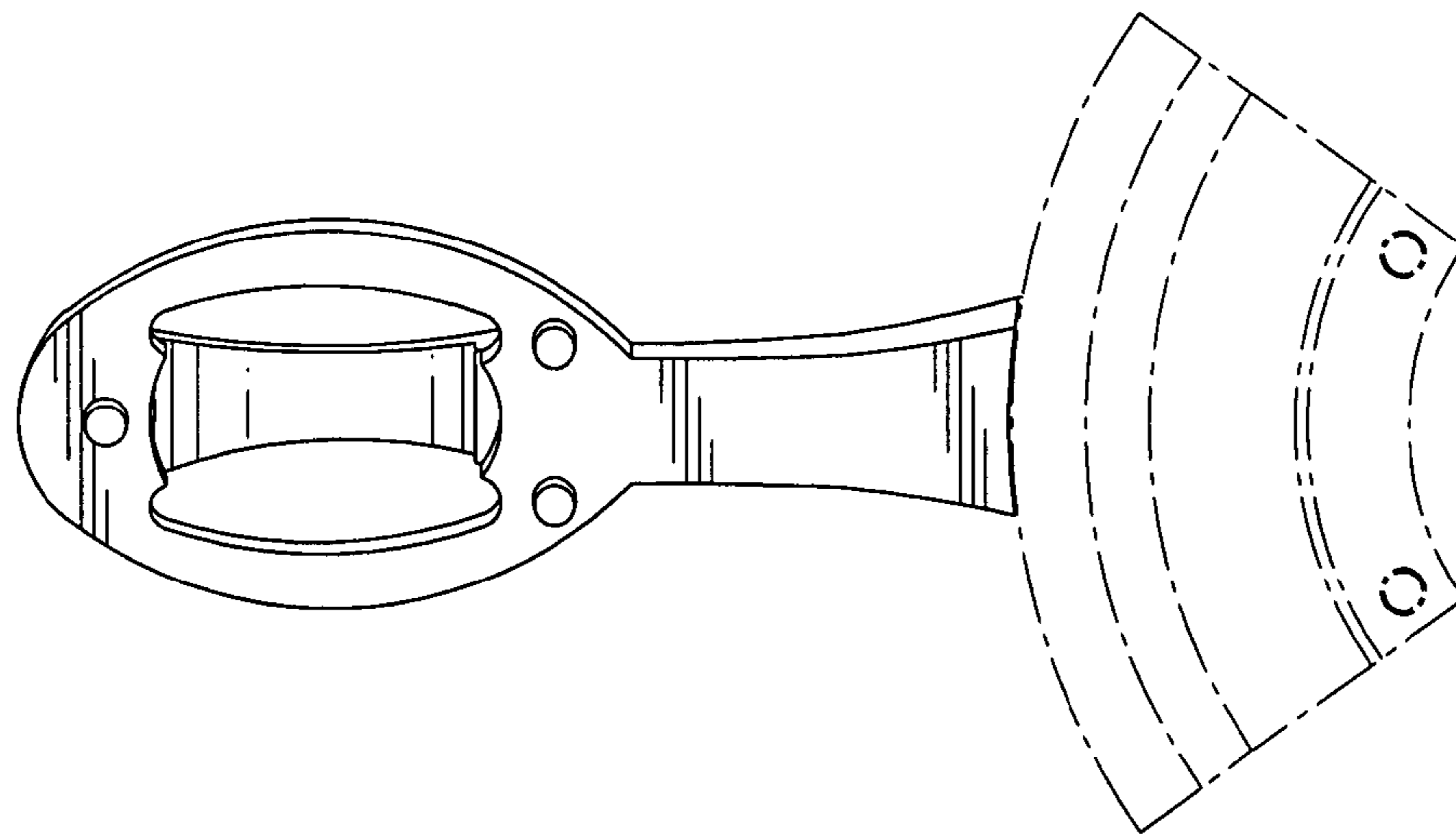


FIG. 6

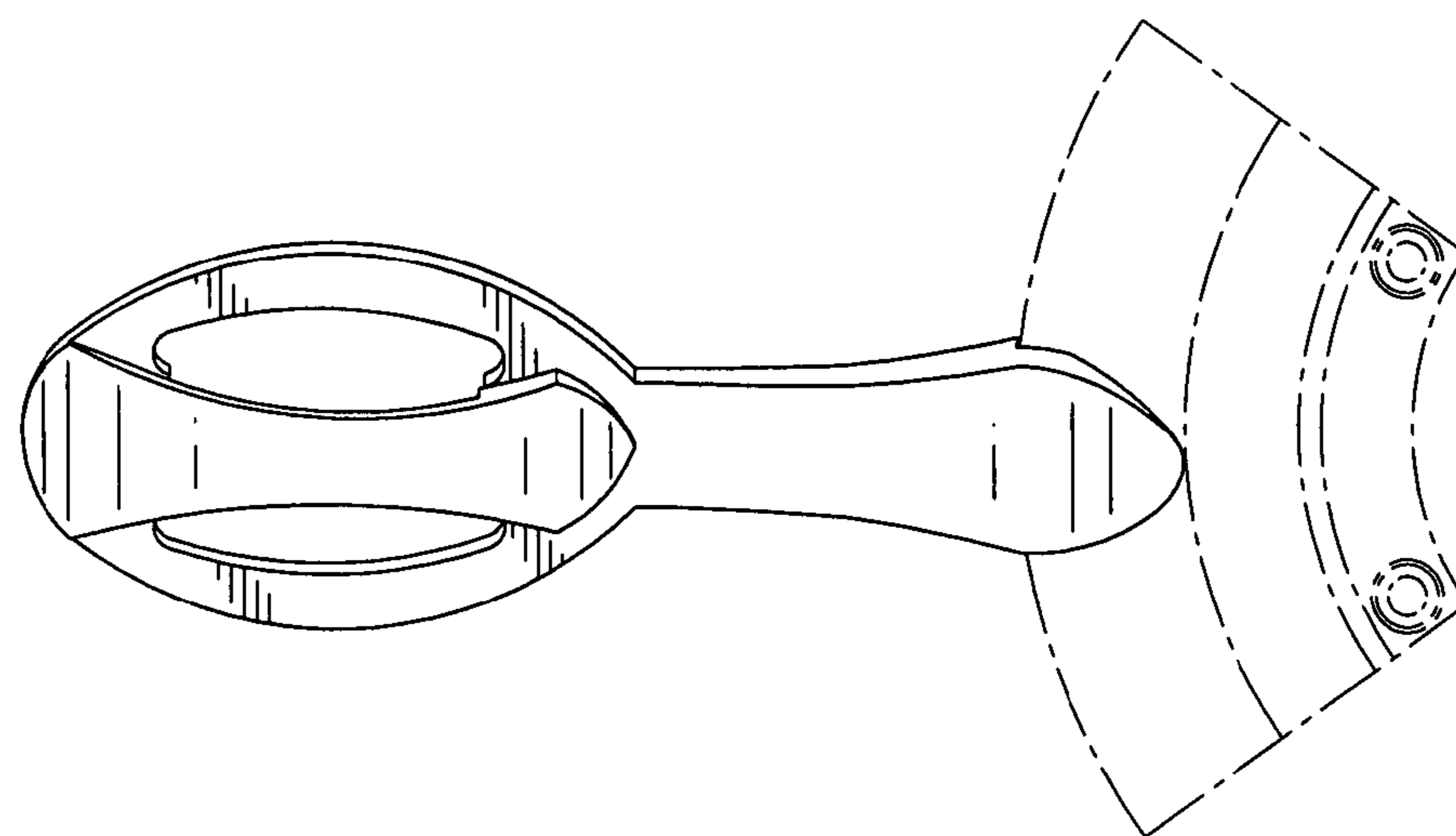


FIG. 7