

US00D548322S

(12) **United States Design Patent**
Ertze

(10) **Patent No.:** **US D548,322 S**

(45) **Date of Patent:** **** Aug. 7, 2007**

(54) **FAN BLADE BRACKET**

(75) Inventor: **Pablo J. Ertze**, Rancho Cucamonga,
CA (US)

(73) Assignee: **Landmark Enterprise Inc.** (BN)

(**) Term: **14 Years**

(21) Appl. No.: **29/262,953**

(22) Filed: **Jul. 14, 2006**

(51) **LOC (8) Cl.** **23-04**

(52) **U.S. Cl.** **D23/411**

(58) **Field of Classification Search** D23/377,
D23/379, 385, 411, 413; 416/5
See application file for complete search history.

(56) **References Cited**

U.S. PATENT DOCUMENTS

D516,197 S * 2/2006 Young D23/411
D519,629 S * 4/2006 Pickett D23/411

* cited by examiner

Primary Examiner—Lisa Lichtenstein

(74) *Attorney, Agent, or Firm*—Troxell Law Office, PLLC

(57) **CLAIM**

I claim the ornamental design for a fan blade bracket, as shown and described.

DESCRIPTION

FIG. 1 is a front perspective view of a fan blade bracket showing my new design;

FIG. 2 is a front elevational view thereof;

FIG. 3 is a rear elevational view thereof.

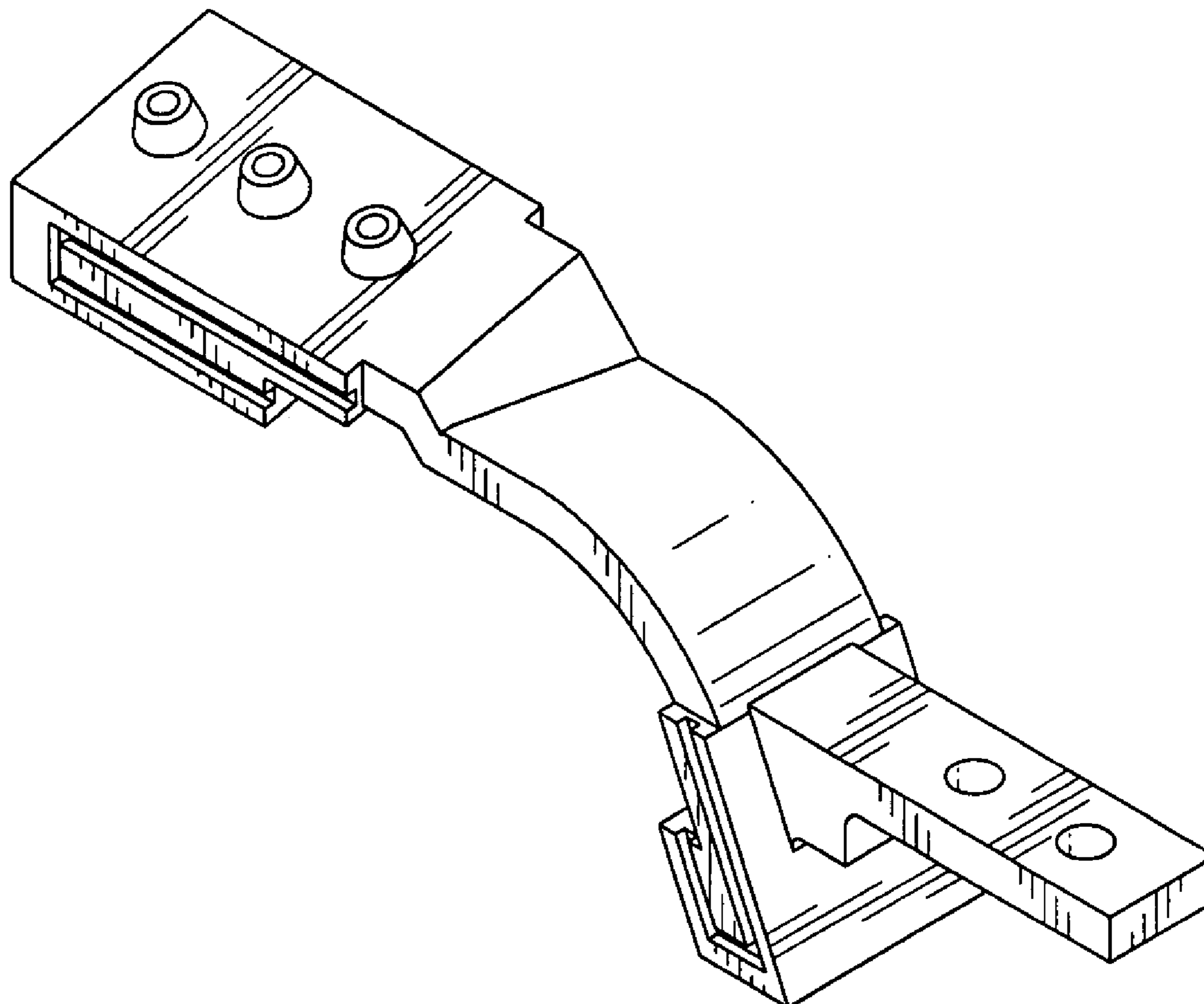
FIG. 4 is a left side elevational view thereof;

FIG. 5 is a right side elevational view thereof;

FIG. 6 is a top plan view thereof; and,

FIG. 7 is a bottom plan view thereof.

1 Claim, 4 Drawing Sheets



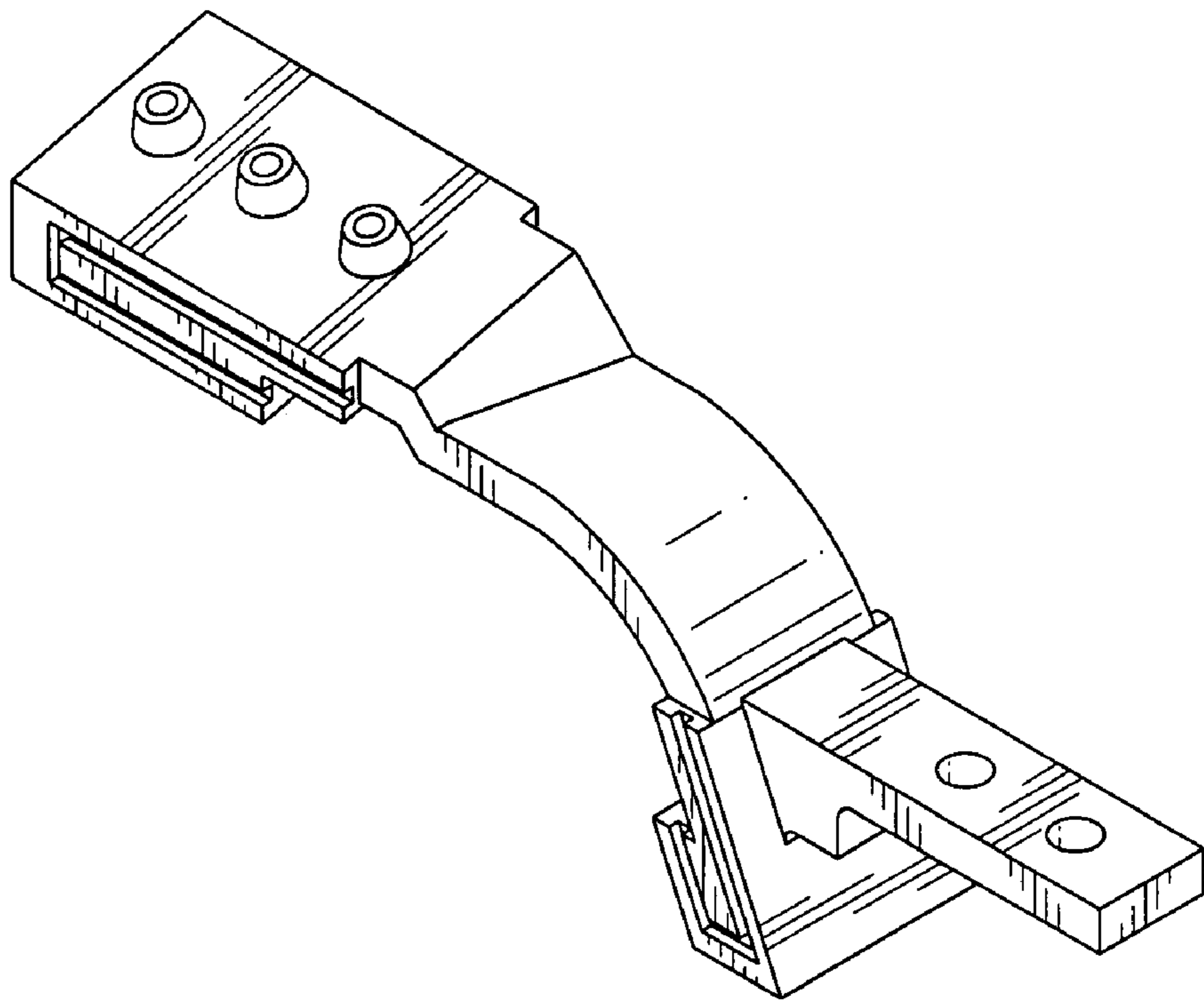


FIG. 1

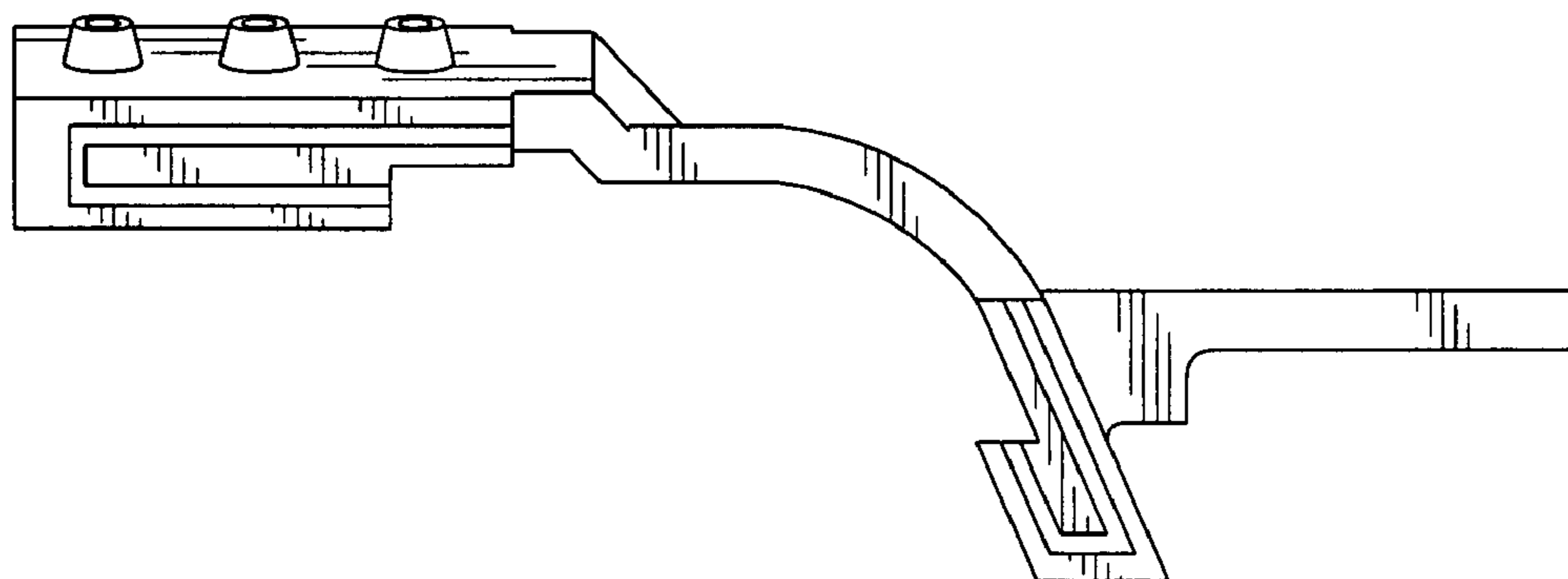


FIG. 2

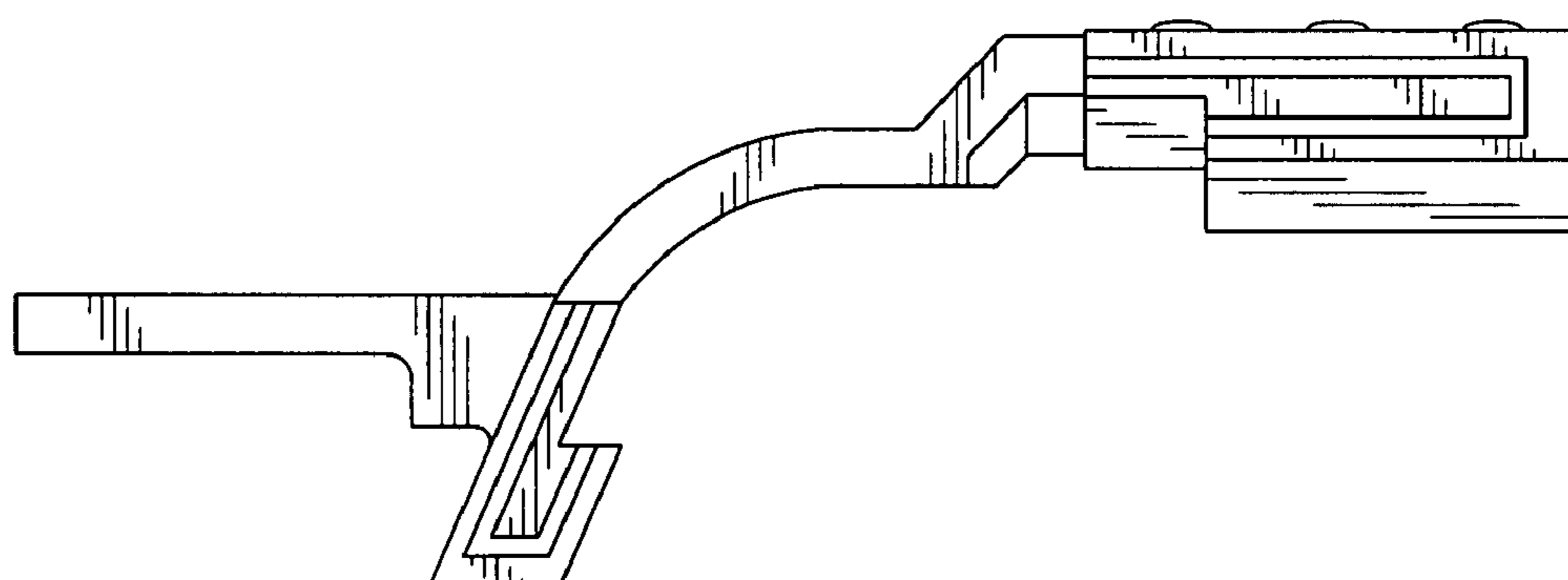


FIG. 3

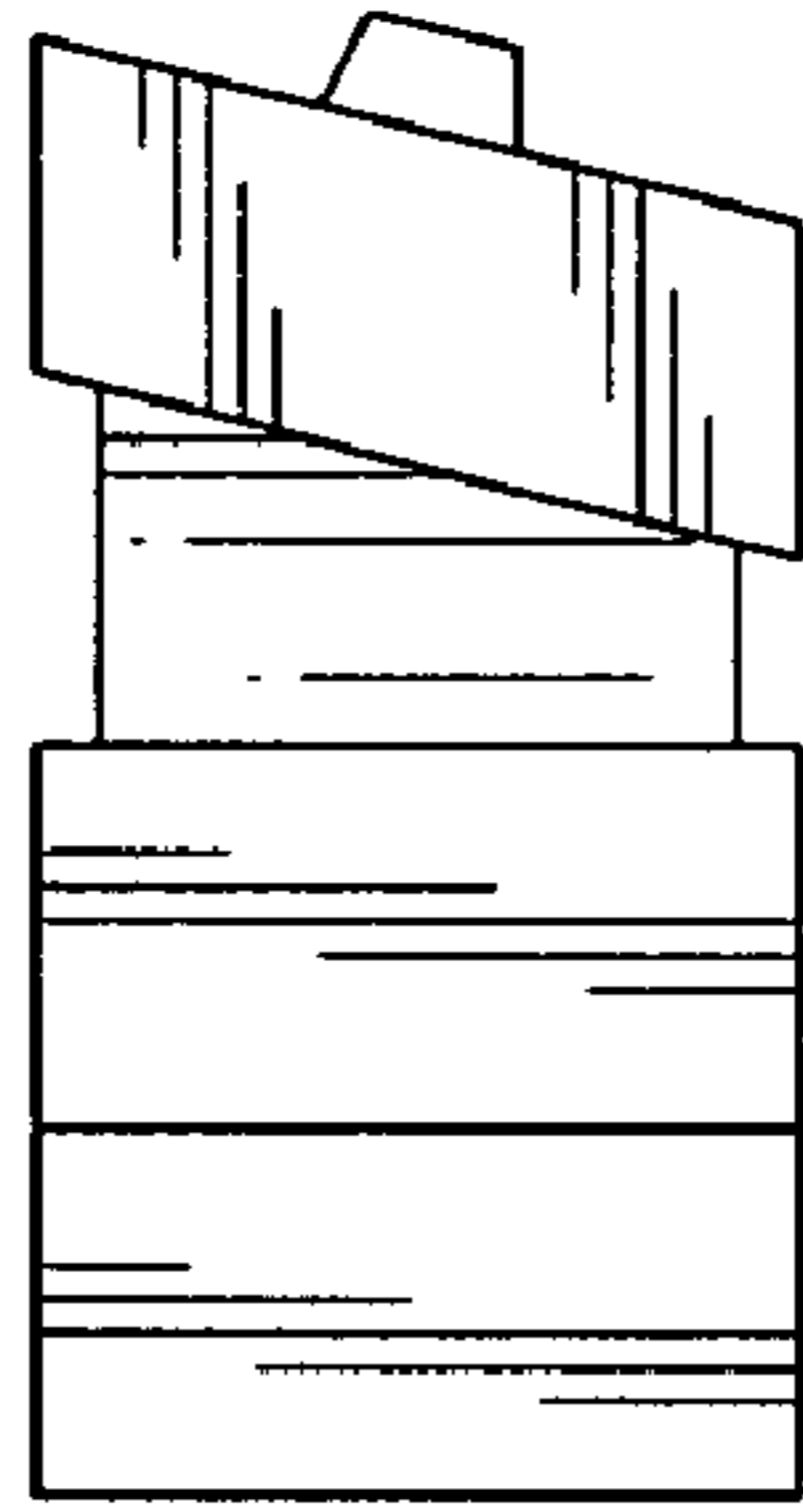


FIG. 4



FIG. 5

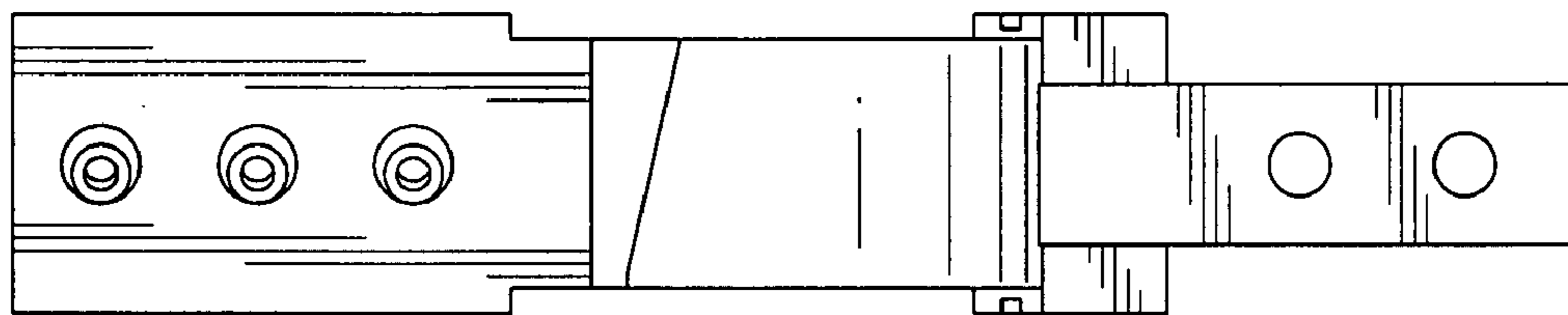


FIG. 6

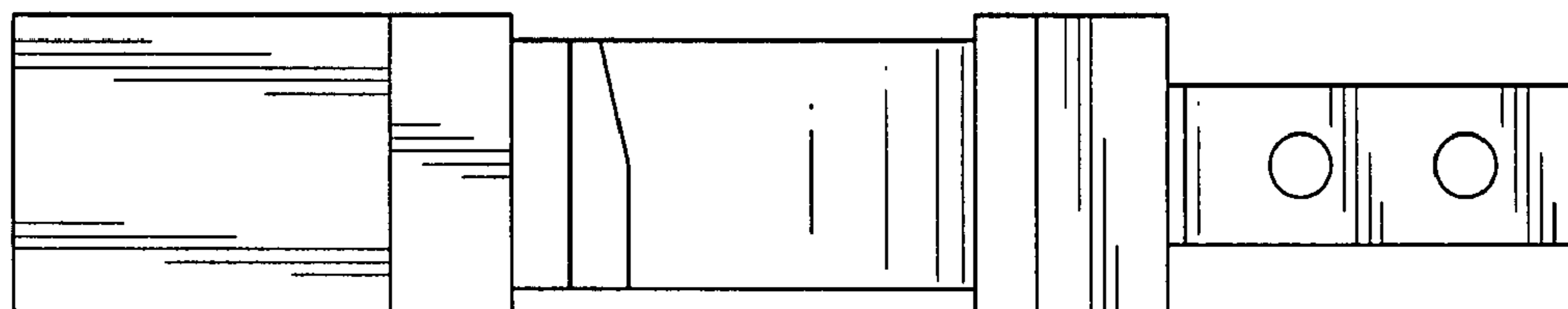


FIG. 7