

US00D548321S

(12) **United States Design Patent** (10) **Patent No.:** **US D548,321 S**
Orozco (45) **Date of Patent:** **** Aug. 7, 2007**

(54) **COMBINED CEILING FAN HOUSING AND LIGHT SHADE**

(75) Inventor: **Sergio Orozco**, West New York, NJ (US)

(73) Assignee: **King of Fans, Inc.**, Fort Lauderdale, FL (US)

(**) Term: **14 Years**

(21) Appl. No.: **29/251,310**

(22) Filed: **Jan. 5, 2006**

(51) **LOC (8) Cl.** **23-04**

(52) **U.S. Cl.** **D23/411; D26/59**

(58) **Field of Classification Search** D23/377,
D23/379, 385, 411, 413; D26/59, 51, 81-86,
D26/88, 72; 416/5

See application file for complete search history.

(56) **References Cited**

U.S. PATENT DOCUMENTS

D364,224 S	11/1995	Wang	D23/377
D371,838 S	7/1996	Davis, Jr. et al.	D23/411
D378,404 S	3/1997	Jaspers-Fayer	D23/377
D402,026 S	12/1998	Chuang et al.	D23/377
5,873,652 A *	2/1999	Bayer et al.	362/405
D408,518 S	4/1999	Liu	D23/377
D411,295 S	6/1999	Evans	D23/411
D412,571 S	8/1999	Lee	D23/377
D414,856 S	10/1999	Zuege	D23/377
D421,799 S	3/2000	Zuege	D23/411

(Continued)

OTHER PUBLICATIONS

Pineapple Lantern and Iron Wall Hanger, [online] Colonial Williamsburg, Williamsburg Marketplace, For the Garden, [retrieved on Jun. 7, 2005] Retrieved from: www.williamsburgmarketplace.com/exe/asp.other_template/MGID.3537/ from Product

Hanging Rustic Pineapple Lantern, [online] Divine Exotics, room accents [retrieved on Jun. 7, 2005] Retrieved from: <http://store.yahoo.com/divineexotics/hrupila.html>.

Handmade Lantern, "Pineapple Glow", [online] Shop.com, Novica.com [retrieved on Jun. 7, 2005] pp. 3, Retrieved from: <http://amos.shop.com/amos/cc/pcd/12751167/prd/19026237/ccsyn/260/ccsid/412039926-22>.

Pineapple Collection by Quoizel, [online] Farrey's.com. Lighting, Quoizel, Pineapple Collection, [Retrieved on Jun. 7, 2005] pp. 5, Retrieved from: http://www.farreys.com/lighting/quoizel/collection_pineapple.html.

Plantation Pineapple Selections, [online] Hinkley Lighting.com, Products, Select Family, Plantation [Retrieved on Dec. 6, 2005] pp. 2, Retrieved from: http://www.hinkleylighting.com/products/browse_search.asp & famid=014111022?catid=01

Primary Examiner—Lisa Lichtenstein

(74) *Attorney, Agent, or Firm*—Brian S. Steinberger; Law Offices of Brian S. Steinberger, P.A.

(57) **CLAIM**

The ornamental design for a combined ceiling fan housing and light shade, as shown and described.

DESCRIPTION

FIG. 1 is a perspective bottom view of a combined ceiling fan housing and light shade.

FIG. 2 is a perspective top view thereof.

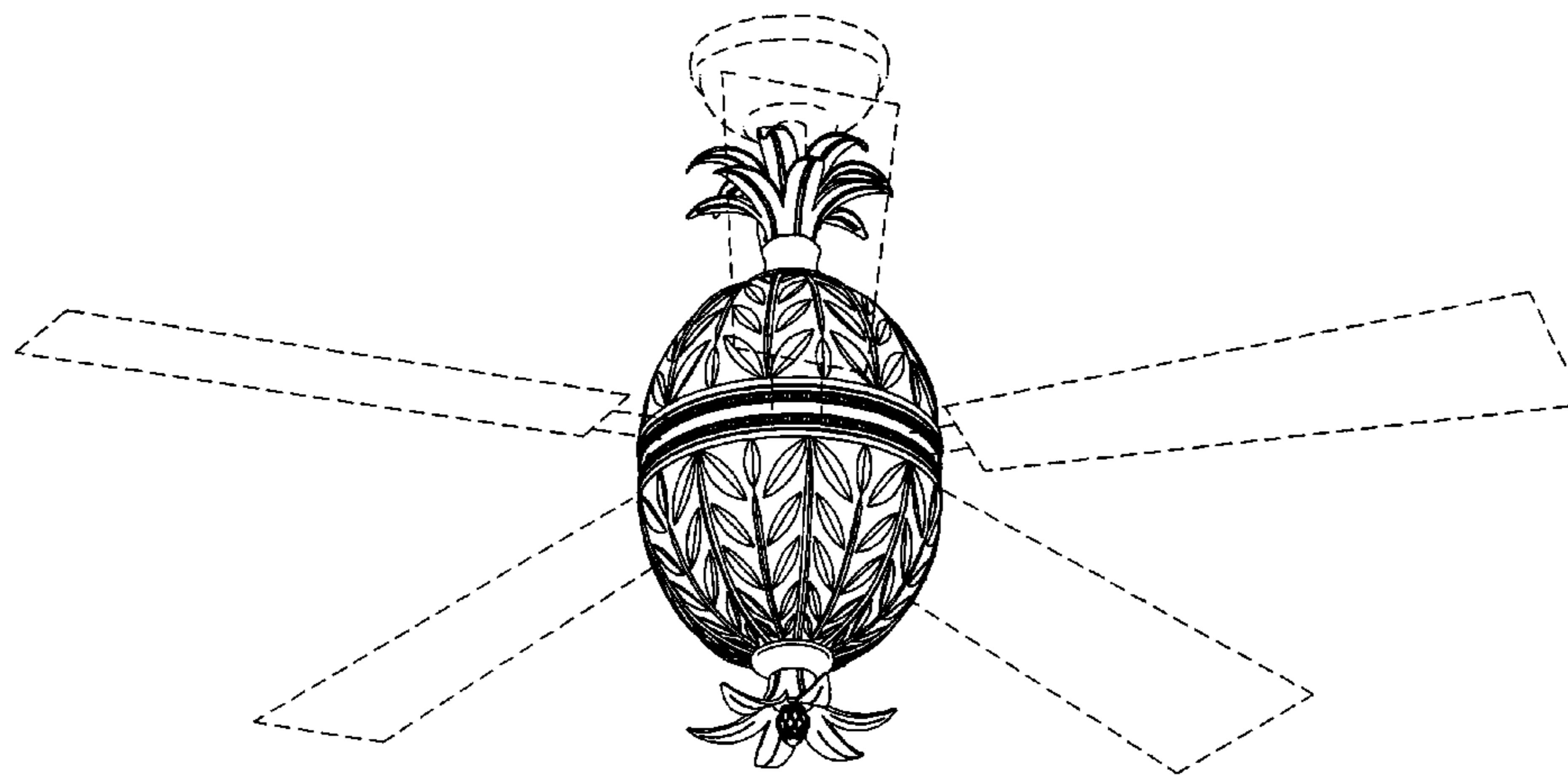
FIG. 3 is a reduced side view of the novel ceiling fan of FIG. 1.

FIG. 4 is a reduced bottom view of the novel ceiling fan of FIG. 1; and,

FIG. 5 is a top view of the novel ceiling fan of FIG. 1.

The broken lines showing the ceiling mounting cap with downward extending rod in FIGS. 1-3, for illustrative purposes and form no part of the claimed design, and the broken lines showing the blade mounting holes in FIGS. 2, 3, 5, are for illustrative purposes and form no part of the claimed design, and the broken lines showing a generic blade in FIGS. 6-10 are for illustrative purposes and form no part of the claimed design, and the dotted lines showing the mounting flange extensions and holes in FIGS. 16-25 are for illustrative purposes and form no part of the claimed design.

1 Claim, 5 Drawing Sheets



US D548,321 S

Page 2

U.S. PATENT DOCUMENTS

D422,072 S	3/2000	Blateri	D23/377	D485,346 S	1/2004	Bucher et al.	D23/377
D426,879 S	6/2000	Gajewski	D23/411	D485,347 S	1/2004	Bucher et al.	D23/377
D443,352 S	6/2001	Lantz	D23/413	D495,817 S	9/2004	Bucher et al.	D26/67
D447,265 S	* 8/2001	Orozco	D26/73	D496,119 S	9/2004	Bucher et al.	D26/67
D451,997 S	12/2001	Schwartz	D23/413	D497,022 S	10/2004	Bucher et al.	D26/67
D453,972 S	* 2/2002	Phillips	D26/84	D500,160 S	12/2004	Bucher et al.	D26/71
D454,636 S	3/2002	Lantz	D23/413	D500,161 S	12/2004	Bucher et al.	D26/71
D462,756 S	9/2002	Liu	D23/377	D500,876 S	1/2005	Bucher et al.	D26/67
D469,950 S	2/2003	Scalise et al.	D3/3	D508,127 S	* 8/2005	Graham	D23/411
D480,471 S	10/2003	Hsieh	D23/411	D510,992 S	10/2005	Bucher	D23/377
D484,233 S	12/2003	Bucher et al.	D23/377	D517,199 S	* 3/2006	Frampton	D23/413
D484,587 S	12/2003	Bucher et al.	D23/377	D526,733 S	* 8/2006	Ertze	D26/59
D485,345 S	1/2004	Bucher	D23/377				

* cited by examiner

Fig. 1

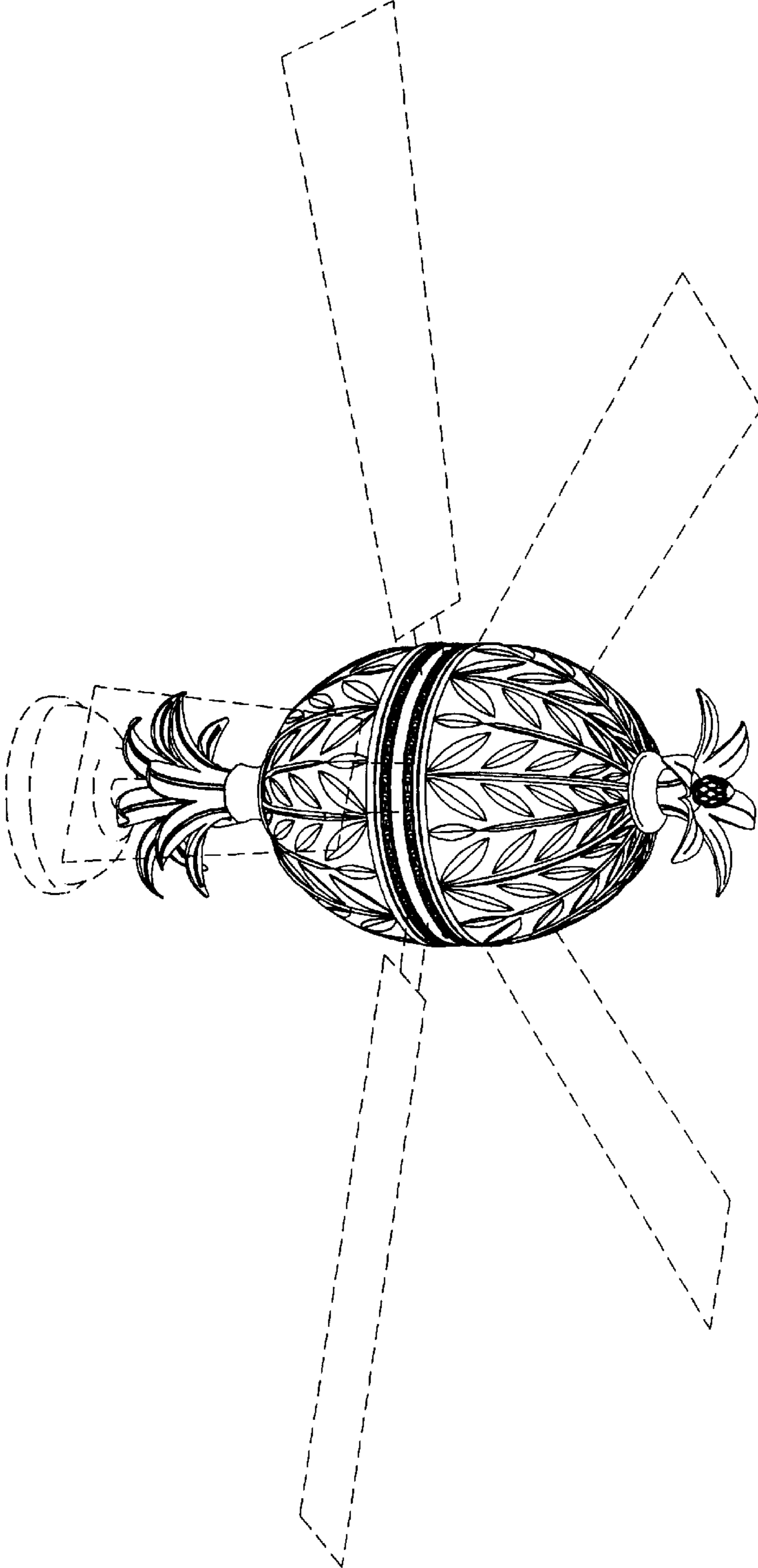


Fig. 2

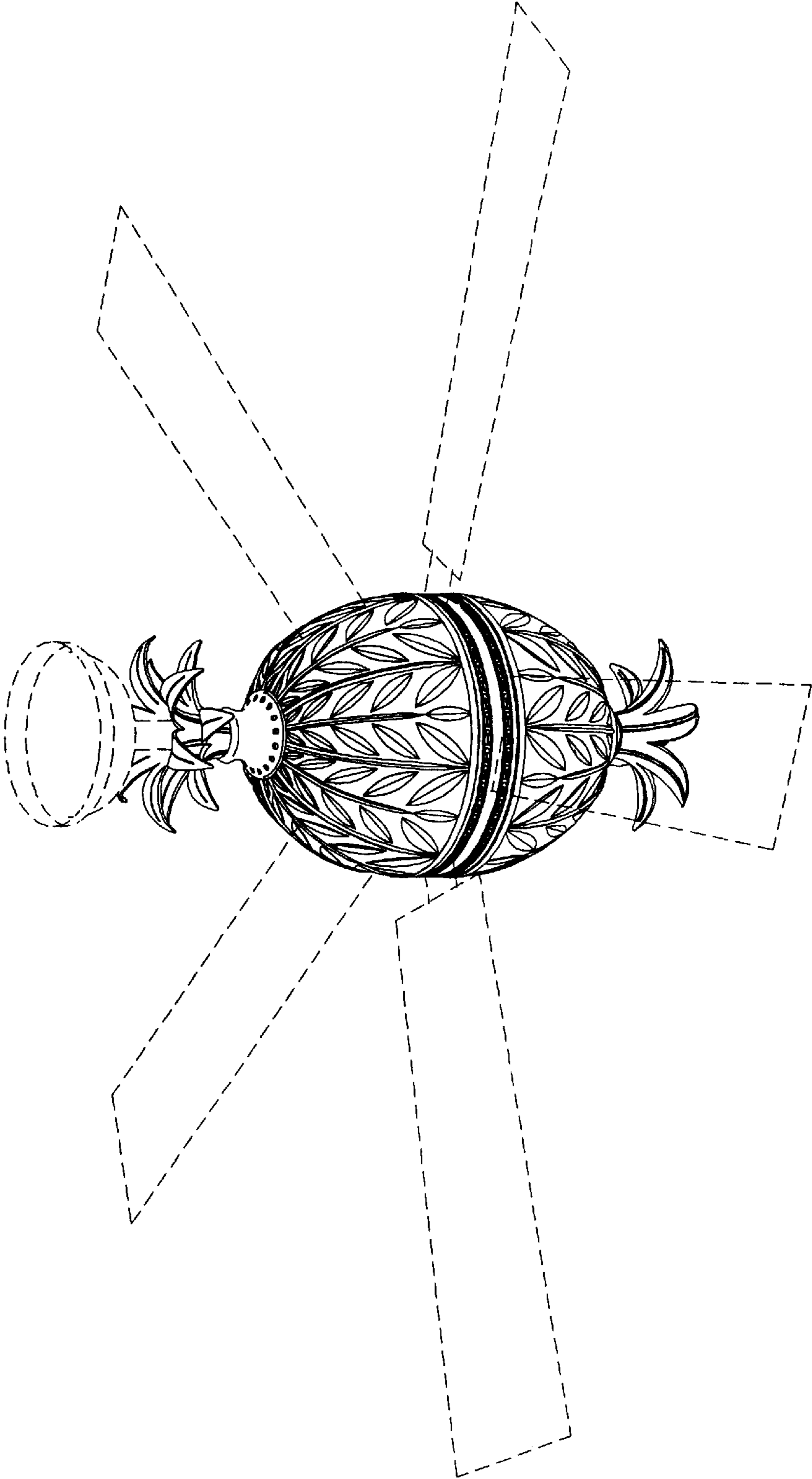


Fig. 3

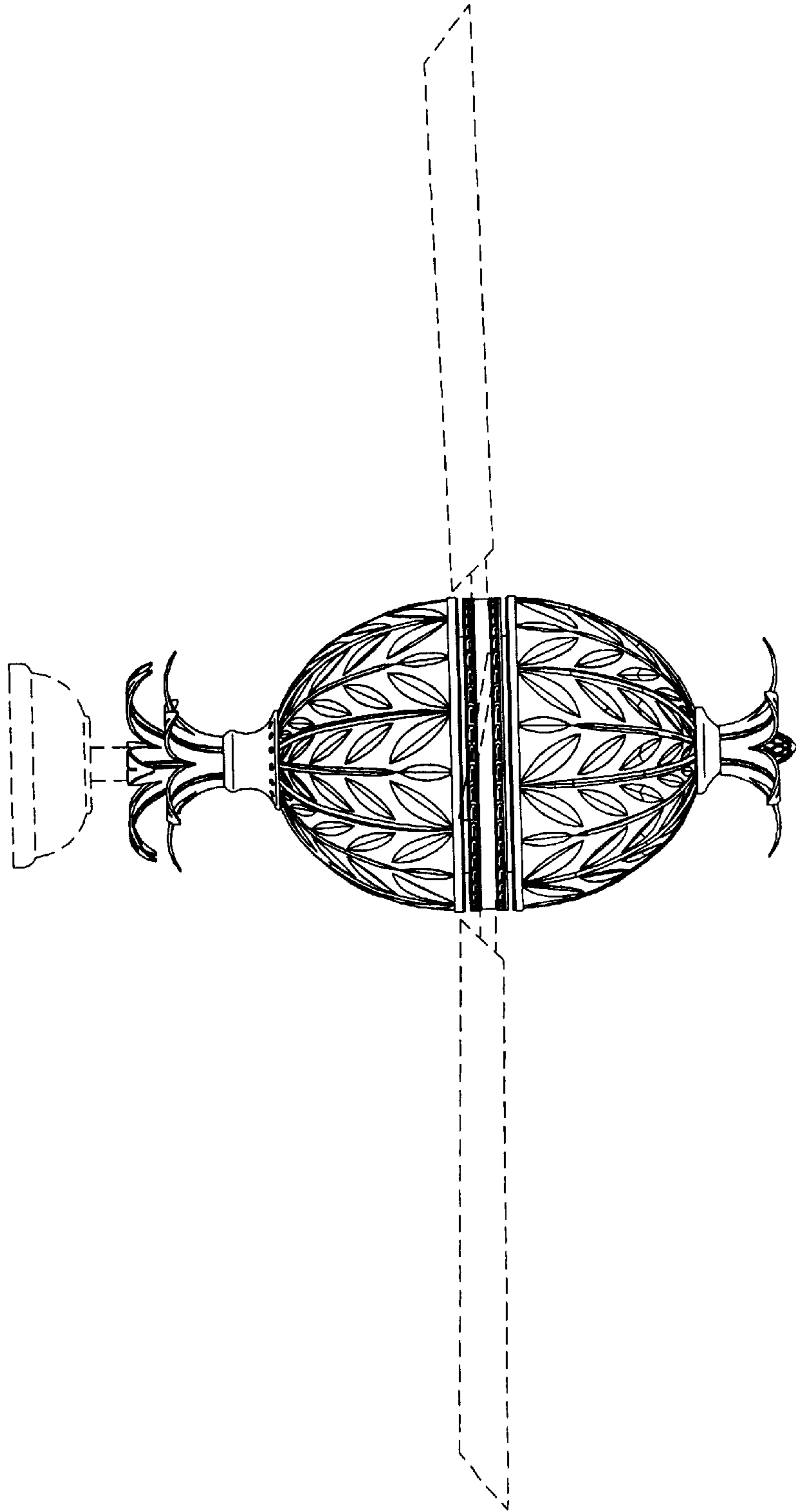


Fig. 4

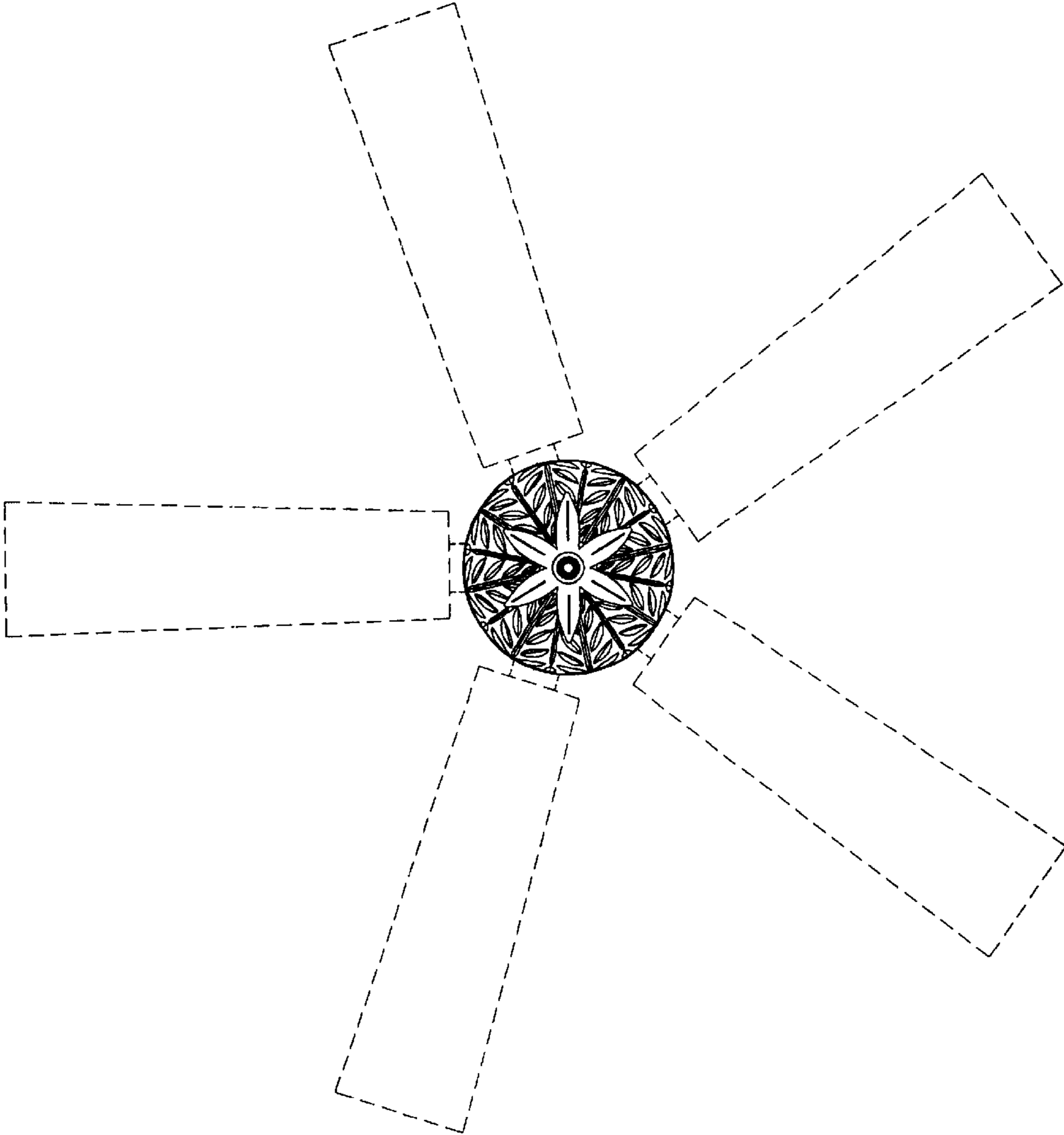


Fig. 5

