

US00D548320S

(12) **United States Design Patent**  
**Frampton**

(10) **Patent No.:** **US D548,320 S**

(45) **Date of Patent:** **\*\* Aug. 7, 2007**

(54) **LATTICE MOTOR HOUSING FOR A CEILING FAN**  
(75) Inventor: **Thomas C. Frampton**, Zionsville, IN (US)

D435,094 S 12/2000 Bucher  
D438,950 S 3/2001 Frampton  
6,213,617 B1 4/2001 Barker  
D443,926 S 6/2001 Frampton  
6,247,894 B1 6/2001 Moody  
D478,981 S \* 8/2003 Frampton ..... D23/411

(73) Assignee: **Fanimation, Inc.**, Zionsville, IN (US)

(\*\*) Term: **14 Years**

(21) Appl. No.: **29/187,008**

(22) Filed: **Jul. 25, 2003**

**Related U.S. Application Data**

(62) Division of application No. 29/162,263, filed on Jun. 13, 2002, now Pat. No. Des. 478,981.

(51) **LOC (8) Cl.** ..... **23-04**

(52) **U.S. Cl.** ..... **D23/411**

(58) **Field of Classification Search** ..... D23/411, D23/377, 379, 385; 416/5; 392/364  
See application file for complete search history.

(56) **References Cited**

**U.S. PATENT DOCUMENTS**

2,079,044 A	5/1937	Santmyer	
D133,120 S	7/1942	Spear	..... D23/377
4,132,360 A	1/1979	Lee, Jr.	
4,342,073 A	7/1982	Ranten	
D313,467 S	1/1991	Frampton	
5,195,870 A	3/1993	Liu	
D344,794 S	3/1994	Galler	
5,292,228 A	3/1994	Dye	
5,439,352 A	8/1995	Line	
5,440,459 A	8/1995	Chan	
5,528,469 A	6/1996	Todd, Jr.	
D373,629 S	9/1996	Chan	
D376,008 S	11/1996	Chan	
5,672,002 A	9/1997	Todd, Jr.	
D403,061 S	12/1998	Jasper-Fayer et al.	..... D23/377
D408,074 S	4/1999	Tai	..... D23/377
D410,100 S	5/1999	Jasper-Fayer	
6,019,577 A	2/2000	Dye	
D426,879 S	6/2000	Gajewski	..... D23/377

**OTHER PUBLICATIONS**

Clem Labine's Traditional Building, "A Fan-tastic Ceiling Accessory," magazine article, Nov./ Dec. 1997, USA.  
Architectural Antiques—Andy Thornton, "Fan Systems," Catalog No. 12, First Edition, Mar. 1994, USA.  
American Homestyle & Gardening, "The Islander Fan," magazine article, Aug./Sep. 1, 1995, USA.  
Fanimation, "The Islander," promotional piece, date unknown, USA.  
Fanimation, "The Palisade," promotional piece, date unknown, USA.  
Winnower Fan Co. Inc., advertising brochure, p. 20, Ceiling Fan A.  
Fanimation, "Unique Ceiling, Wall & Floor Mounted Fans," catalog, Jan. 2000, USA.

(Continued)

*Primary Examiner*—Lisa Lichtenstein  
(74) *Attorney, Agent, or Firm*—Maginot, Moore & Beck

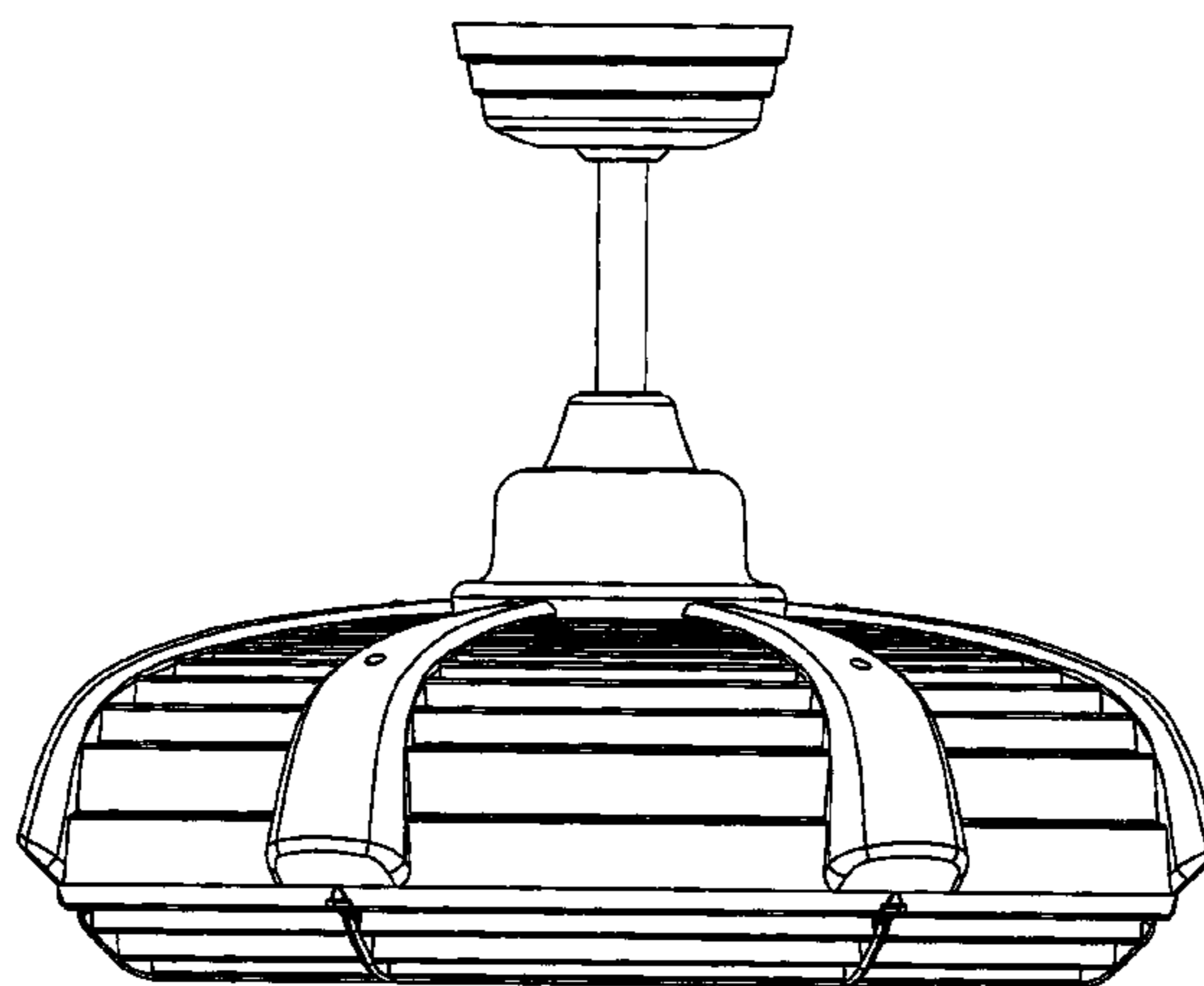
(57) **CLAIM**

The ornamental design for a lattice motor housing for a ceiling fan, as shown.

**DESCRIPTION**

FIG. 1 is a side view of the lattice motor housing for a ceiling fan showing my new design;  
FIG. 2 is another side view of the design of FIG. 1;  
FIG. 3 is a top view of the design of FIG. 1;  
FIG. 4 is a bottom view of the design of FIG. 1;  
FIG. 5 is an elevated perspective view of the bottom of the design of FIG. 1; and,  
FIG. 6 is an elevated perspective view of the top of the design of FIG. 1.

**1 Claim, 6 Drawing Sheets**



OTHER PUBLICATIONS

Emerson, "Ceiling Fans Research & Development" catalog, Jan. 2001, USA.

"Hampton Bay," promotional piece, date unknown, USA.

The Beacon, "Neon is a gas: local firm produces signs, architectural lighting," Newspaper Article, Aug. 1998, USA.

Nicor Website: [www.nicorlighting.com](http://www.nicorlighting.com), Jul. 5, 2002, various ceiling fan photographs.

Regency Ceiling Fans, "Tropic Air" promotional piece brochure, Copyright 2001, USA.

Furniture Style, Tahitian Ceiling Fan, magazine article Concord product advertisement, Dec. 2001, USA.

Home Lighting & Accessories, "Vintage Crown Collection," magazine article, Concord product advertisement, Dec. 2001, USA.

Fanimation, "Unique Ceiling, Wall & Floor Fans," catalog, Jan. 2002, USA.

The Fan Collector Magazine, vol. 16, No. 3, Jun. 2003.

\* cited by examiner

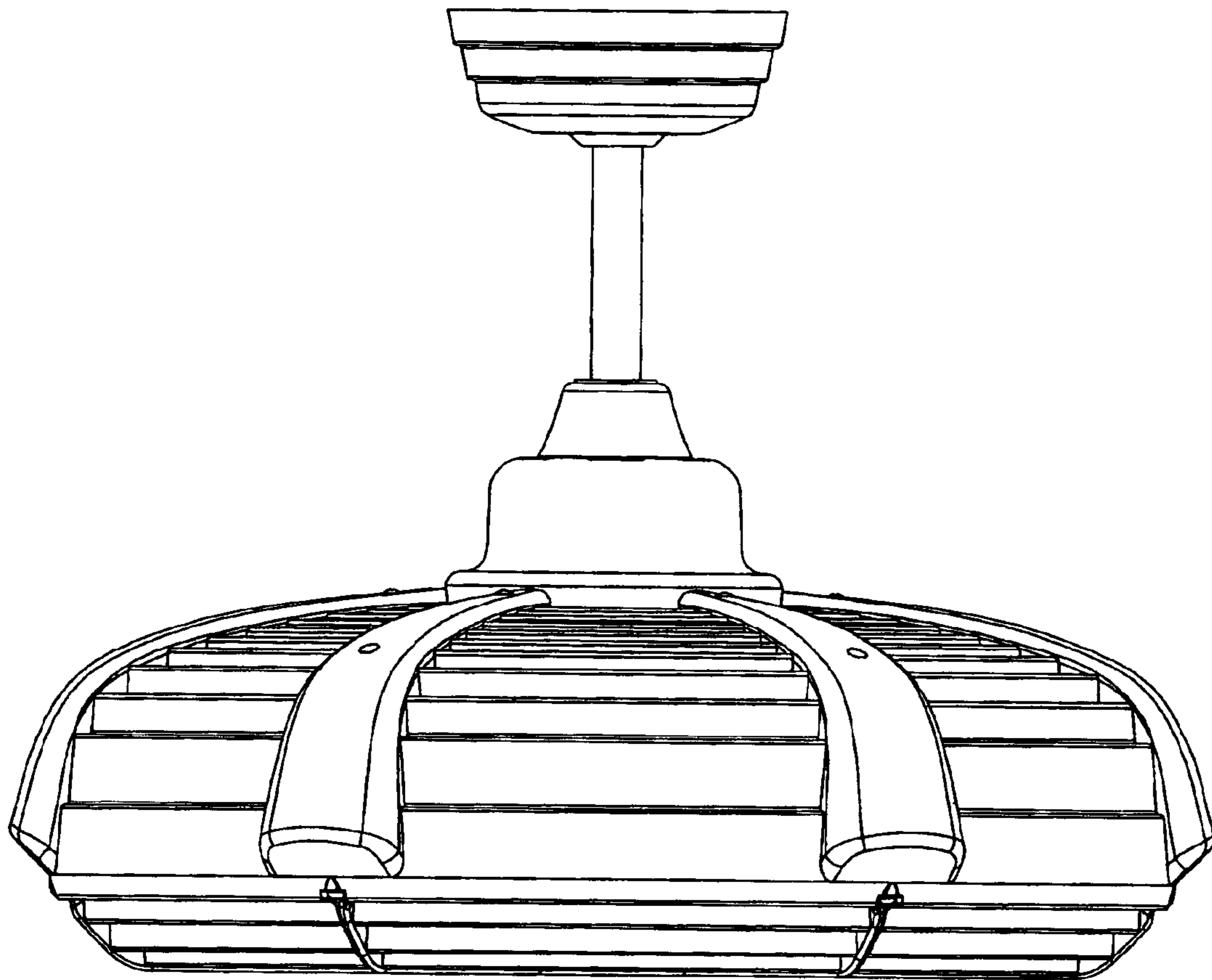


Fig. 1

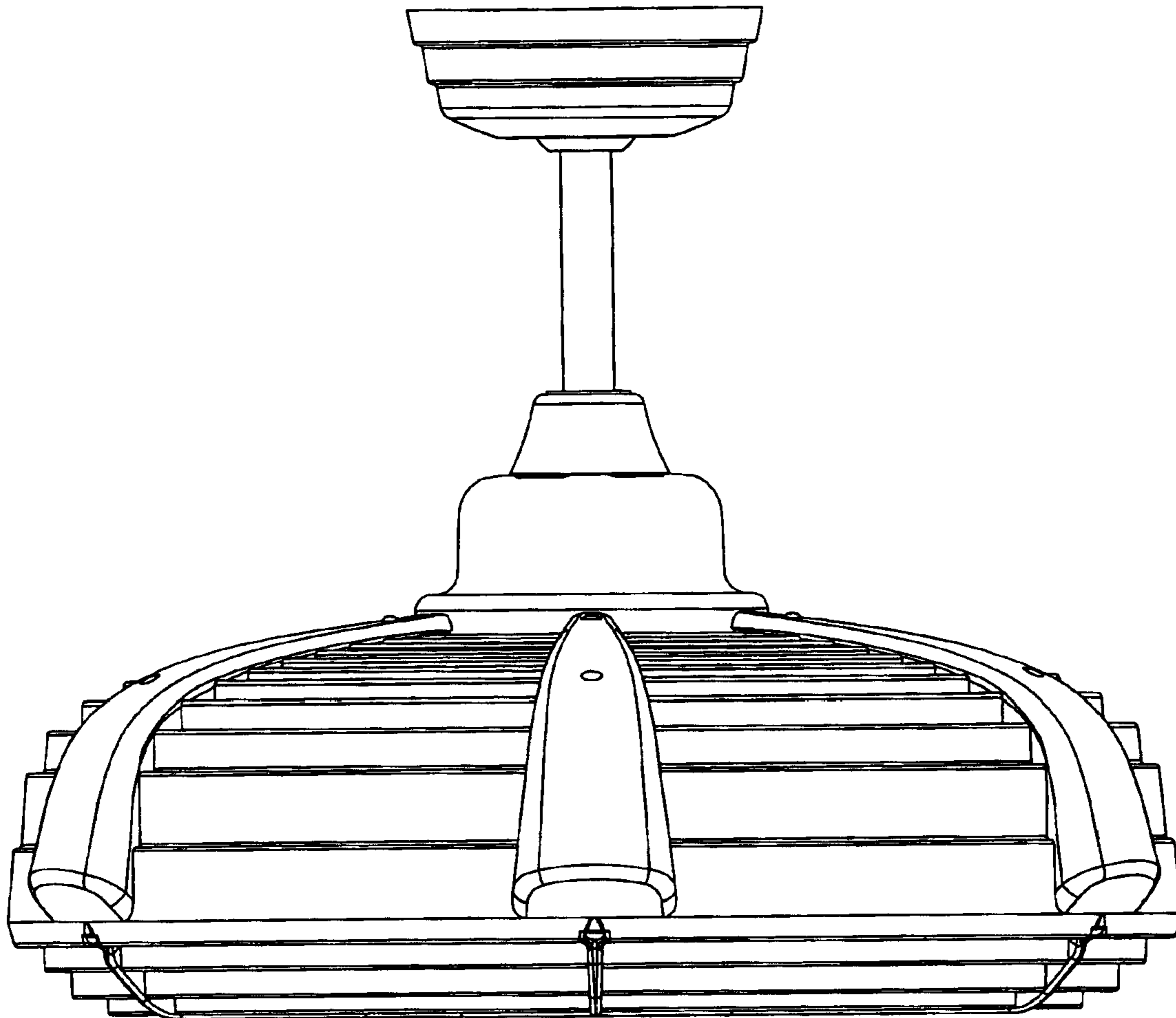


Fig. 2

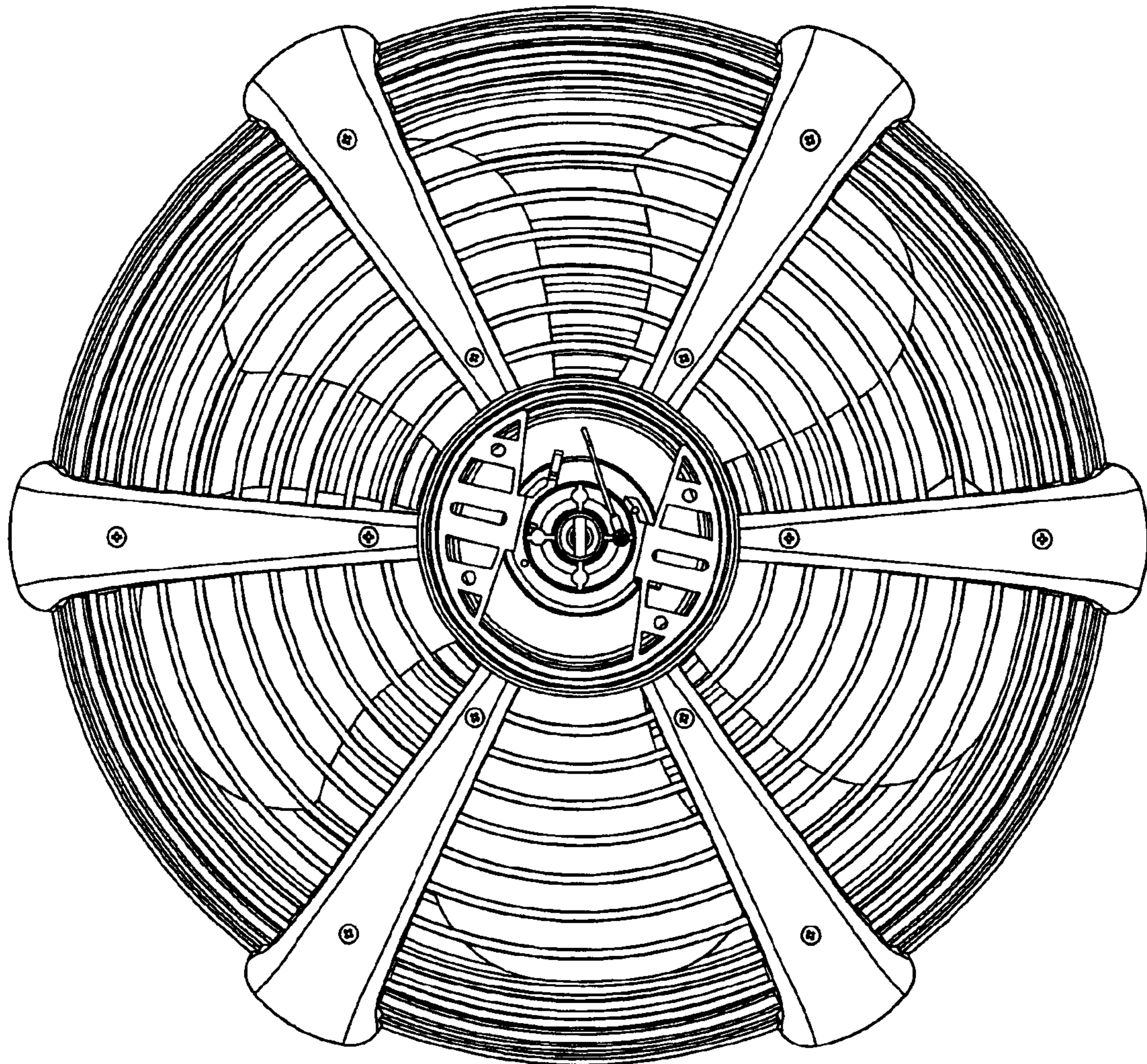


Fig. 3

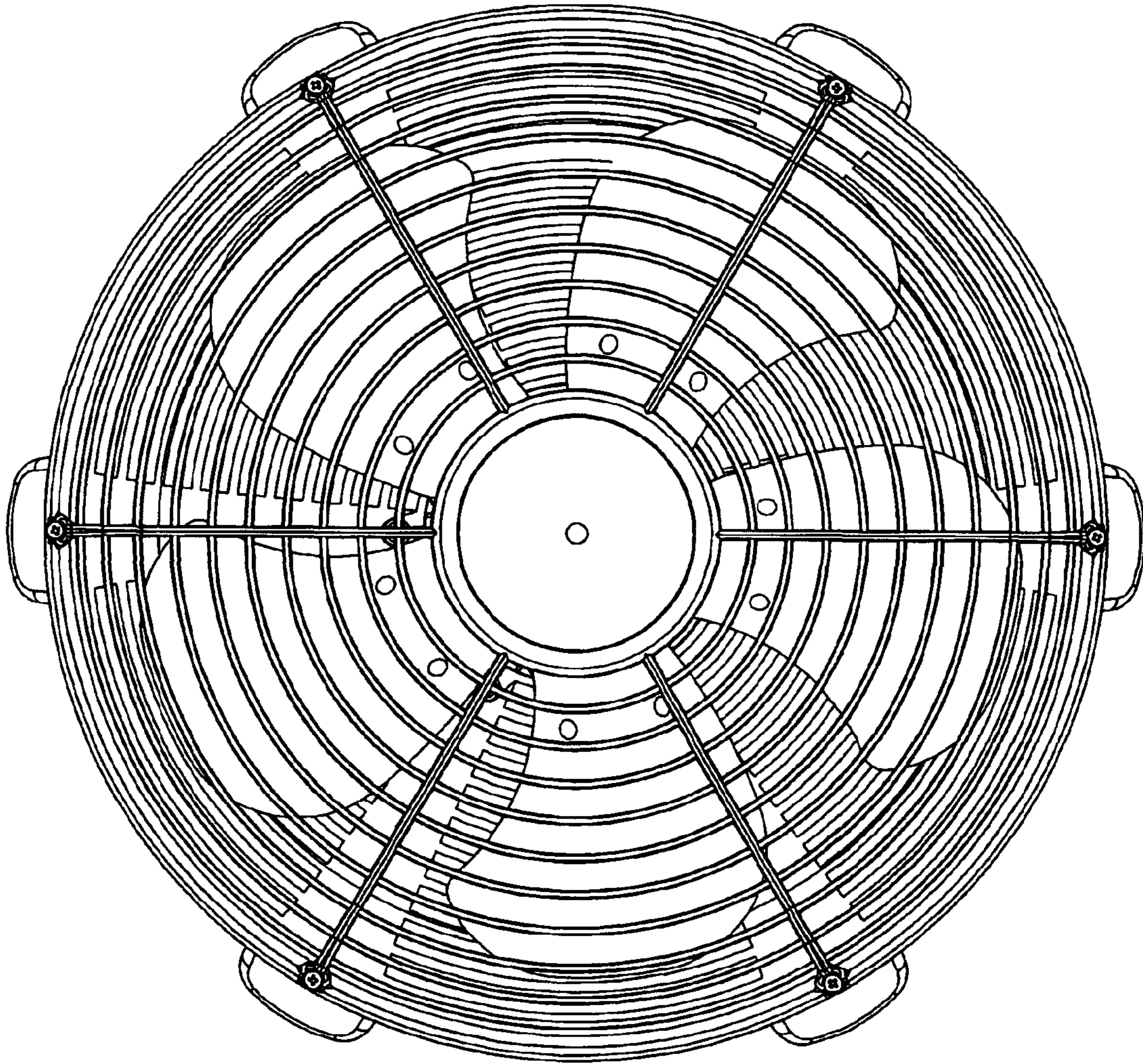


Fig. 4

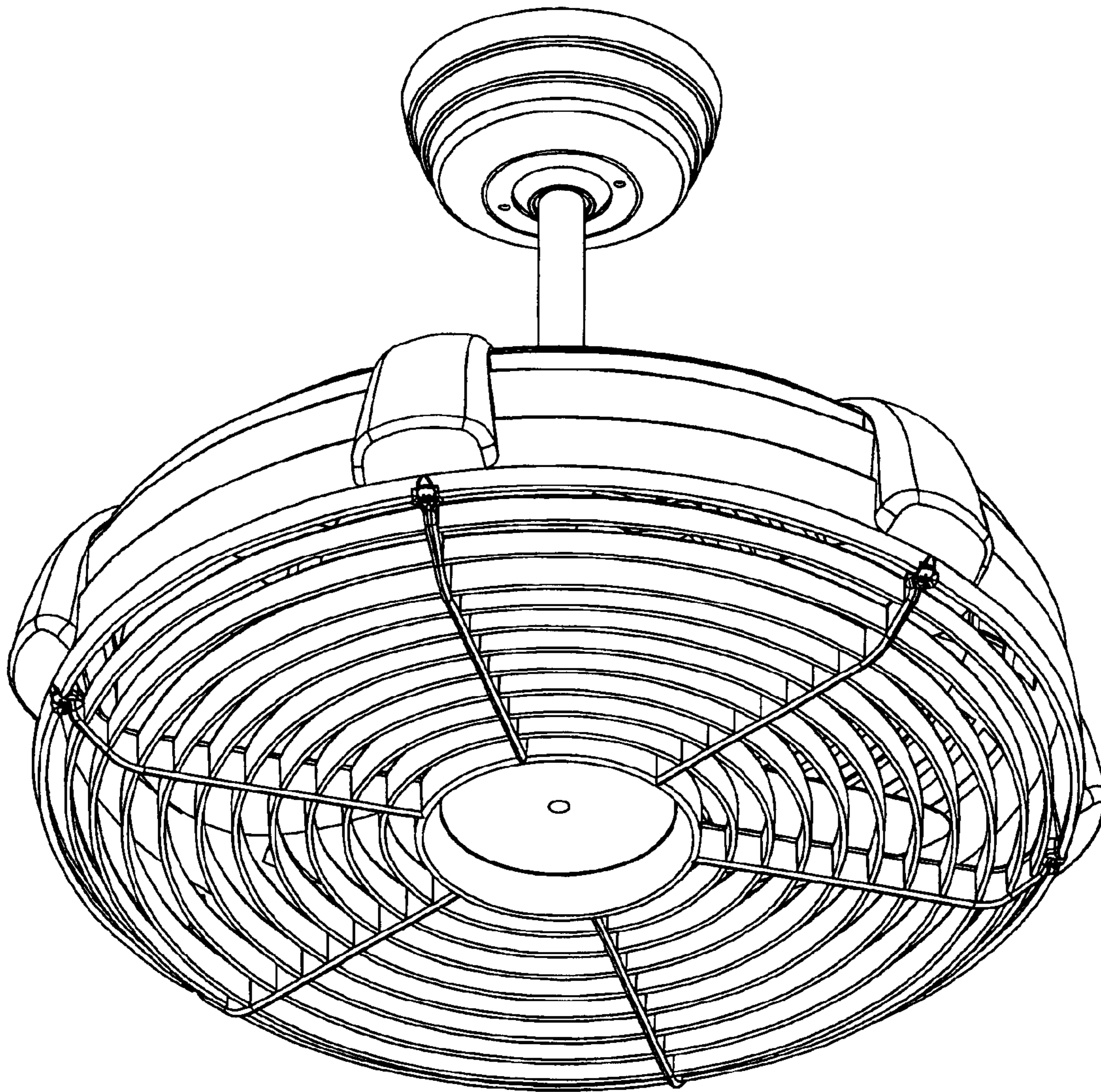


Fig. 5

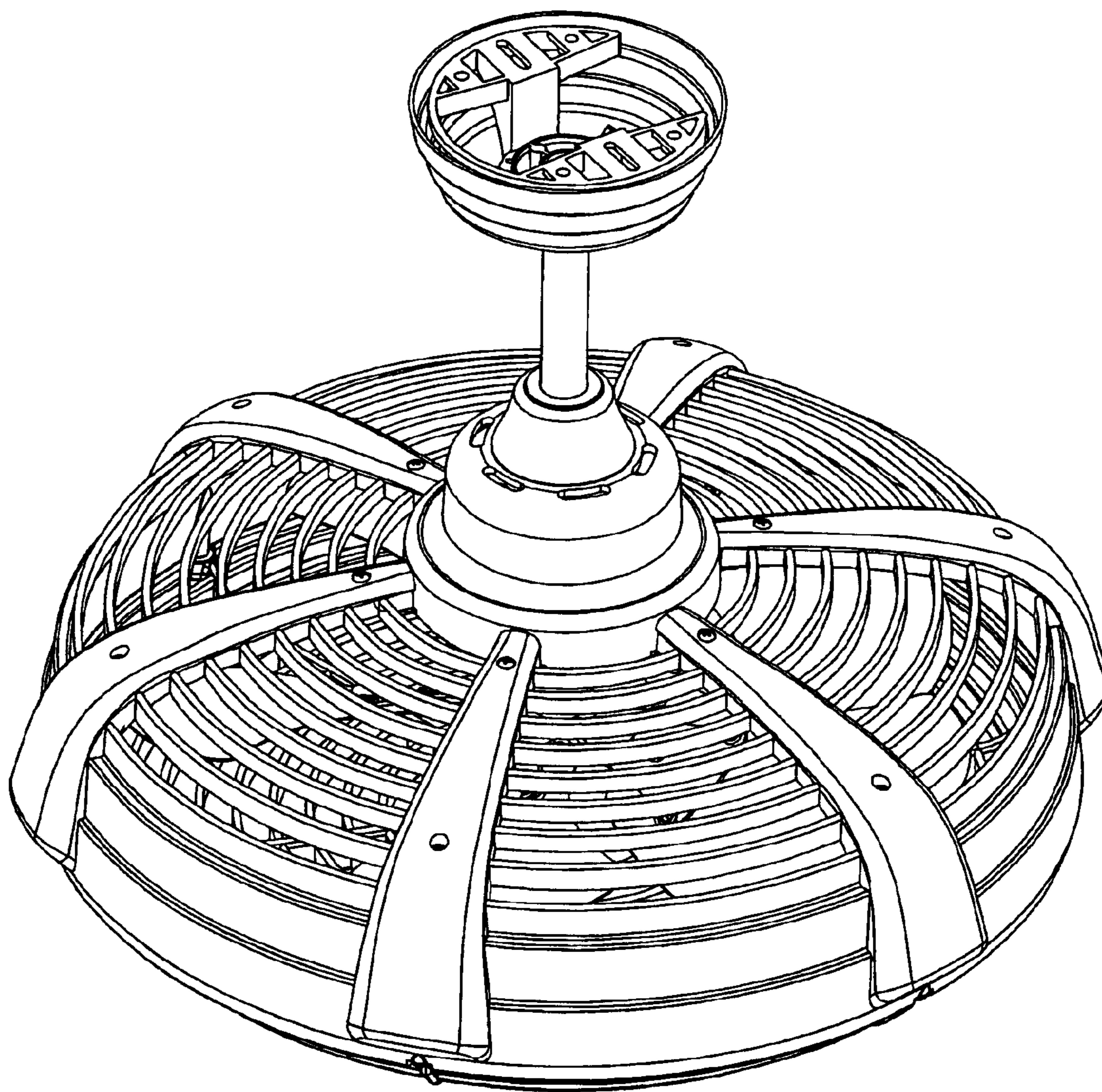


Fig. 6