

US00D548318S

(12) **United States Design Patent**
Copeman

(10) **Patent No.:** **US D548,318 S**

(45) **Date of Patent:** **** Aug. 7, 2007**

(54) **AIR FRESHENER DEVICE**

(75) Inventor: **Matthew Copeman**, Hull (GB)

(73) Assignee: **Reckitt Benckiser (UK) Limited**,
Berkshire (GB)

(**) Term: **14 Years**

(21) Appl. No.: **29/259,279**

(22) Filed: **May 5, 2006**

(30) **Foreign Application Priority Data**

Nov. 8, 2005 (EM) 000428602

(51) **LOC (8) Cl.** **23-99**

(52) **U.S. Cl.** **D23/366**

(58) **Field of Classification Search** 392/341,
392/342, 386, 390, 392-394, 401-406; D28/5,
D28/6; 239/34-35, 53-60, 135-136, 338,
239/326-327; D23/355-369; 261/DIG. 17,
261/DIG. 42, DIG. 65, DIG. 88, DIG. 89
See application file for complete search history.

(56) **References Cited**

U.S. PATENT DOCUMENTS

5,483,616 A * 1/1996 Chiu et al. 392/406

D383,201 S * 9/1997 Jane' et al. D23/358
D384,140 S * 9/1997 Jane' et al. D23/356
D498,295 S * 11/2004 Choi D23/356
D525,693 S * 7/2006 Butler et al. D23/366

* cited by examiner

Primary Examiner—Sandra Snapp

(74) *Attorney, Agent, or Firm*—Norris McLaughlin &
Marcus, PA

(57) **CLAIM**

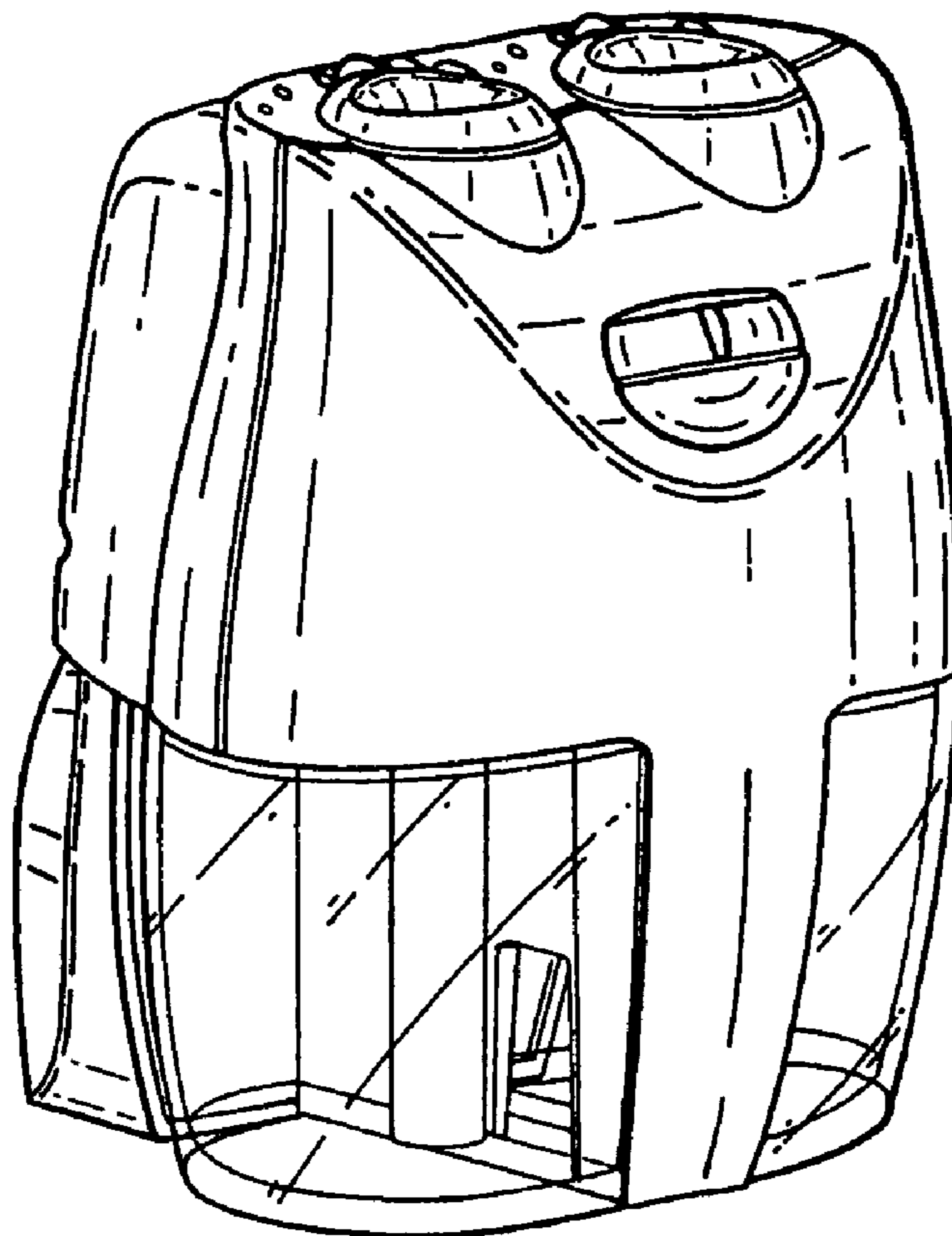
The ornamental design for an air freshener device, as shown
and described.

DESCRIPTION

FIG. 1 is a front perspective view of an air freshener device;
FIG. 2 is an elevation view of the rear thereof;
FIG. 3 is an elevation view of the front thereof;
FIG. 4 is a plan view of the top thereof;
FIG. 5 is a plan view of the bottom thereof;
FIG. 6 is an elevation view of the right side thereof; and,
FIG. 7 is an elevation view of the left side thereof.

The broken lines shown in FIGS. 1-7 are for illustrative
purposes only and form no part of the claimed design.

1 Claim, 3 Drawing Sheets



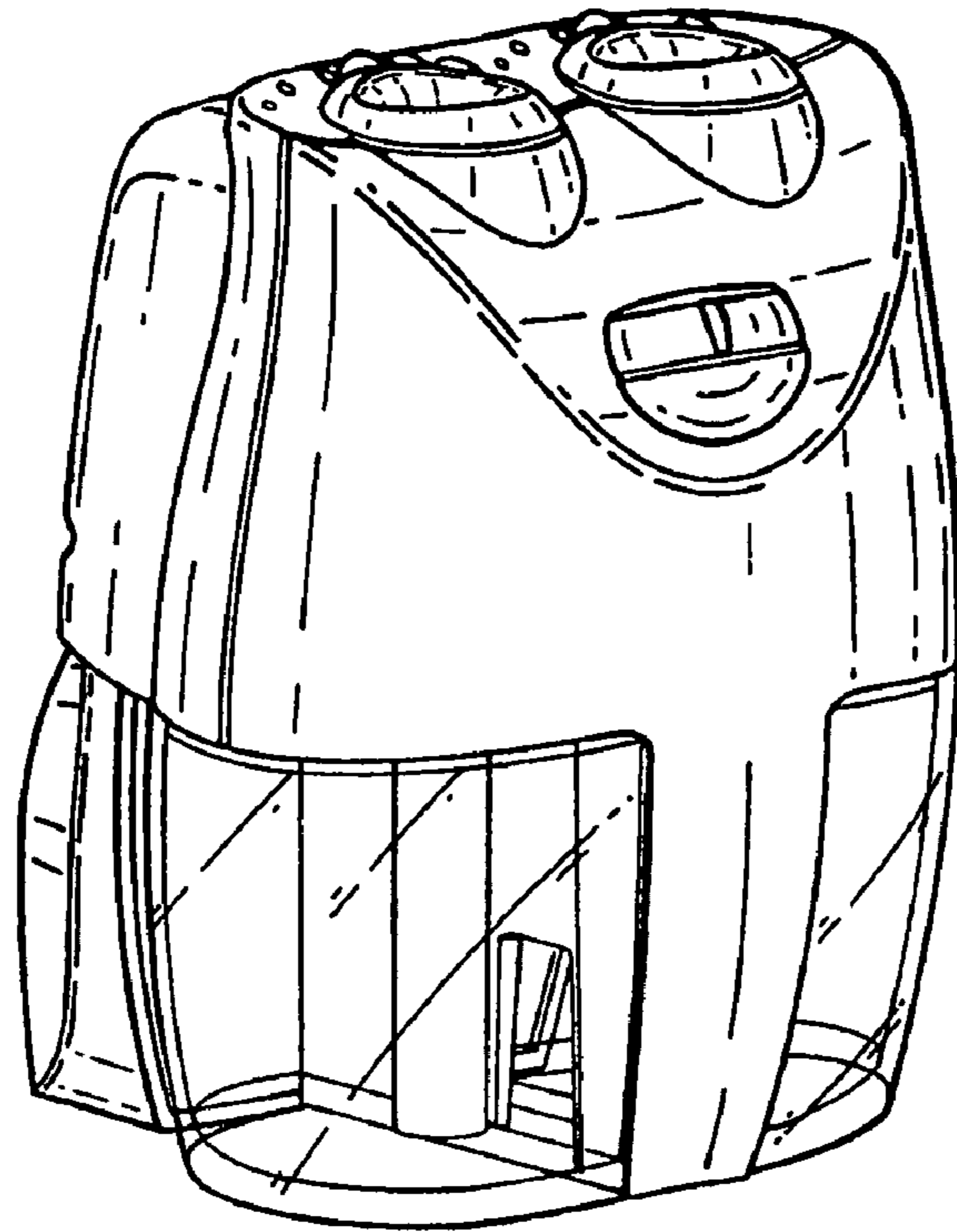


Fig. 1.

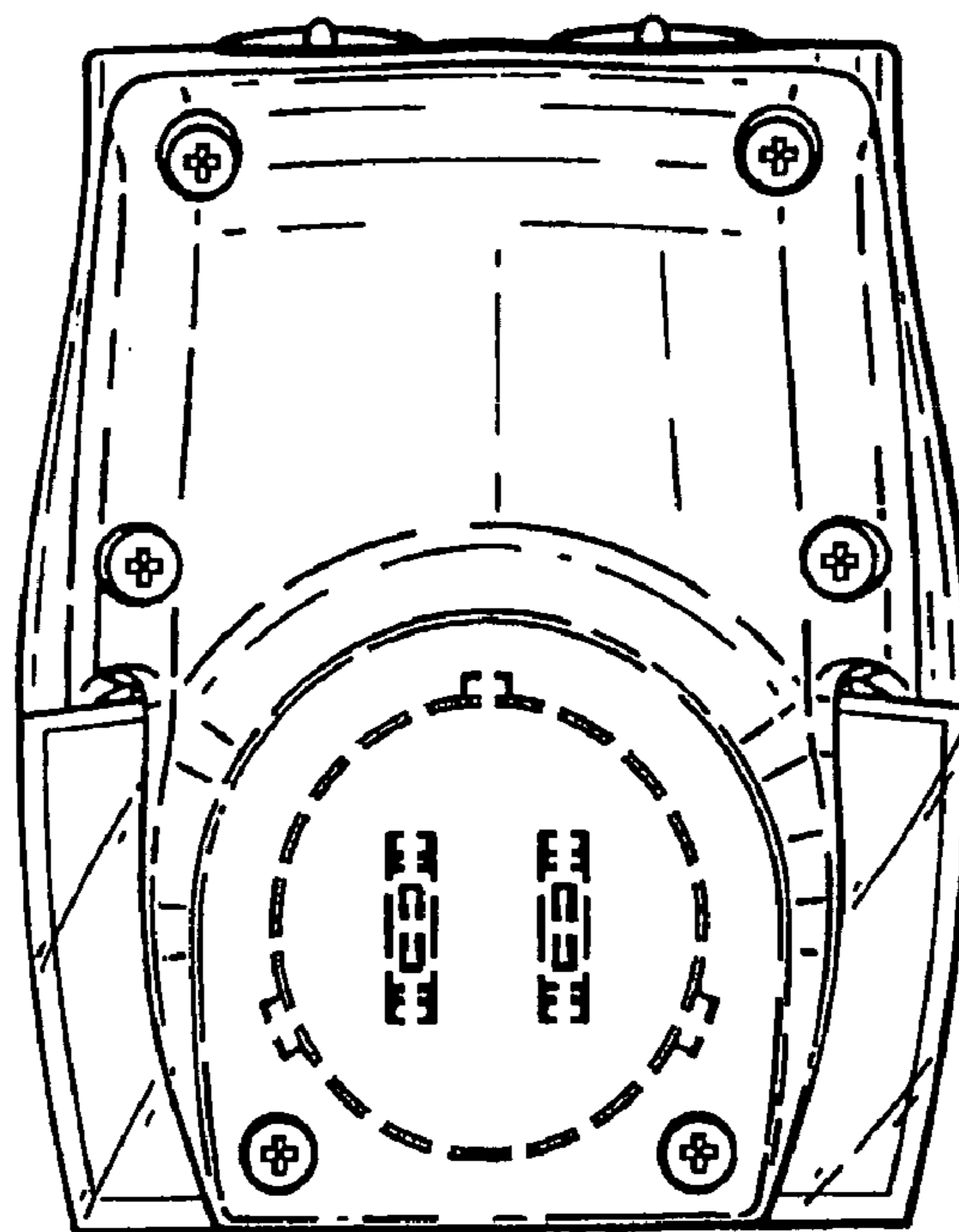


Fig. 2.

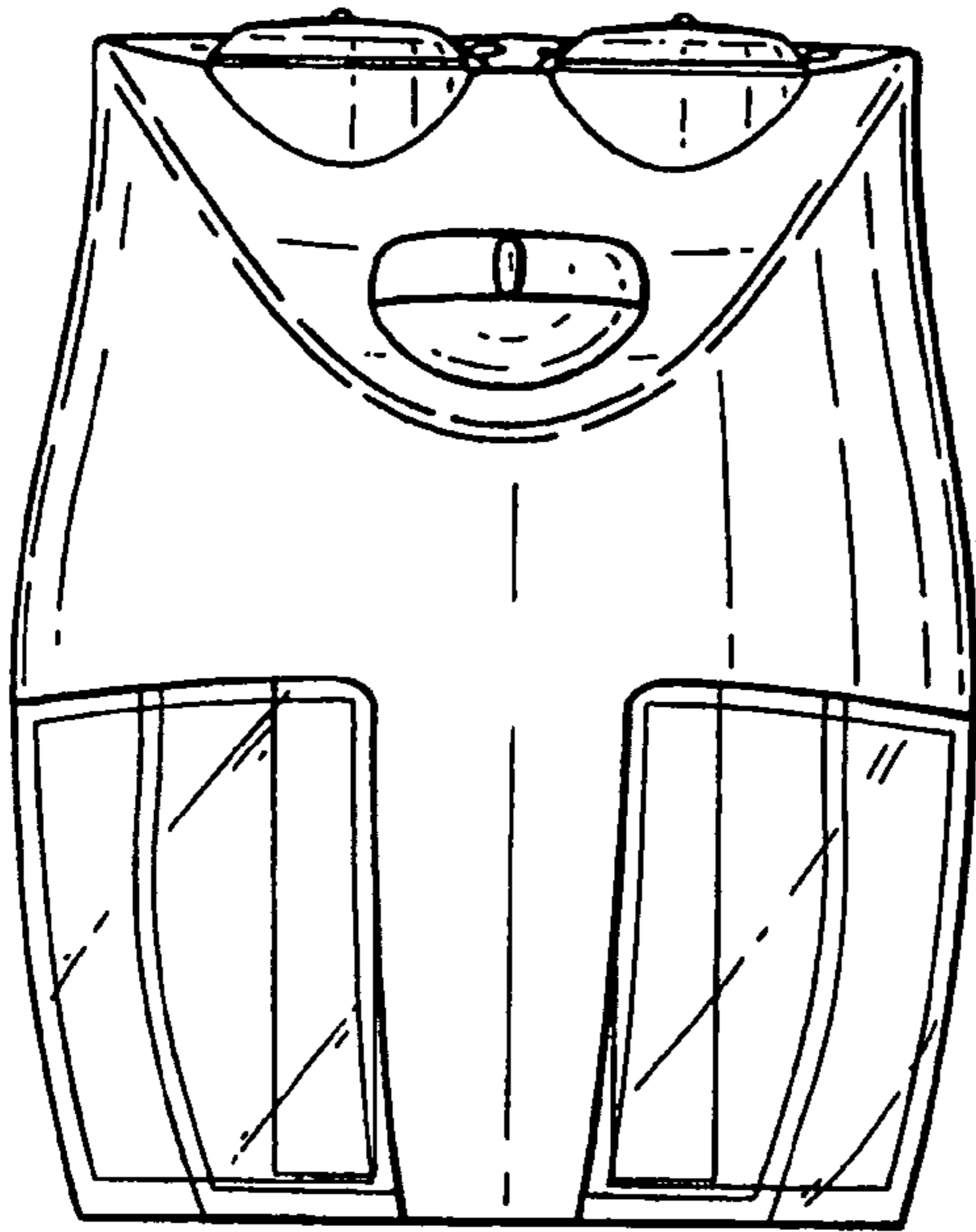


Fig.3.

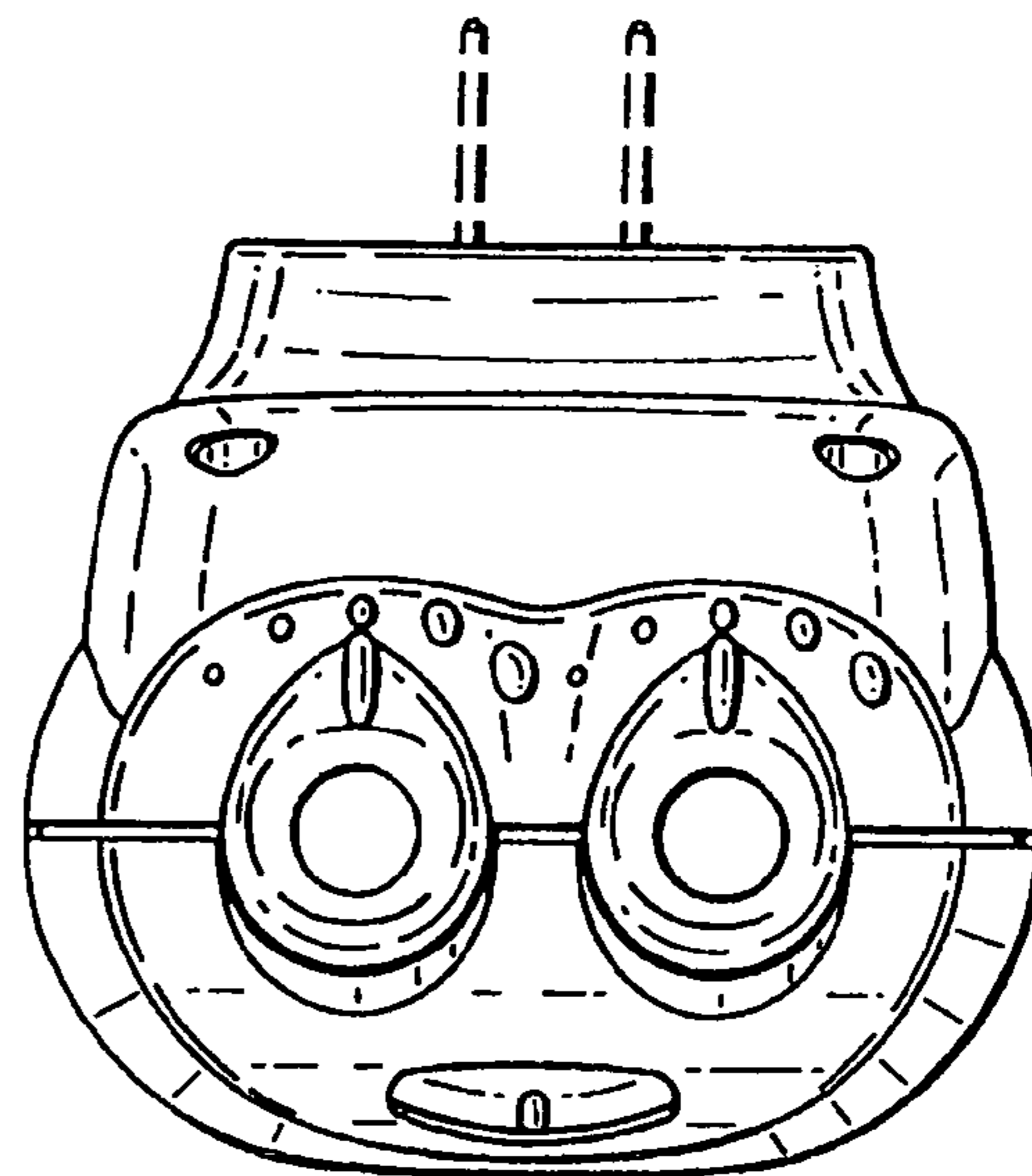


Fig.4.

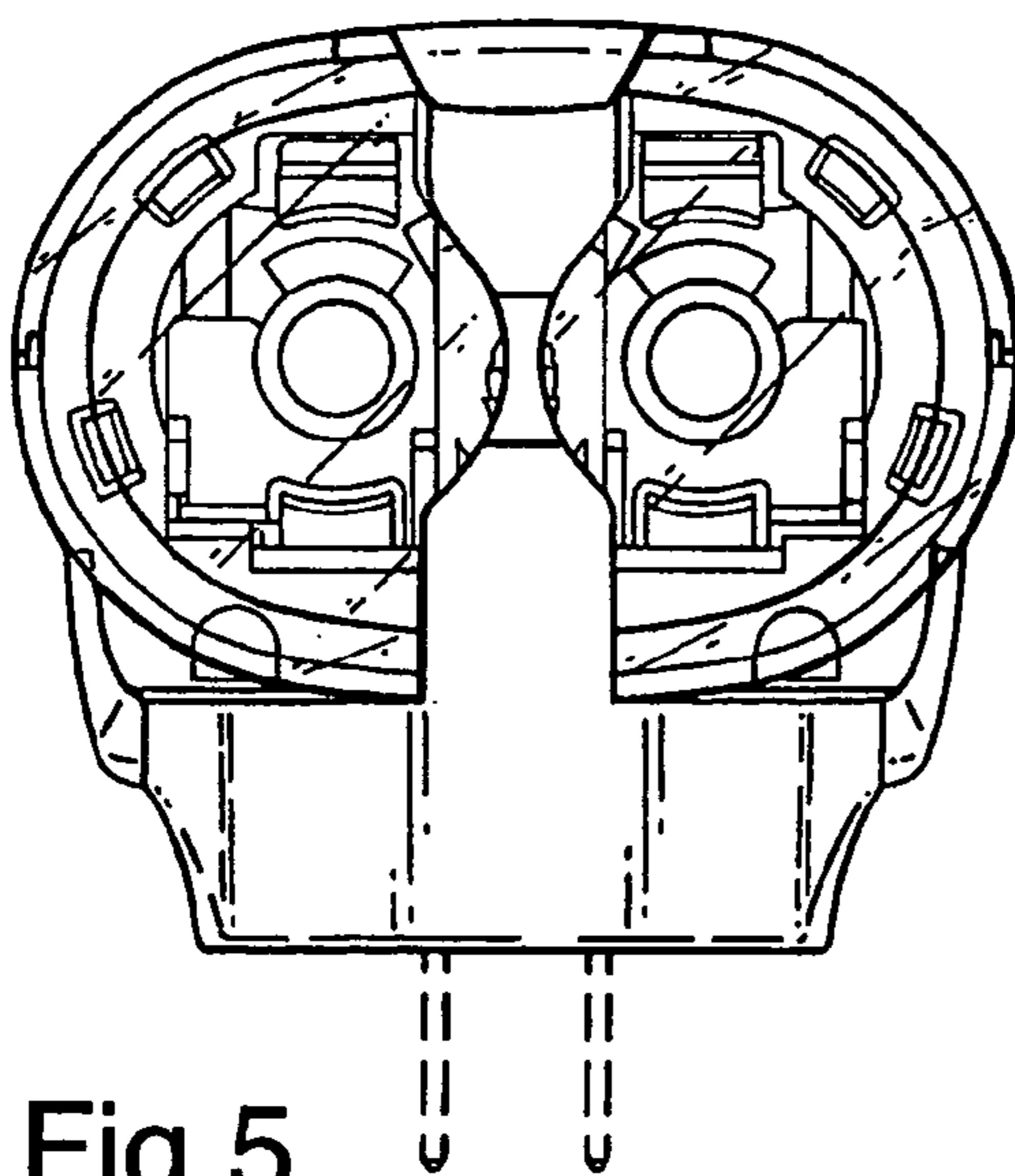


Fig.5.

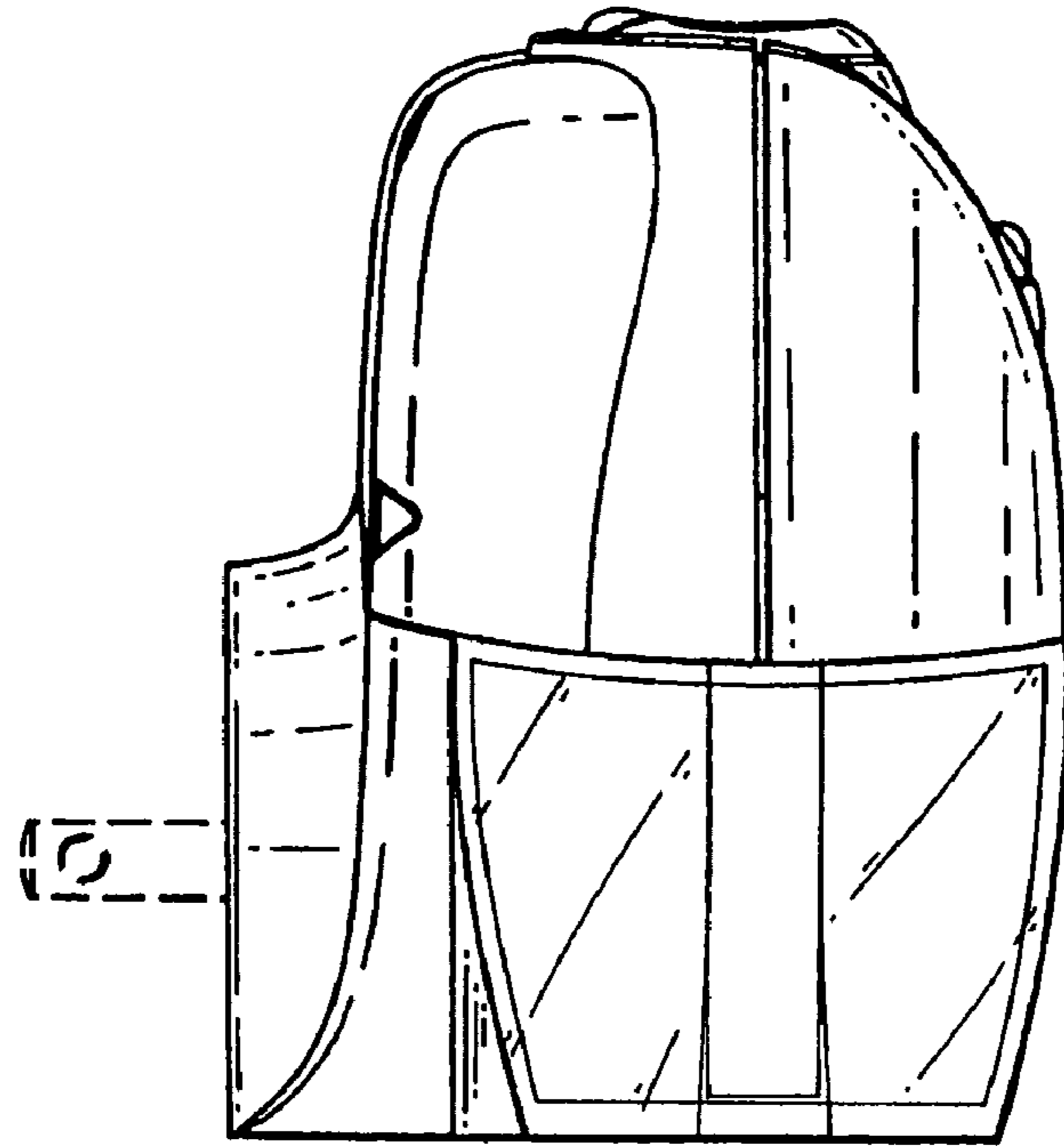


Fig.6.

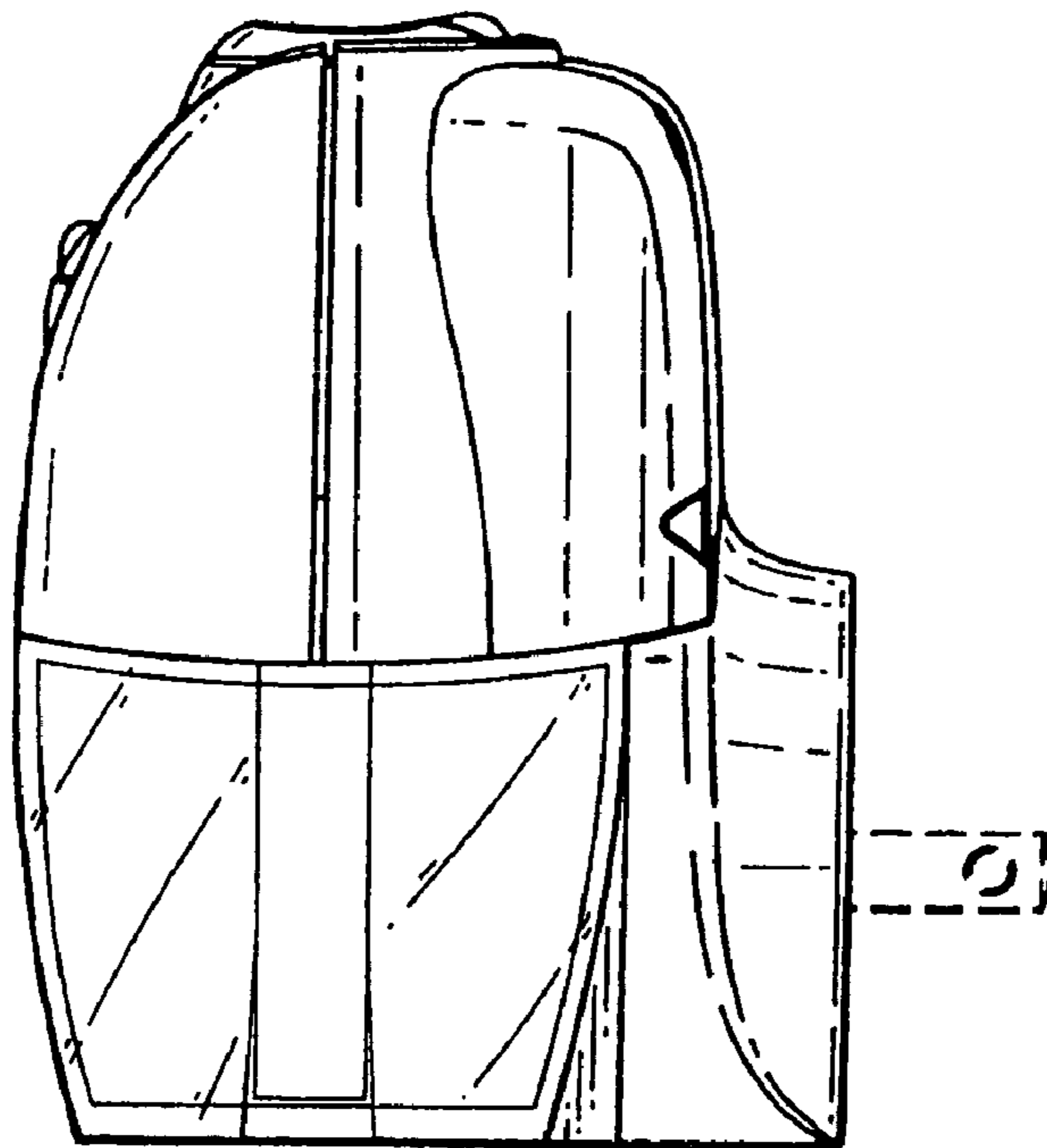


Fig.7.