

US00D548317S

(12) **United States Design Patent** (10) **Patent No.:** **US D548,317 S**
Newton et al. (45) **Date of Patent:** **** Aug. 7, 2007**

(54) **AIR FRESHENER DEVICE**

(75) Inventors: **Paul Newton**, Hull (GB); **Philip William Goreham**, Hull (GB); **Will Smith**, London (GB); **David Kennedy**, Hull (GB); **Chaz Nandra**, London (GB)

(73) Assignee: **Reckitt Benckiser (UK) Limited**, Slough, Berkshire (GB)

(**) Term: **14 Years**

(21) Appl. No.: **29/257,612**

(22) Filed: **Apr. 7, 2006**

(30) **Foreign Application Priority Data**

Oct. 14, 2005 (EM) 000417779

(51) **LOC (8) Cl.** **23-99**

(52) **U.S. Cl.** **D23/366**

(58) **Field of Classification Search** 392/341, 392/342, 386, 390, 392-394, 401-406; D28/5, D28/6; 239/34-35, 53-60, 135-136, 326-327, 239/338; D23/355-369; 261/DIG. 17, DIG. 42, 261/DIG. 65, DIG. 88, DIG. 89
See application file for complete search history.

(56) **References Cited**

U.S. PATENT DOCUMENTS

- D103,209 S * 2/1937 Beiser D9/663
- D128,935 S * 8/1941 Derham et al. D9/451
- D141,003 S * 4/1945 Derham D9/451
- D180,916 S * 9/1957 Perlman D9/663

(Continued)

Primary Examiner—Sandra Snapp
(74) *Attorney, Agent, or Firm*—Norris McLaughlin & Marcus, PA

(57) **CLAIM**

The ornamental design for an air freshener device, as shown and described.

DESCRIPTION

FIG. 1 is a top perspective view of a first embodiment of our air freshener device;

FIG. 2 is a bottom perspective view of said first embodiment thereof;

FIG. 3 is an elevation view of the rear of said first embodiment thereof;

FIG. 4 is an elevation view of the front of said first embodiment thereof;

FIG. 5 is an elevation view of the right side of said first embodiment thereof;

FIG. 6 is a plan view of the top of said first embodiment thereof;

FIG. 7 is a plan view of the bottom of said first embodiment thereof;

FIG. 8 is a top perspective view of a second embodiment of our air freshener device;

FIG. 9 is a bottom perspective view of said second embodiment thereof;

FIG. 10 is an elevation view of the rear of said second embodiment thereof;

FIG. 11 is an elevation view of the front of said second embodiment thereof;

FIG. 12 is an elevation view of the right side of said second embodiment thereof;

FIG. 13 is a plan view of the top of said second embodiment thereof; and,

FIG. 14 is a plan view of the bottom of said second embodiment thereof.

The broken lines shown in the drawings are for illustrative purposes only and form no part of the claimed design.

1 Claim, 8 Drawing Sheets



US D548,317 S

Page 2

U.S. PATENT DOCUMENTS

D224,783 S *	9/1972	Jones	D23/369	D390,941 S *	2/1998	Cessaroni et al.	D23/367
D289,678 S *	5/1987	Kwiatkowski	D23/367	D397,460 S *	8/1998	Chambers et al.	D26/9
4,928,881 A *	5/1990	Barlics et al.	239/44	D433,744 S *	11/2000	Basaganas	D23/366
D346,207 S *	4/1994	Martin	D23/367	D460,544 S *	7/2002	Garcia	D23/366
D353,004 S *	11/1994	Boland	D24/183	D509,894 S *	9/2005	Hoyt et al.	D23/366
D380,821 S *	7/1997	Chen	D23/367	D510,134 S *	9/2005	Lablaine	D23/366

* cited by examiner



Fig. 1

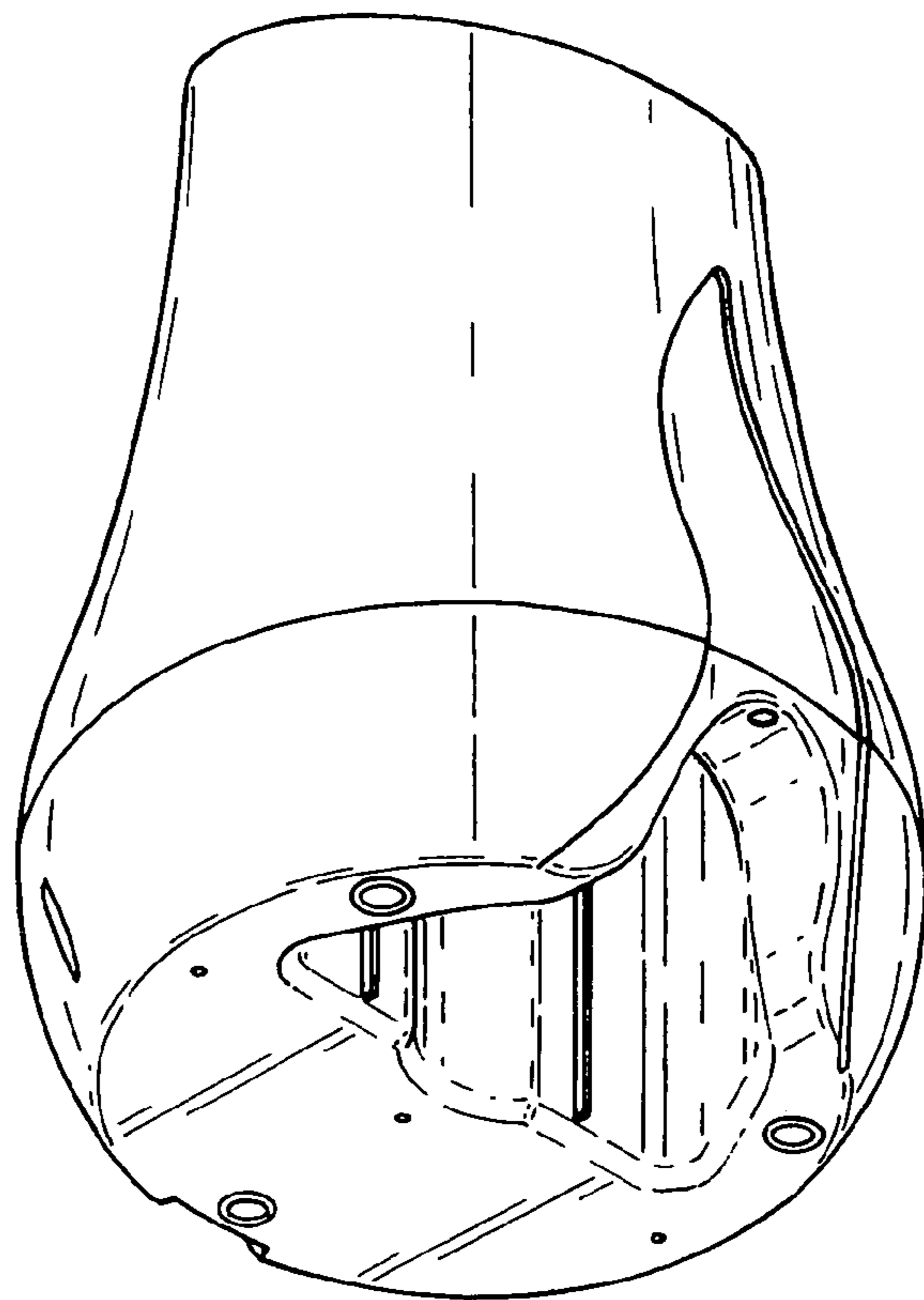


Fig. 2

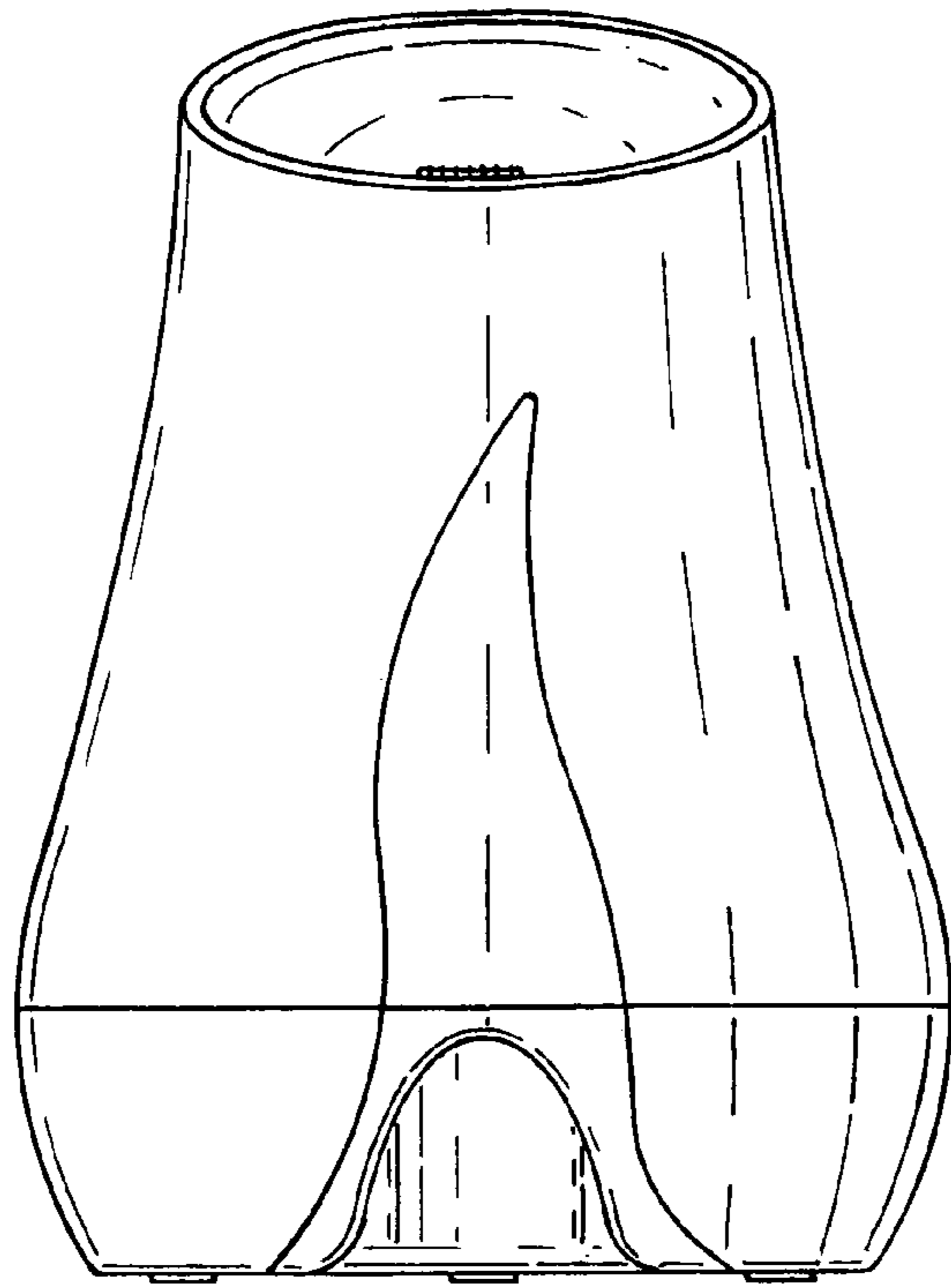


Fig. 3

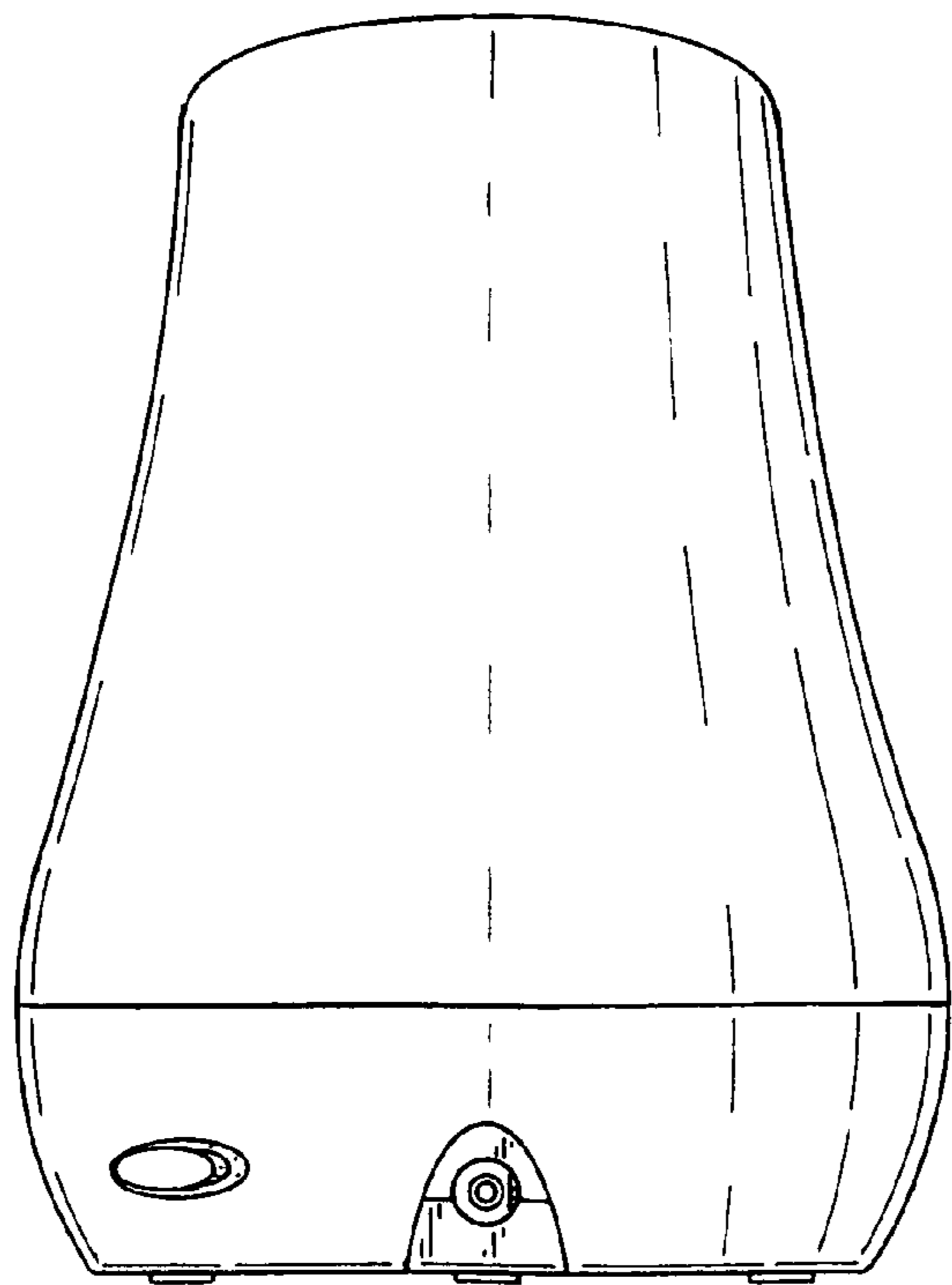


Fig. 4

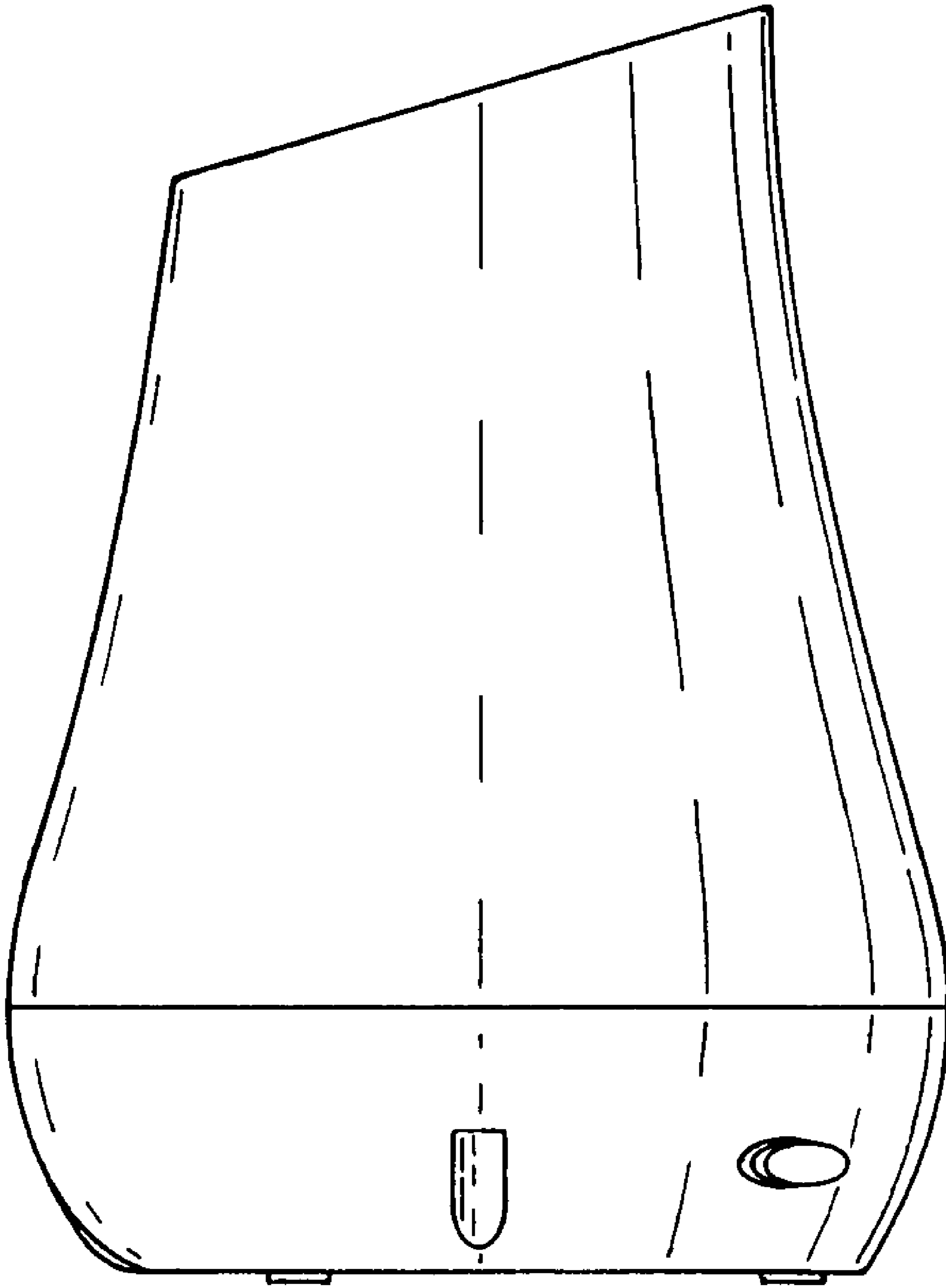


Fig. 5

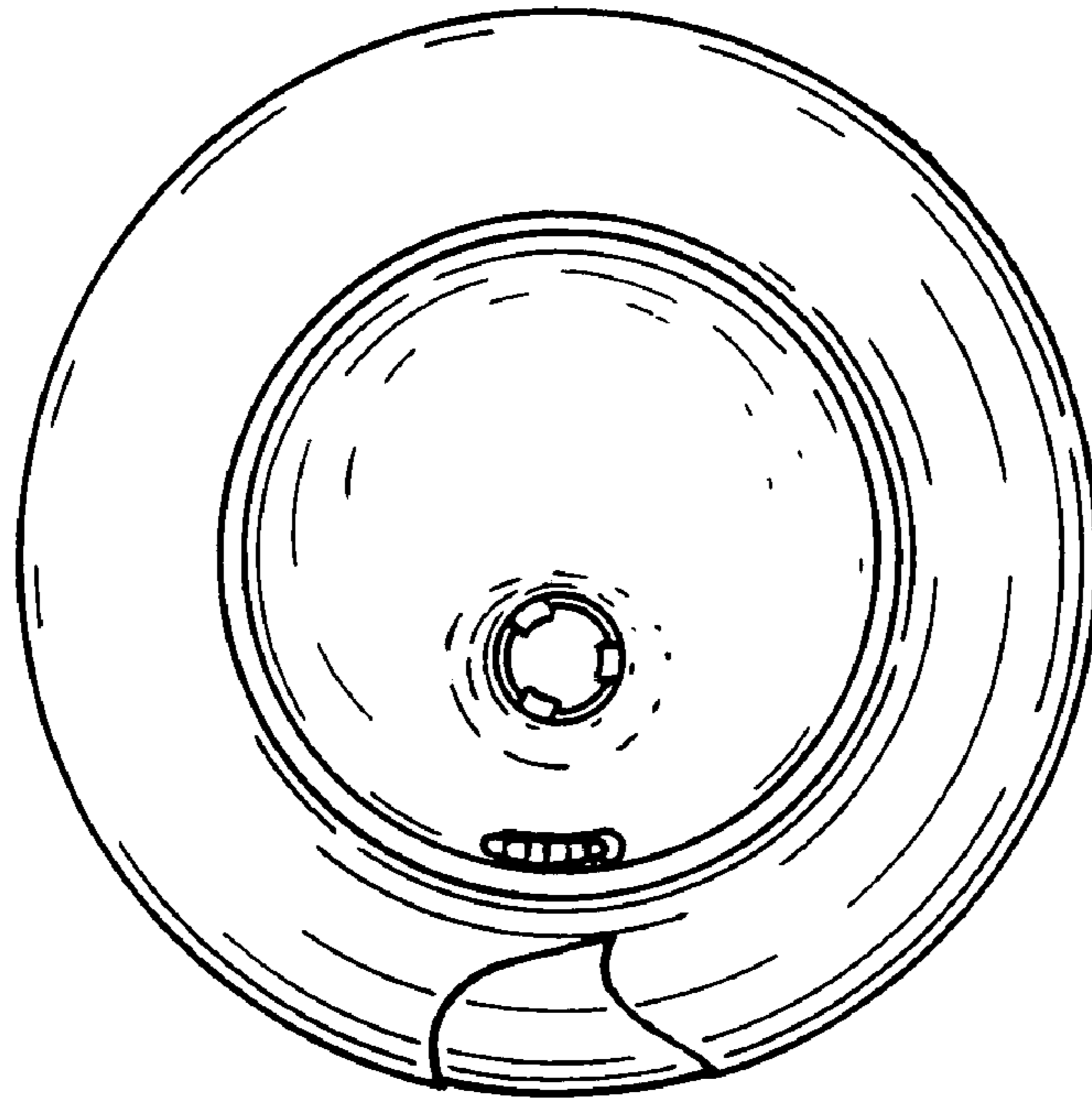


Fig. 6

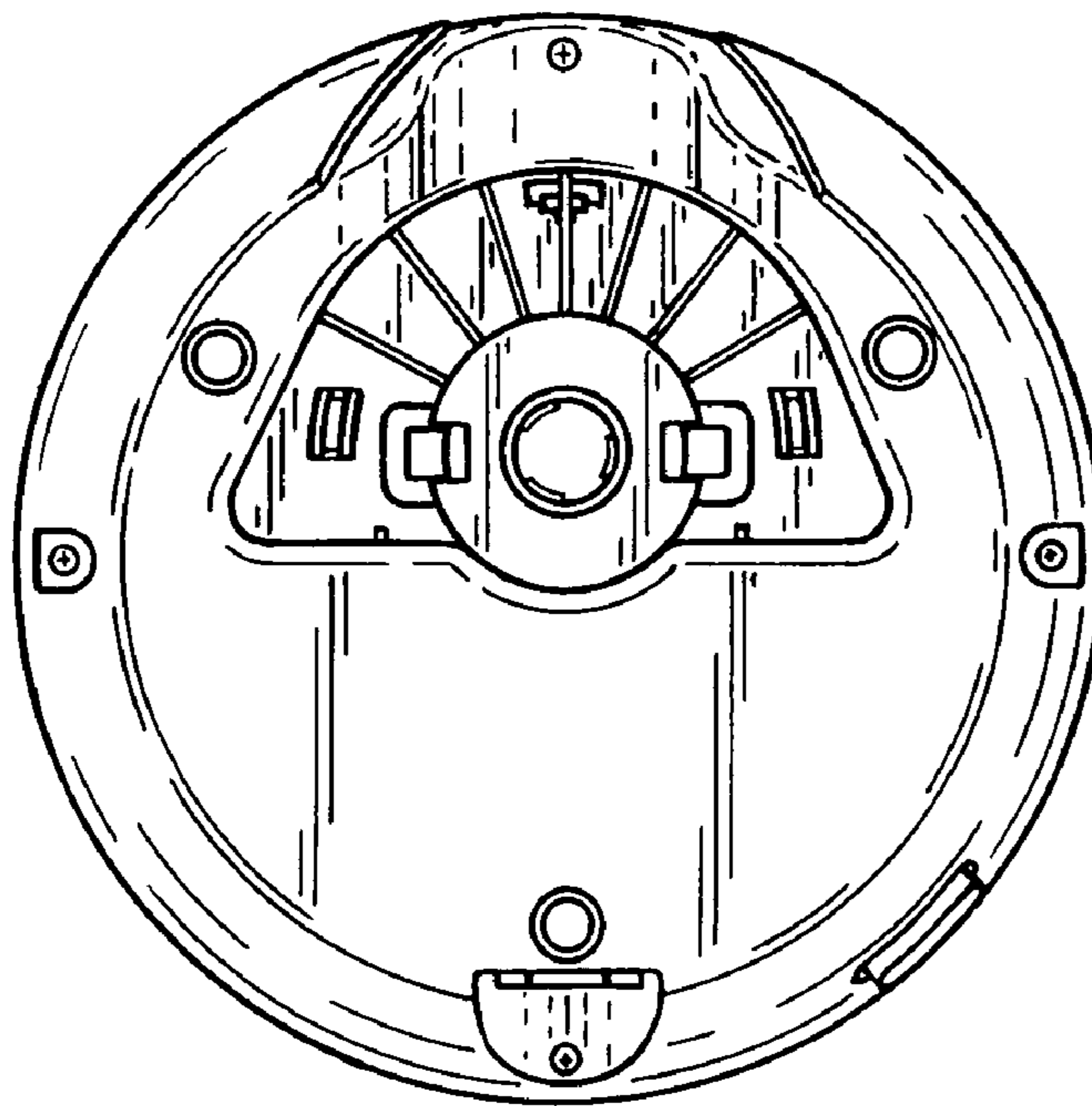


Fig. 7

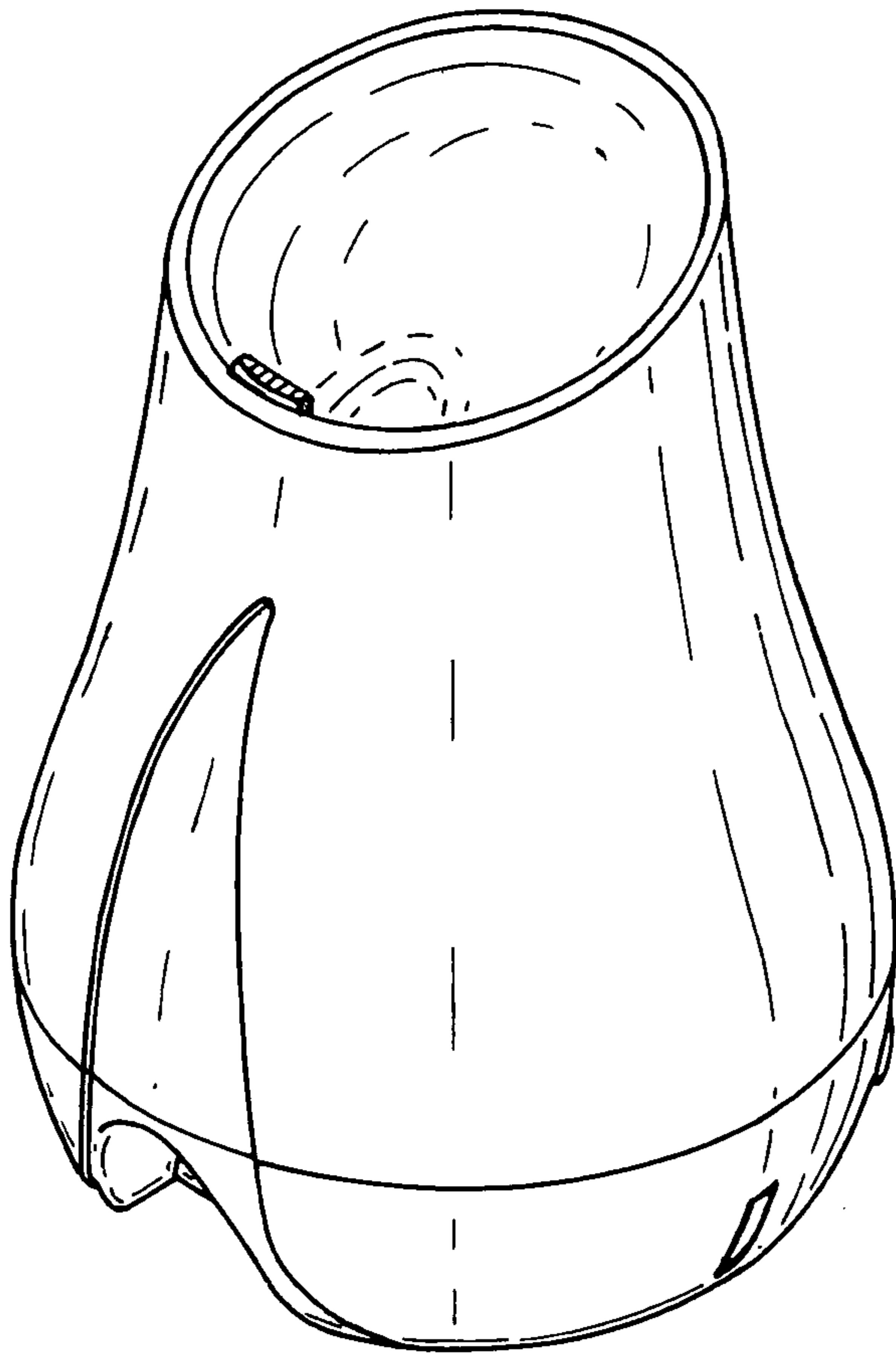


Fig. 8

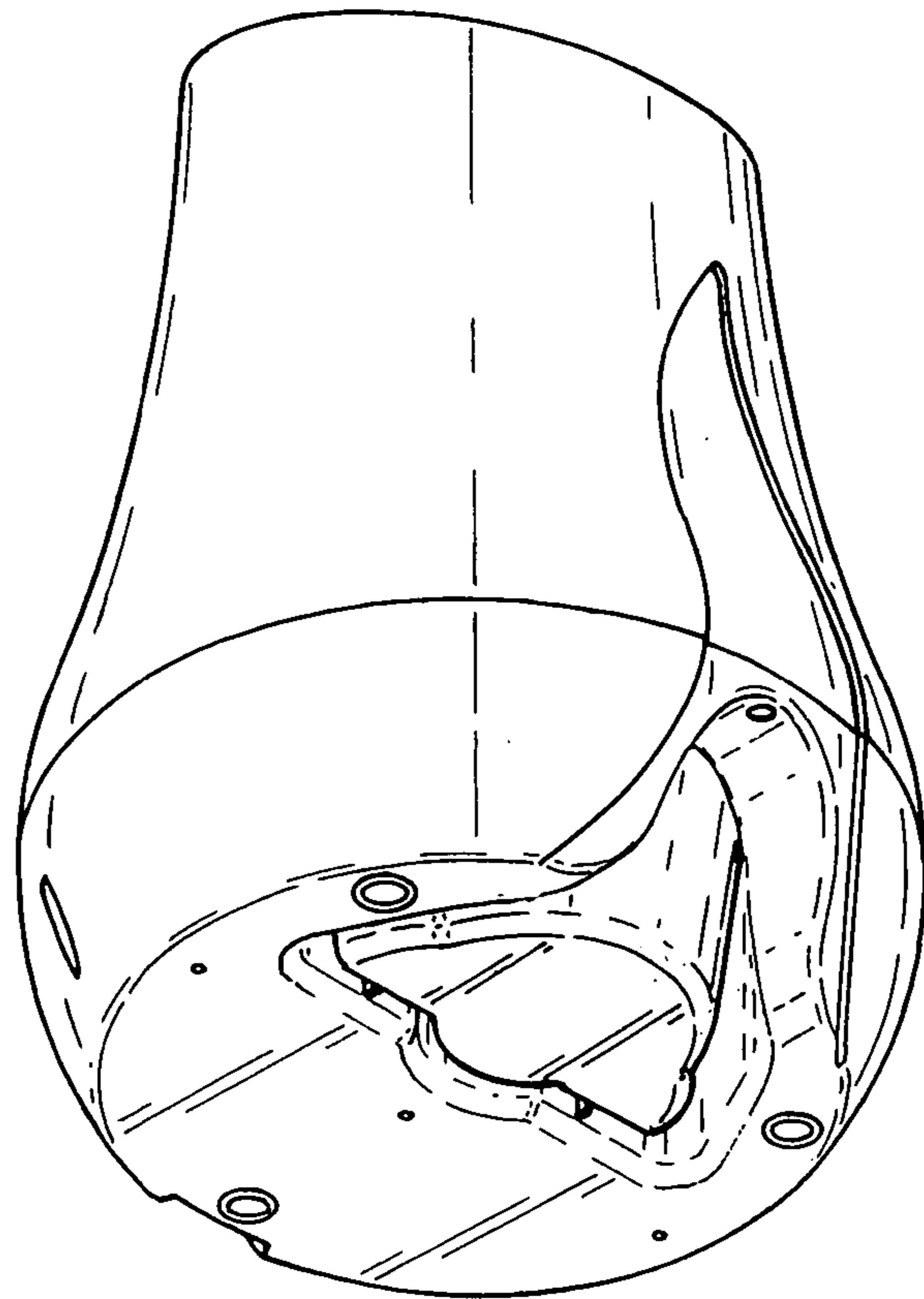


Fig. 9

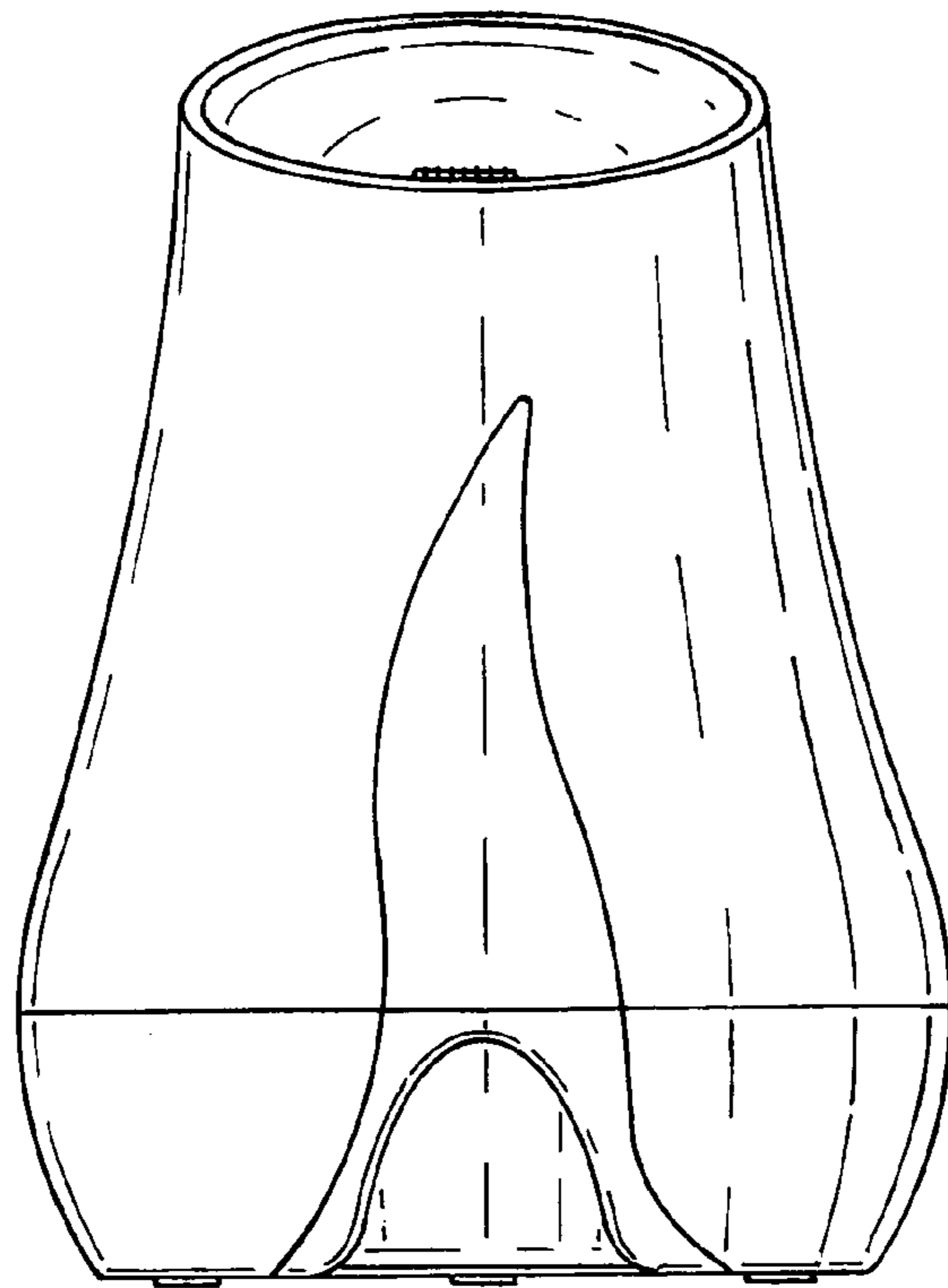


Fig. 10

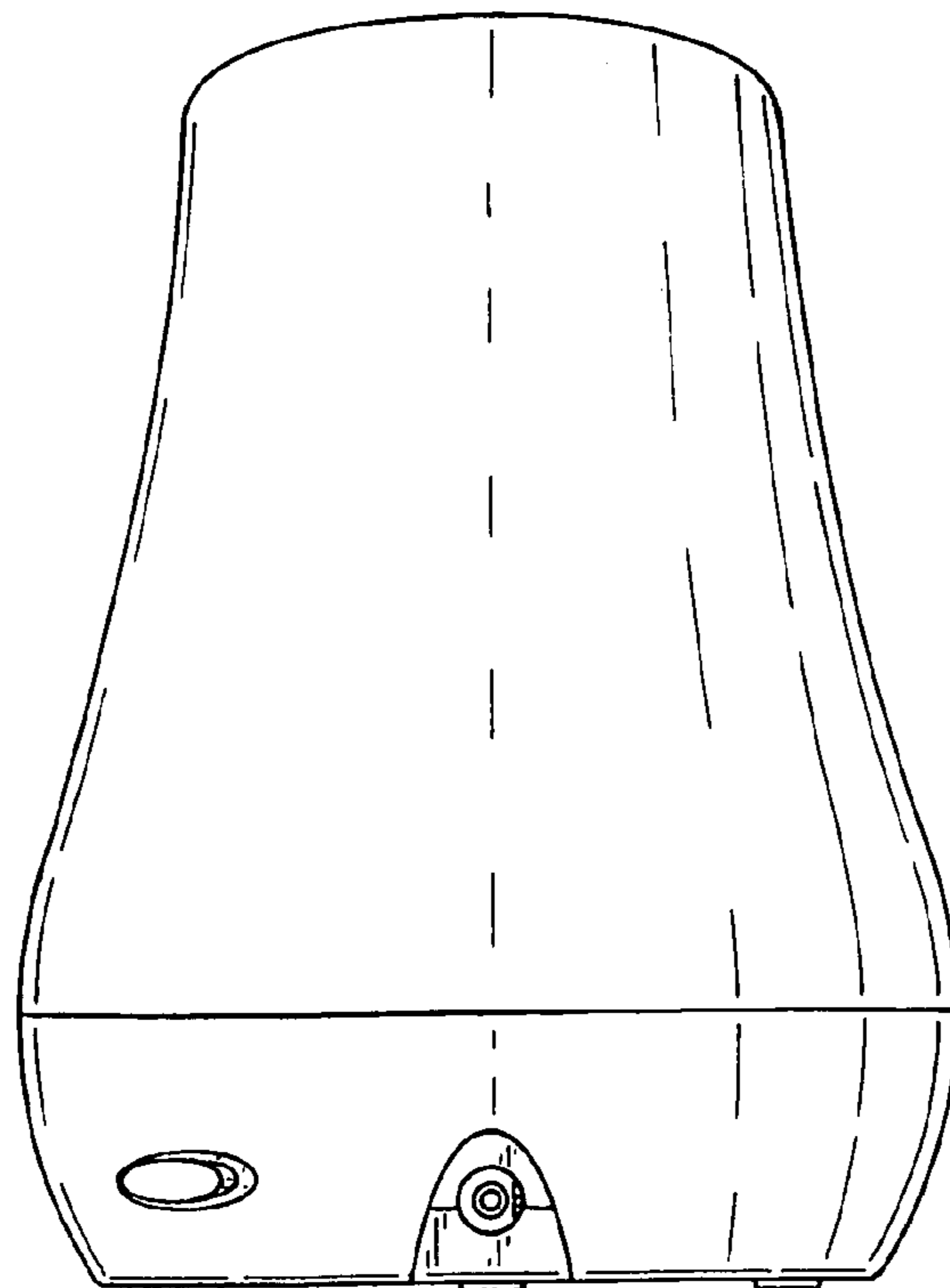


Fig. 11

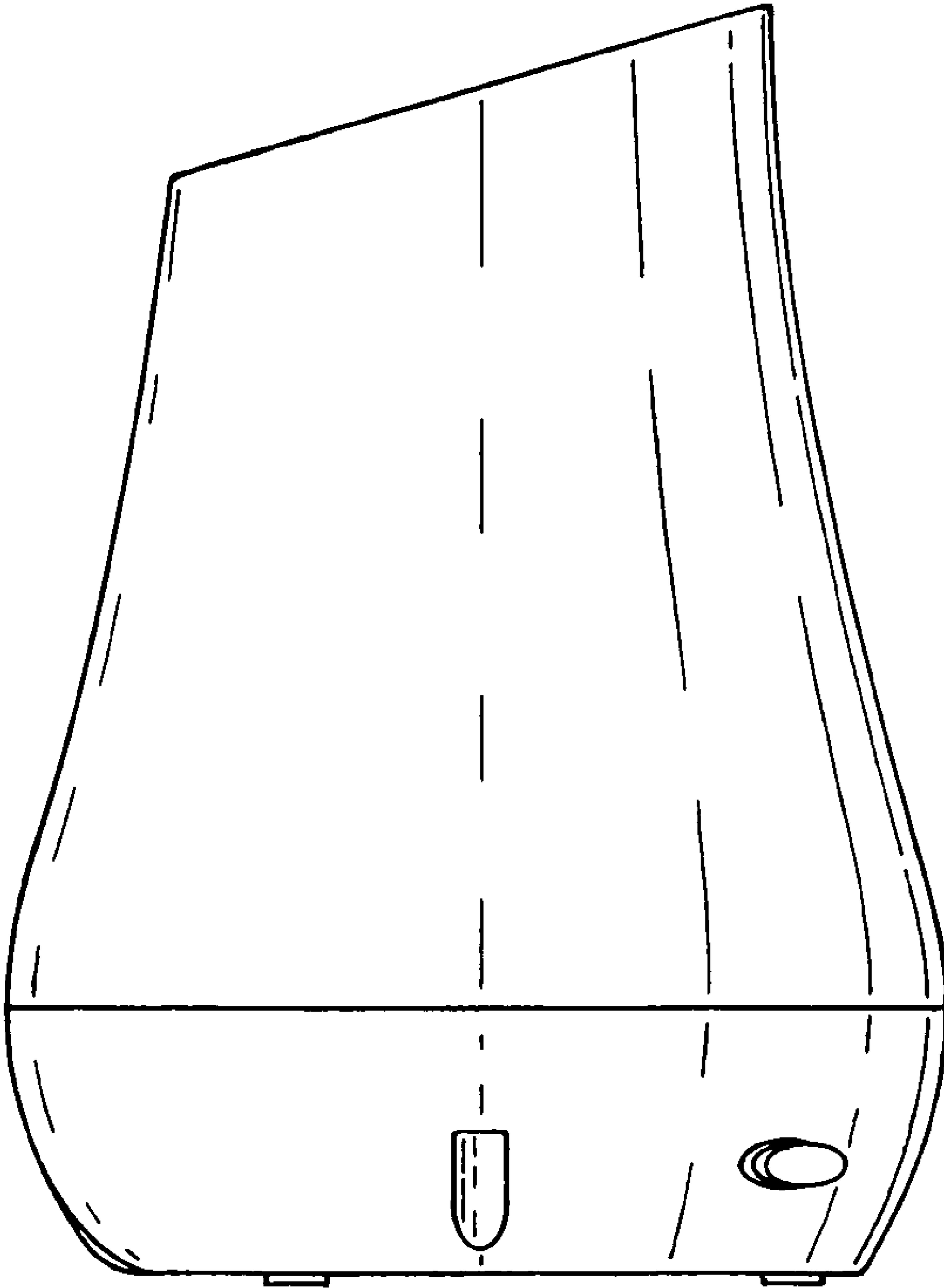


Fig. 12

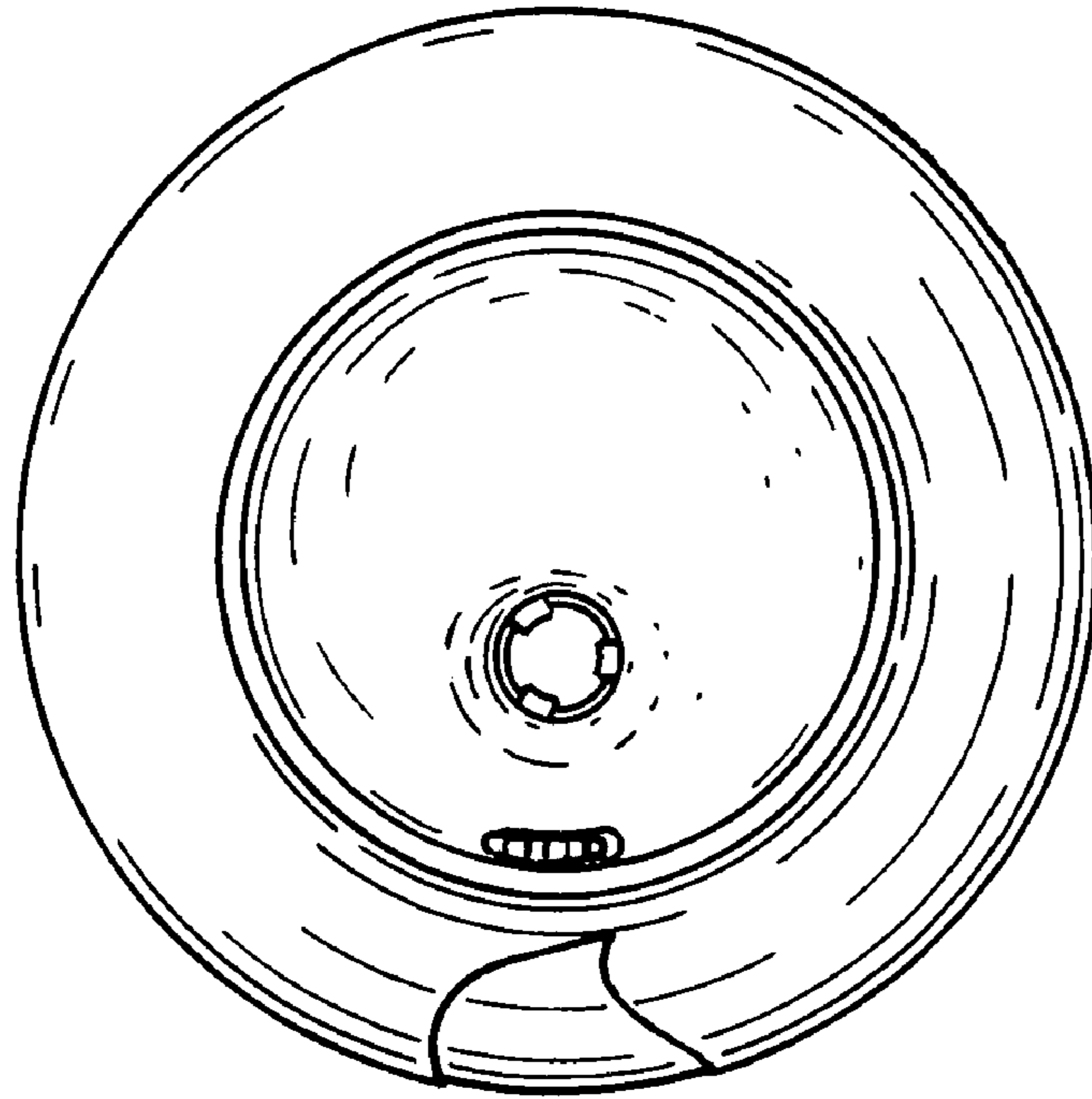


Fig. 13

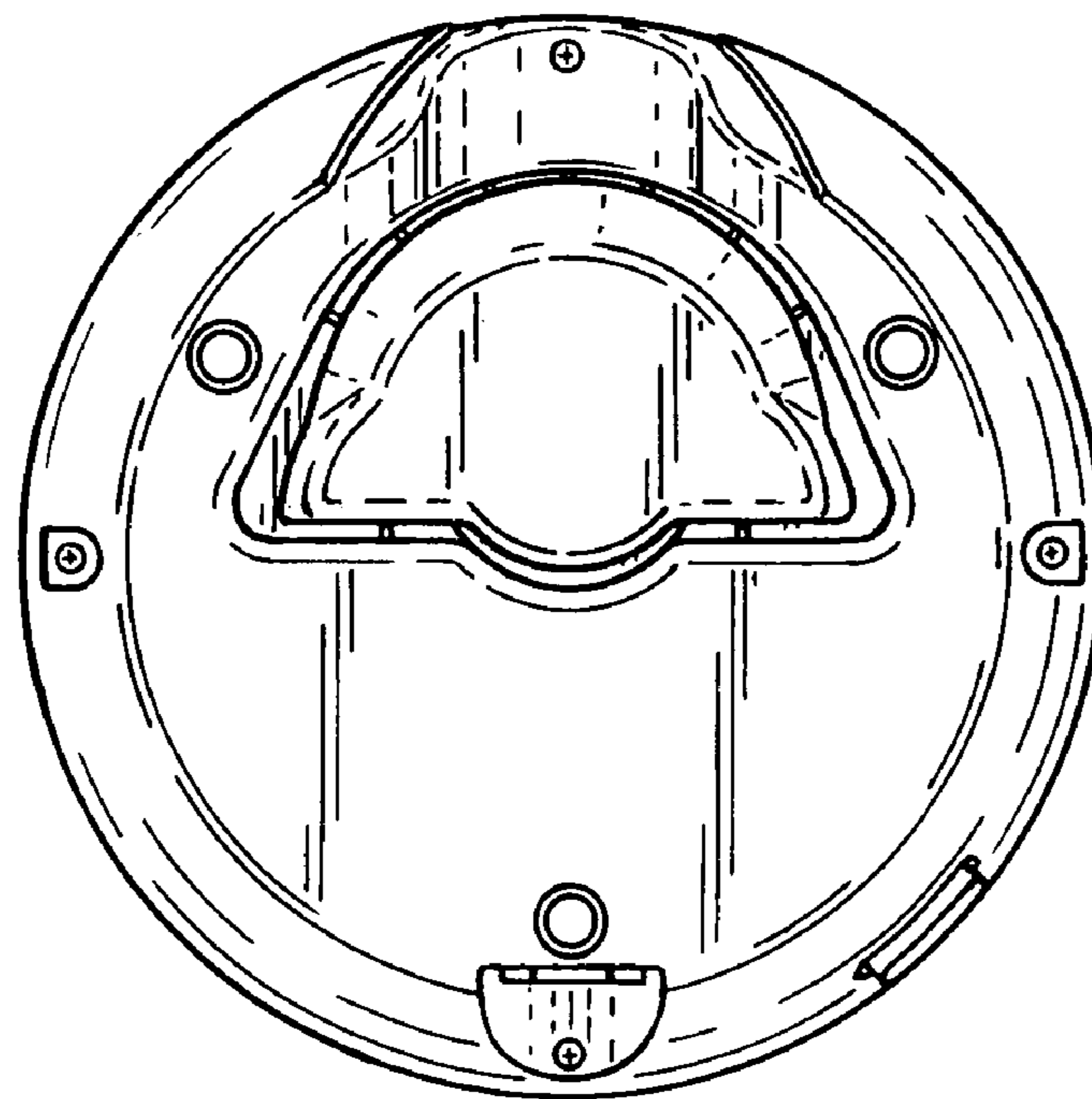


Fig. 14