



US00D548316S

(12) **United States Design Patent**  
**Cowie et al.**

(10) **Patent No.:** **US D548,316 S**

(45) **Date of Patent:** **\*\* Aug. 7, 2007**

(54) **FILTER DRAWER**

*Primary Examiner*—Robin Webster

(74) *Attorney, Agent, or Firm*—Albert Peter Durigon

(75) Inventors: **Ross L. Cowie**, Ottawa (CA); **Rudy A. Vandenberg**, Ottawa (CA)

(57) **CLAIM**

(73) Assignee: **Headwaters, Inc.**, Marblehead, MA (US)

The ornamental design for a filter drawer, as shown and described.

(\*\*) Term: **14 Years**

**DESCRIPTION**

(21) Appl. No.: **29/242,482**

FIG. 1 is a front isometric view of the novel filter drawer of the present invention;

(22) Filed: **Nov. 12, 2005**

FIG. 2 is a top plan view of the filter drawer of the present invention;

(51) **LOC (8) Cl.** ..... **23-04**

(52) **U.S. Cl.** ..... **D23/365**

(58) **Field of Classification Search** ..... D23/355,  
D23/364-5; 55/506, 481, 597, 511  
See application file for complete search history.

FIG. 3 is a bottom plan view of the filter drawer of the present invention;

FIG. 4 is a front plan view of the filter drawer of the present invention;

(56) **References Cited**

**U.S. PATENT DOCUMENTS**

3,999,304	A *	12/1976	Doty	.....	34/82
5,944,860	A *	8/1999	Mack et al.	.....	55/492
6,533,835	B2 *	3/2003	Wilson et al.	.....	55/481
6,808,547	B2 *	10/2004	Ota et al.	.....	55/478
7,112,232	B2 *	9/2006	Chang et al.	.....	55/481

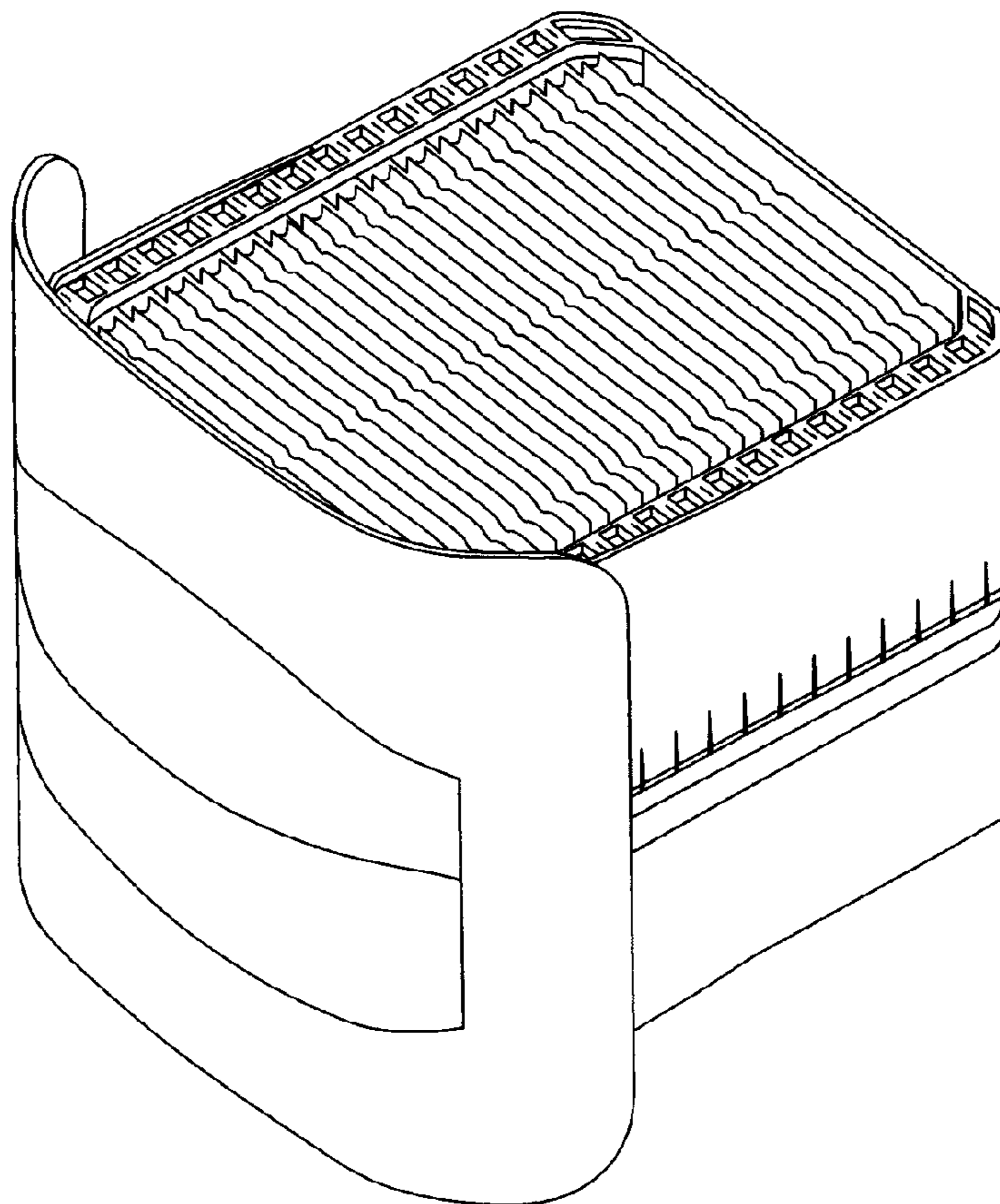
FIG. 5 is a back view of the filter drawer of the present invention;

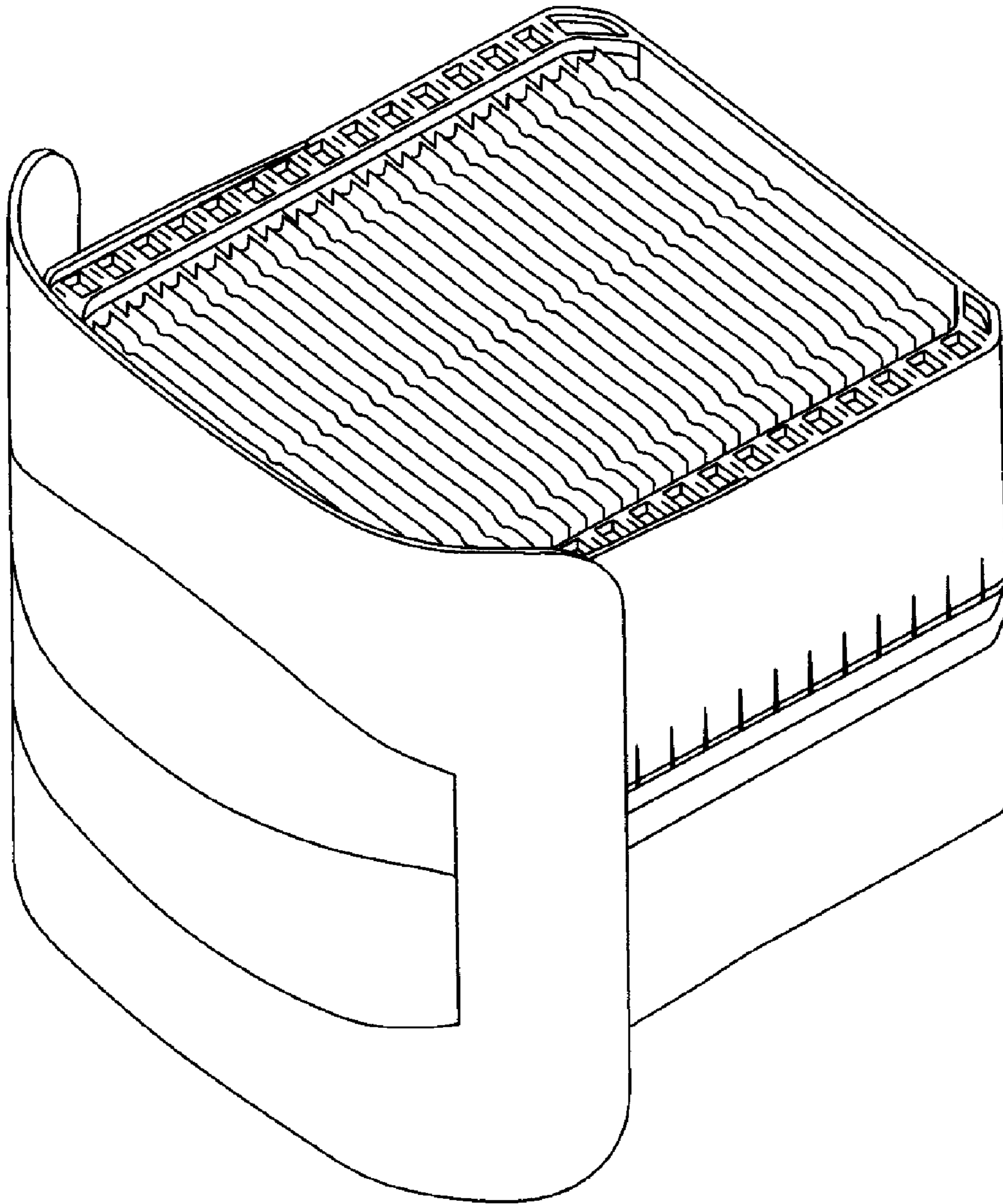
FIG. 6 is a left side plan view of the filter drawer of the present invention; and,

FIG. 7 is a right side plan view of the filter drawer of the present invention.

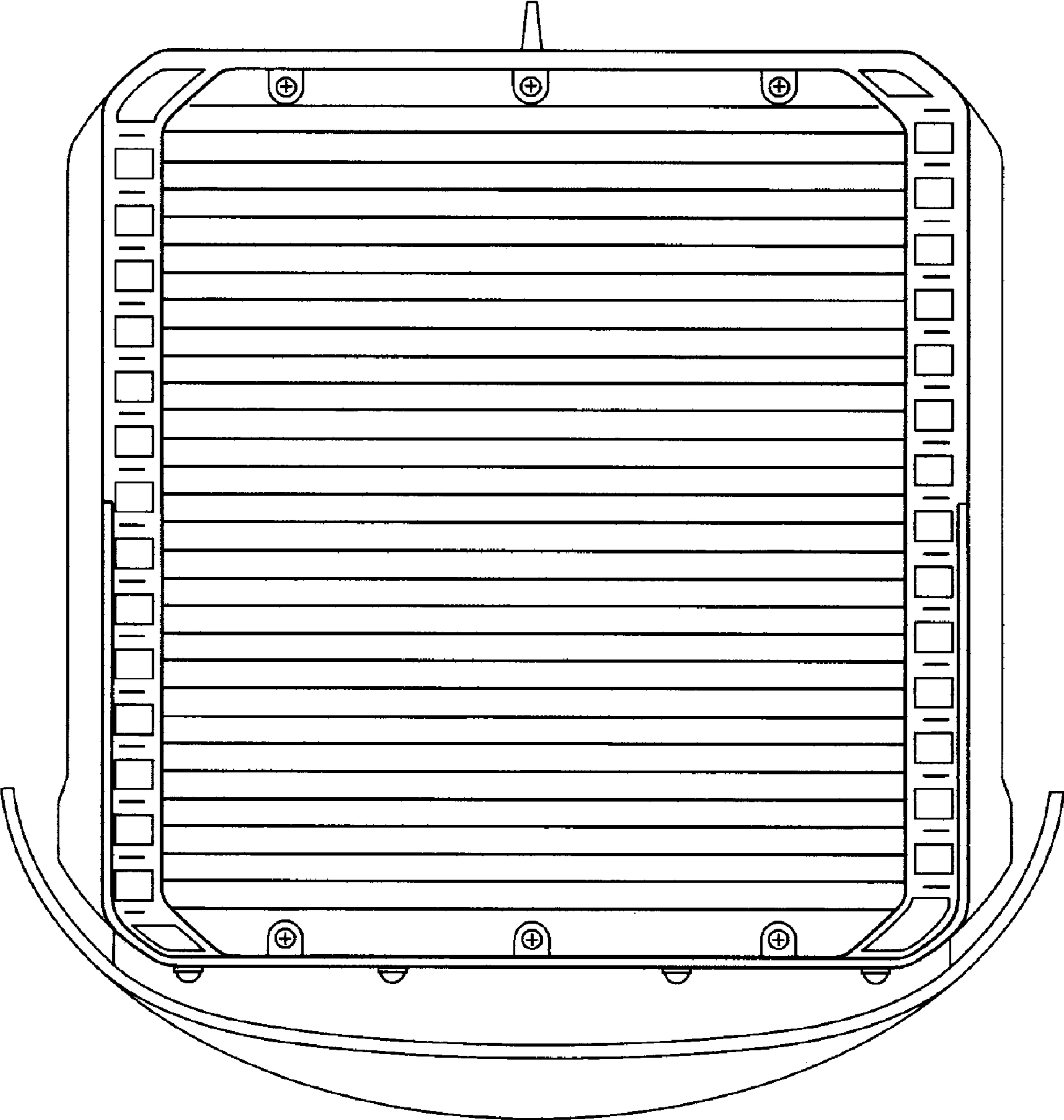
\* cited by examiner

**1 Claim, 7 Drawing Sheets**

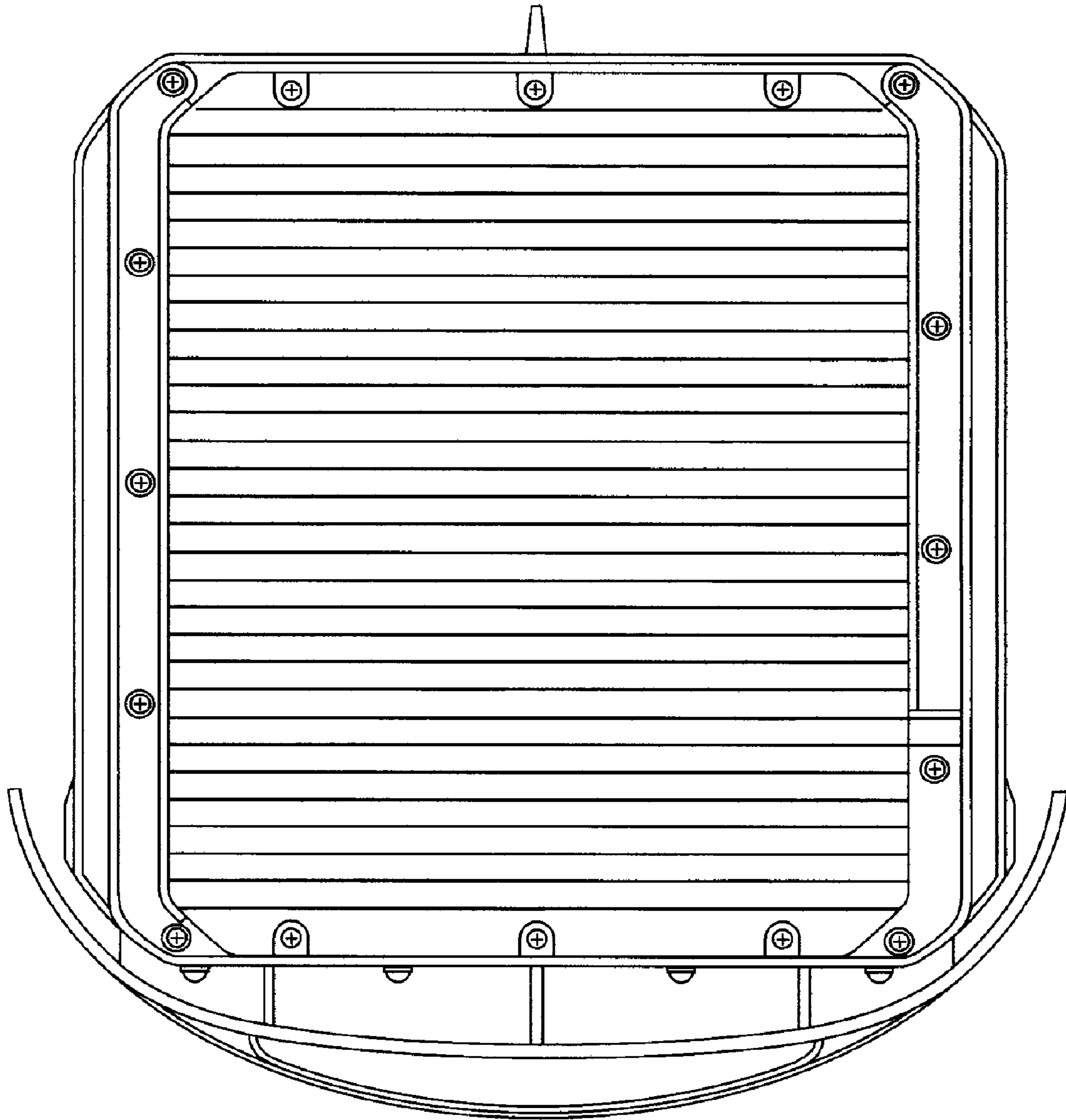




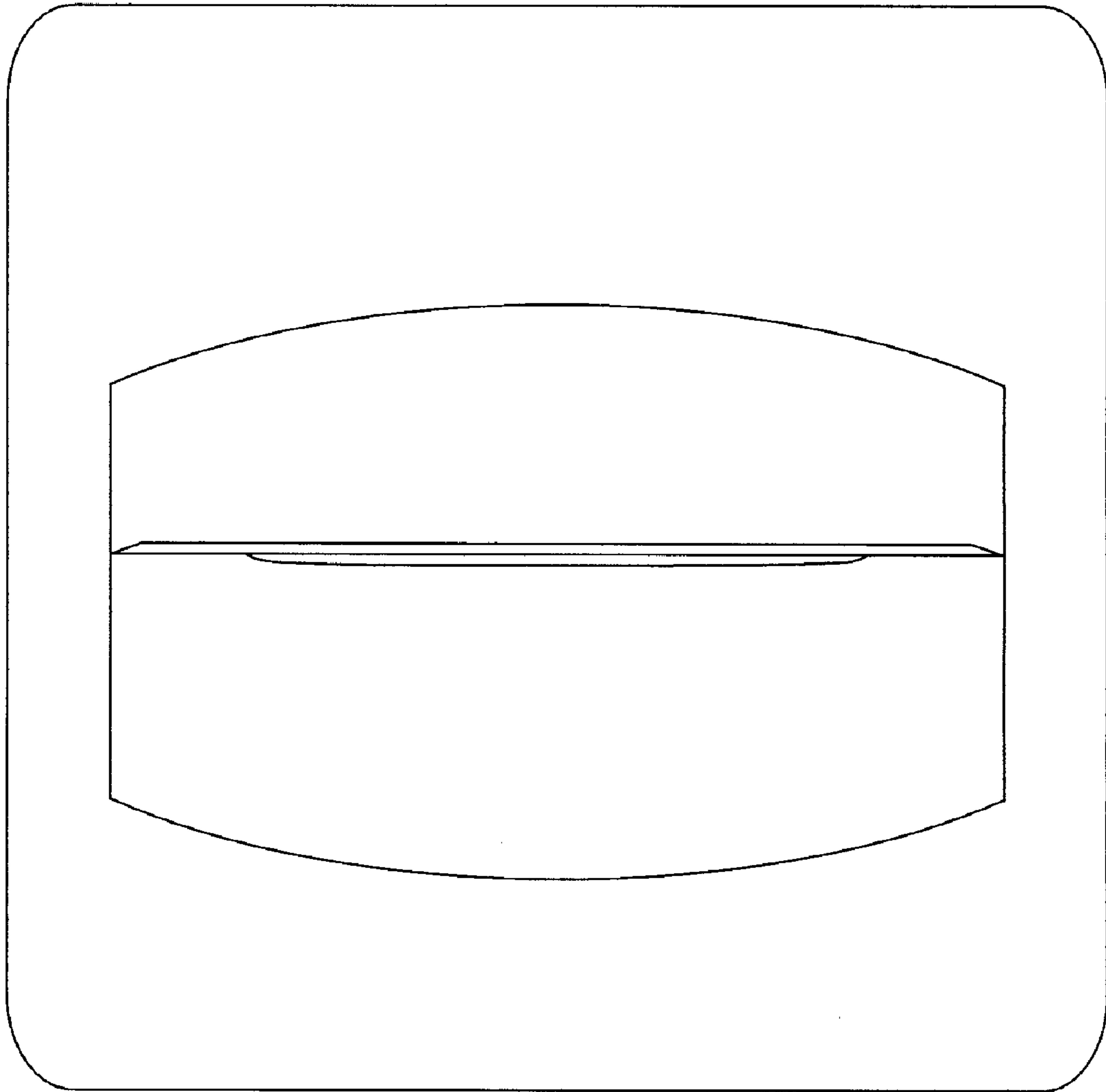
*Fig. 1*



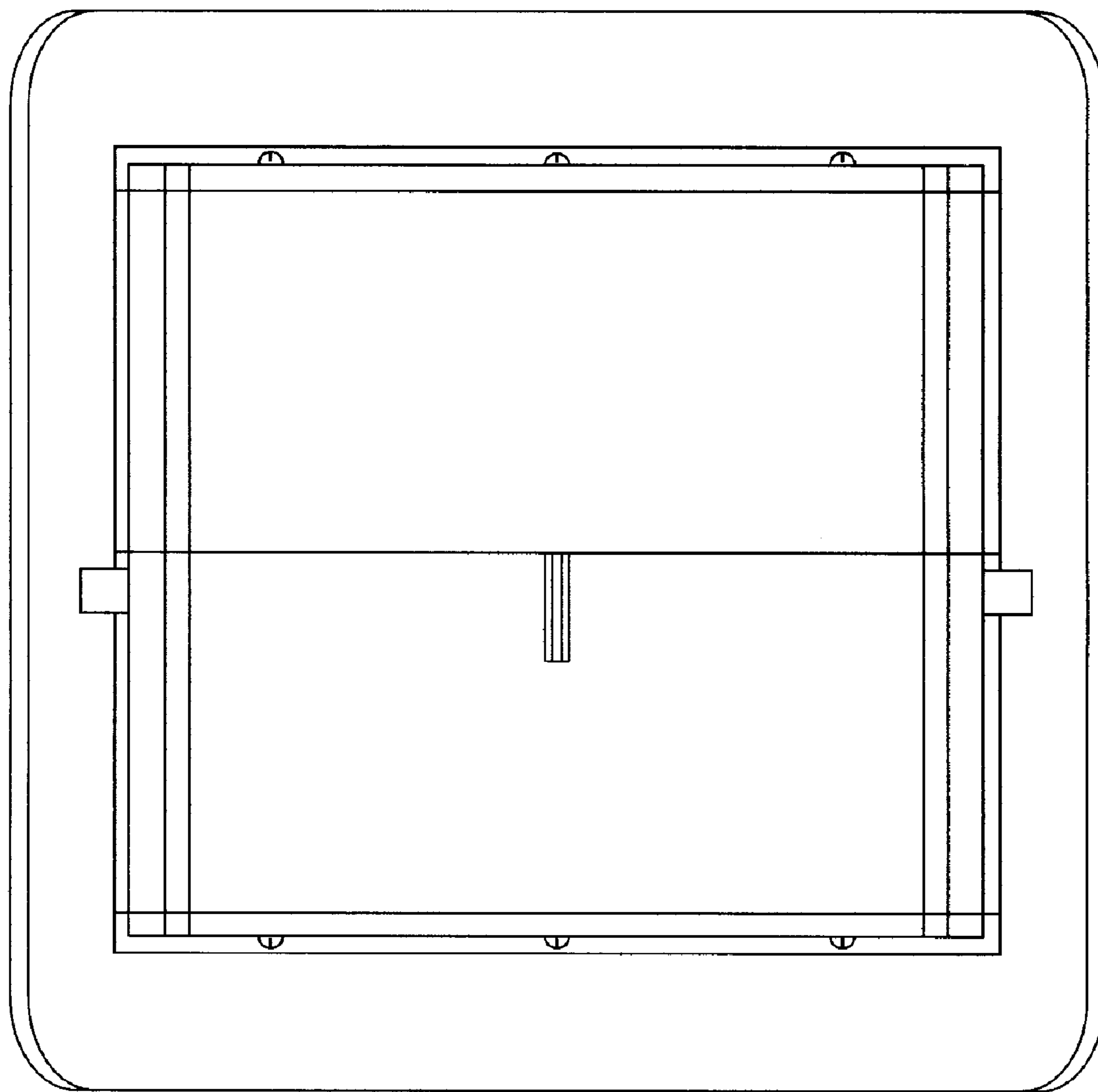
*Fig. 2*



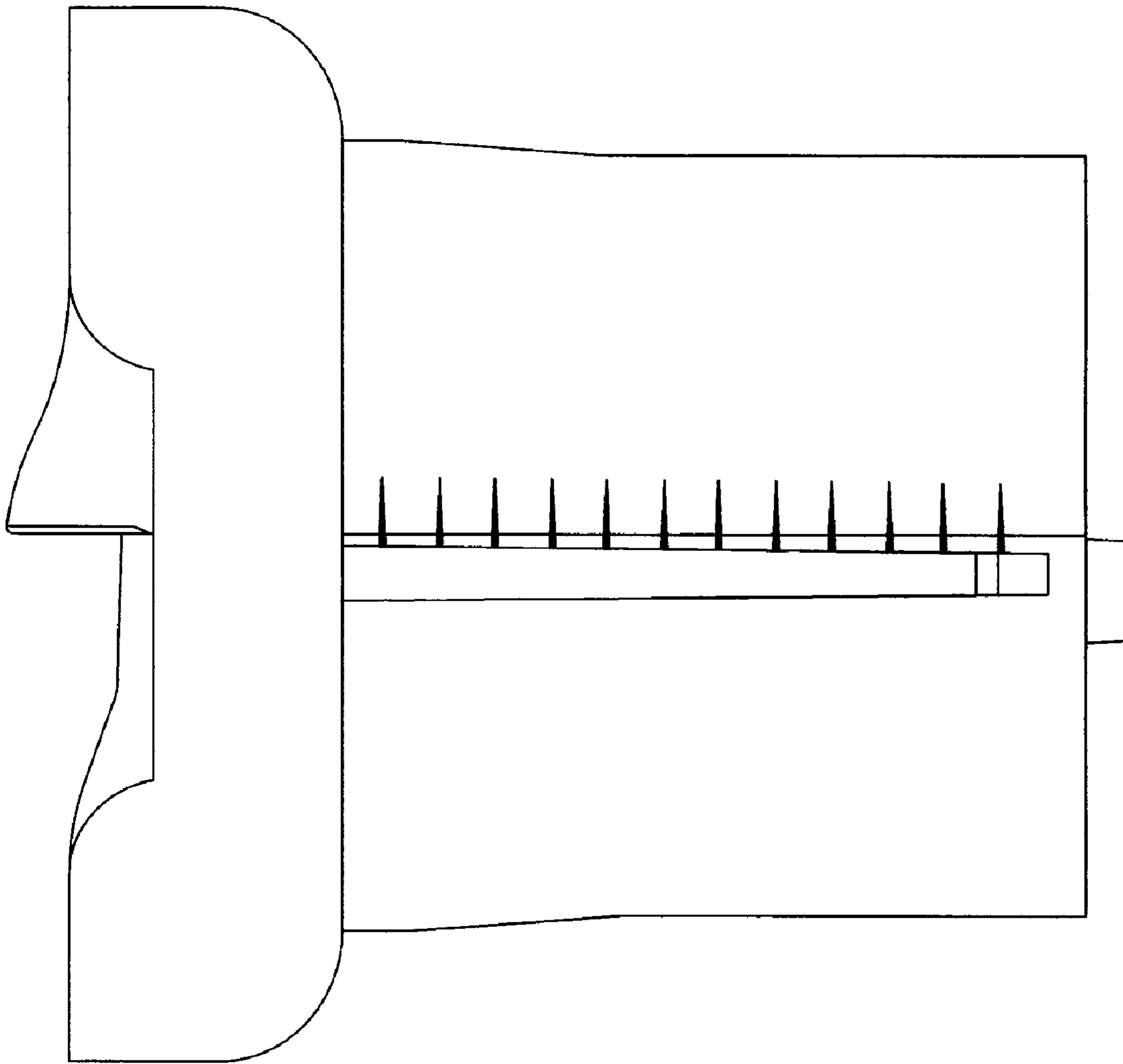
*Fig. 3*



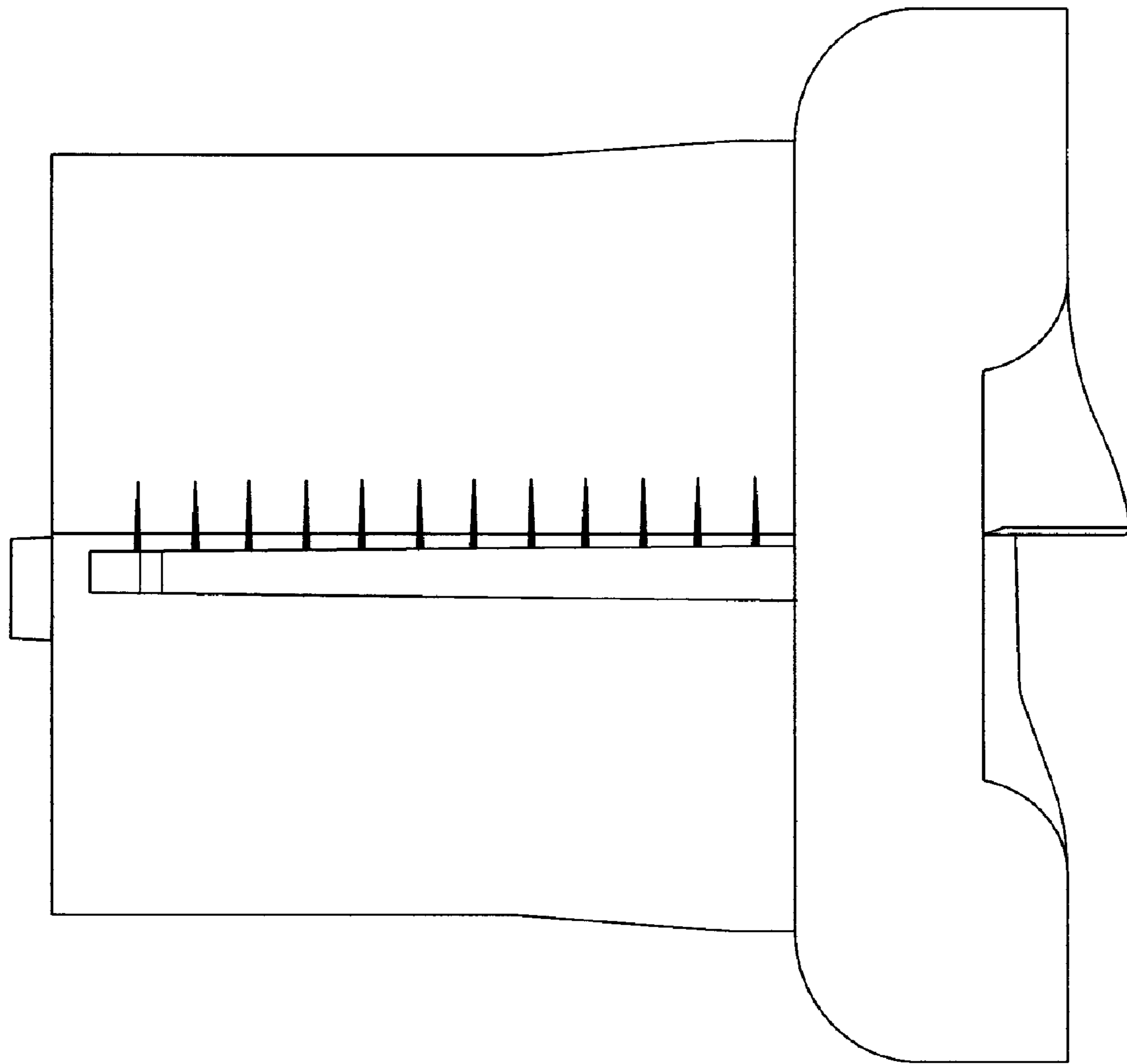
*Fig. 4*



*Fig. 5*



*Fig. 6*



*Fig. 7*