

US00D548315S

(12) **United States Design Patent**  
**Lin**

(10) **Patent No.:** **US D548,315 S**

(45) **Date of Patent:** **\*\* Aug. 7, 2007**

(54) **AIR CLEANER**

(75) Inventor: **Heng-Yuan Lin**, Banciao (TW)

(73) Assignee: **Well Electronics Co., Ltd.**, Banciao,  
Taipei Hsien (TW)

(\*\*) Term: **14 Years**

(21) Appl. No.: **29/267,317**

(22) Filed: **Oct. 12, 2006**

(51) **LOC (8) Cl.** ..... **23-04**

(52) **U.S. Cl.** ..... **D23/364**

(58) **Field of Classification Search** ..... D23/364,  
D23/355, 356, 359, 360, 366, 341, 369, 332,  
D23/333, 335, 324, 342; 422/120, 122; 55/356,  
55/473, 504; 96/97; D14/188, 170, 172  
See application file for complete search history.

(56) **References Cited**

**U.S. PATENT DOCUMENTS**

D255,486 S *	6/1980	Bender	.....	D23/355
D312,302 S *	11/1990	Fan	.....	D23/335
D313,842 S *	1/1991	Fan	.....	D23/335
D316,140 S *	4/1991	Lee	.....	D23/335
D316,446 S *	4/1991	Lee	.....	D23/335
D319,498 S *	8/1991	Huang	.....	D23/335
D340,971 S *	11/1993	Pirro	.....	D23/335

D348,724 S *	7/1994	Lee	.....	D23/328
D354,803 S *	1/1995	Huang	.....	D23/328
D361,828 S *	8/1995	Chen	.....	D23/335
D402,741 S *	12/1998	Chen	.....	D23/335
D456,066 S *	4/2002	Ching	.....	D23/335
D518,160 S *	3/2006	Normark	.....	D23/366

\* cited by examiner

*Primary Examiner*—Louis Zarfaz

*Assistant Examiner*—David Muller

(74) *Attorney, Agent, or Firm*—Bacon & Thomas, PLLC

(57) **CLAIM**

The ornamental design for an air cleaner, as shown.

**DESCRIPTION**

FIG. 1 is a perspective view of an air cleaner showing my new design;

FIG. 2 is a front view thereof;

FIG. 3 is a rear view thereof;

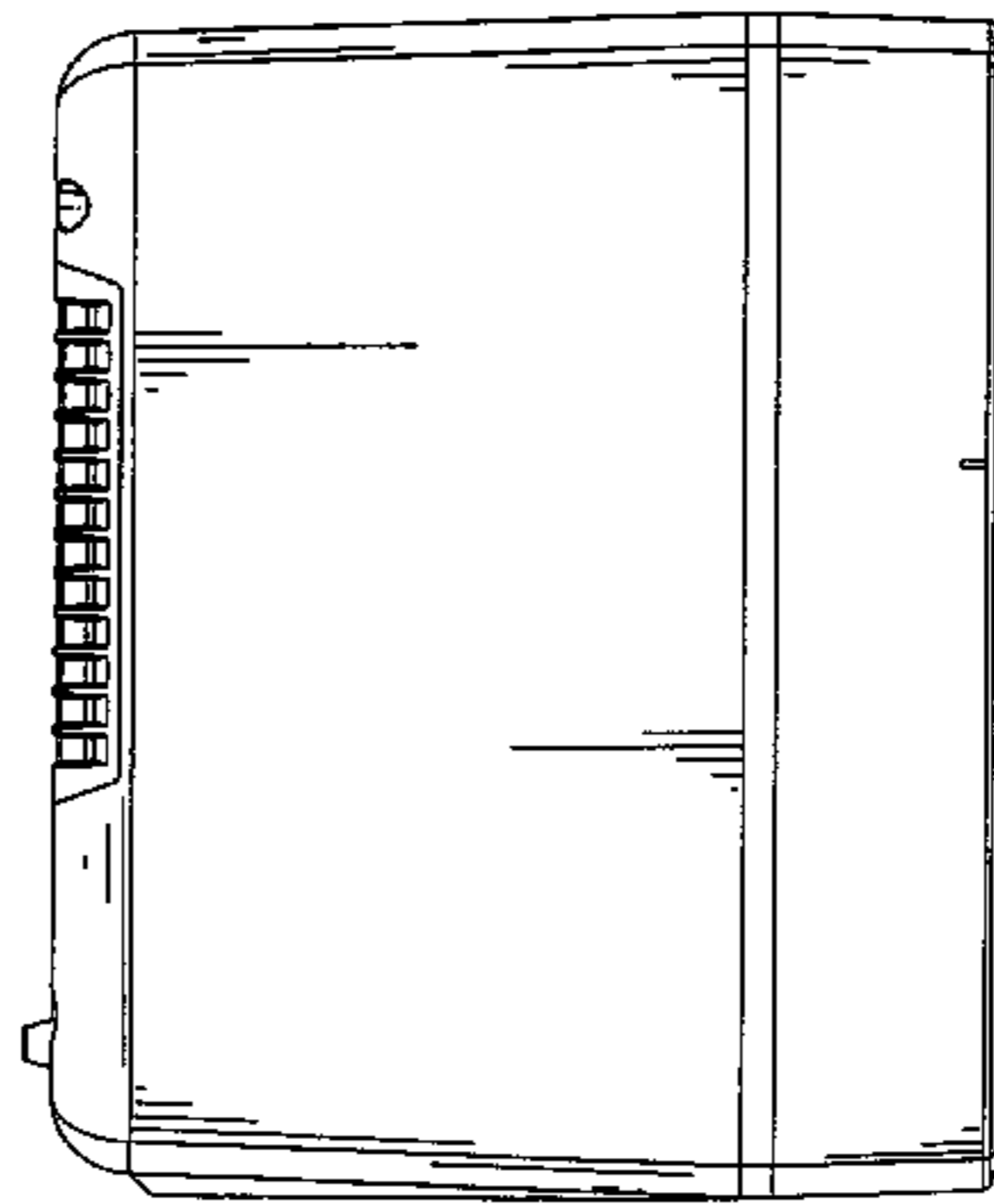
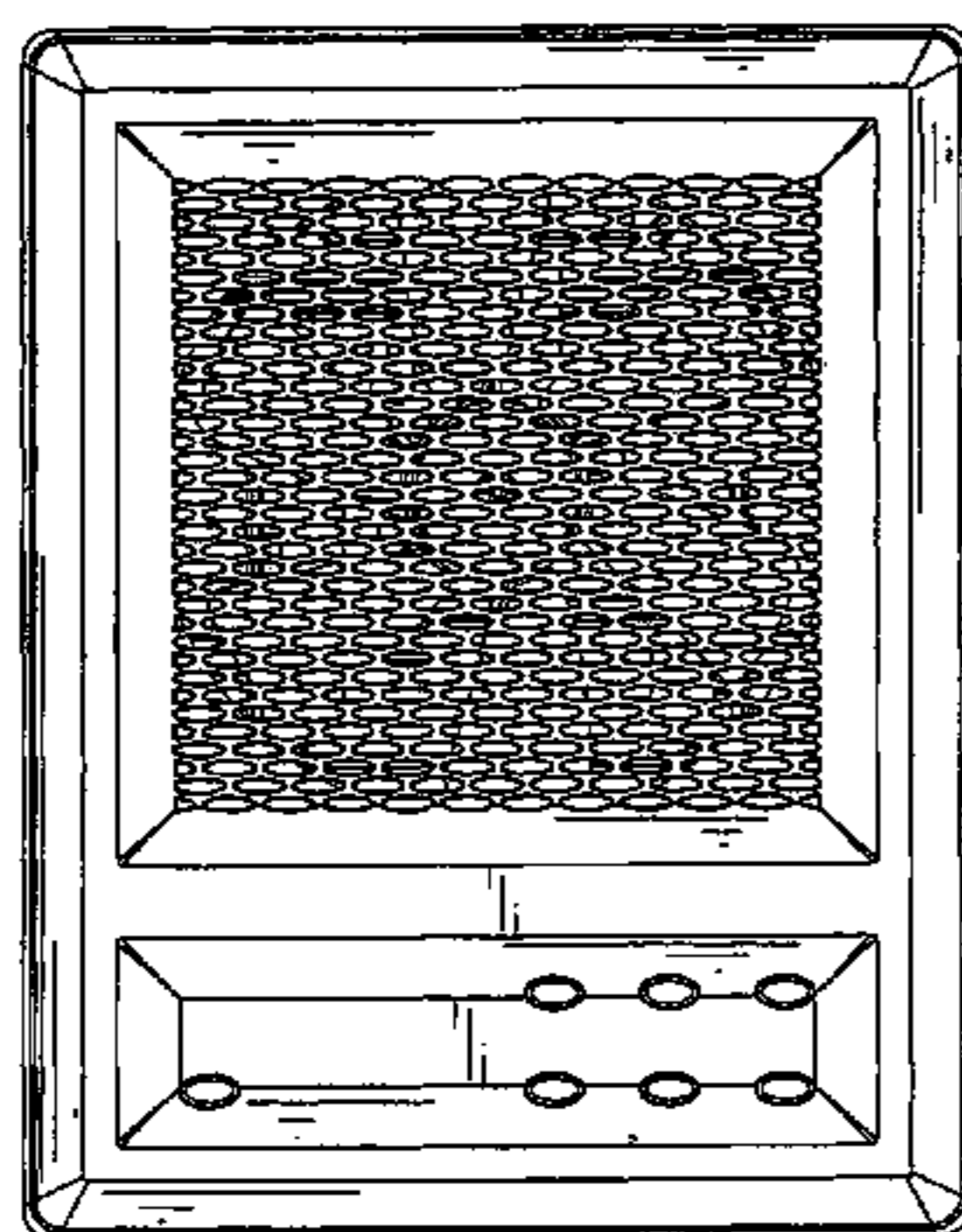
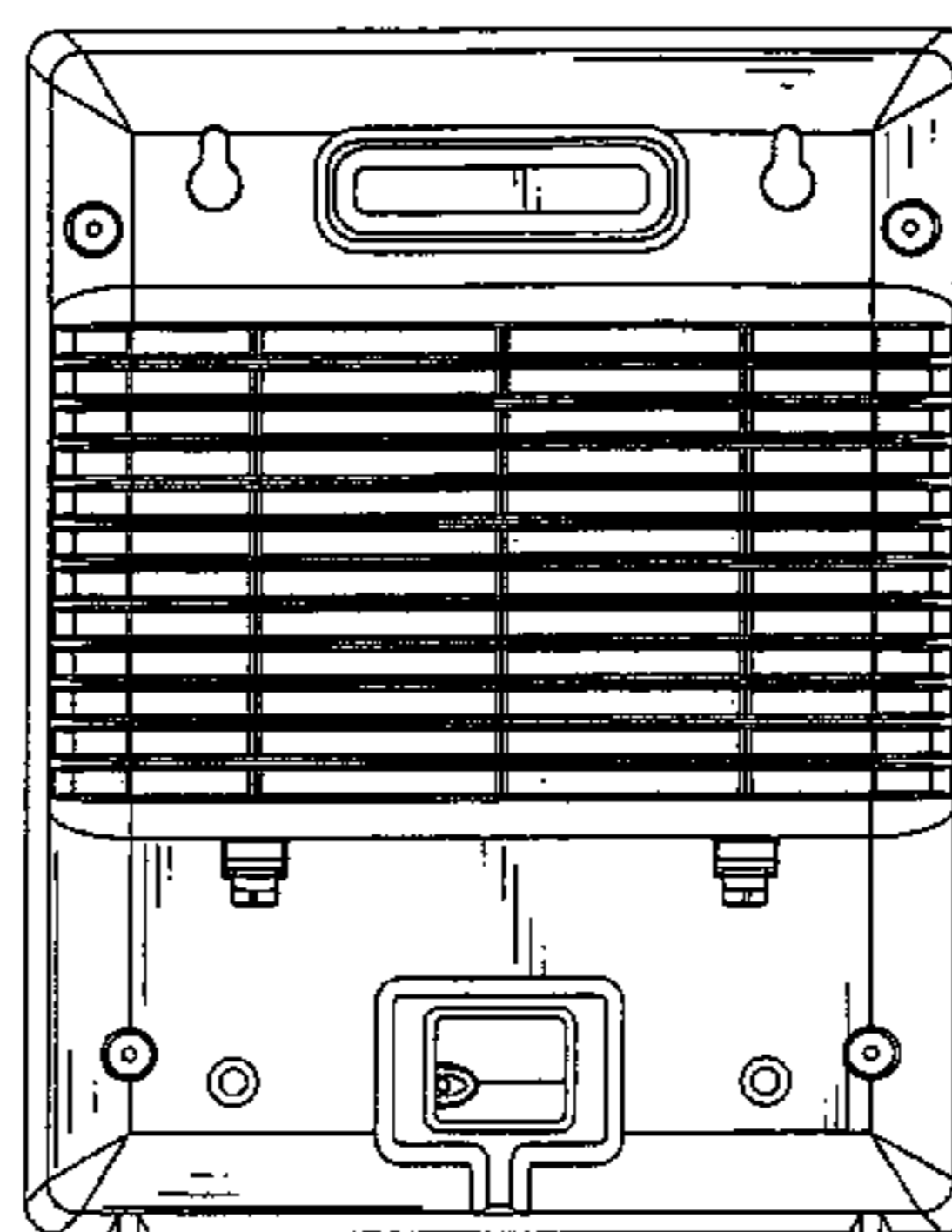
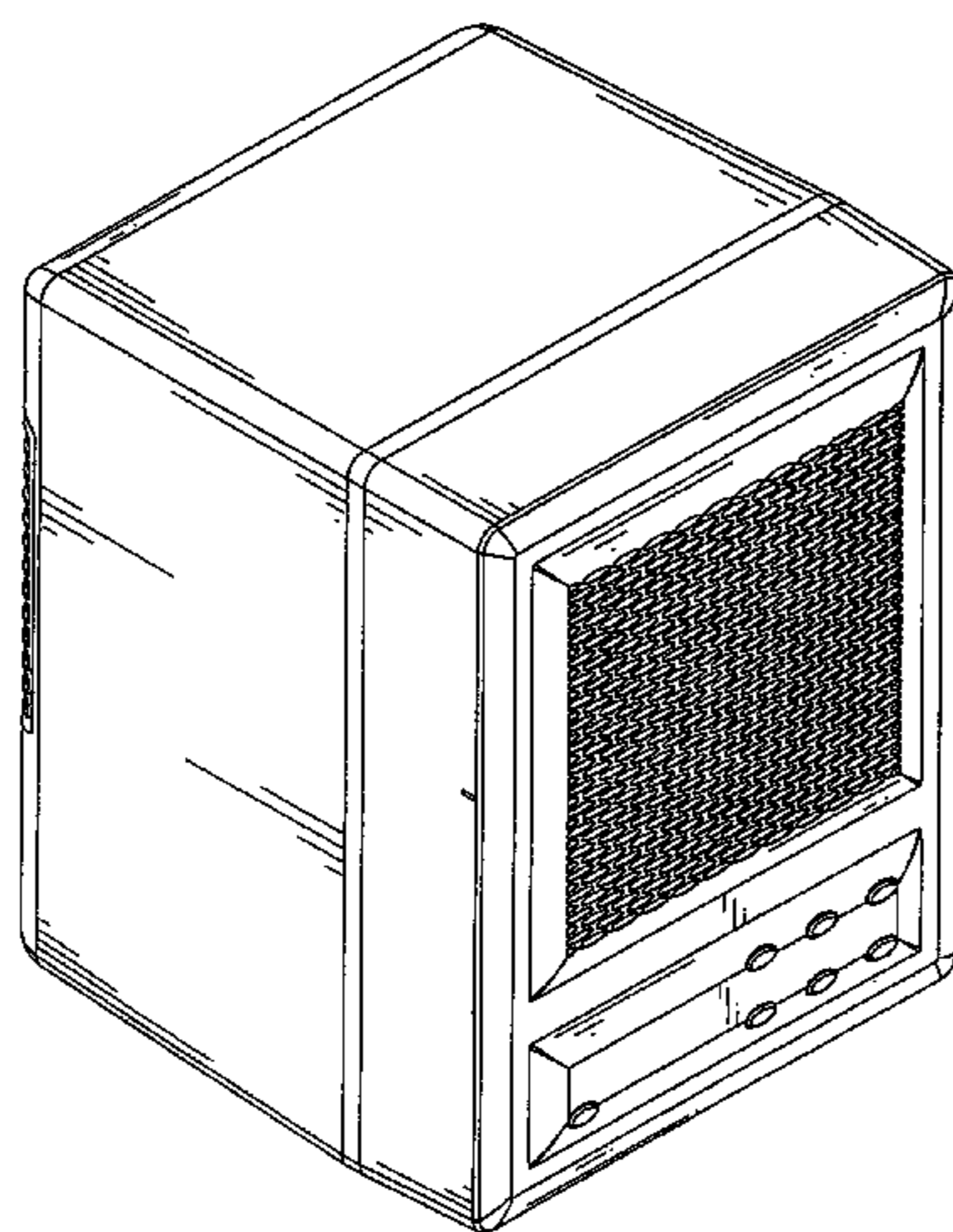
FIG. 4 is a left view thereof;

FIG. 5 is a right view thereof;

FIG. 6 is a top view thereof; and,

FIG. 7 is a bottom view thereof.

**1 Claim, 7 Drawing Sheets**



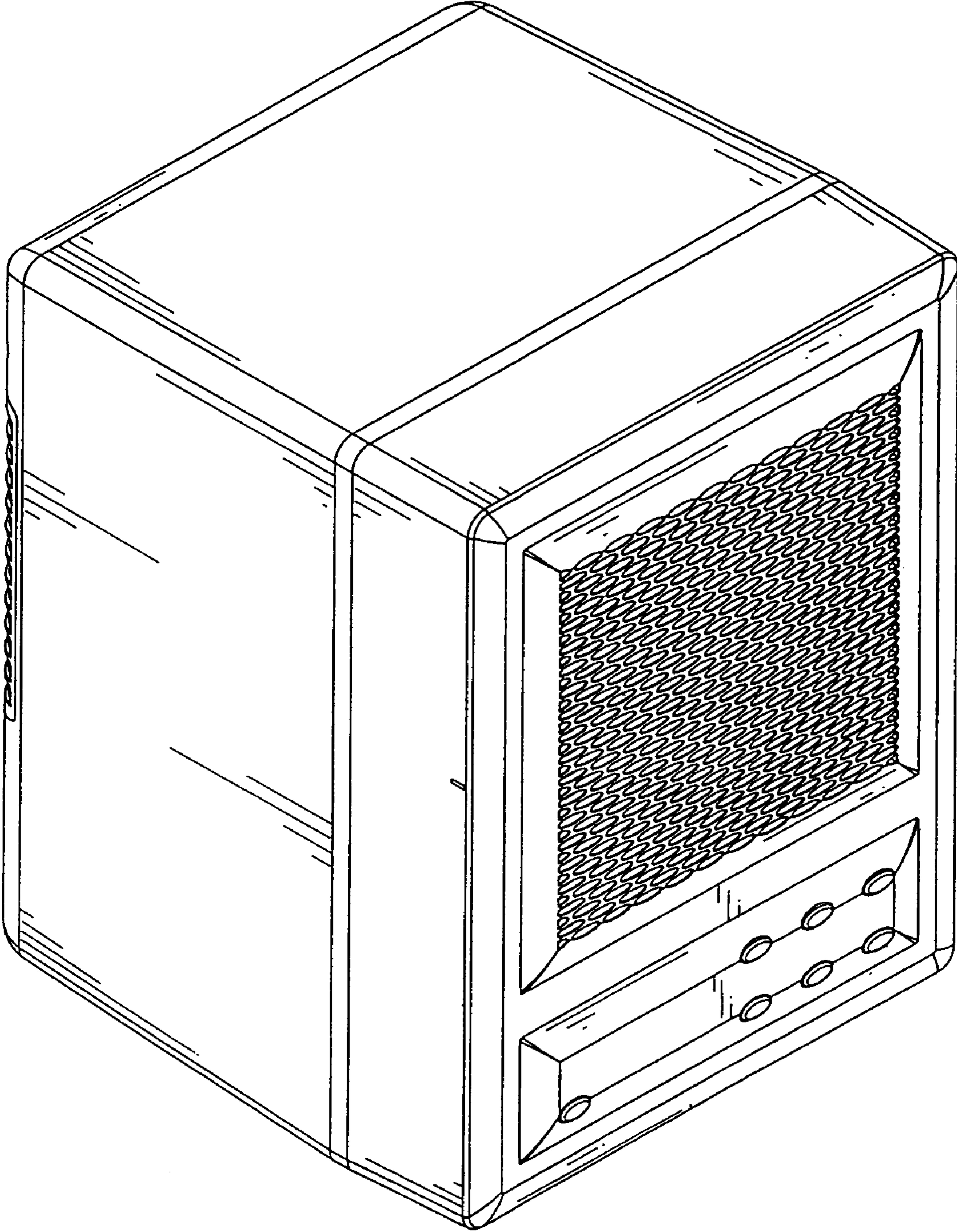


FIG. 1

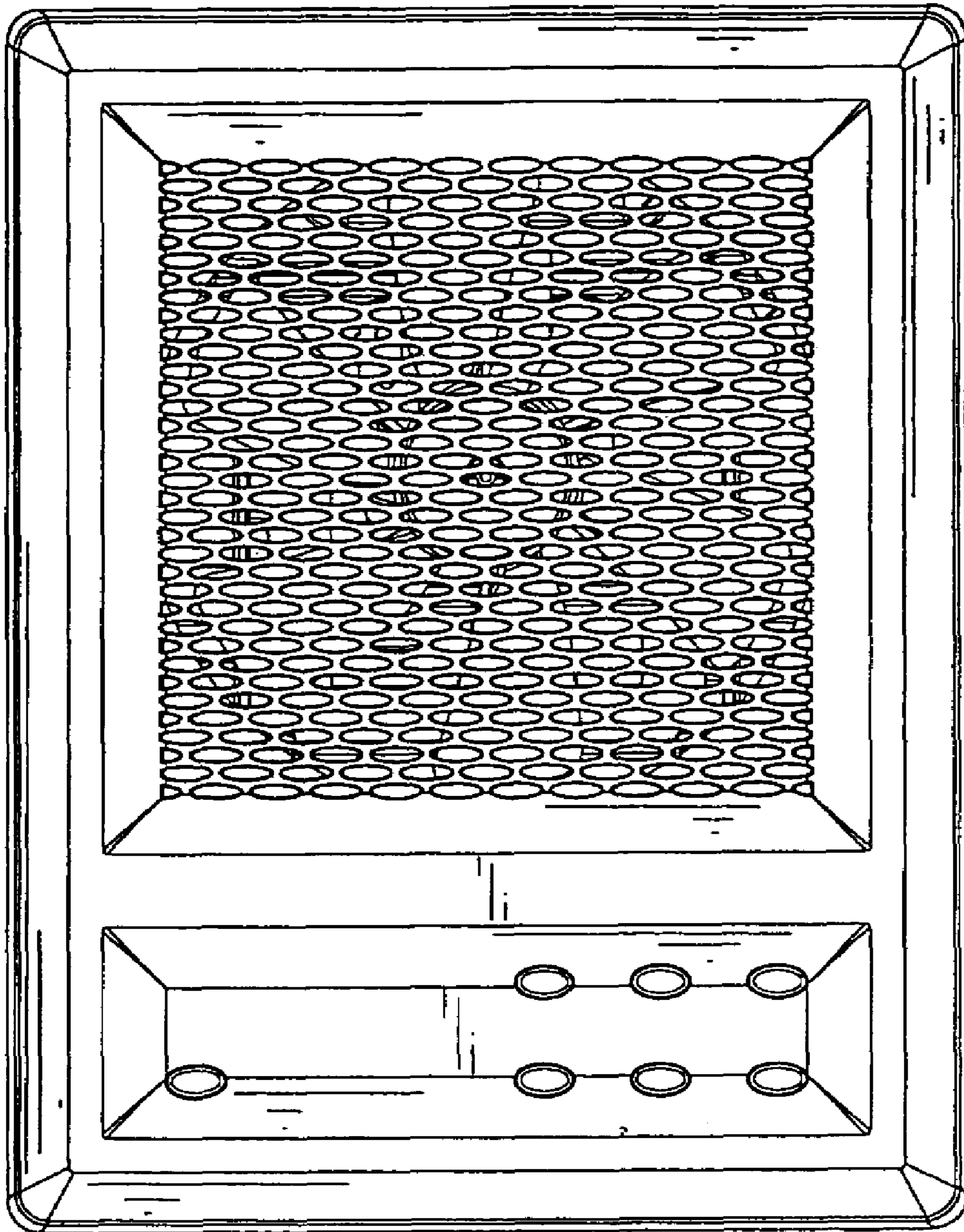


FIG. 2

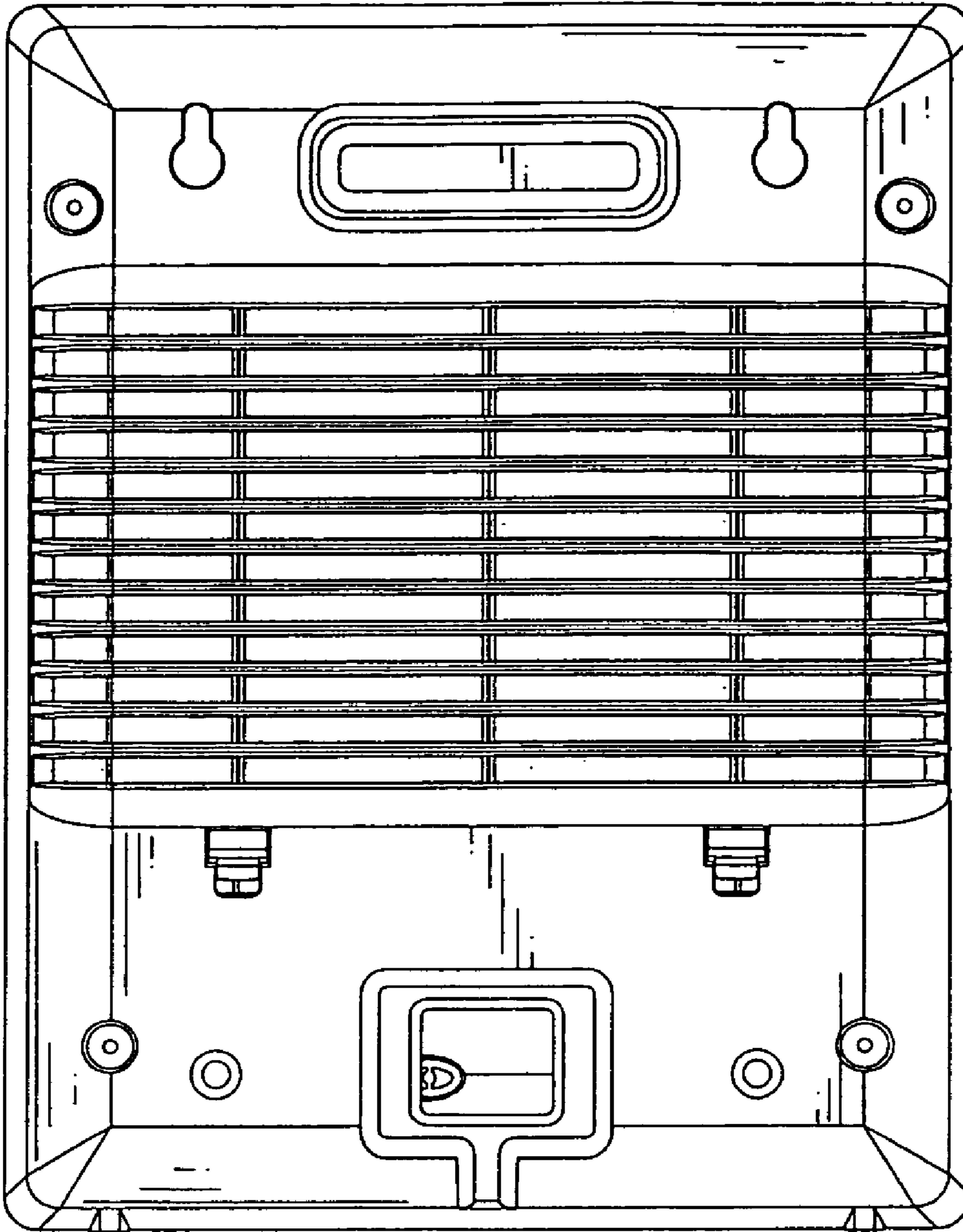


FIG. 3

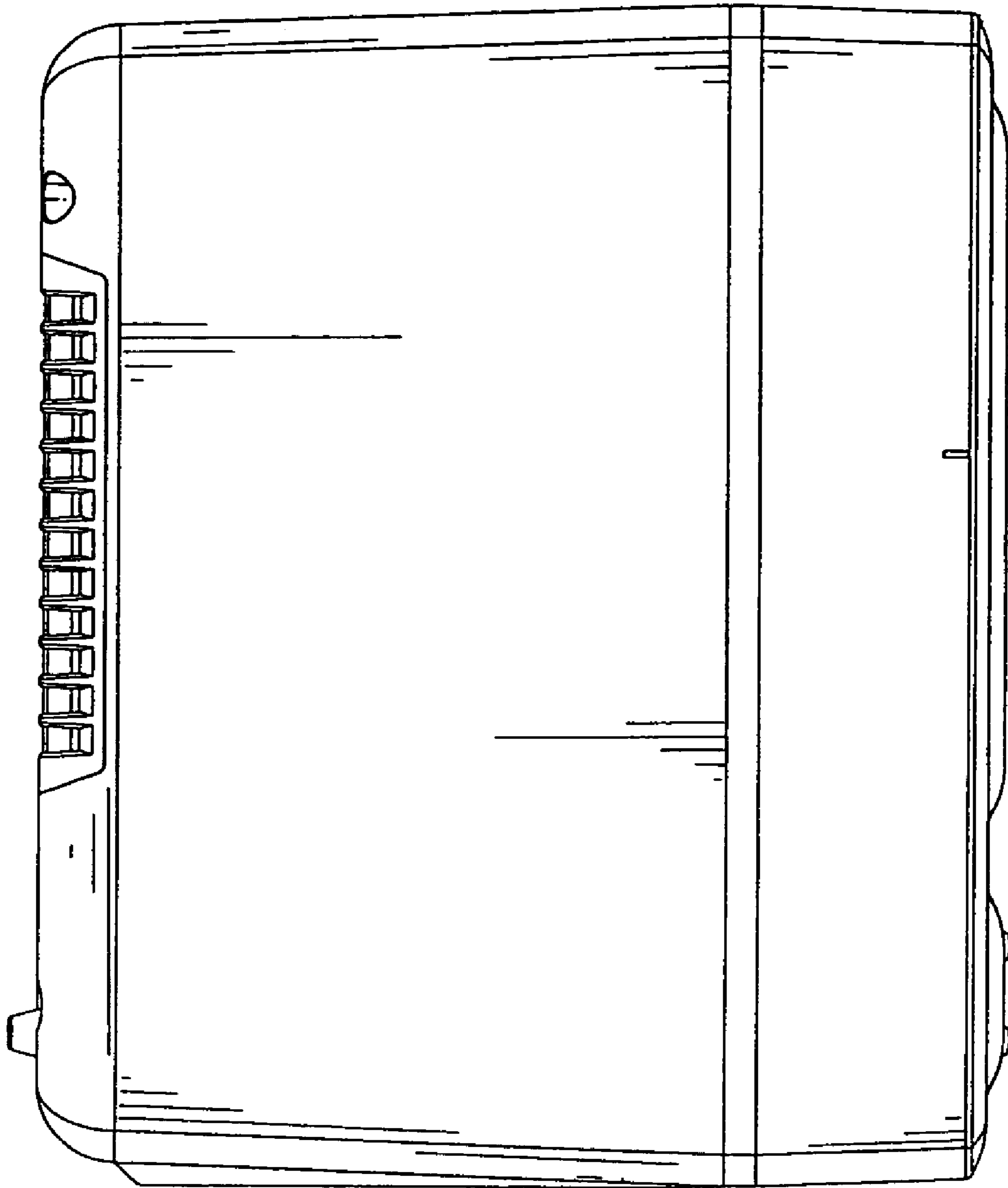


FIG. 4

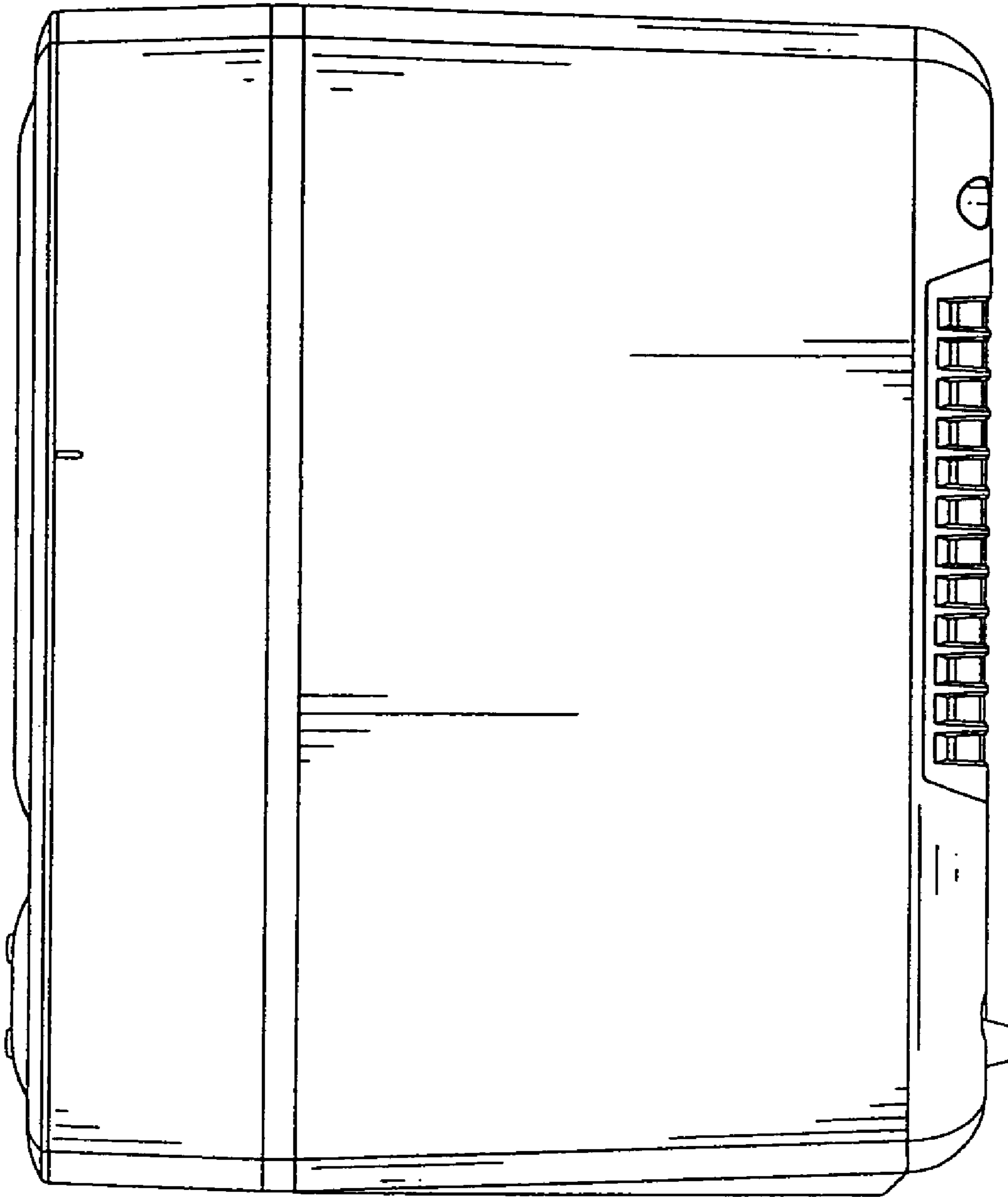


FIG. 5

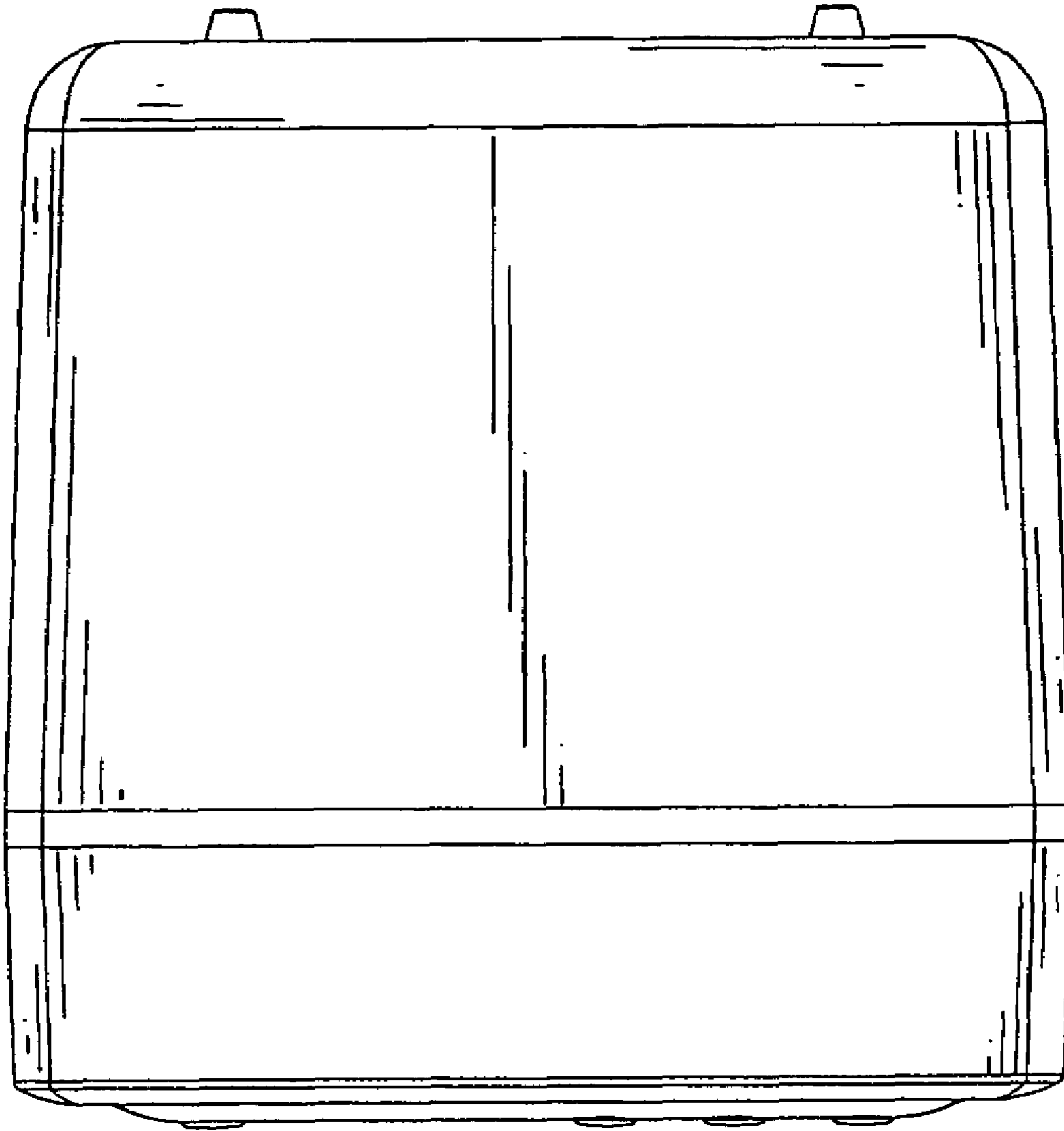


FIG. 6

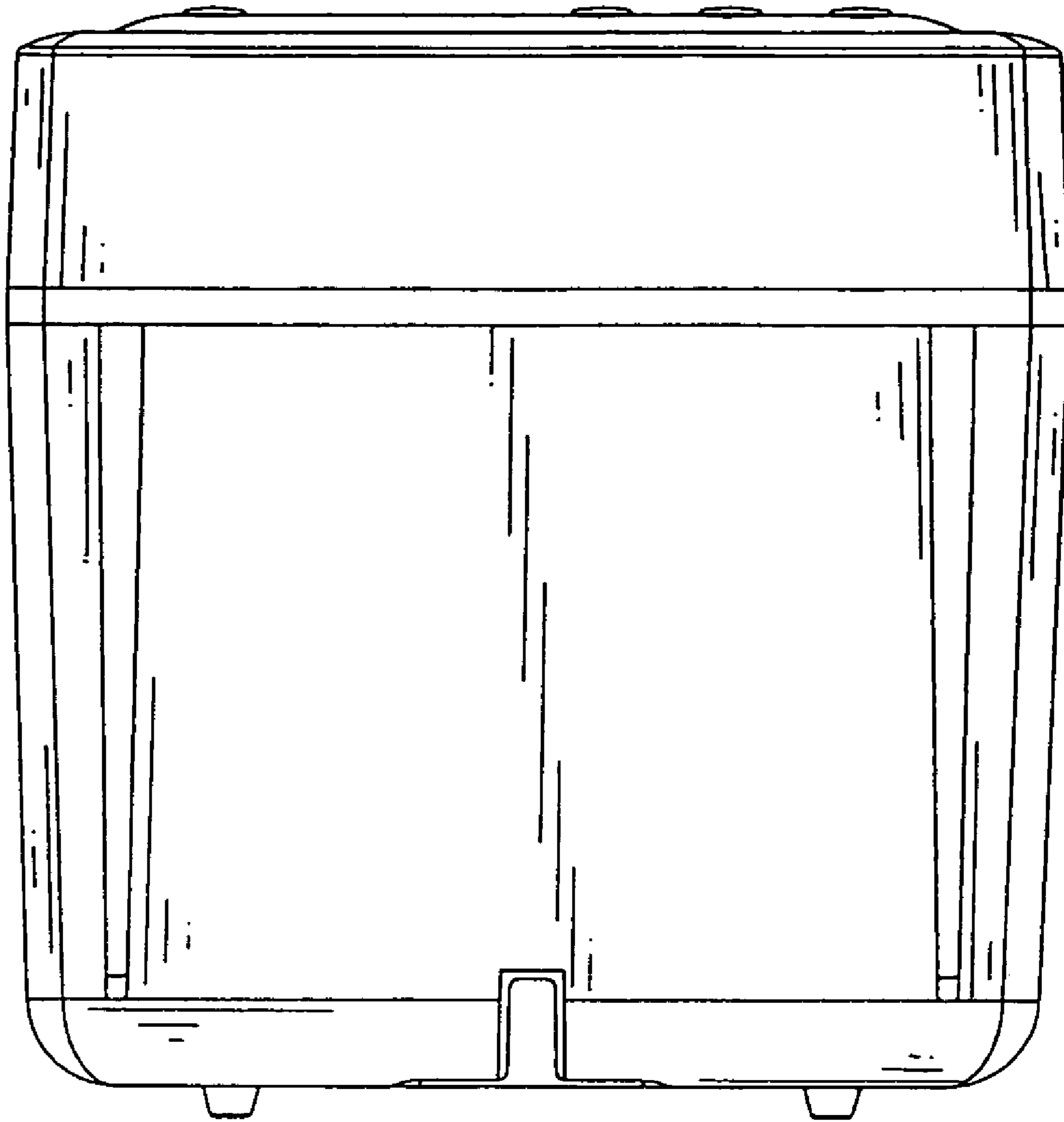


FIG. 7