



US00D548313S

(12) **United States Design Patent**
Chiu

(10) **Patent No.:** **US D548,313 S**

(45) **Date of Patent:** **** Aug. 7, 2007**

(54) **MOVABLE AIR CONDITIONER**

D448,070 S * 9/2001 De'Longhi D23/333
D448,836 S * 10/2001 De'Longhi D23/333

(75) Inventor: **Ming-Tsung Chiu**, Chung-Ho (TW)

* cited by examiner

(73) Assignee: **New Widetech Industries Co., Ltd.**,
Chung-Ho, Taipei Hsien (TW)

Primary Examiner—Brian N Vinson

(74) *Attorney, Agent, or Firm*—James H. Walters

(**) Term: **14 Years**

(57) **CLAIM**

(21) Appl. No.: **29/249,978**

The ornamental design for a movable air conditioner, as shown.

(22) Filed: **Oct. 27, 2006**

(51) **LOC (8) Cl.** **23-04**

(52) **U.S. Cl.** **D23/333**

(58) **Field of Classification Search** D23/351,
D23/333; 312/236; 62/259.1, 259.3, 259.4,
62/262–263, 304, 401, 515–516; 454/330–331,
454/349–350, 335, 354

See application file for complete search history.

DESCRIPTION

FIG. 1 is a perspective view of a movable air conditioner showing my new design;

FIG. 2 is a front view thereof;

FIG. 3 is a rear view thereof;

FIG. 4 is a left view thereof;

FIG. 5 is a right view thereof;

FIG. 6 is a top view thereof;

FIG. 7 is a bottom view thereof; and,

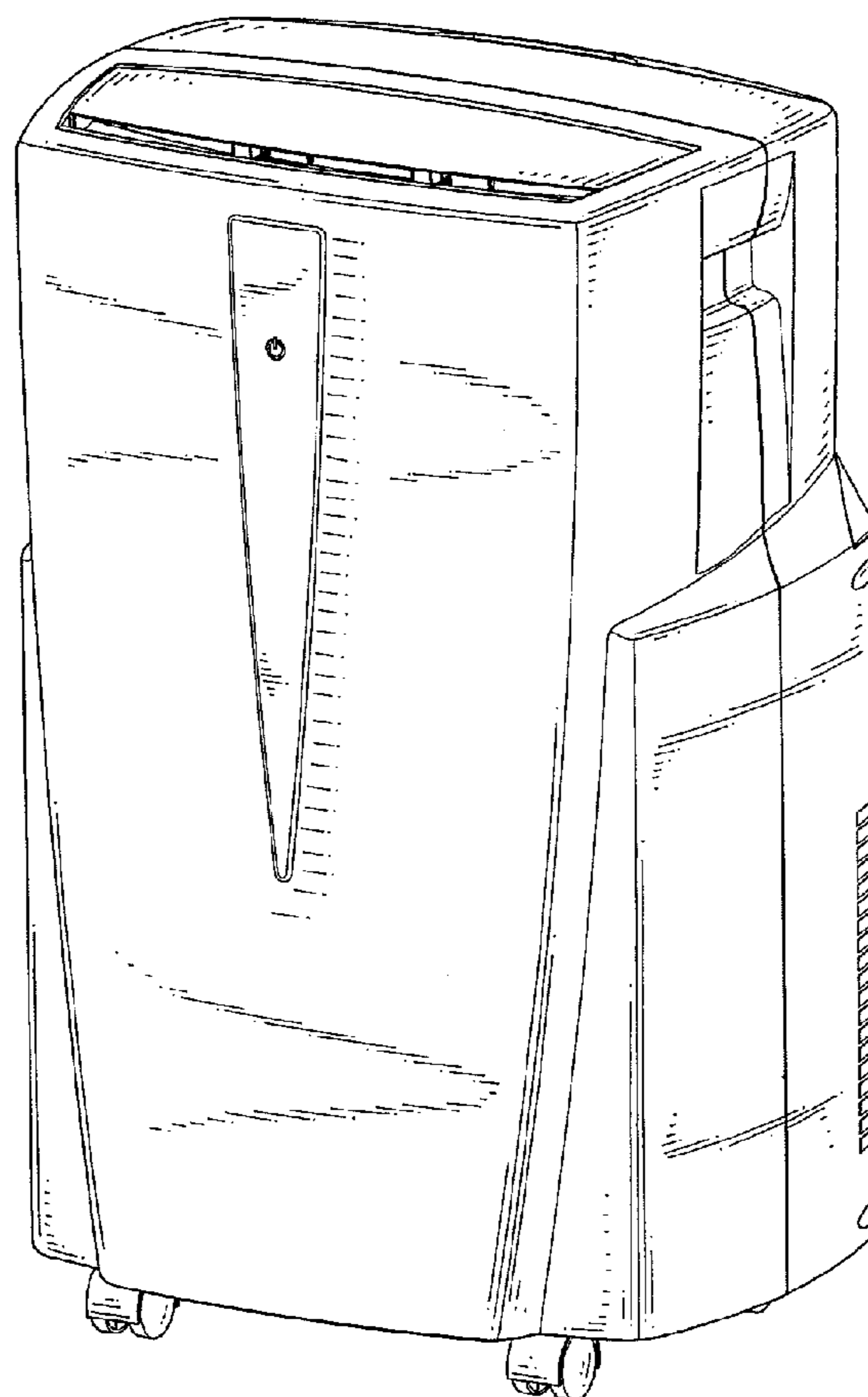
FIG. 8 is another perspective view thereof.

(56) **References Cited**

U.S. PATENT DOCUMENTS

D319,306 S * 8/1991 Yamazaki et al. D23/351
D368,770 S * 4/1996 Tanner et al. D23/351
D416,993 S * 11/1999 Dong et al. D23/333
D423,656 S * 4/2000 De'Longhi D23/333

1 Claim, 7 Drawing Sheets



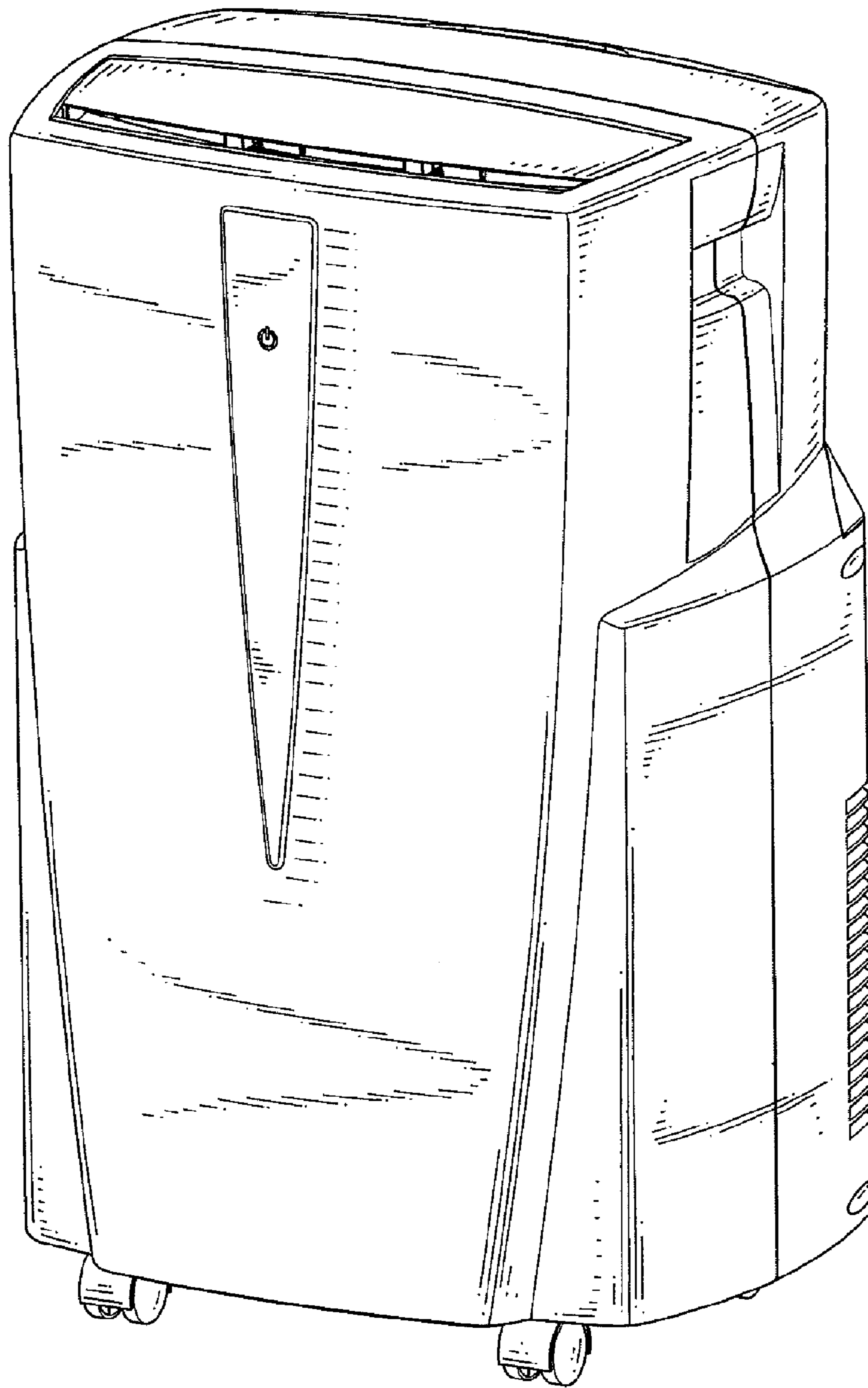


FIG.1

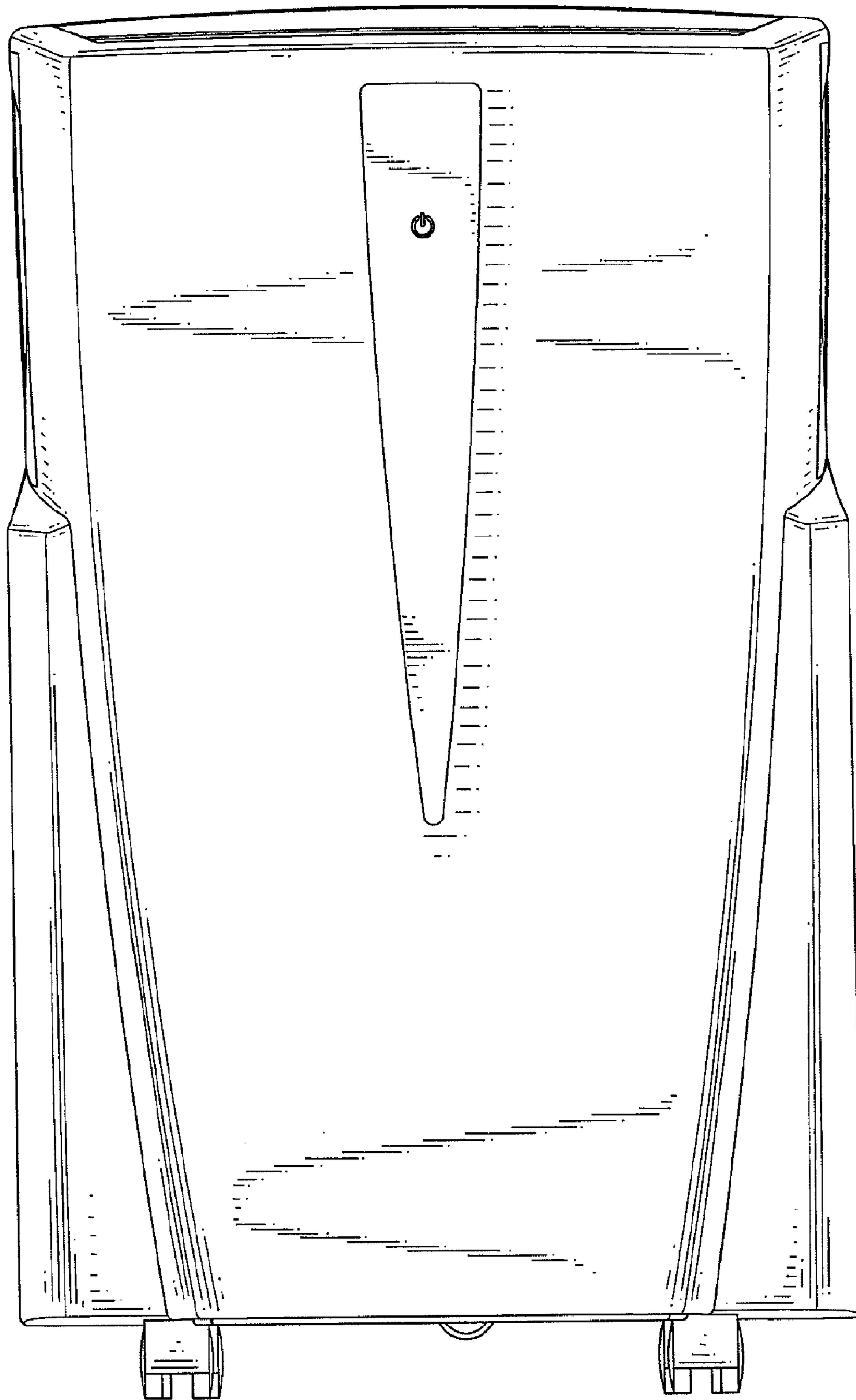


FIG.2

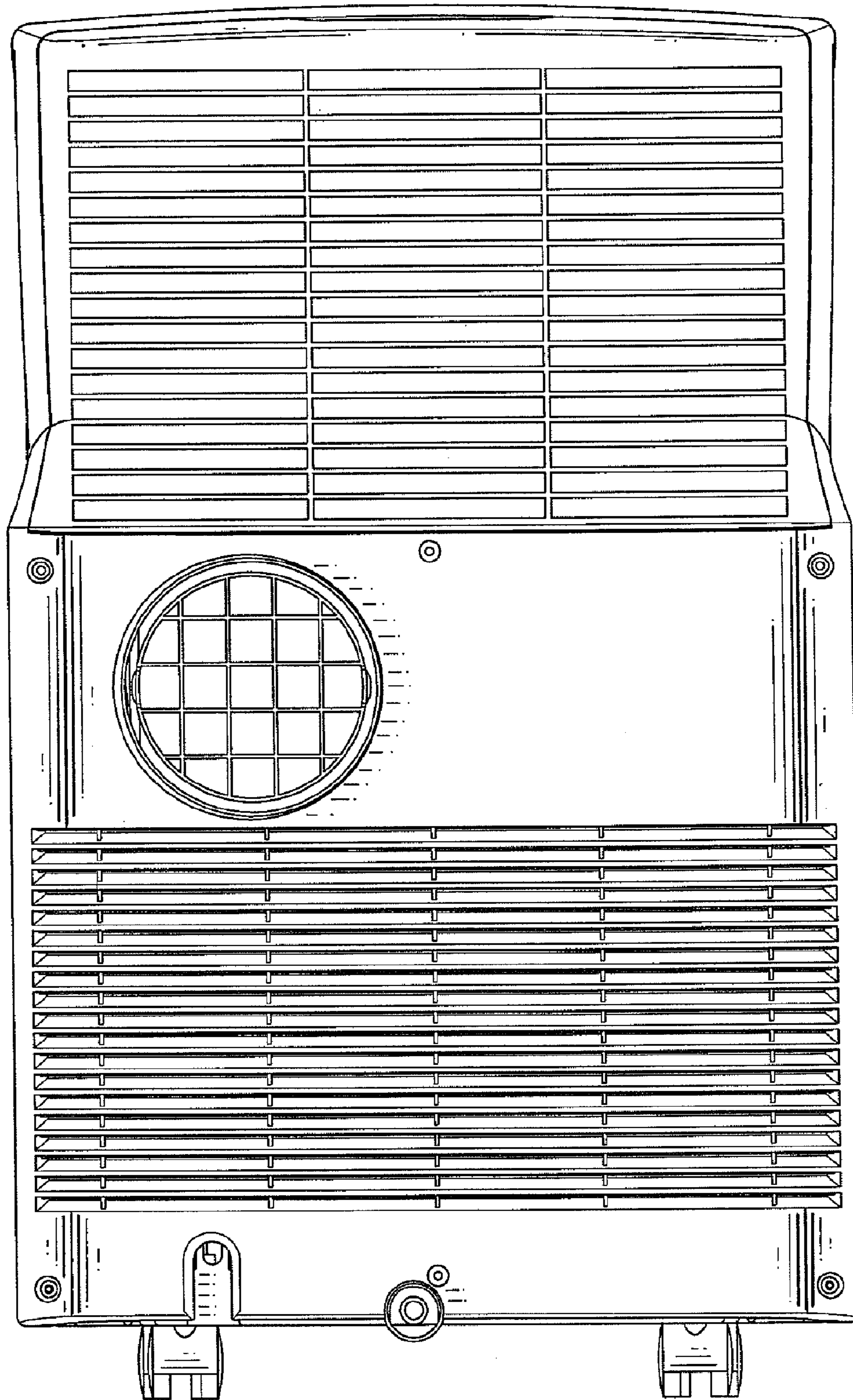


FIG.3

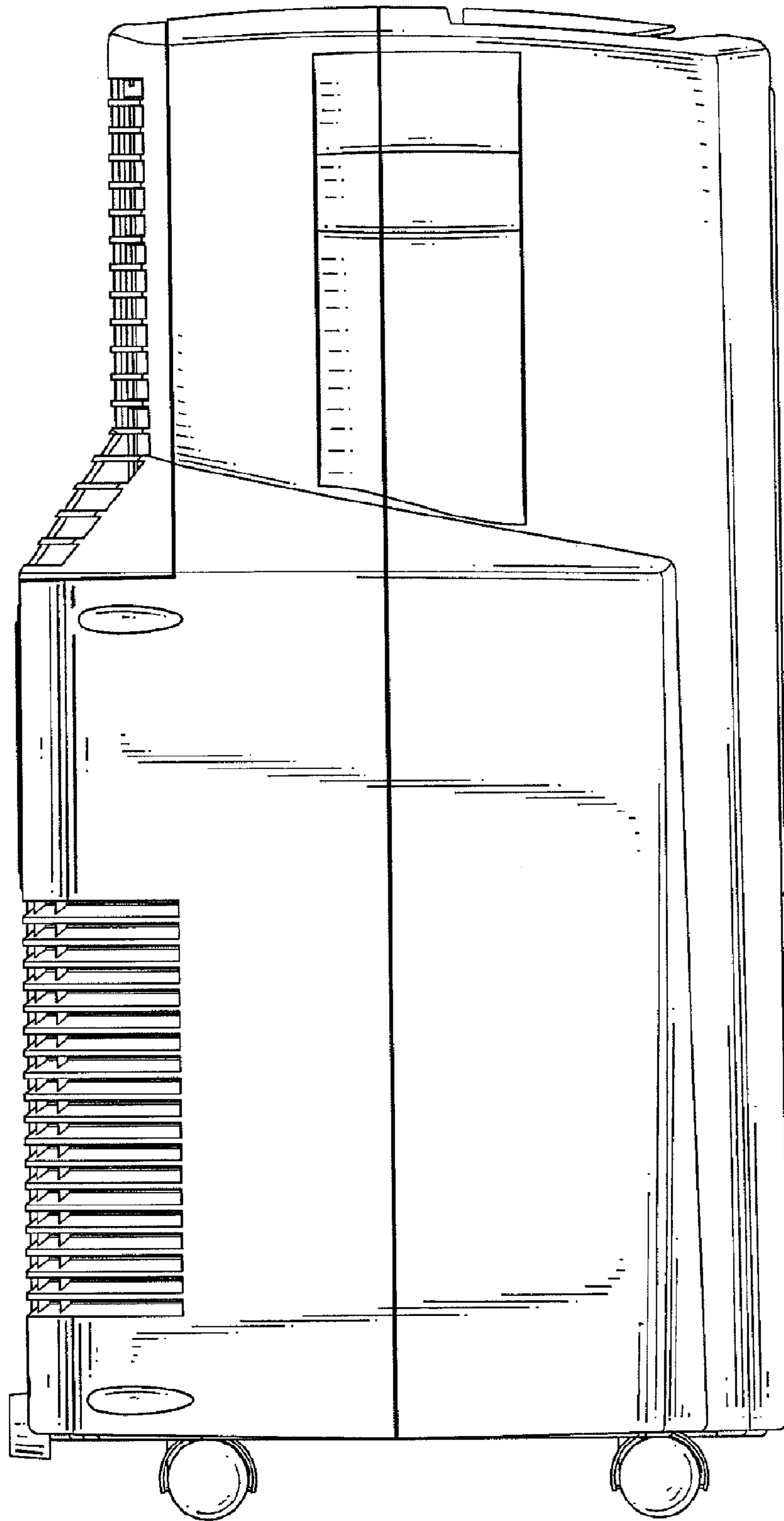


FIG.4

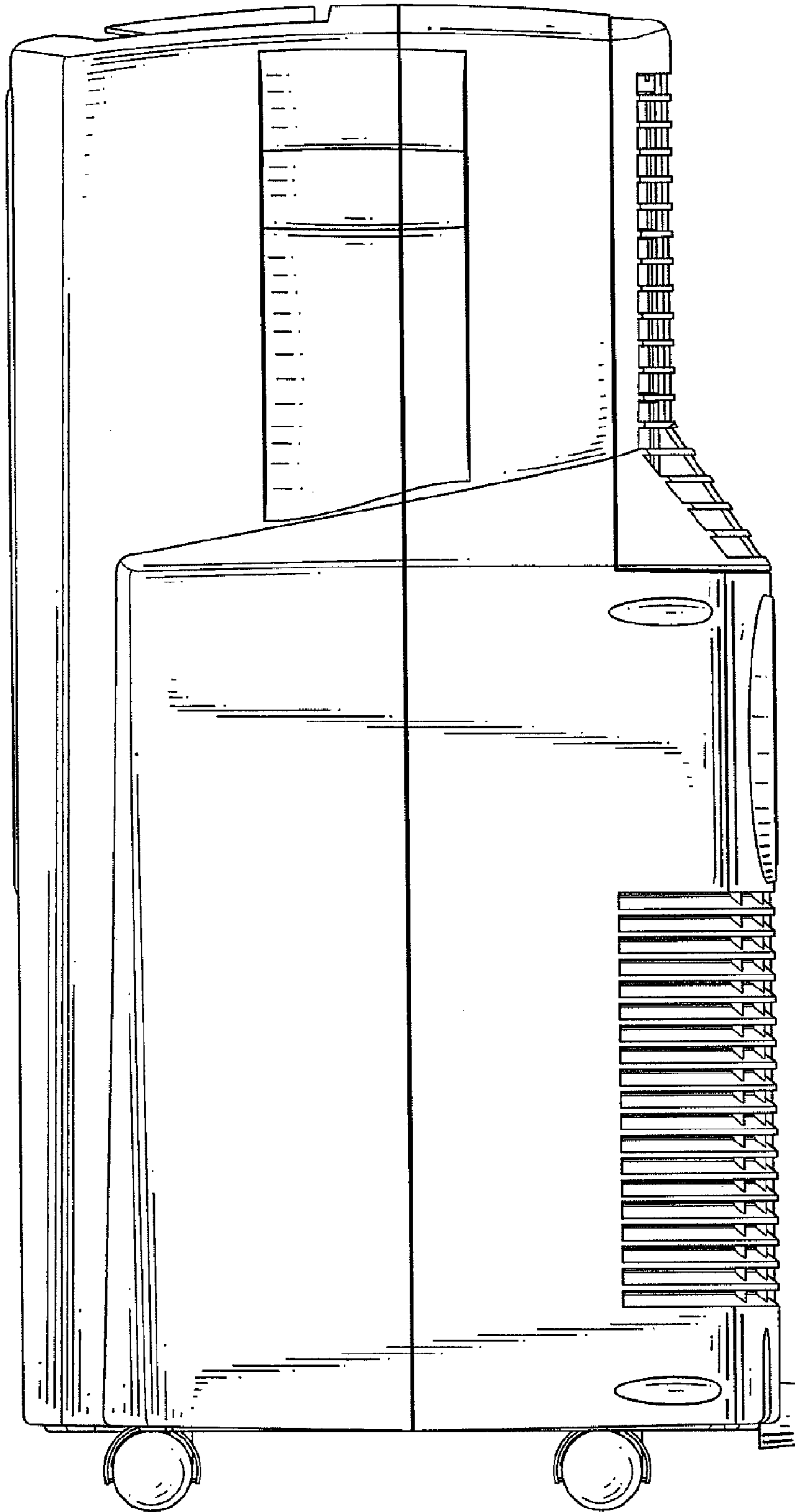


FIG.5

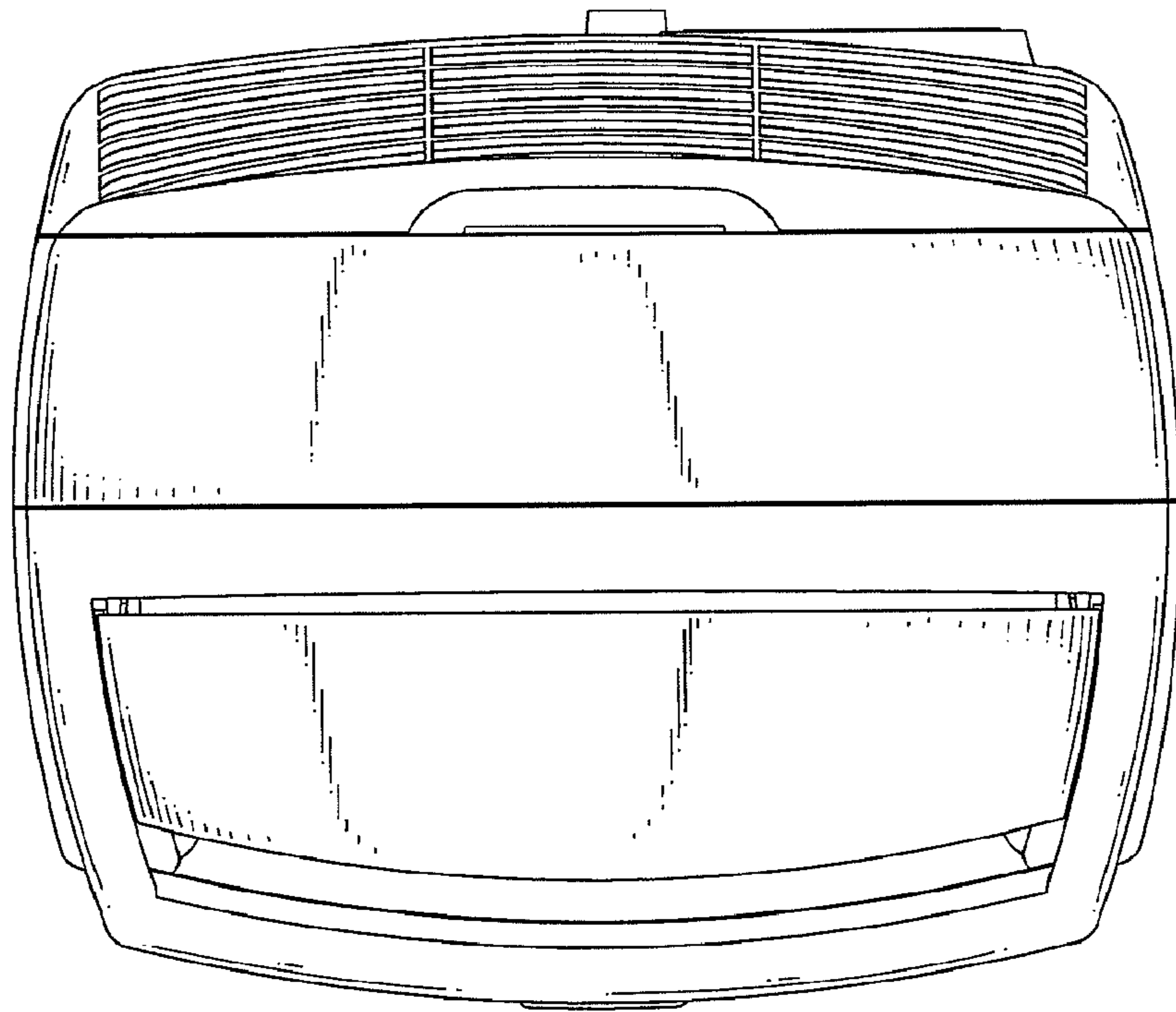


FIG. 6

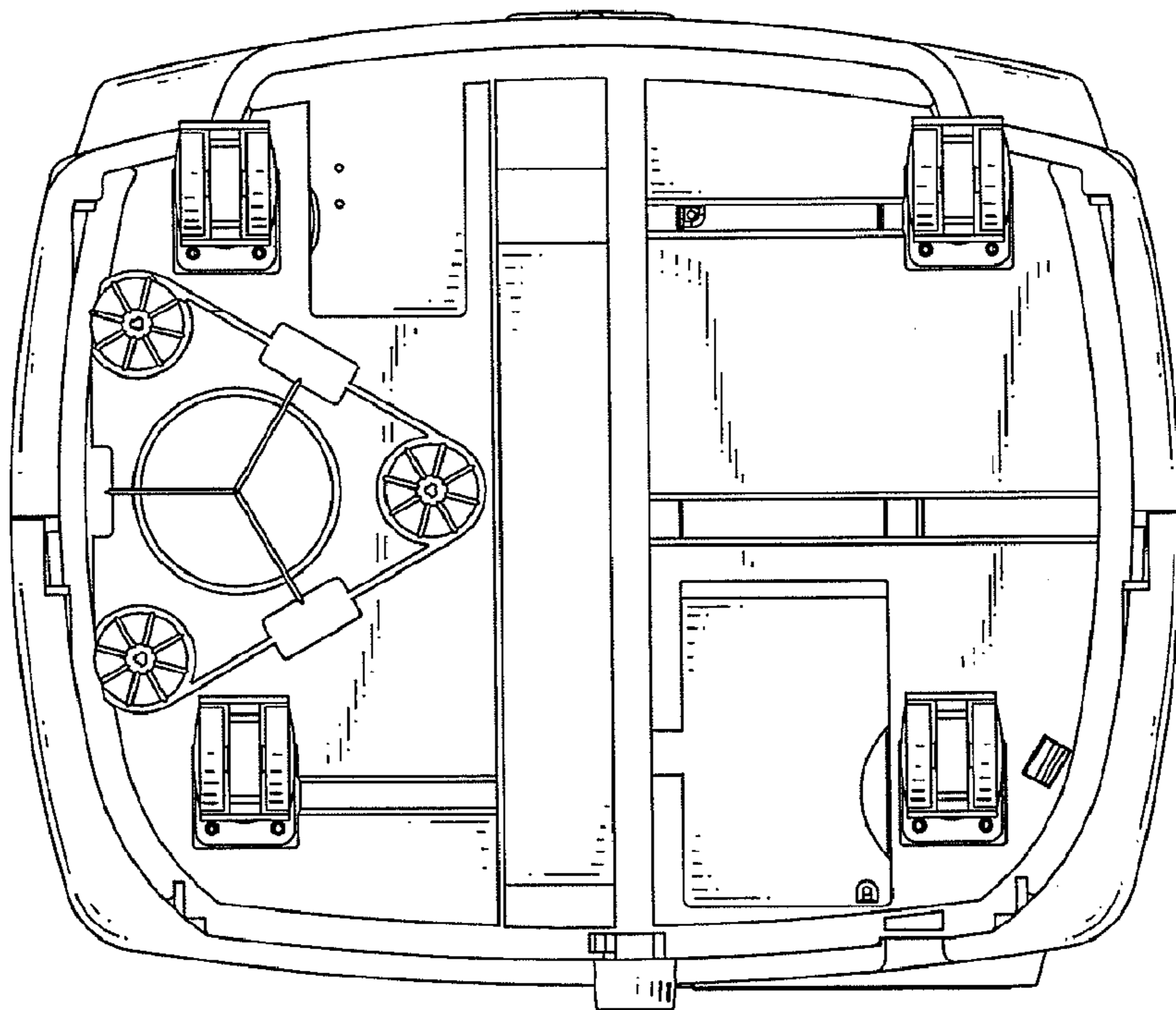


FIG. 7

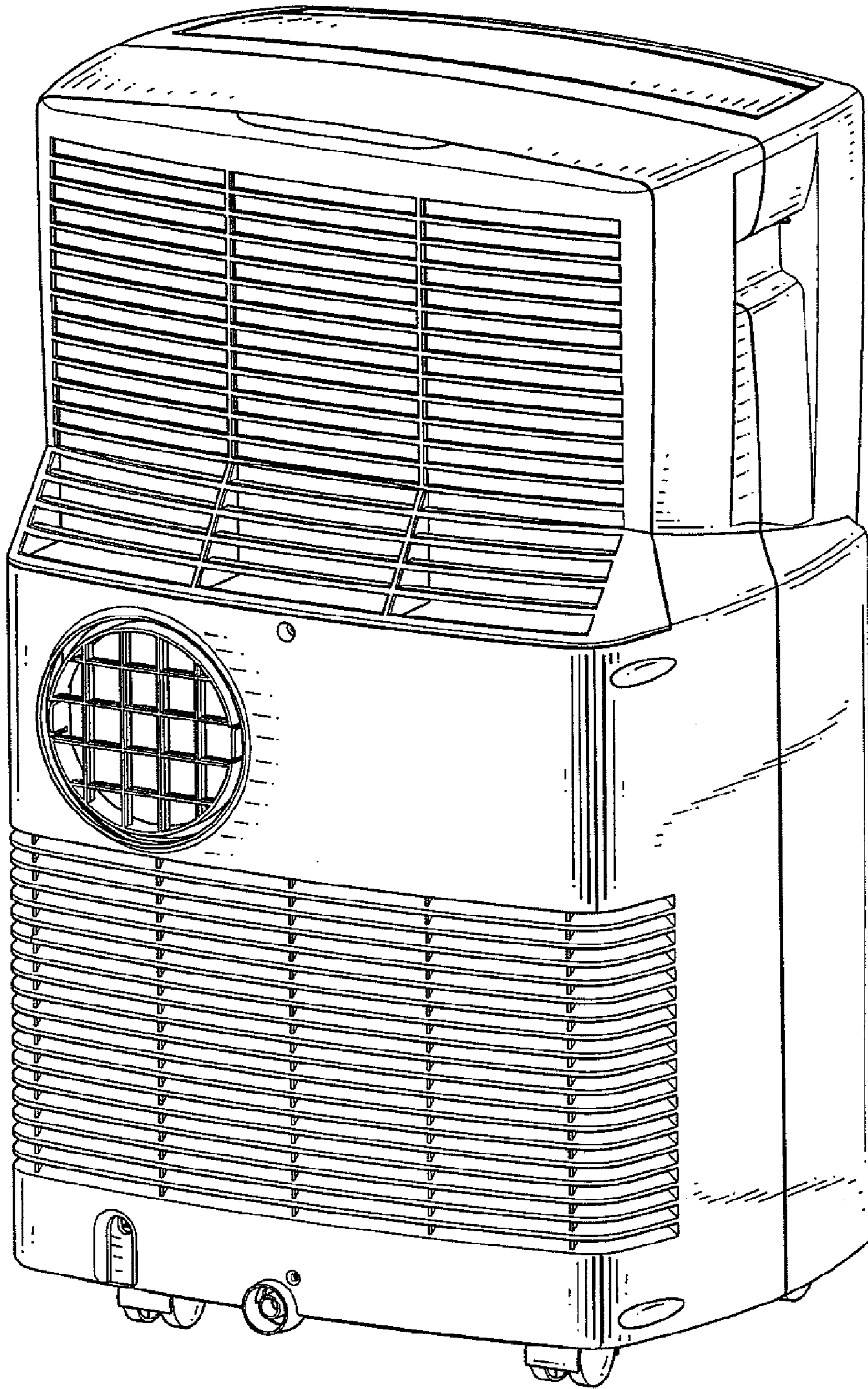


FIG. 8