

US00D548311S

(12) **United States Design Patent** (10) **Patent No.:** **US D548,311 S**  
**Mahon** (45) **Date of Patent:** **\*\* Aug. 7, 2007**

(54) **SINK**

(75) Inventor: **Terrence K. Mahon**, Whitefish Bay, WI (US)

(73) Assignee: **Kohler Co.**, Kohler, WI (US)

(\*\*) Term: **14 Years**

(21) Appl. No.: **29/242,180**

(22) Filed: **Nov. 7, 2005**

(51) **LOC (8) Cl.** ..... **23-02**

(52) **U.S. Cl.** ..... **D23/290**

(58) **Field of Classification Search** ..... D23/290,  
D23/303, 308; 4/639-642

See application file for complete search history.

(56) **References Cited**

**U.S. PATENT DOCUMENTS**

D451,585 S	12/2001	Svendsen et al.	
D473,292 S *	4/2003	Paredes	D23/290
D497,415 S *	10/2004	Arnold	D23/290
D500,357 S *	12/2004	Bayer et al.	D23/290

**OTHER PUBLICATIONS**

Kohler Co., 2004 K-700 Design Manual "Ballad," Model K3268-3: Stainless Steel Double Bowl Kitchen Sink.

Faucet.com website: Blanco "Supreme, Model 510-884 R: Stainless Steel Double Bowl Kitchen Sink, <http://www.faucet.com/decor/product.pl?mid=1867&fh=StainlessSteel&P&source=ggl>" Oct. 24, 2005.

U.S. Appl. No. 29/222,133, filed Jan. 26, 2005, Figs. 1-6.

\* cited by examiner

*Primary Examiner*—Robert A. Delehanty  
(74) *Attorney, Agent, or Firm*—Quarles & Brady LLP

(57) **CLAIM**

The ornamental design for a sink, as shown and described.

**DESCRIPTION**

In a preferred embodiment, the nature of this product is as a plumbing fixture primarily useful for washing various objects.

FIG. 1 is a right, top, front perspective view of a sink according to my new design;

FIG. 2 is a top plan view thereof;

FIG. 3 is a front elevational view thereof;

FIG. 4 is a rear elevational view thereof;

FIG. 5 is a right side elevational view thereof;

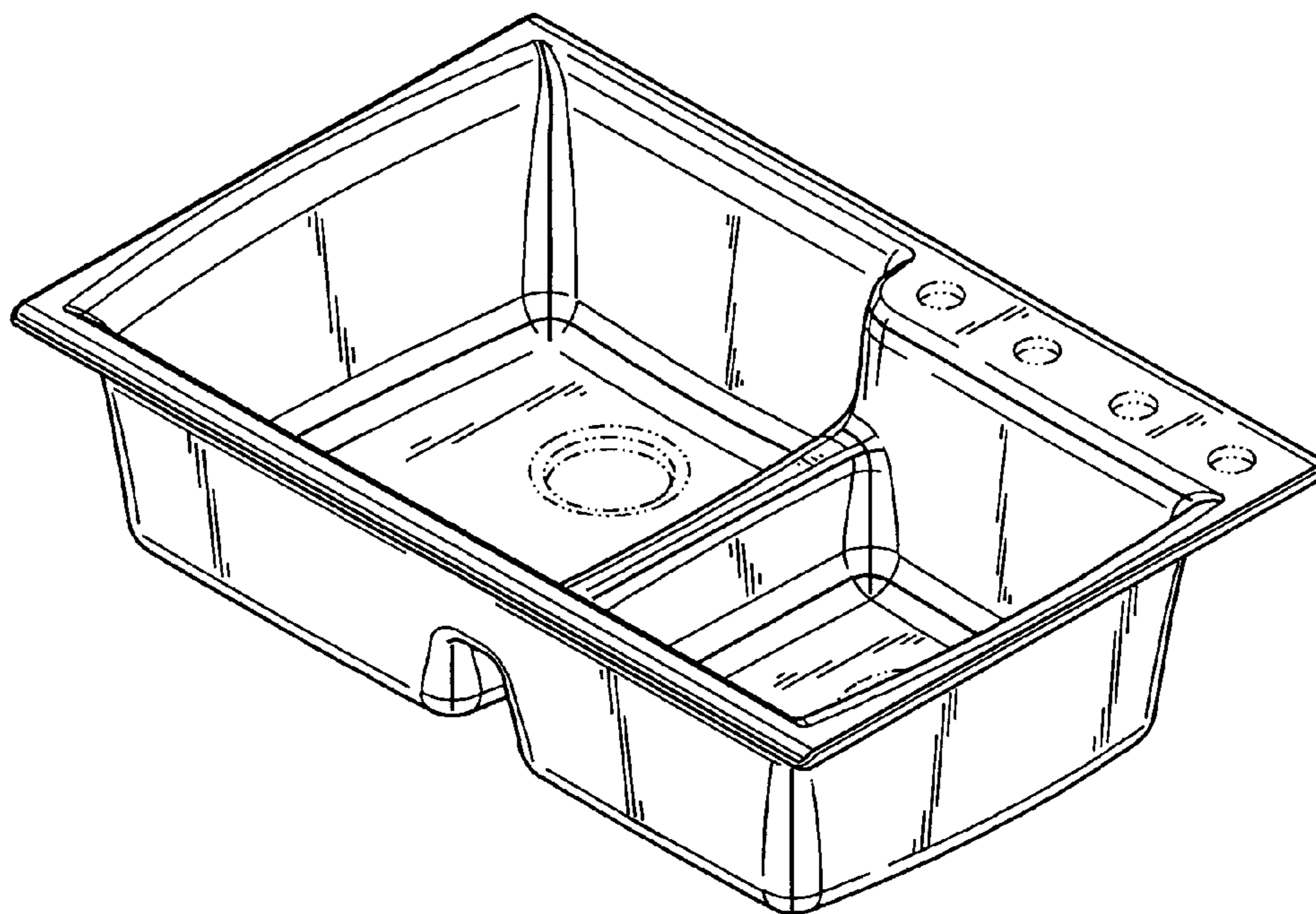
FIG. 6 is a left side elevational view thereof;

FIG. 7 is a bottom plan view thereof; and,

FIG. 8 a left, top, front perspective view of a sink according to another embodiment of my design, the top plan view, front elevational view, rear elevational view, right side elevational view, left side elevational view, and bottom plan view thereof being mirror images of the views shown in FIGS. 2-7, respectively.

The broken line representations of drain structure in the figures and mounting holes in FIGS. 1, 2, 7 and 8 are for the purpose of illustration only, and form no part of the claimed design.

**1 Claim, 4 Drawing Sheets**



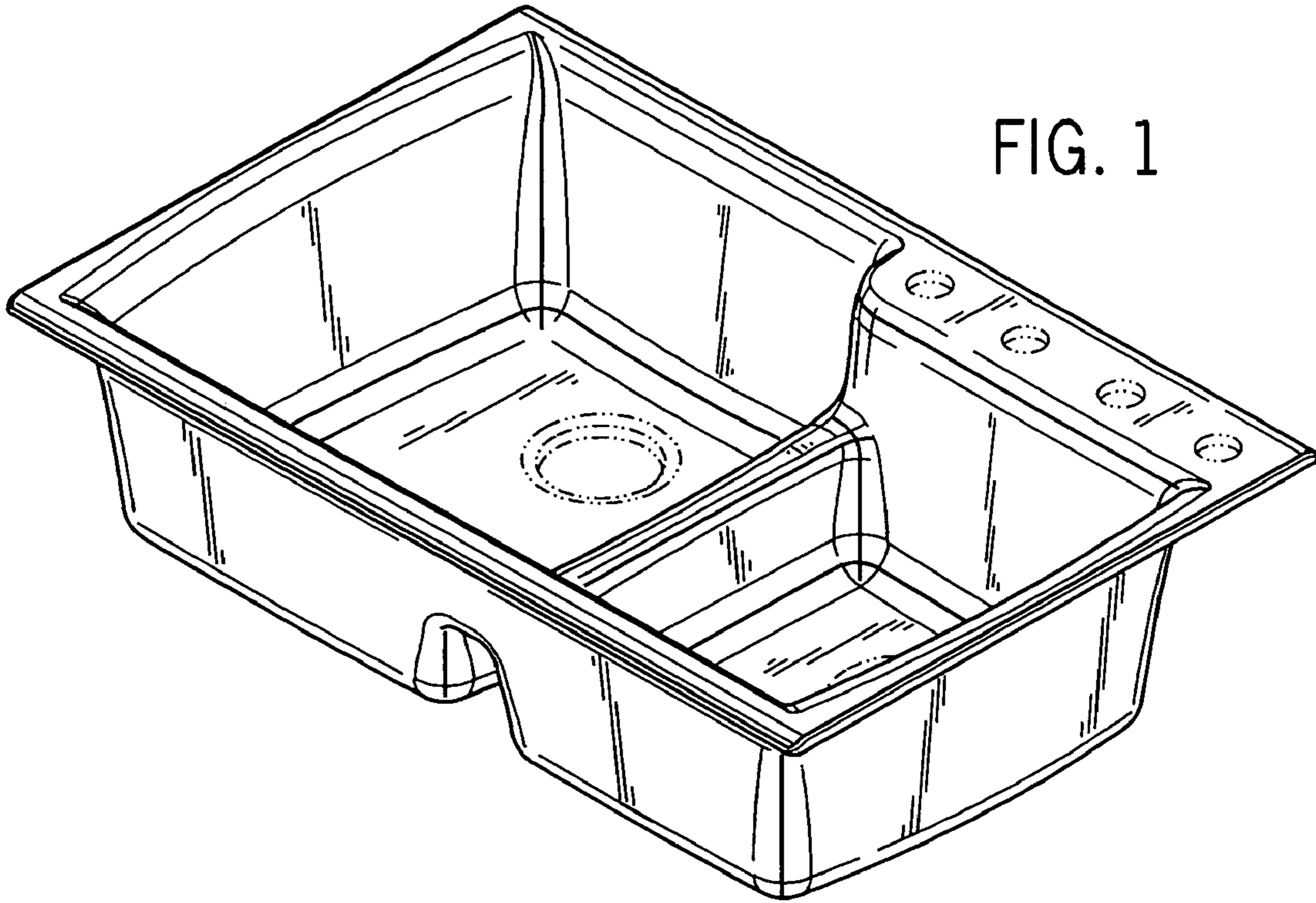


FIG. 1

FIG. 2

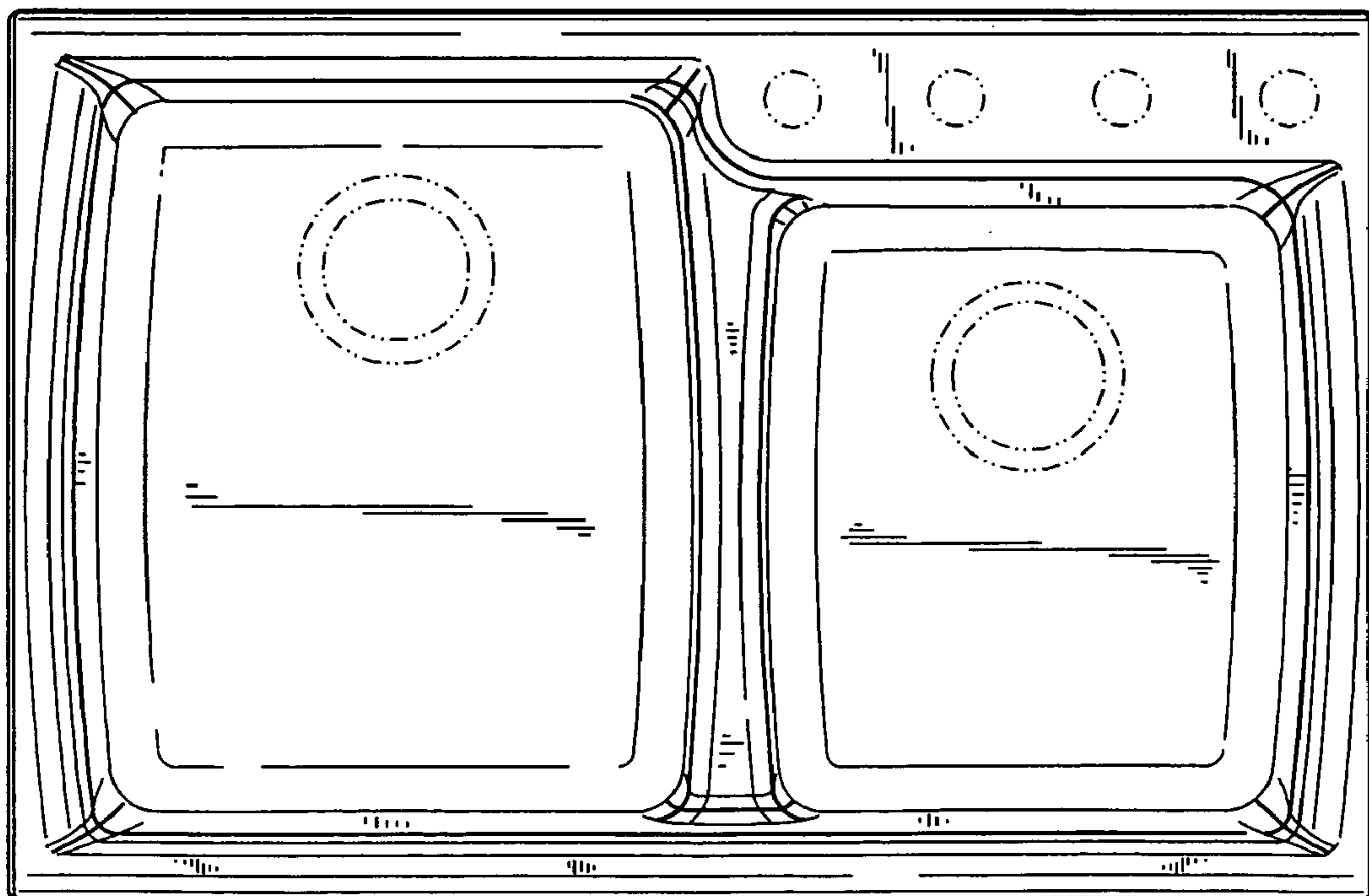


FIG. 3

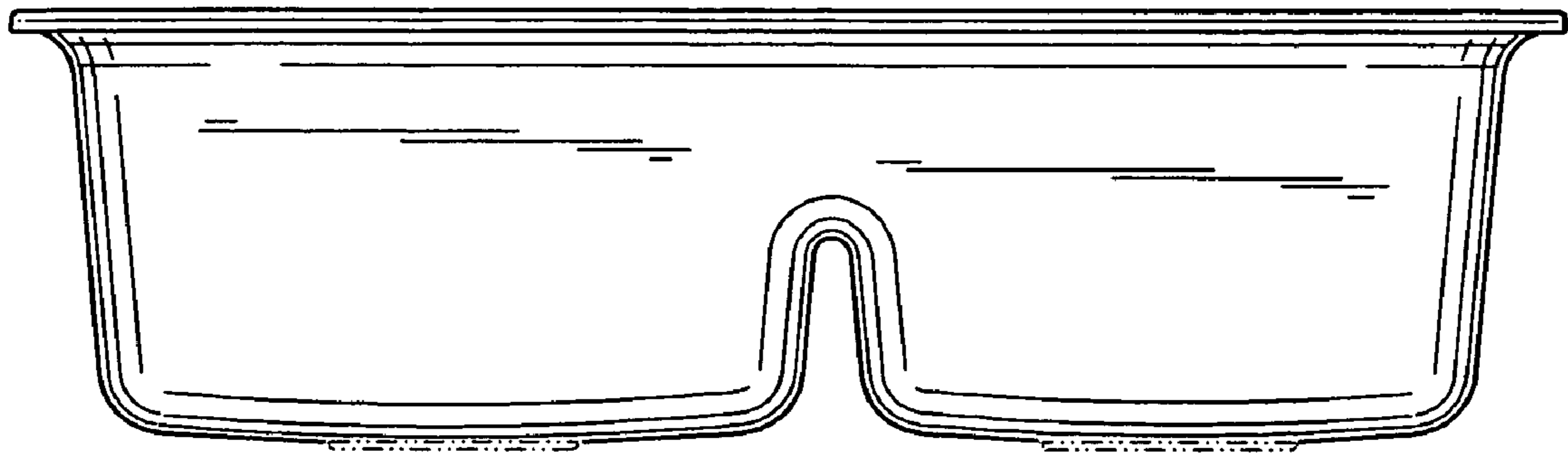


FIG. 4

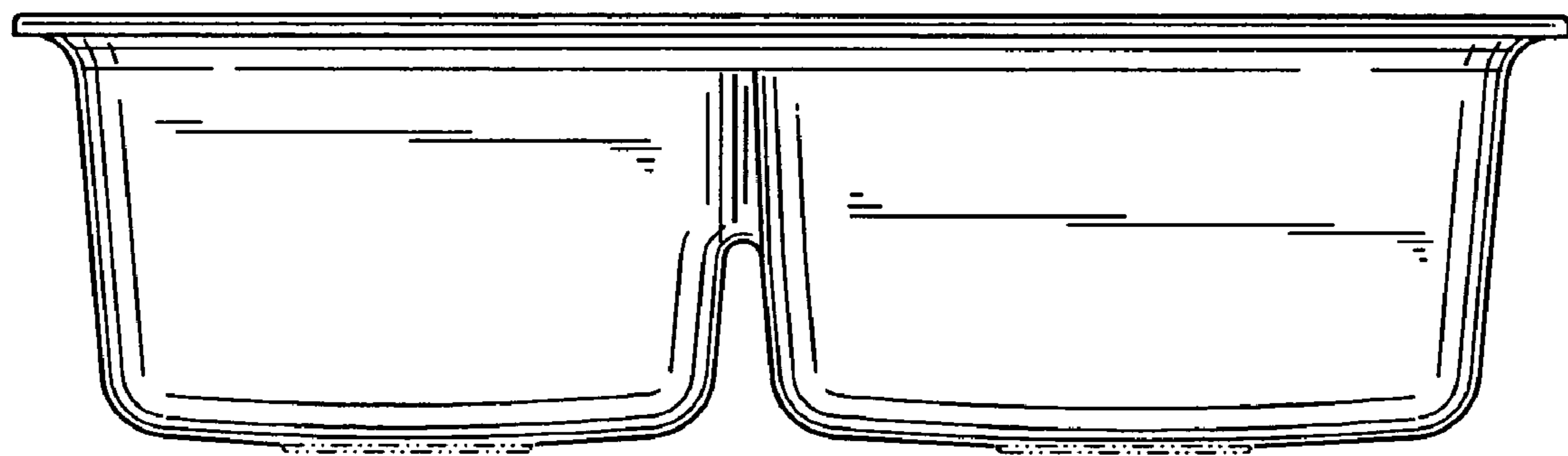


FIG. 5

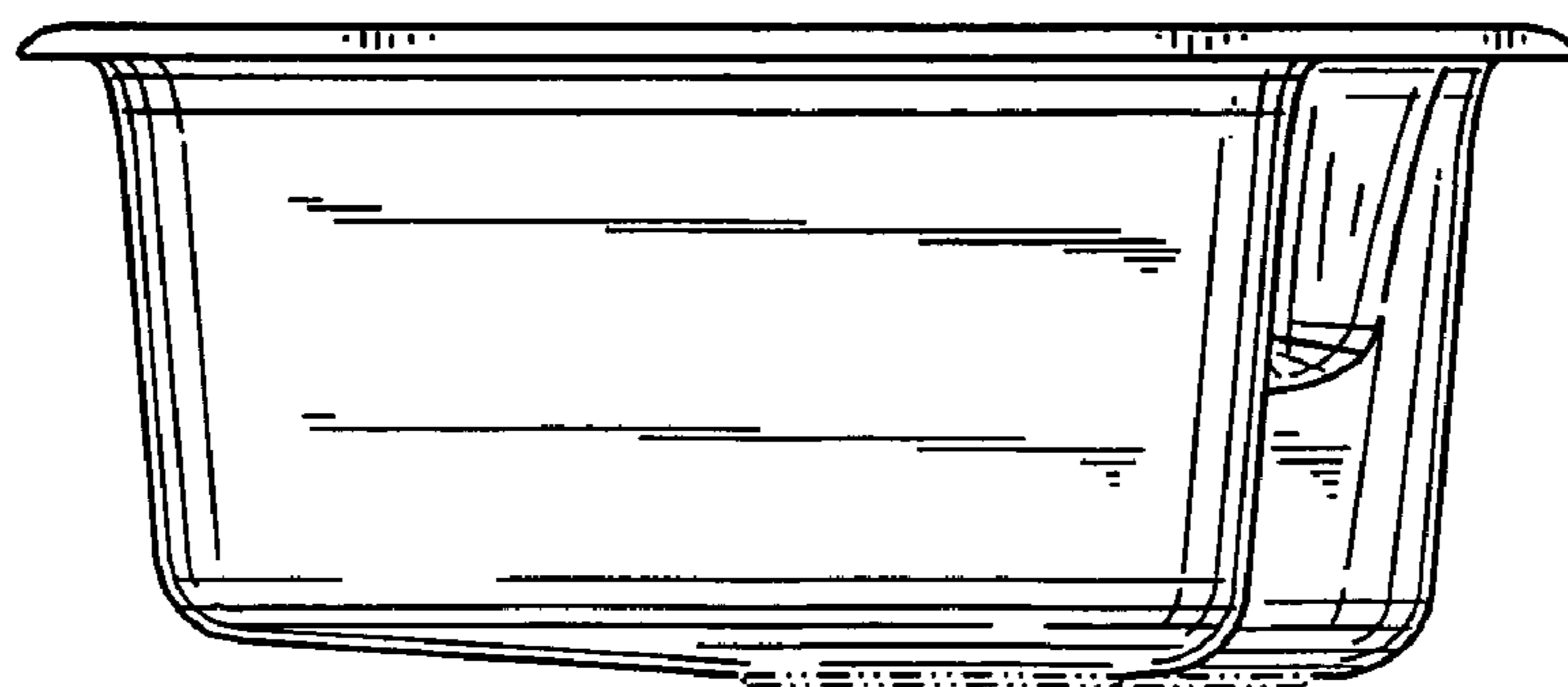


FIG. 6

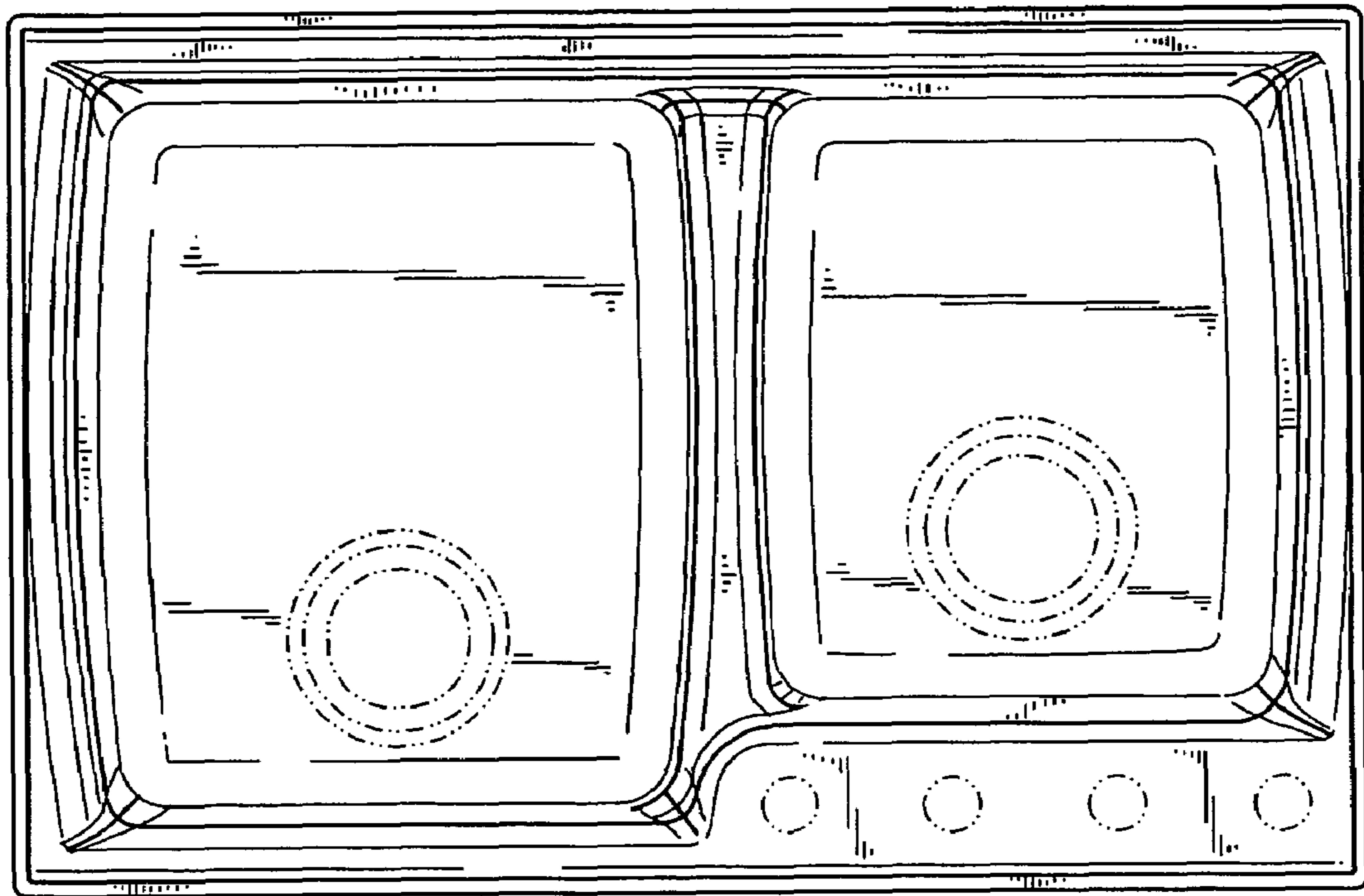
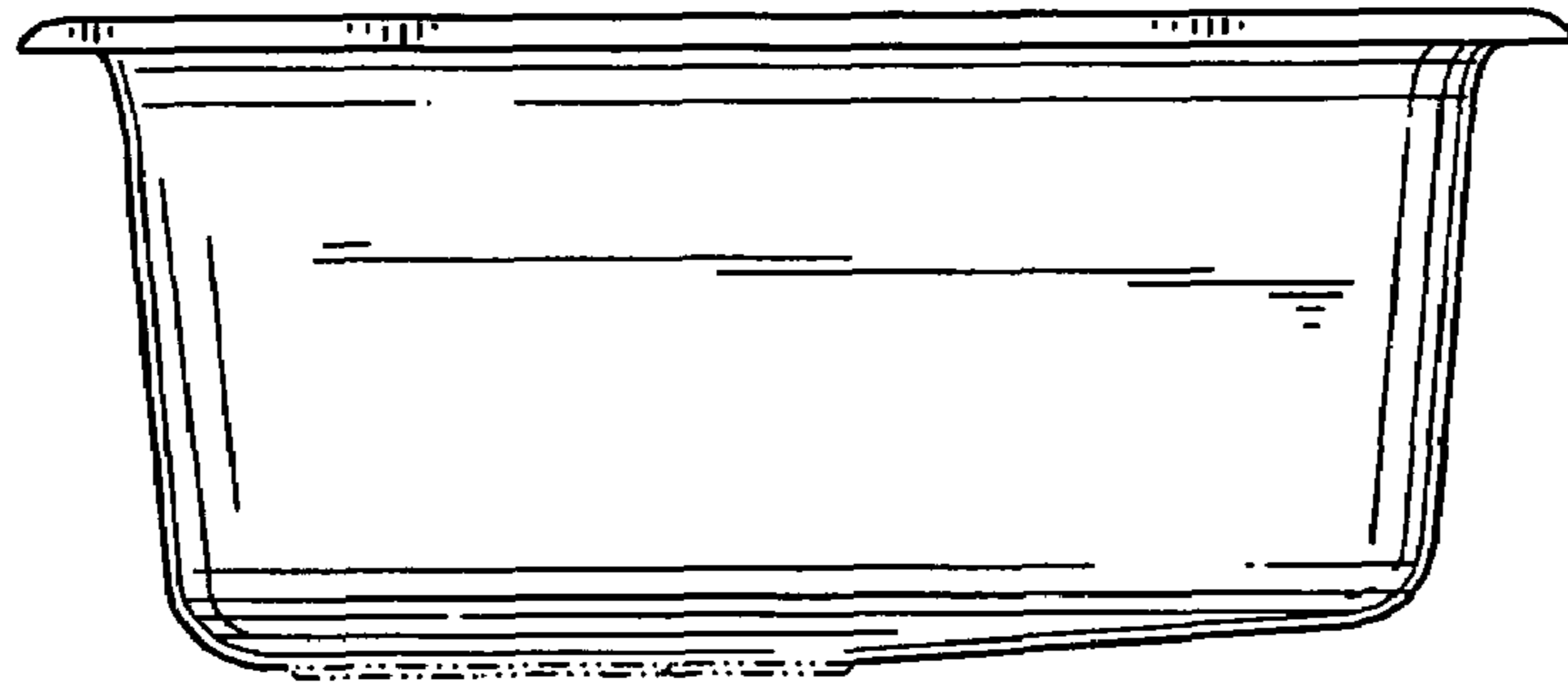


FIG. 7

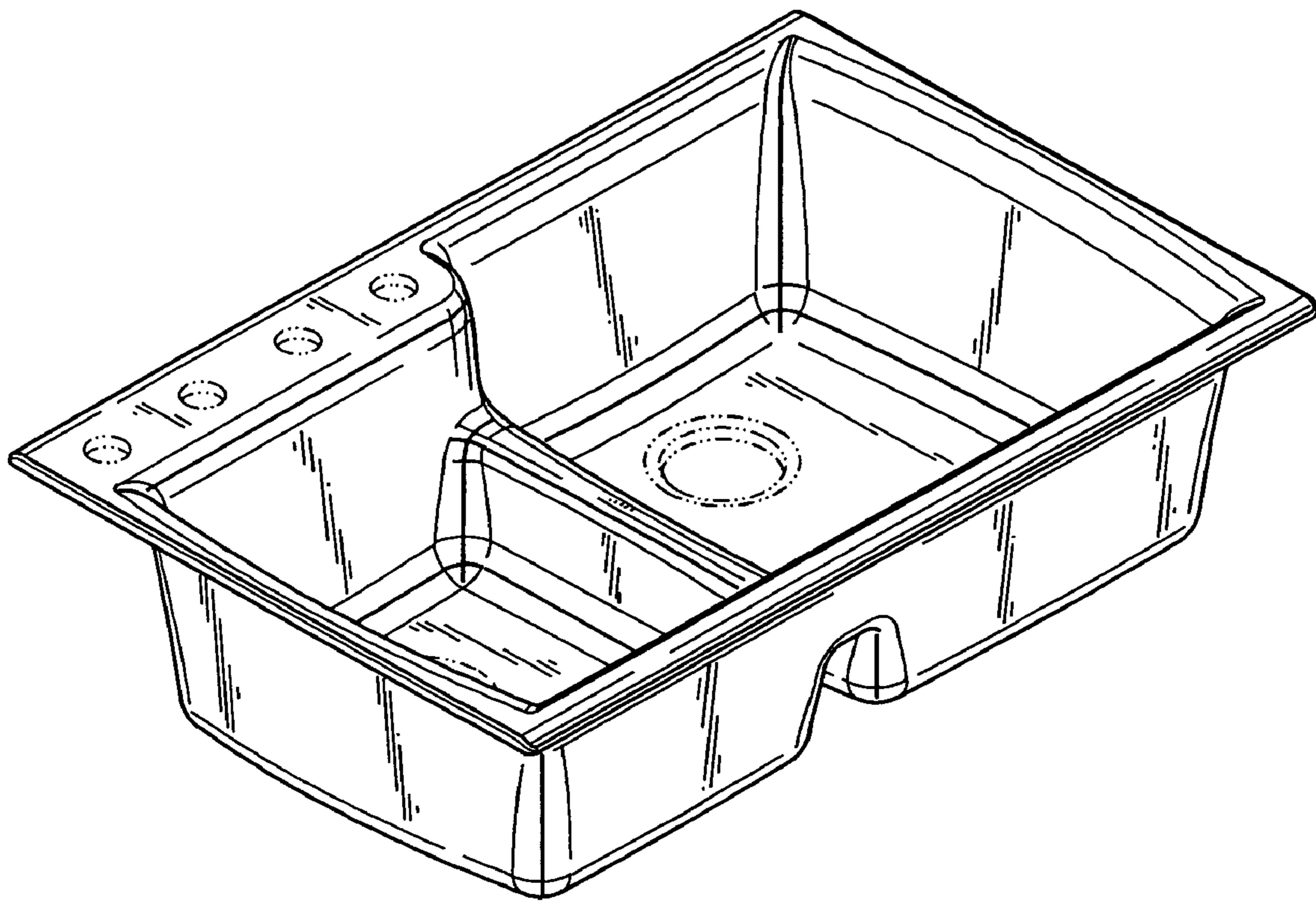


FIG. 8