



US00D548309S

(12) **United States Design Patent** (10) **Patent No.:** **US D548,309 S**  
**Gagas** (45) **Date of Patent:** **\*\* Aug. 7, 2007**

(54) **GATE VALVE SEALING STRUCTURE**

(75) Inventor: **Michael Gagas**, Franklin, WI (US)

(73) Assignee: **Adaptor, Inc.**, West Allis, WI (US)

(\*\*) Term: **14 Years**

(21) Appl. No.: **29/237,547**

(22) Filed: **Sep. 1, 2005**

(51) **LOC (8) Cl.** ..... **23-01**

(52) **U.S. Cl.** ..... **D23/244**

(58) **Field of Classification Search** ..... D23/233-237,  
D23/244-249; 251/63, 326-329; 137/884,  
137/367, 365, 364, 370, 368; 123/308; 403/6,  
403/10, 17, 287

See application file for complete search history.

(56) **References Cited**

**U.S. PATENT DOCUMENTS**

349,567 A	9/1886	Clarke
514,633 A	2/1894	Sund
536,268 A	3/1895	Cullen
589,357 A	8/1897	Link
604,622 A	5/1898	Lobdell et al.
820,616 A	5/1906	Batt
852,359 A	4/1907	Walcott et al.
996,956 A	7/1911	Walcott
1,608,772 A	11/1926	Cole
1,987,502 A	1/1935	Born et al.
2,008,138 A	7/1935	Le Duc
2,099,479 A	11/1937	Heinkel et al.
2,596,532 A	5/1952	Coolidge et al.
3,308,727 A	3/1967	Hurt, Jr.
3,548,864 A	12/1970	Handley et al.
3,658,086 A	4/1972	Hart
4,029,425 A	6/1977	Pelsue
4,030,519 A	6/1977	Zinn
RE29,532 E	2/1978	Zwick
4,188,151 A	2/1980	Hall

4,275,757 A	6/1981	Singer
4,305,679 A	12/1981	Modi
4,308,886 A	1/1982	Handley et al.
4,350,177 A	9/1982	Firchau et al.
4,368,893 A	1/1983	Gagas
4,440,407 A	4/1984	Gagas
4,449,715 A	5/1984	Gagas
4,469,467 A	9/1984	Odill et al.
4,475,845 A	10/1984	Odill et al.
4,534,378 A	8/1985	Gagas et al.

(Continued)

**FOREIGN PATENT DOCUMENTS**

GB 2 102 479 A 6/1982

*Primary Examiner*—Charles A. Rademaker

*Assistant Examiner*—Maurice Stevens

(74) *Attorney, Agent, or Firm*—Ryan Kromholz & Manion, S.C.

(57) **CLAIM**

The ornamental design for a gate valve sealing structure, as shown and described.

**DESCRIPTION**

FIG. 1 is a perspective view of a gate valve sealing structure according to the present invention.

FIG. 2 is right side elevation view of the structure of FIG. 1, the left side view being a mirror image thereof.

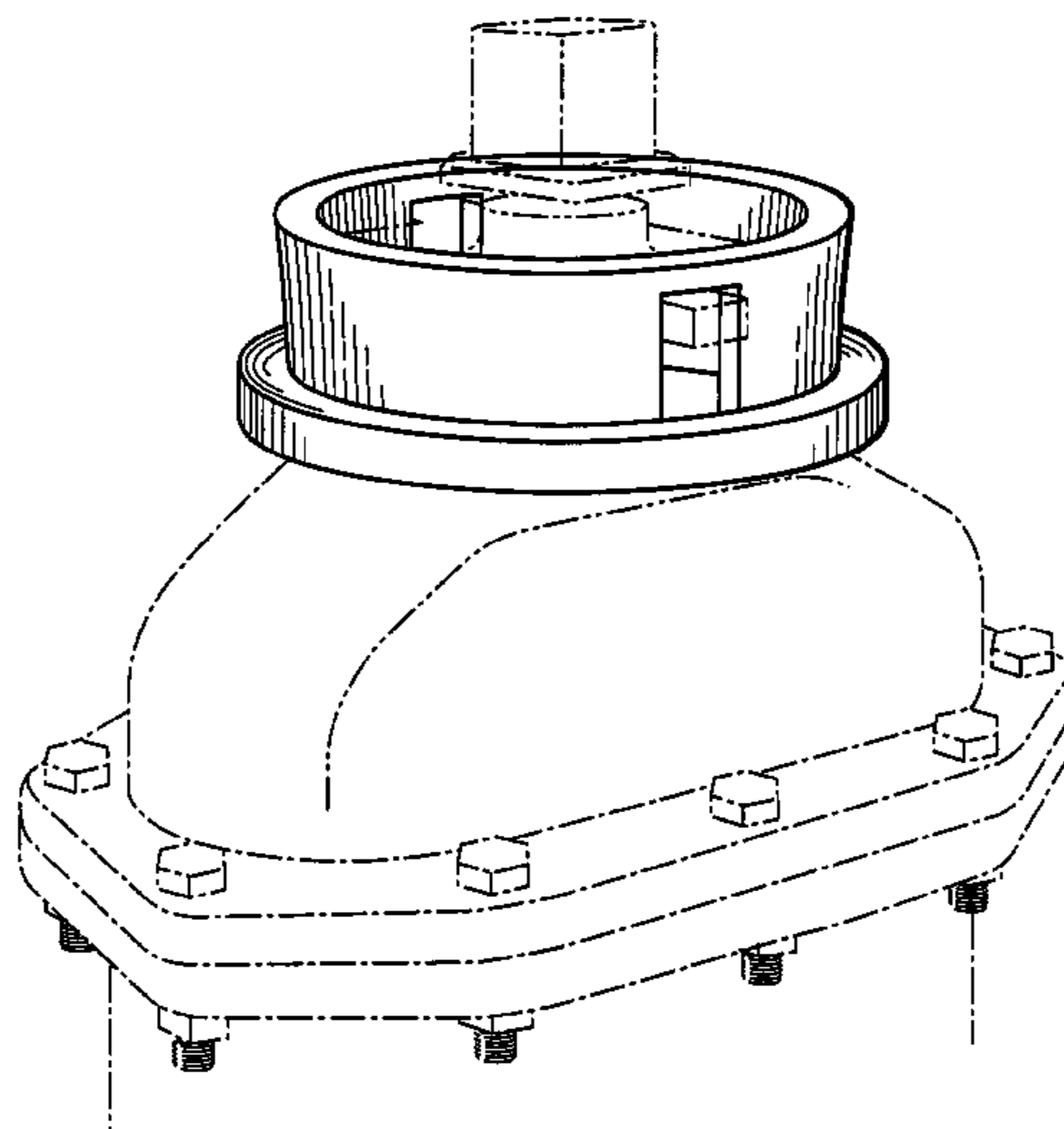
FIG. 3 is a front elevation view of the structure of FIG. 1, the rear view being a mirror image thereof.

FIG. 4 is a top plan view of the structure of FIG. 1; and,

FIG. 5 is a bottom plan view of the structure of FIG. 1.

The broken lines in FIG. 1 of a gate valve are illustrative of environmental structure only and form no part of the claimed design.

**1 Claim, 2 Drawing Sheets**



# US D548,309 S

Page 2

---

## U.S. PATENT DOCUMENTS

4,556,081 A	12/1985	Gagas	5,431,553 A	7/1995	Topf, Jr.	
4,592,674 A	6/1986	Baliva	5,482,400 A	1/1996	Bavington	
4,759,656 A	7/1988	Wilson	5,542,780 A	8/1996	Kourgli	
4,772,154 A	9/1988	Carouille	5,628,152 A	5/1997	Bowman	
4,819,687 A	4/1989	Alberico et al.	5,722,204 A	3/1998	Stieb et al.	
4,872,780 A	10/1989	Bowman	6,044,590 A	4/2000	Gagas	
4,927,163 A	5/1990	Gagas	6,092,550 A *	7/2000	Gotch et al. ....	137/365
5,095,667 A	3/1992	Ryan et al.	D437,917 S *	2/2001	Weingarten .....	D23/244
5,201,151 A	4/1993	LeBlanc et al.	6,354,325 B1	3/2002	Warnes et al.	
5,240,345 A	8/1993	Gagas	D460,526 S *	7/2002	Weingarten .....	D23/244
5,299,884 A	4/1994	Westhoff et al.	D489,797 S *	5/2004	Hall et al. ....	D23/244
5,316,040 A	5/1994	Townsend et al.	6,953,053 B2 *	10/2005	Waffler et al. ....	137/538
5,362,174 A	11/1994	Yang	2006/0131534 A1 *	6/2006	Leroux .....	251/326

\* cited by examiner

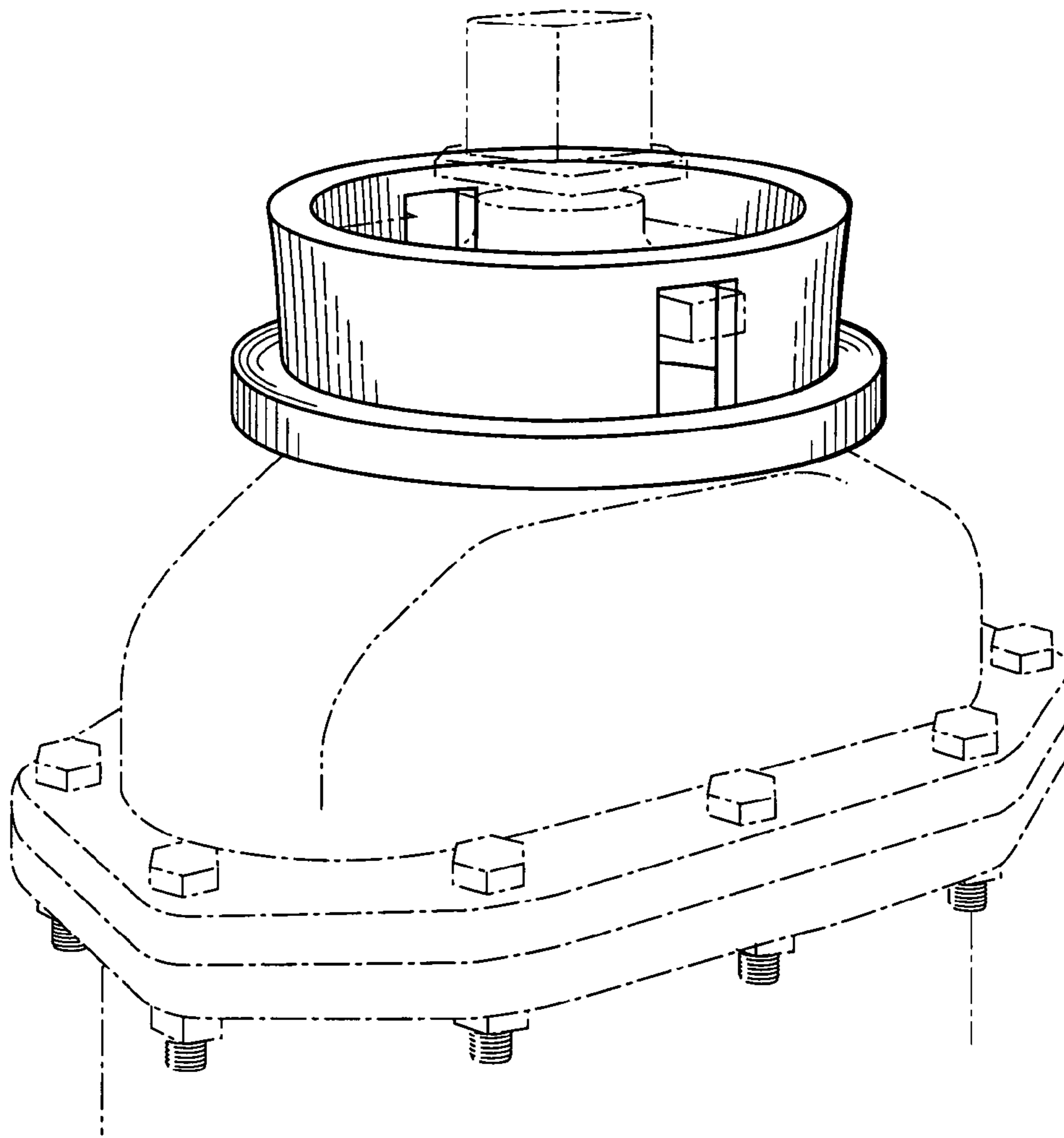


Fig. 1

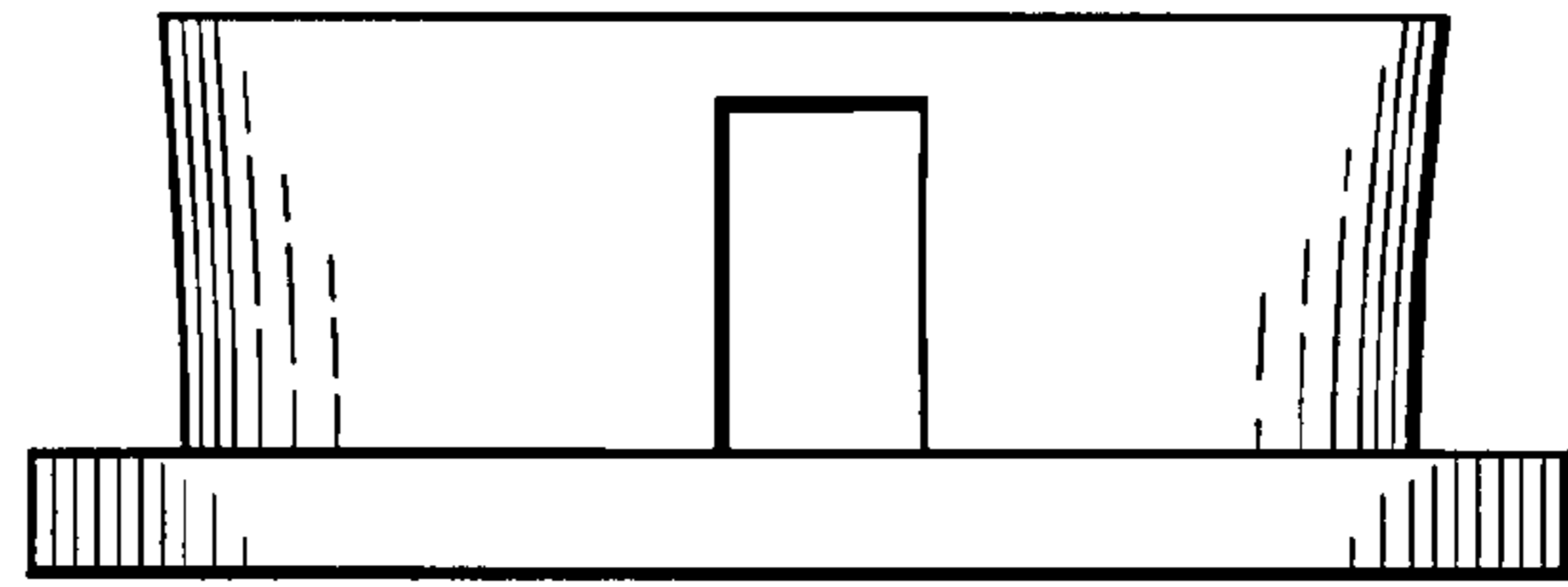


Fig. 2

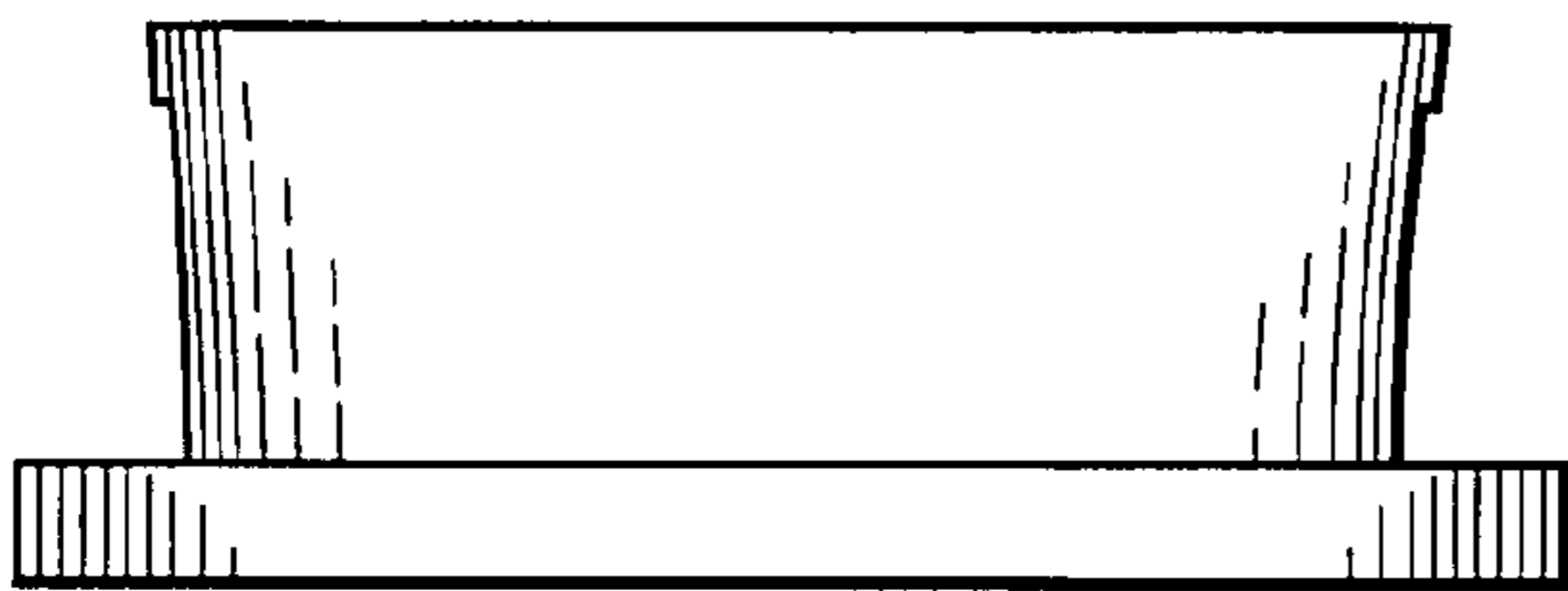


Fig. 3

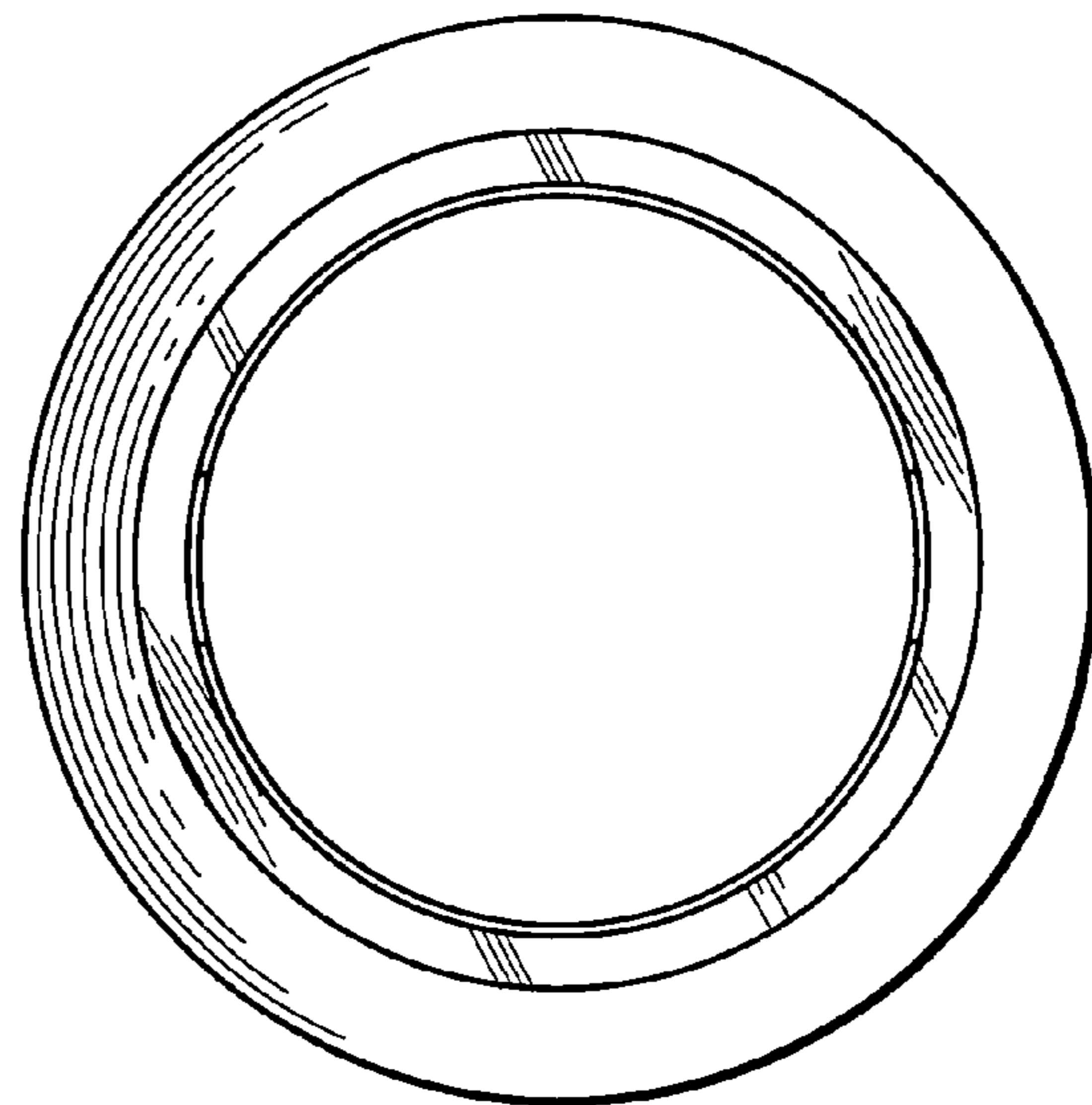


Fig. 4

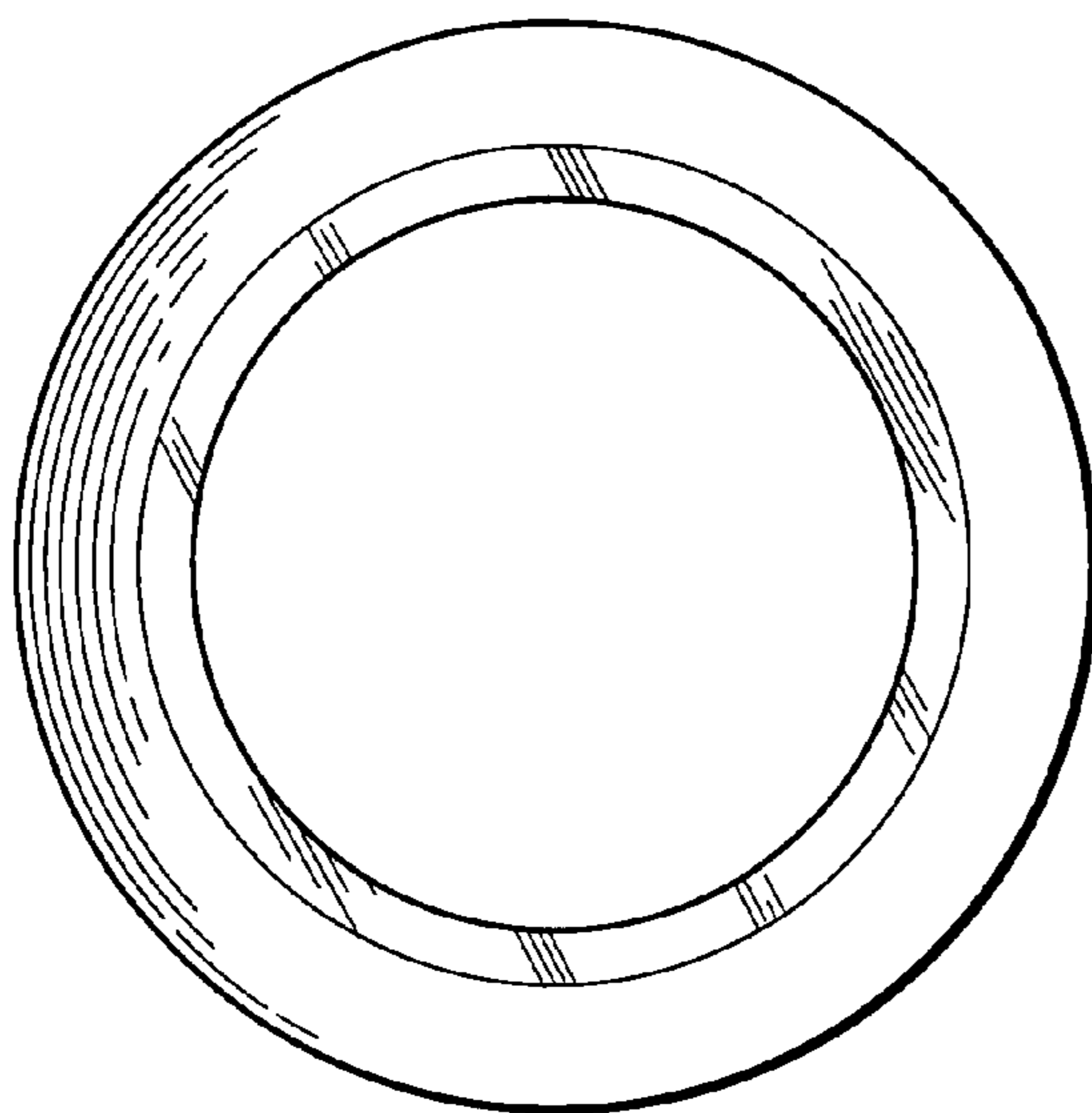


Fig. 5