

US00D548305S

(12) **United States Design Patent**
King et al.

(10) **Patent No.:** **US D548,305 S**

(45) **Date of Patent:** **** Aug. 7, 2007**

(54) **LAVATORY DISPENSING DEVICE**

6,934,973 B2* 8/2005 Lehmann et al. 4/231

(75) Inventors: **Christopher King**, Montvale, NJ (US);
Nevin Arora, Montvale, NJ (US)

* cited by examiner

Primary Examiner—Robin Webster

(73) Assignee: **Reckitt Benckiser Inc.**, Montvale, NJ
(US)

(74) *Attorney, Agent, or Firm*—Norris McLaughlin &
Marcus, PA

(**) Term: **14 Years**

(57) **CLAIM**

(21) Appl. No.: **29/256,577**

The ornamental design for a lavatory dispensing device, as
shown and described.

(22) Filed: **Mar. 22, 2006**

(51) **LOC (8) Cl.** **23-01**

(52) **U.S. Cl.** **D23/208**

(58) **Field of Classification Search** D23/208;
4/223, 225.1, 227.1, 231

See application file for complete search history.

DESCRIPTION

FIG. 1 is a perspective view of the top and front of our
device;

FIG. 2 is a plan view of the front of the device;

FIG. 3 is a plan view of a side of our device; the other side
of our device which is not depicted in the figures is sym-
metrical with this side view;

FIG. 4 is a plan view of the bottom of our device;

FIG. 5 is a plan view of the rear of the device; and,

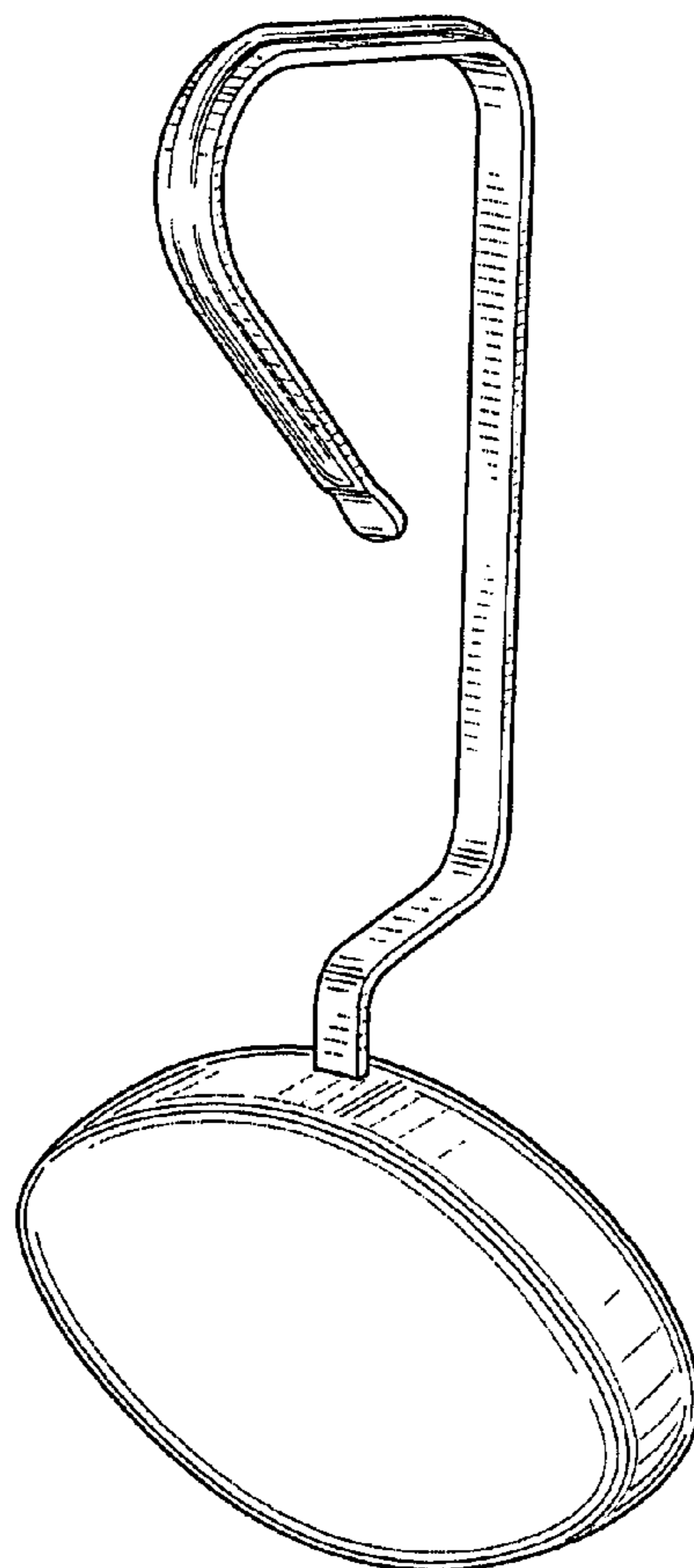
FIG. 6 is a plan view of the top of our device.

(56) **References Cited**

U.S. PATENT DOCUMENTS

4,203,172	A *	5/1980	Goncalves	4/231
D273,607	S *	4/1984	Joyaux et al.	D23/208
D307,934	S *	5/1990	Verebelyi	D23/208
D387,848	S *	12/1997	Thompson et al.	D23/208
6,505,356	B1 *	1/2003	Leonard et al.	4/231

1 Claim, 3 Drawing Sheets



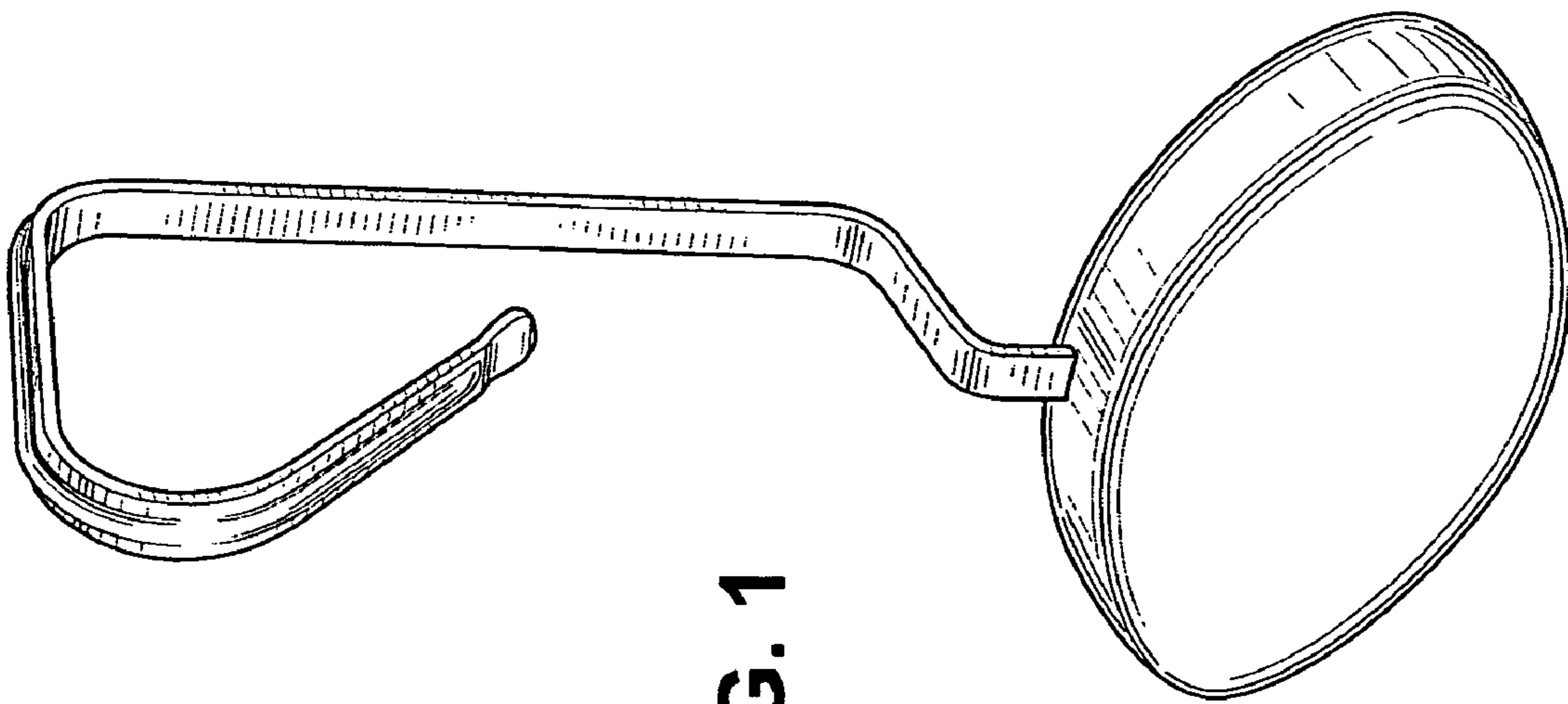


FIG. 1

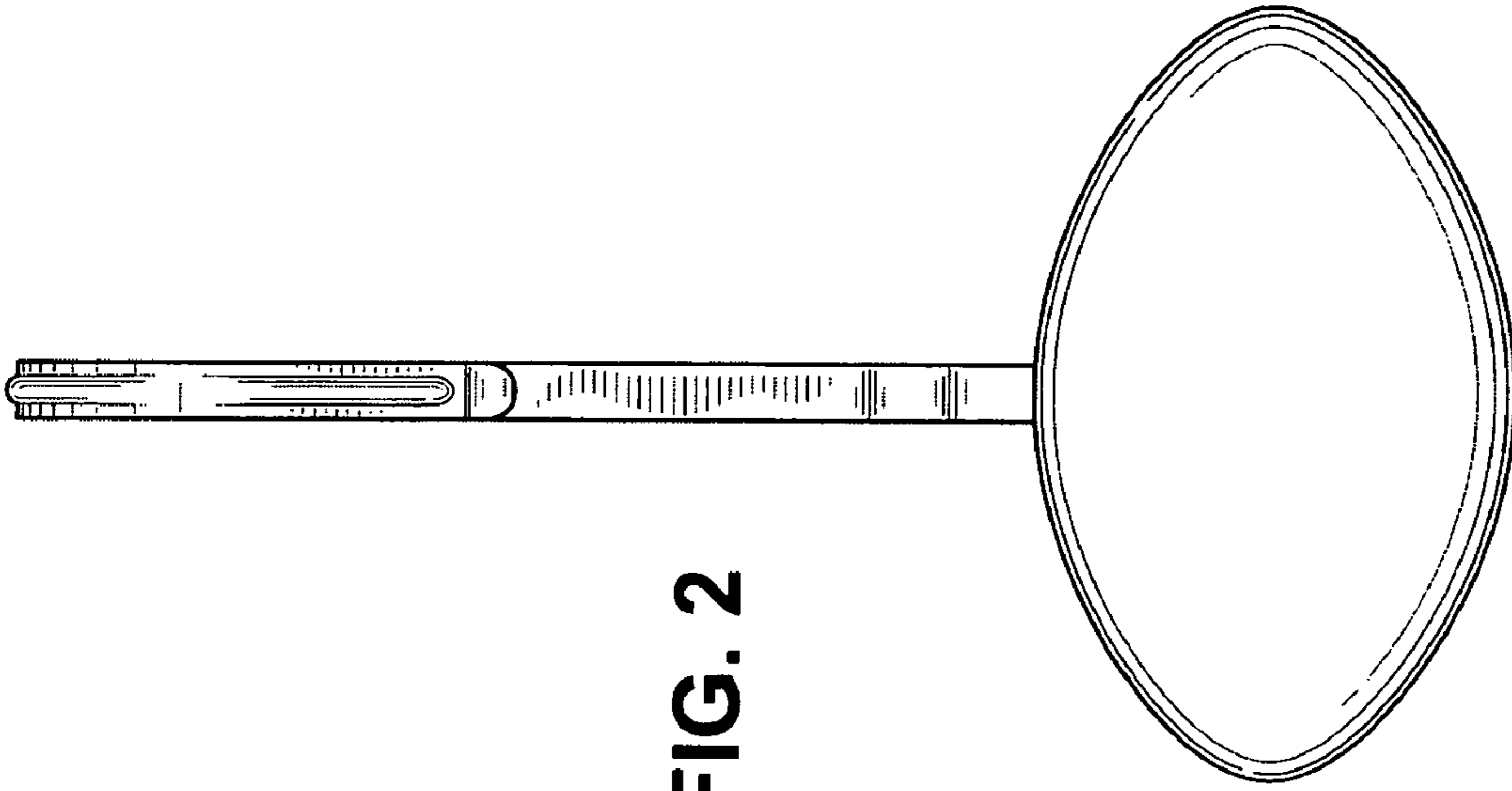


FIG. 2

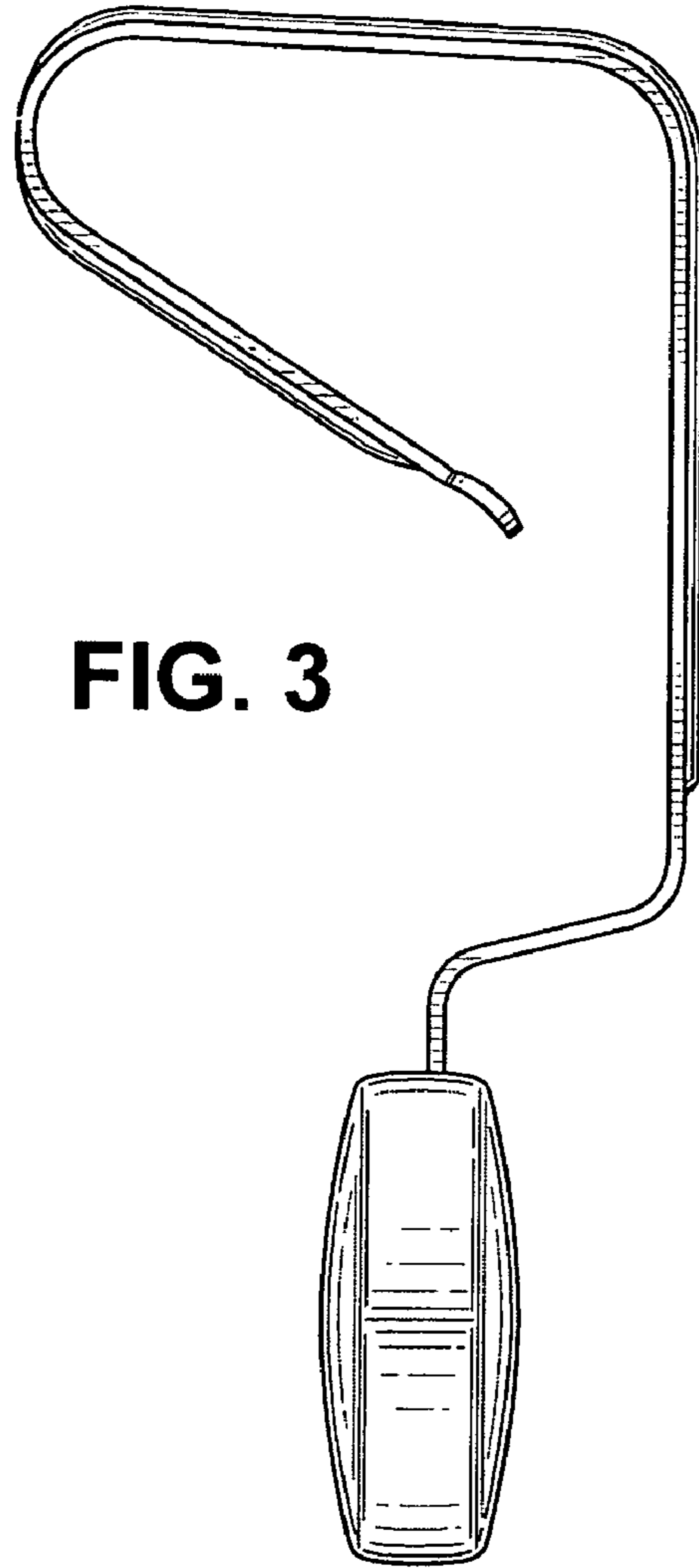


FIG. 3

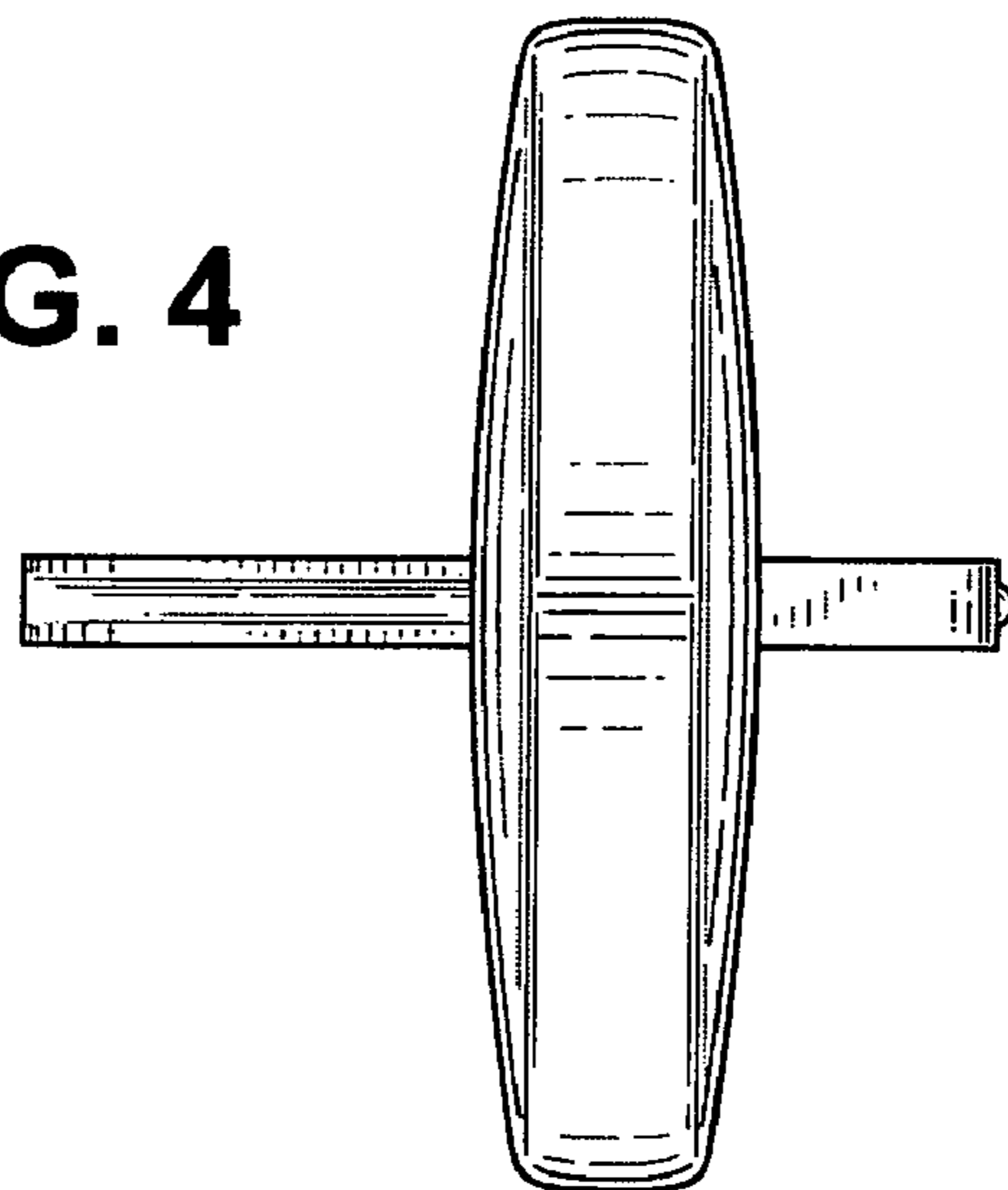


FIG. 4

FIG. 5

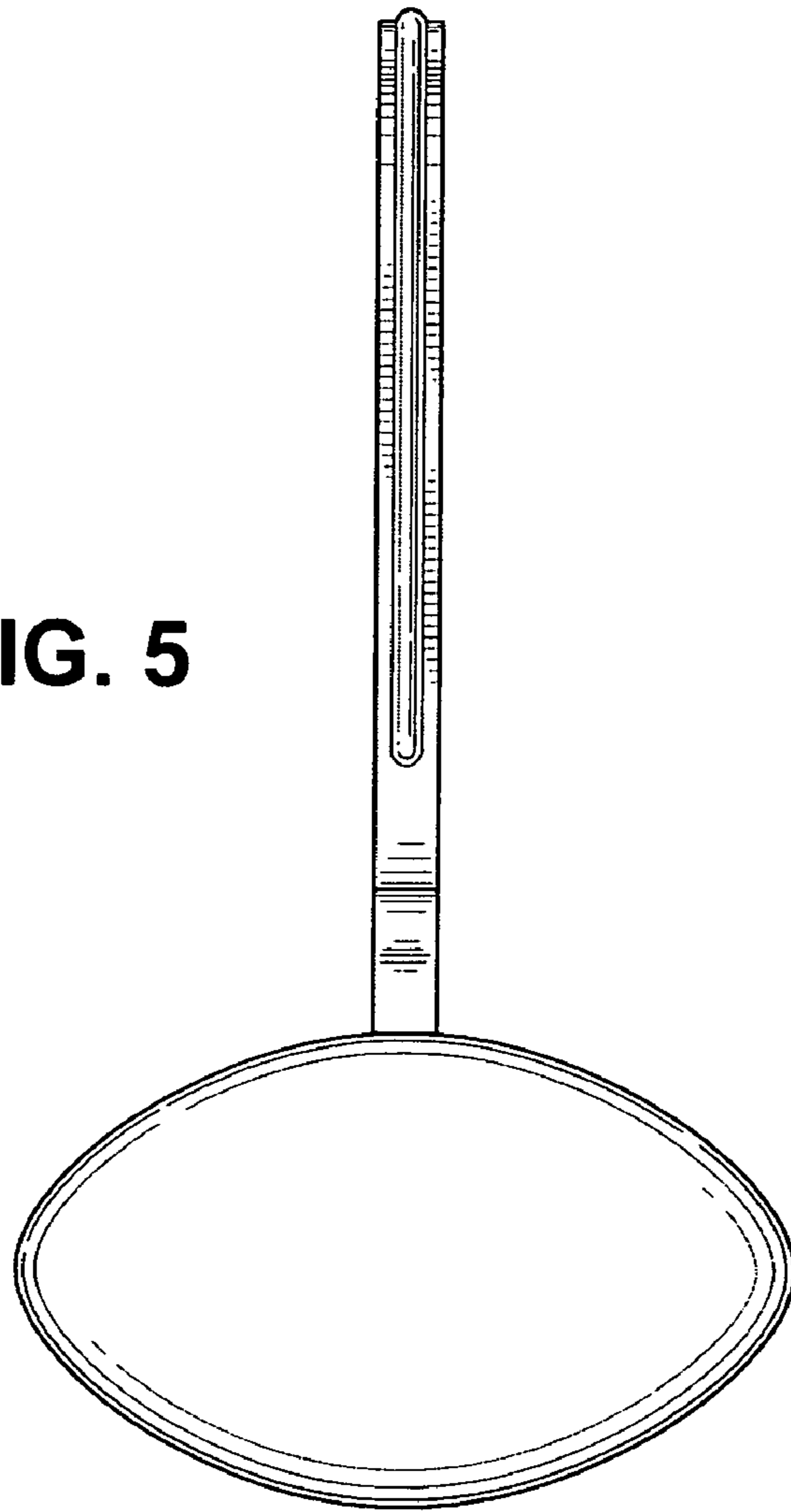


FIG. 6

