

US00D548300S

(12) **United States Design Patent**
Brown

(10) **Patent No.:** **US D548,300 S**

(45) **Date of Patent:** **** Aug. 7, 2007**

(54) **SKATE BLADE COVER**

(76) Inventor: **Michael C. Brown**, 1625 Deercroft Ct.,
Greensboro, NC (US) 27407

(**) Term: **14 Years**

(21) Appl. No.: **29/260,341**

(22) Filed: **May 23, 2006**

(51) **LOC (8) Cl.** **07-02**

(52) **U.S. Cl.** **D21/772**

(58) **Field of Classification Search** D21/760,
D21/761, 762, 771, 772, 776; 280/809, 811,
280/825, 11.18, 11.1

See application file for complete search history.

(56) **References Cited**

U.S. PATENT DOCUMENTS

1,544,770	A *	7/1925	Nathan	280/825
1,554,434	A *	9/1925	Johnson	280/825
1,725,821	A	8/1929	Nathan	280/825
2,181,779	A *	11/1939	Barnard	280/825
2,181,834	A *	11/1939	Pierce et al.	280/825
D189,923	S *	3/1961	Swett	D21/772
D249,175	S *	8/1978	Fardigs	D21/772
D258,604	S	3/1981	Sholl	D21/772
D260,026	S *	7/1981	Rosen	D21/772
4,365,828	A	12/1982	Hall	280/825
D274,743	S	7/1984	Shewchuck	D21/772
4,546,999	A	10/1985	Lehr	280/825
5,290,065	A *	3/1994	Kassal	280/825

D400,946	S *	11/1998	St. Amand et al.	D21/761
5,848,808	A *	12/1998	Fenton	280/825
D459,778	S *	7/2002	Gronborg	D21/772
6,666,479	B1	12/2003	Maddaleni	280/825

OTHER PUBLICATIONS

Print out of web page showing Skate Mate (undated): *Admitted Prior Art.*

* cited by examiner

Primary Examiner—Holly H. Baynham

Assistant Examiner—Cynthia M. Chin

(57) **CLAIM**

The ornamental design for a skate blade cover, as shown and described.

DESCRIPTION

FIG. 1 is a top, rear, left side perspective view of a skate blade cover embodying my design;

FIG. 2 is a left side elevational view thereof, on a skate blade seen in dotted lines, the skate shoe and blade form no part of the claimed design;

FIG. 3 is a right side elevational view thereof;

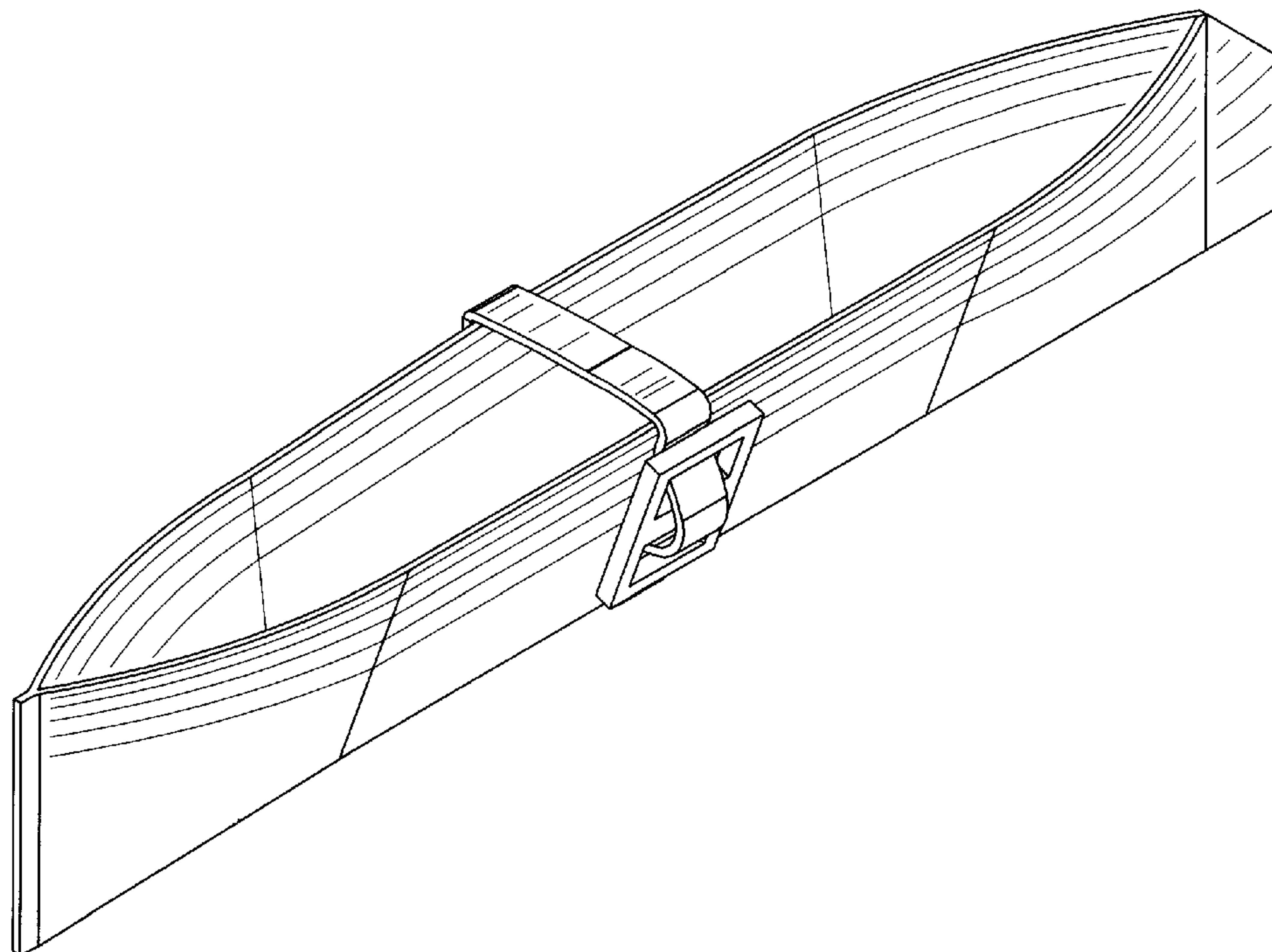
FIG. 4 is a top plan view thereof;

FIG. 5 is a bottom plan view thereof;

FIG. 6 is a front elevational view thereof; and,

FIG. 7 is a rear elevational view thereof.

1 Claim, 4 Drawing Sheets



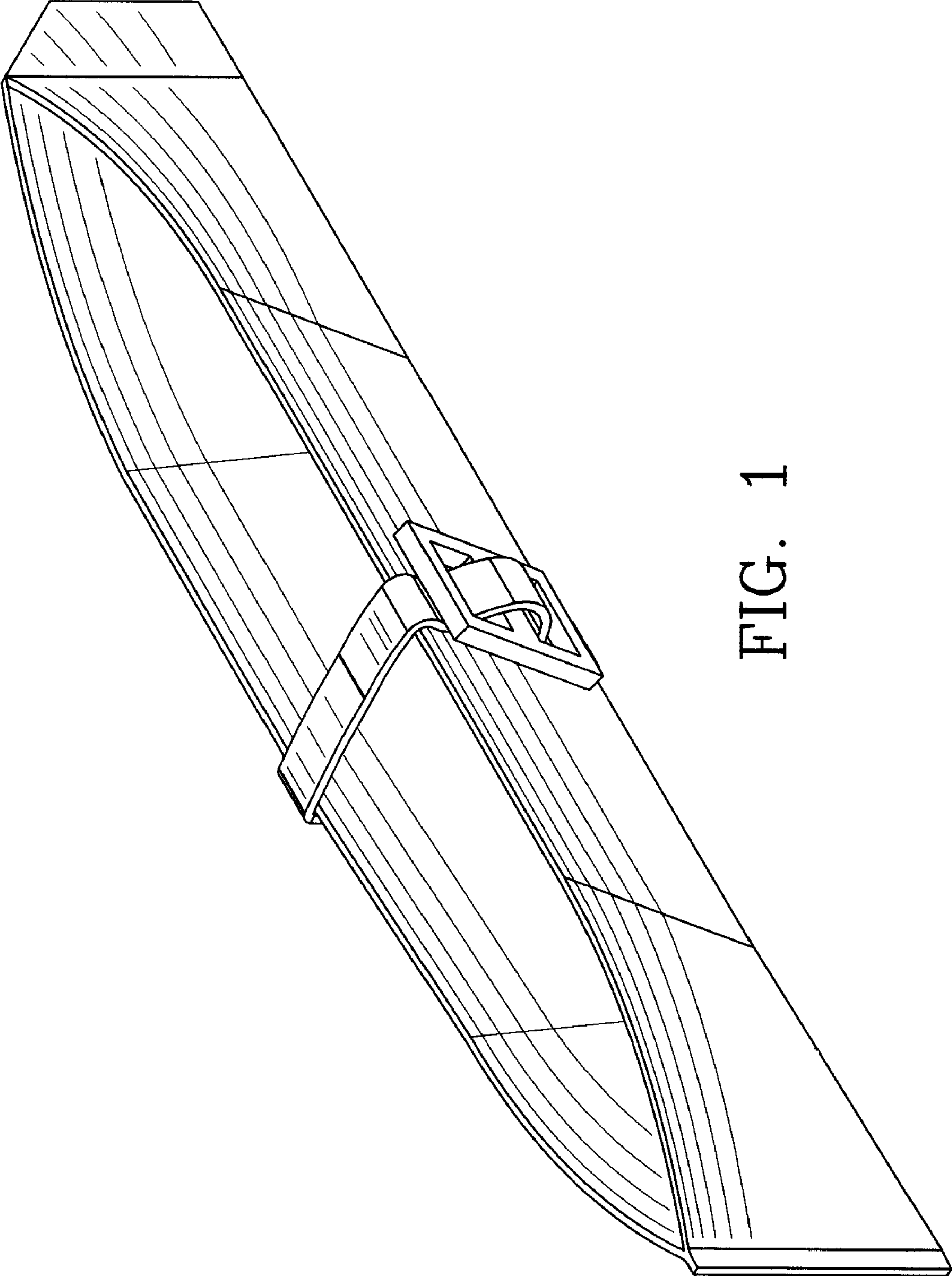


FIG. 1

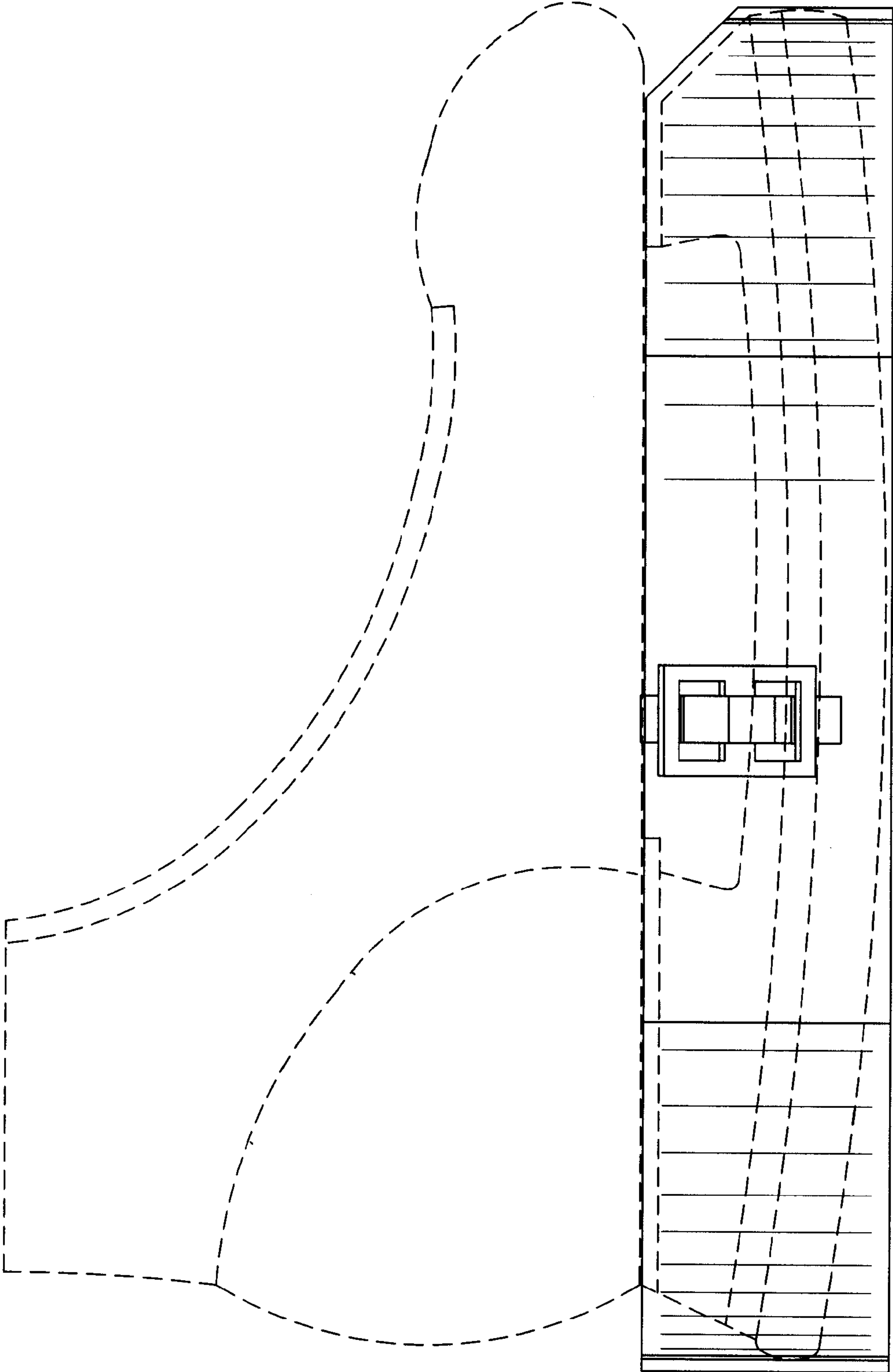


FIG. 2

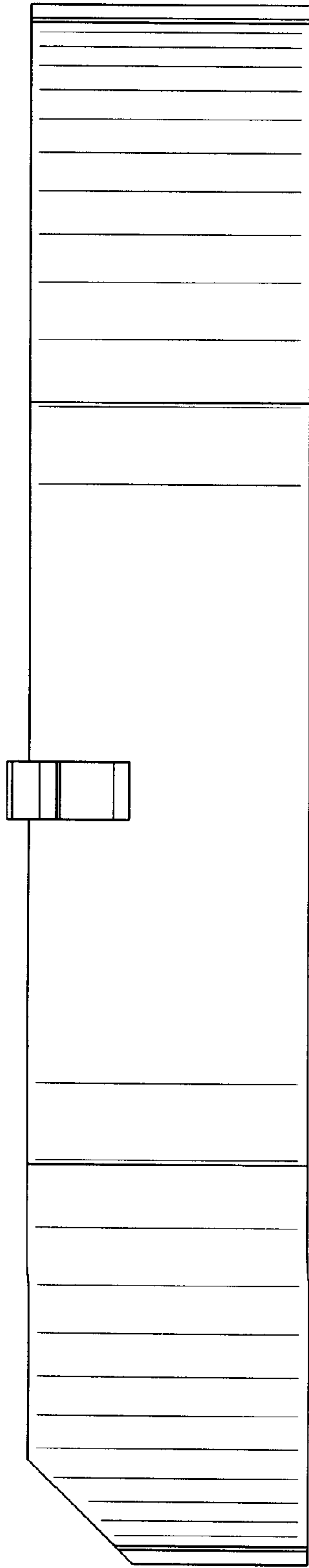


FIG. 3

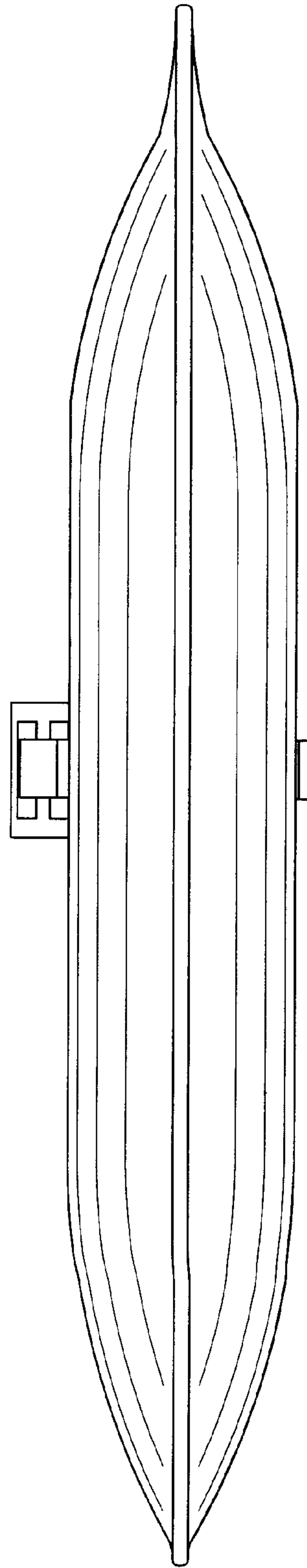


FIG. 5

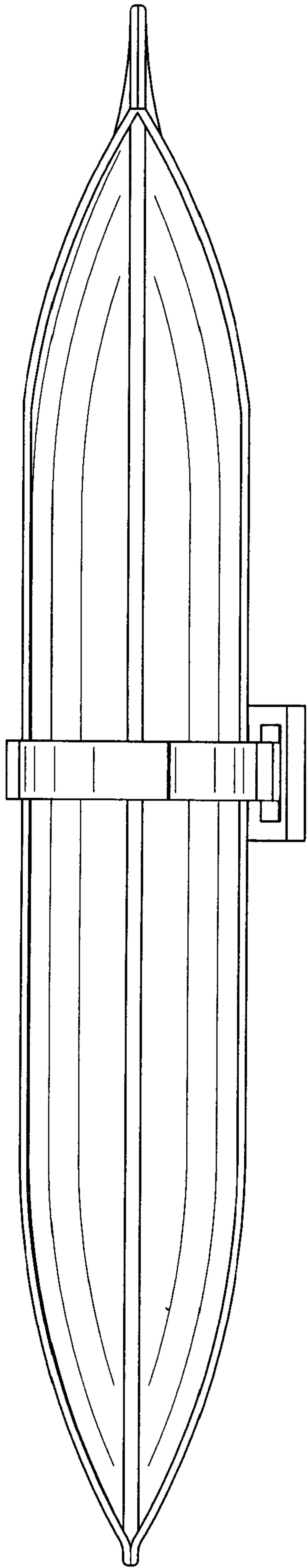


FIG. 4

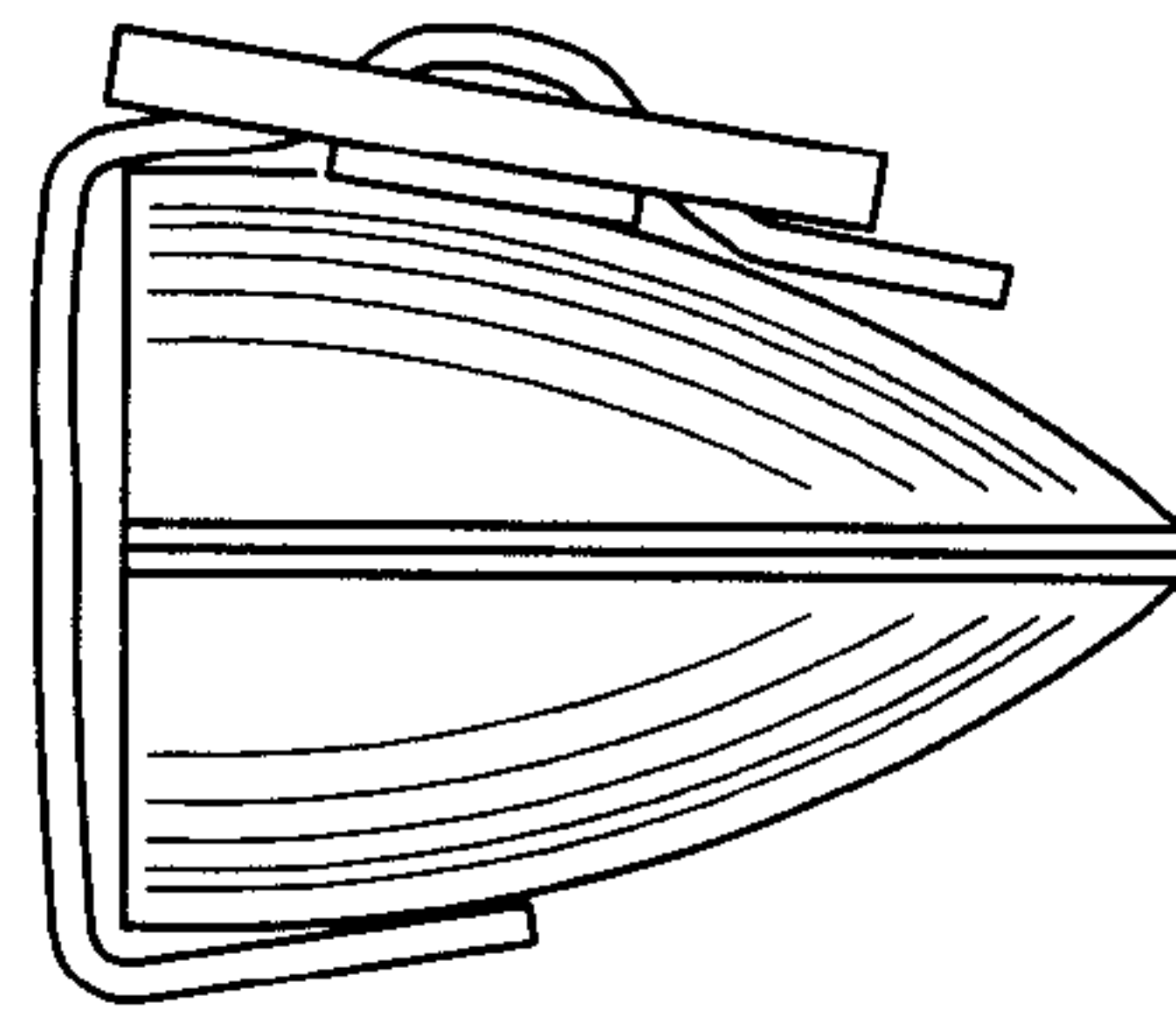


FIG. 7

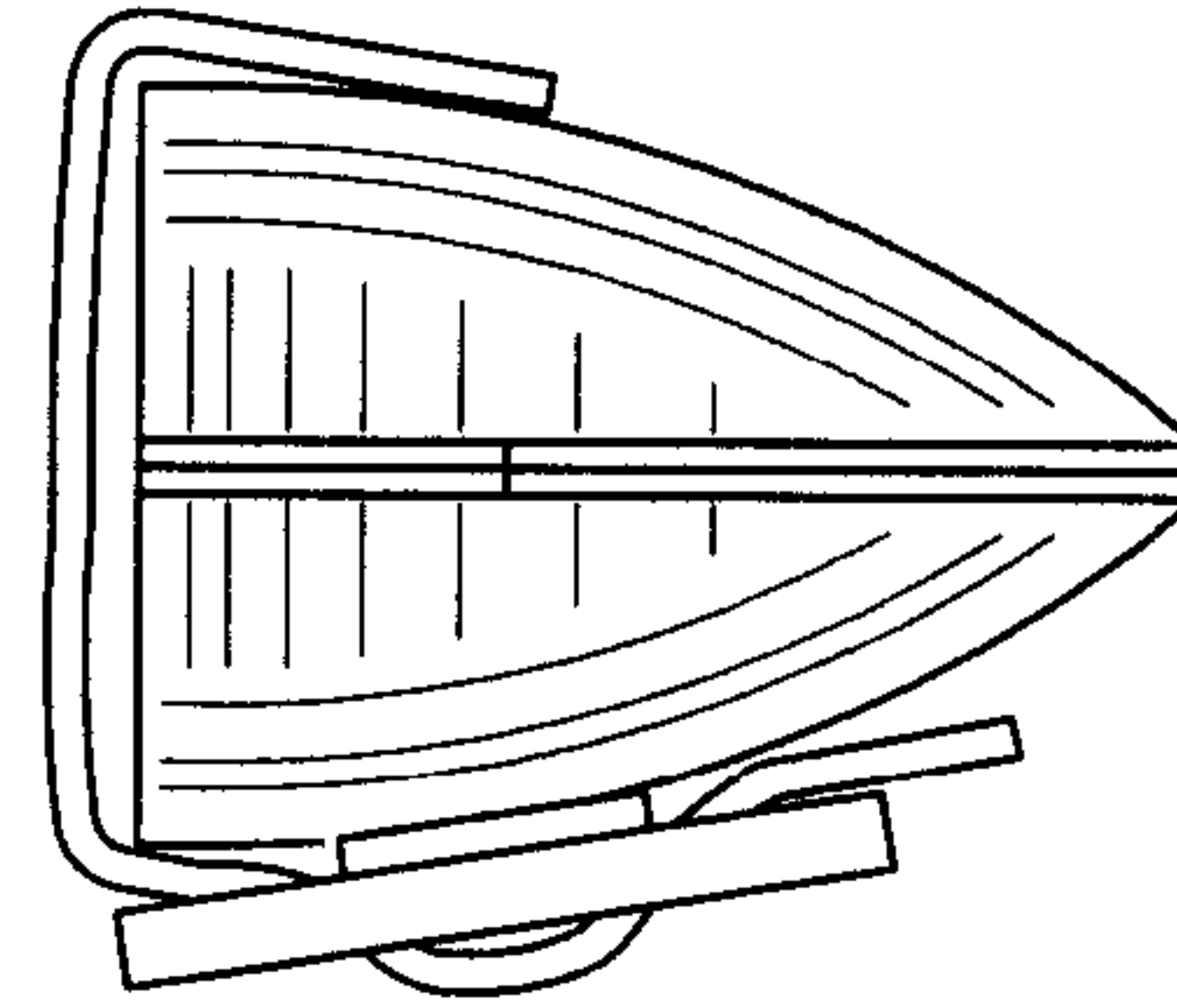


FIG. 6