

US00D548299S

(12) **United States Design Patent** (10) **Patent No.:** **US D548,299 S**
Nguyen et al. (45) **Date of Patent:** **** Aug. 7, 2007**

(54) **GOLF CLUB HEAD FACE**
(75) Inventors: **Vinh-Duy Thai Nguyen**, Lake Forest, CA (US); **Atsuo Tateno**, Shinagawa-ku (JP)
(73) Assignee: **Bridgestone Sports Co., Ltd.**, Tokyo (JP)
(**) Term: **14 Years**

D439,295 S 3/2001 Sizemore, Jr.
D444,835 S * 7/2001 Wahl et al. D21/759
D465,002 S * 10/2002 Long D21/759
D466,171 S 11/2002 Bradshaw
D478,142 S 8/2003 Toulon et al.
D490,487 S * 5/2004 Burrows D21/733
D502,235 S 2/2005 Burrows
D503,762 S * 4/2005 Wood D21/759
D533,613 S * 12/2006 Byrne et al. D21/759
D533,913 S * 12/2006 Byrne et al. D21/759

(21) Appl. No.: **29/247,150**
(22) Filed: **Jun. 1, 2006**

FOREIGN PATENT DOCUMENTS

JP 1084113 9/2000

* cited by examiner

(51) **LOC (8) Cl.** **21-02**
(52) **U.S. Cl.** **D21/759**
(58) **Field of Classification Search** D21/736-746,
D21/759, 733, 752; 473/324-331, 340, 341,
473/251-256

Primary Examiner—Mitchell Siegel
(74) *Attorney, Agent, or Firm*—Paul, Hastings, Janofsky & Walker LLP

See application file for complete search history.

(57) **CLAIM**

The ornamental design for a golf club head face, as shown and described.

(56) **References Cited**

U.S. PATENT DOCUMENTS

D97,418 S * 11/1935 Smith D21/733
D207,227 S 3/1967 Solheim
D239,951 S 5/1976 Carrier
D288,952 S * 3/1987 Schmidt et al. D21/759
D353,176 S * 12/1994 Poggi D21/733
D385,935 S * 11/1997 Cameron D21/759
D389,207 S 1/1998 Cameron
D394,689 S 5/1998 Sheets
D396,081 S 7/1998 Sheets
D396,258 S 7/1998 Sheets
D399,899 S 10/1998 Sizemore, Jr.
D400,944 S 11/1998 Atonious

DESCRIPTION

FIG. 1 is a front elevational view of a first embodiment of the golf club head face;

FIG. 2 is a front elevational view of a second embodiment of the golf club head face; and,

FIG. 3 is a front elevational view of a third embodiment of the golf club head face.

The broken line showing is included for the purpose of illustrating and forms no part of the claimed design.

1 Claim, 3 Drawing Sheets

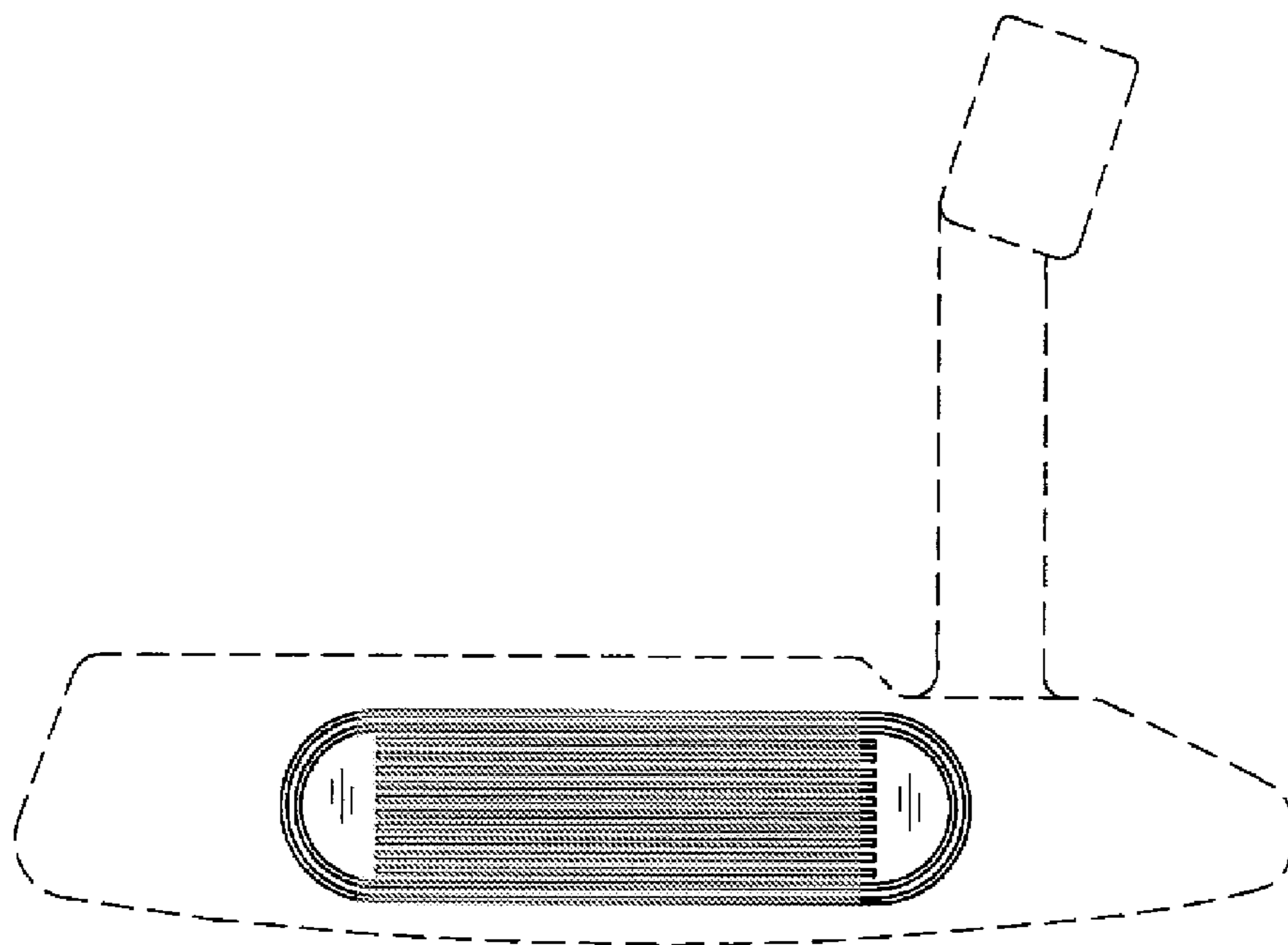


FIG. 1

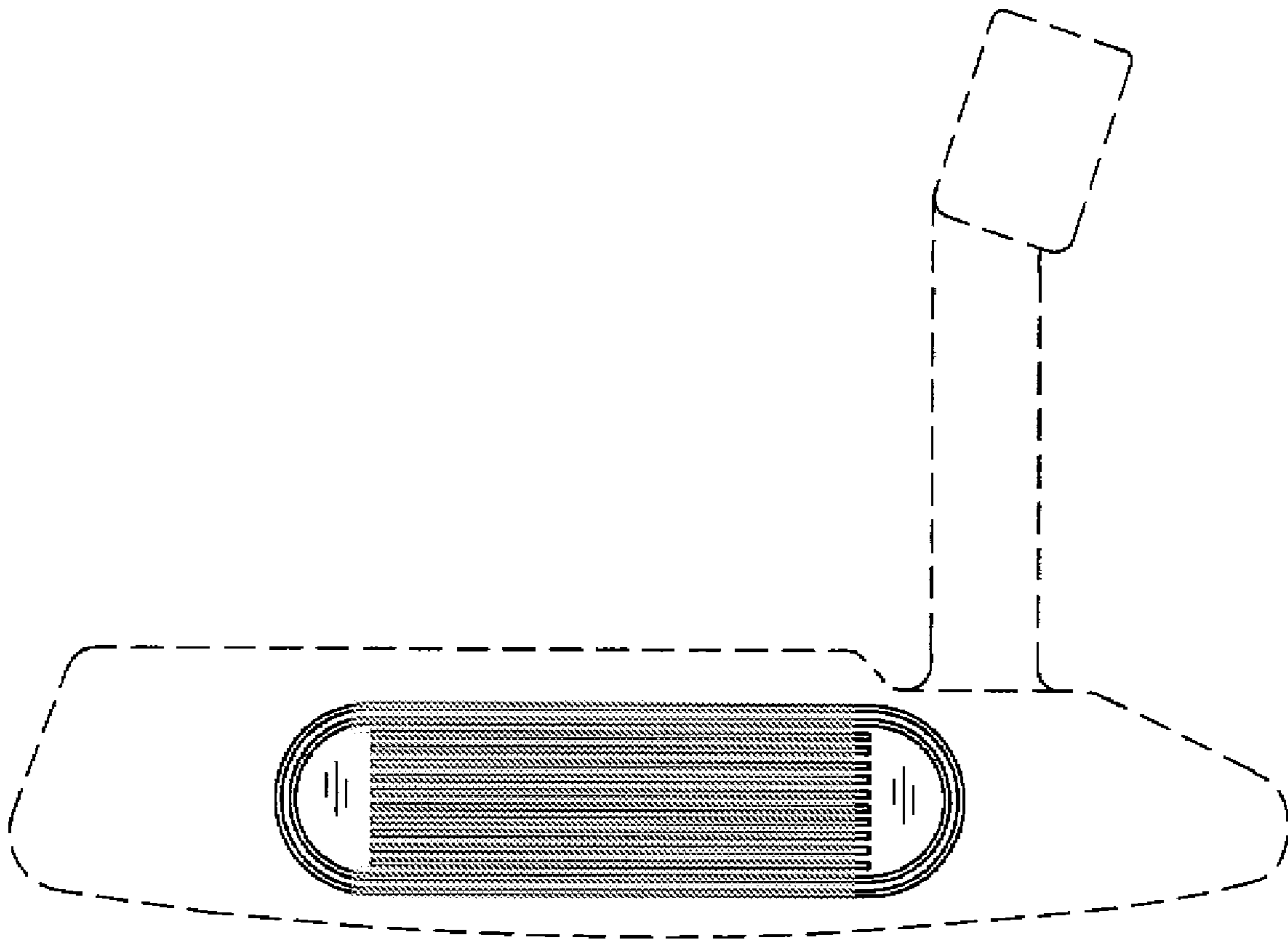


FIG. 2

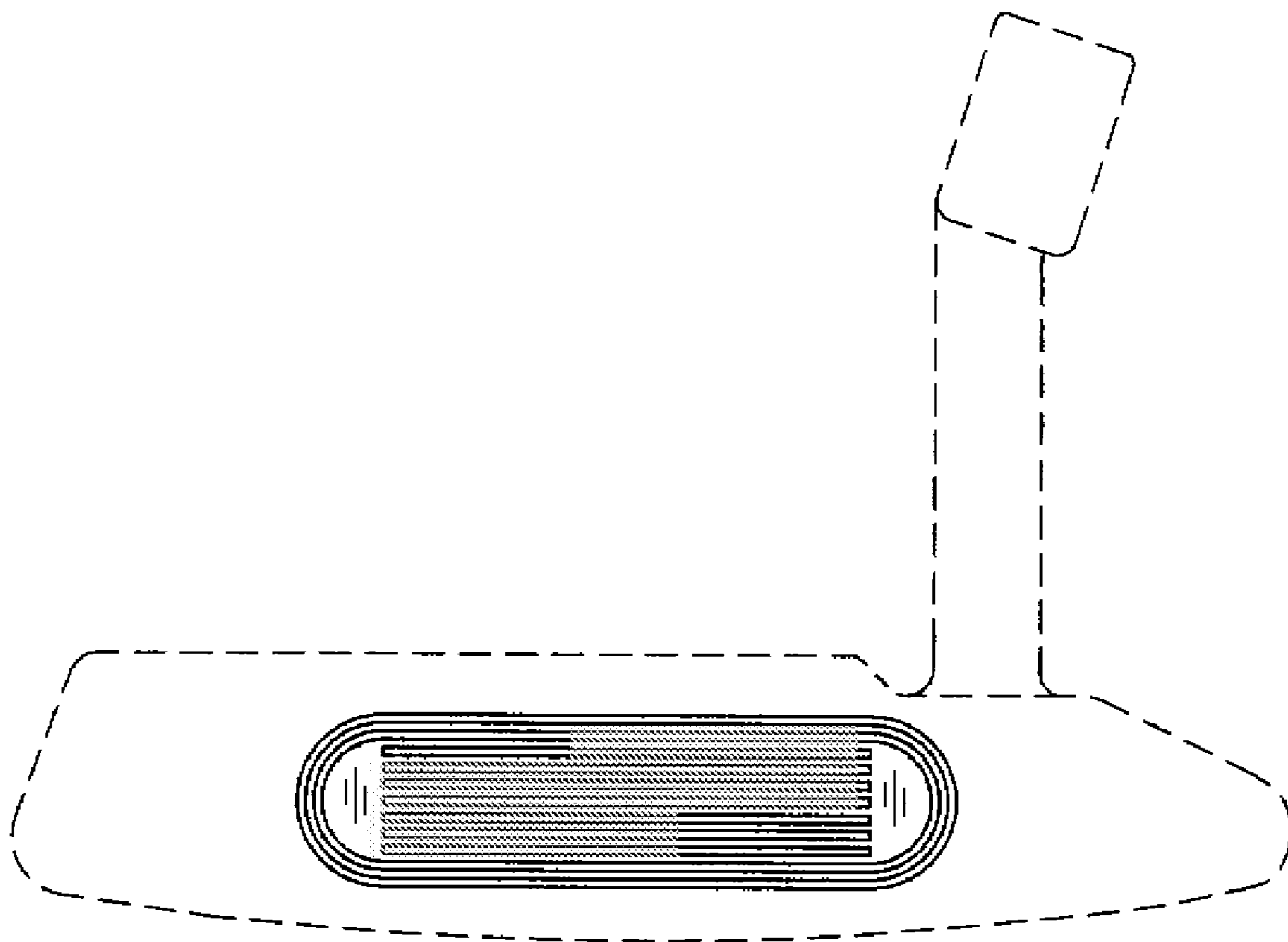


FIG. 3

