

US00D548296S

(12) **United States Design Patent**
Rollinson

(10) **Patent No.:** **US D548,296 S**

(45) **Date of Patent:** **** Aug. 7, 2007**

(54) **PUTTER HEAD**

D523,915 S * 6/2006 Bergstrom D21/742
D538,865 S * 3/2007 Cameron D21/736

(75) Inventor: **Augustin W. Rollinson**, San Diego, CA (US)

* cited by examiner

(73) Assignee: **Callaway Golf Company**, Carlsbad, CA (US)

Primary Examiner—Mitchell Siegel

(74) *Attorney, Agent, or Firm*—Michael A. Catania; Elaine H. Lo

(**) Term: **14 Years**

(57) **CLAIM**

(21) Appl. No.: **29/249,242**

The ornamental design for a putter head, as shown and described.

(22) Filed: **Sep. 28, 2006**

(51) **LOC (8) Cl.** **21-02**

(52) **U.S. Cl.** **D21/744**

(58) **Field of Classification Search** D21/736–746;
473/324–331, 340–341, 251–256

See application file for complete search history.

DESCRIPTION

FIG. 1 is a top perspective view;

FIG. 2 is a front view thereof;

FIG. 3 is a top plan view thereof;

FIG. 4 is a toe side view thereof;

FIG. 5 is a rear view thereof;

FIG. 6 is a bottom plan view thereof; and,

FIG. 7 is a heel side view thereof.

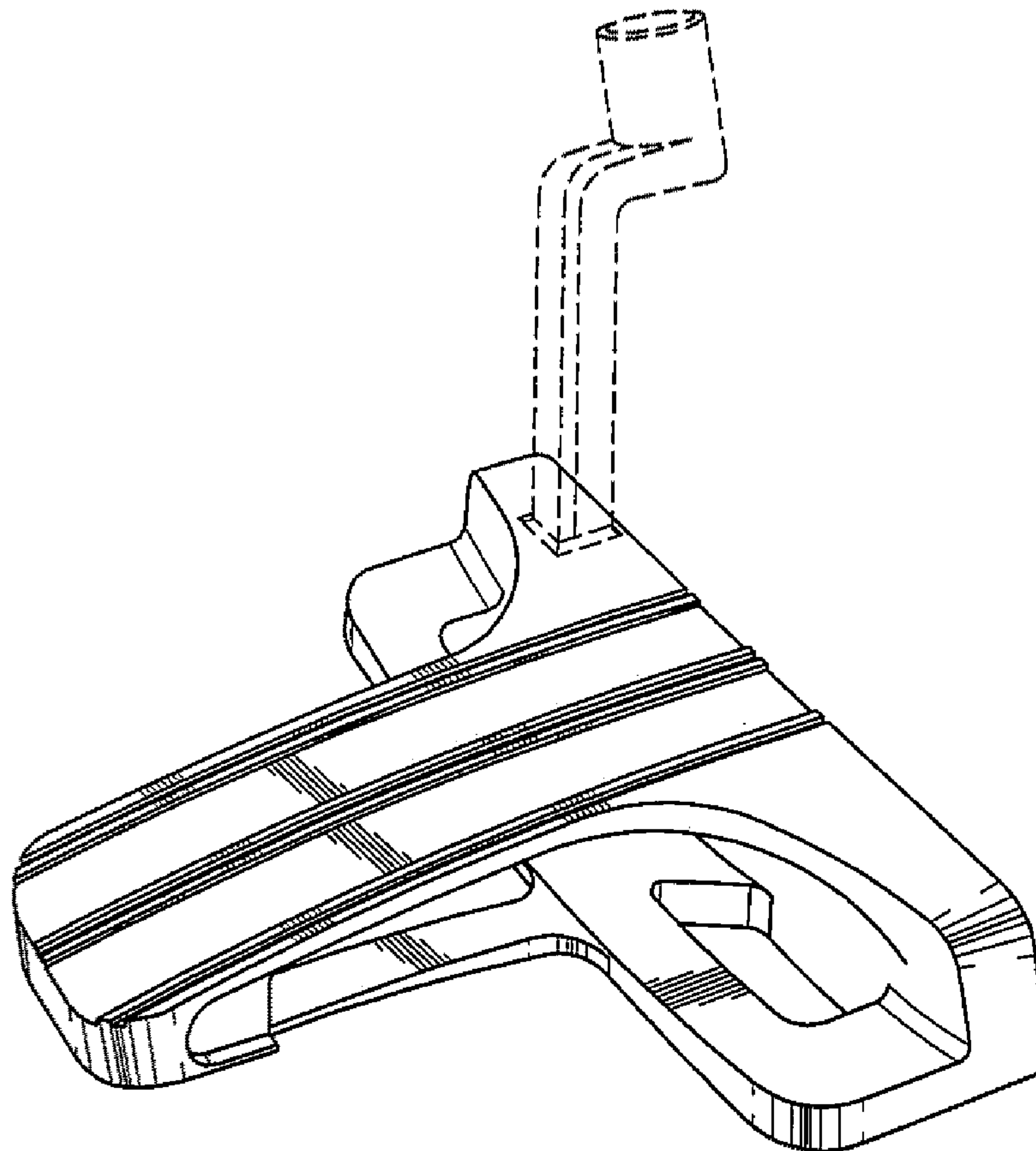
The broken line showing is for illustrative purposes only and forms no part of the claimed design.

(56) **References Cited**

U.S. PATENT DOCUMENTS

D472,594 S *	4/2003	Tang et al.	D21/735
D472,595 S *	4/2003	Tang et al.	D21/735
D483,824 S *	12/2003	Tang et al.	D21/738
6,793,588 B2 *	9/2004	Tang et al.	473/242
D497,402 S *	10/2004	Moore	D21/736

1 Claim, 2 Drawing Sheets



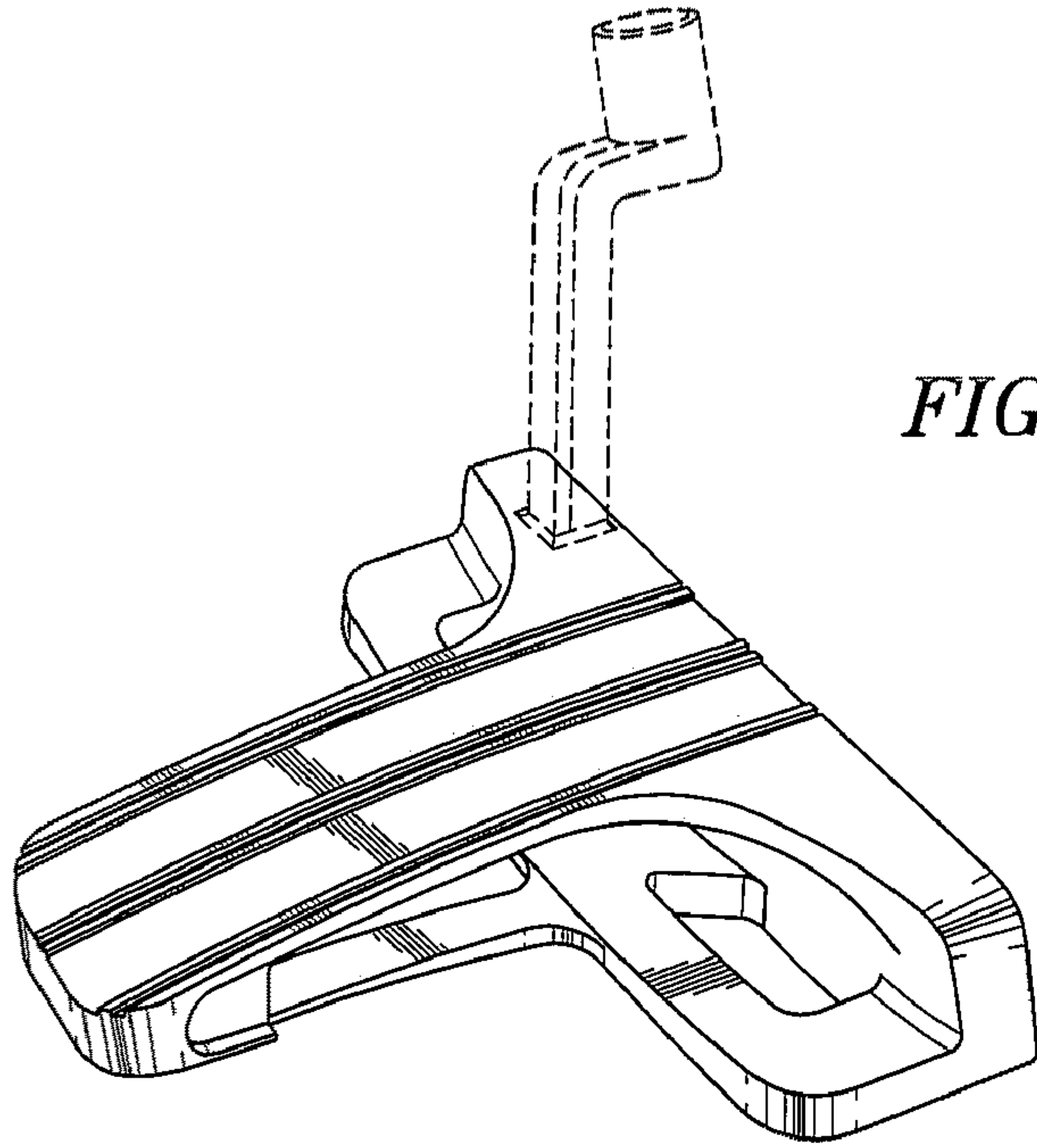


FIG. 1

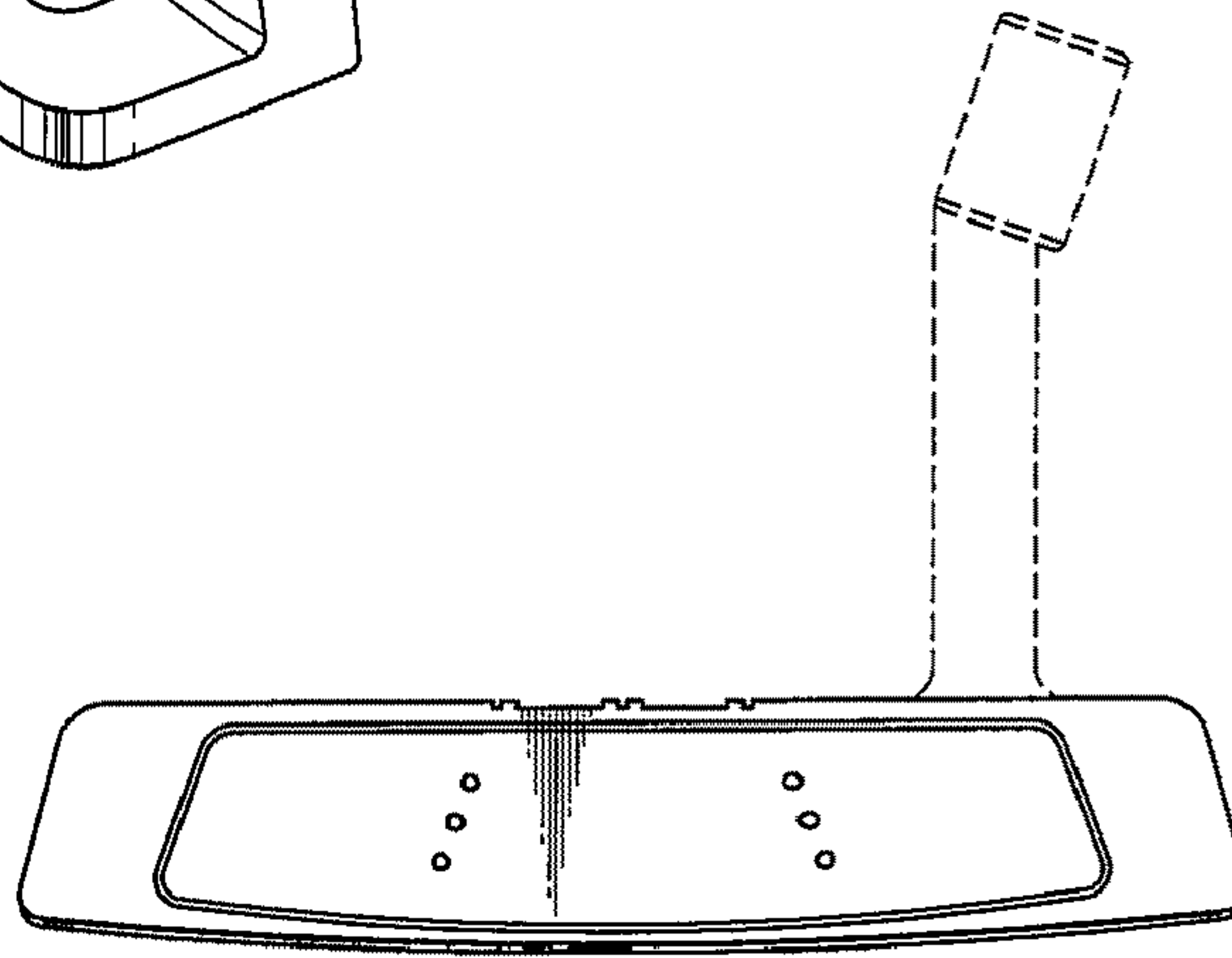


FIG. 2

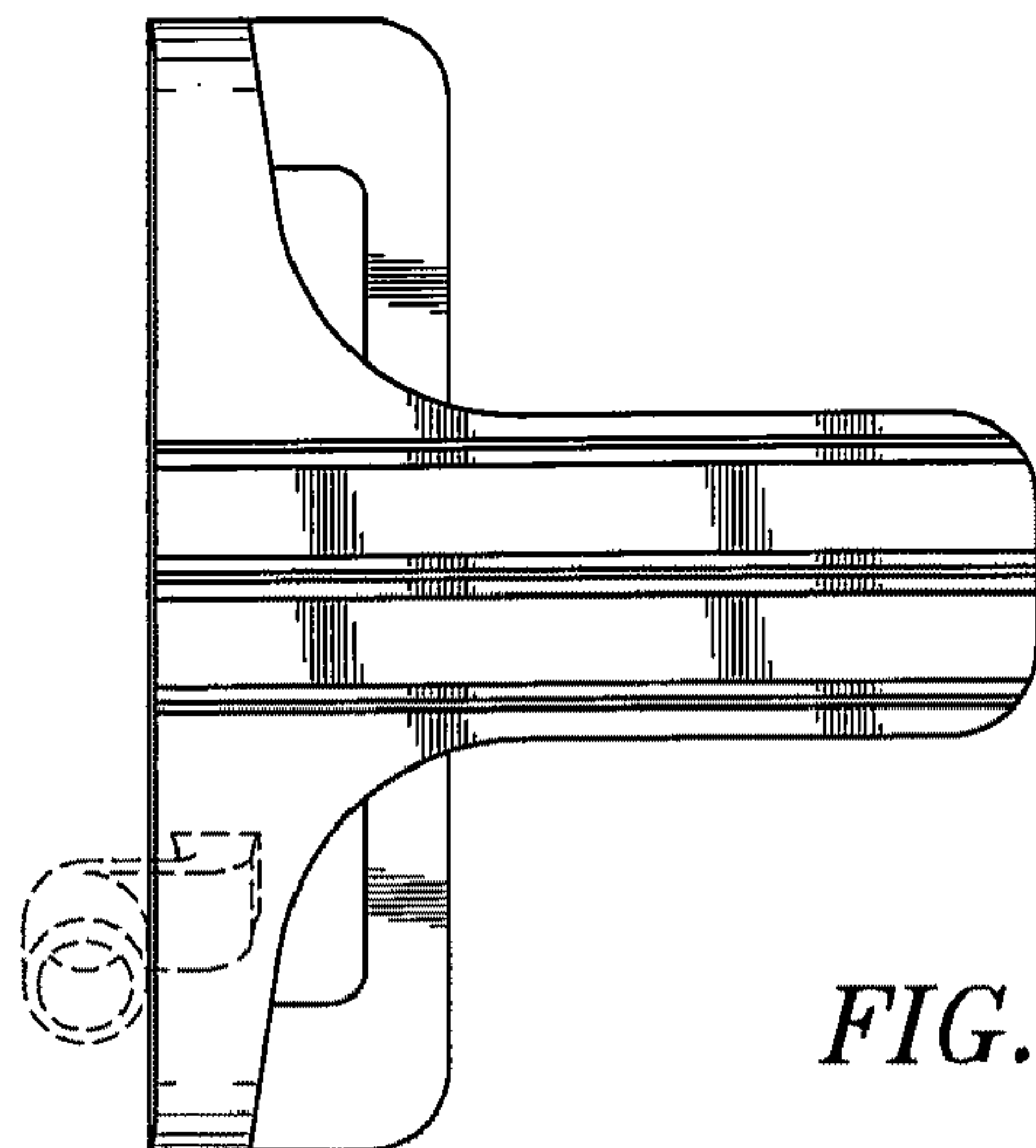


FIG. 3

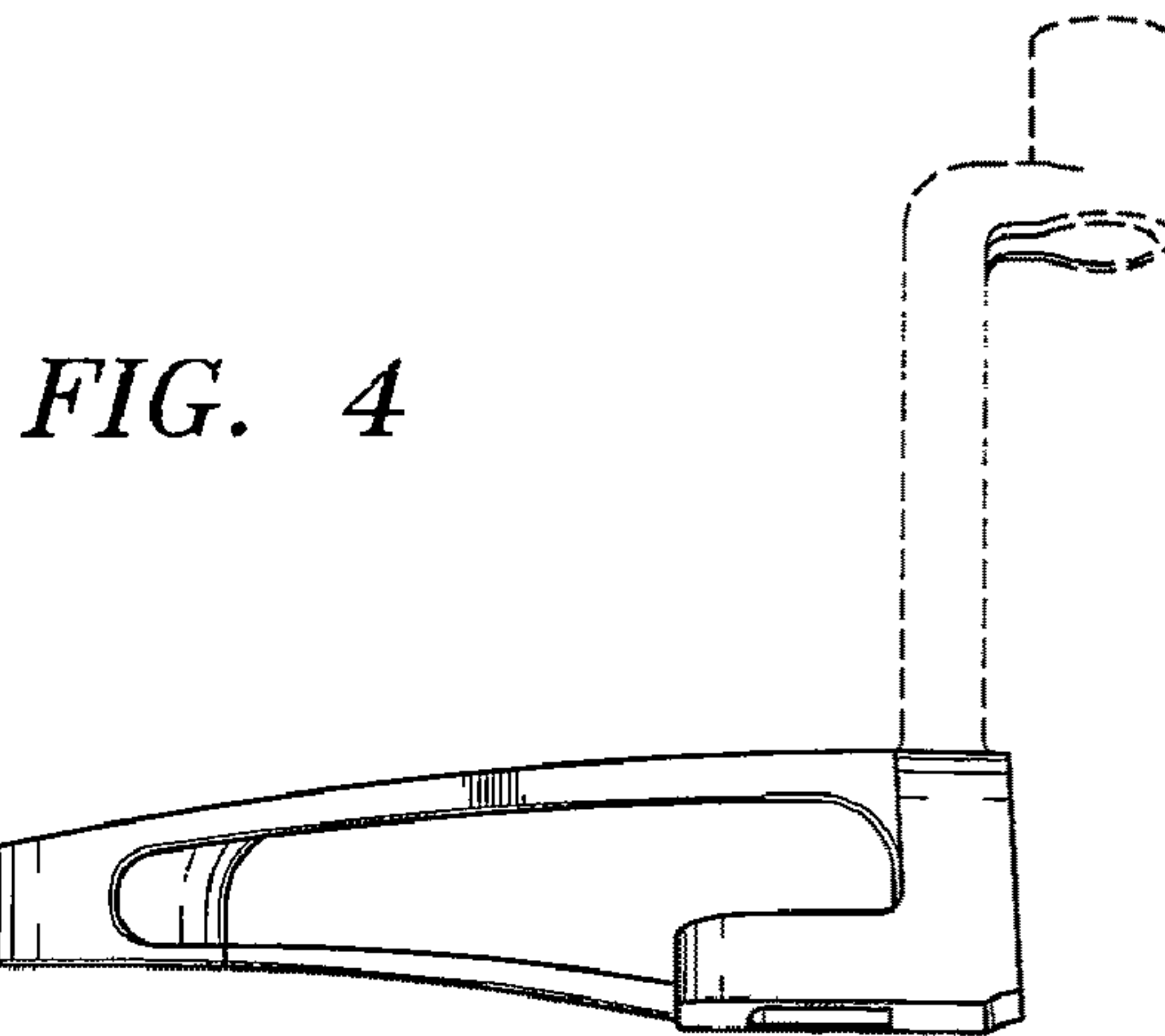


FIG. 4

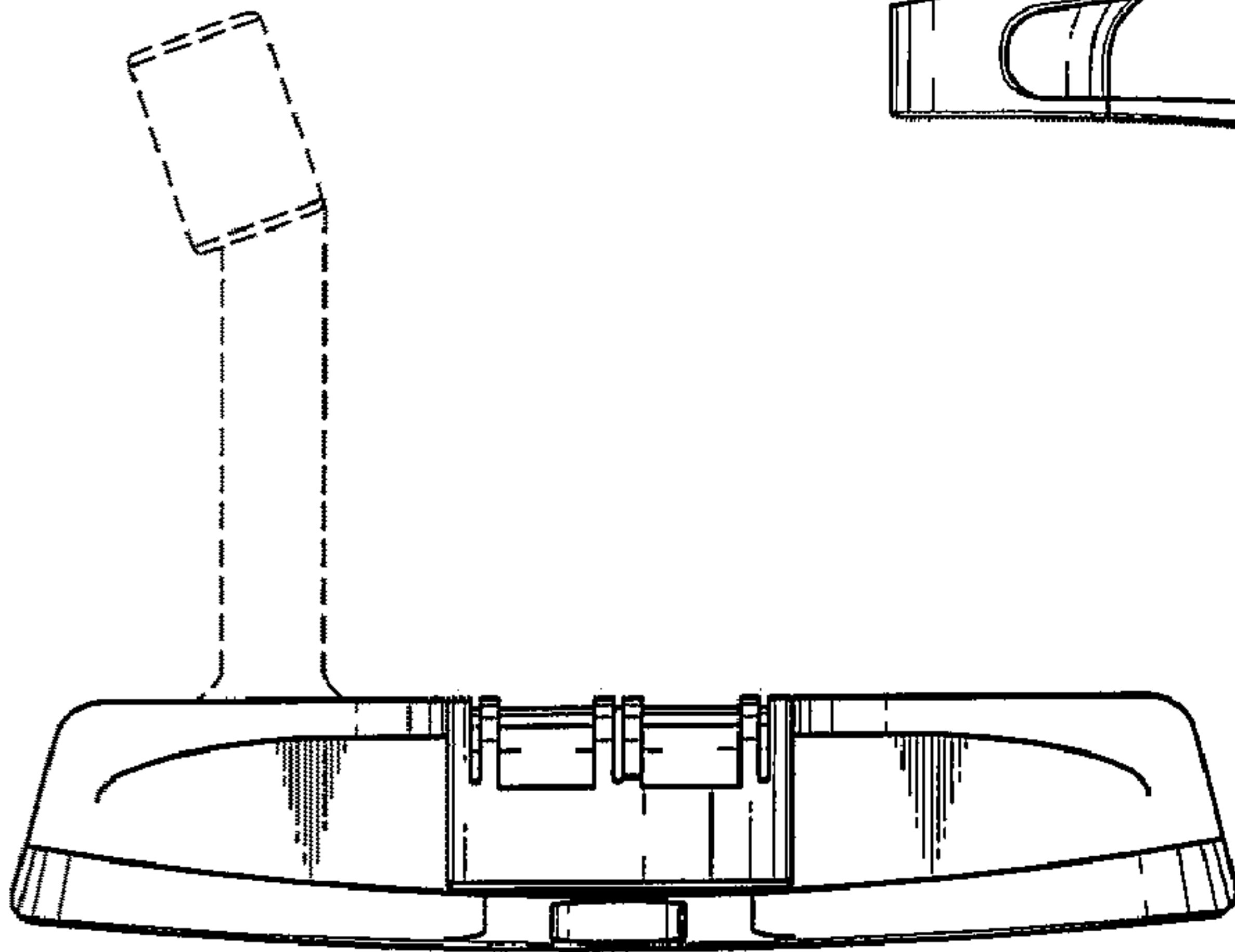


FIG. 5

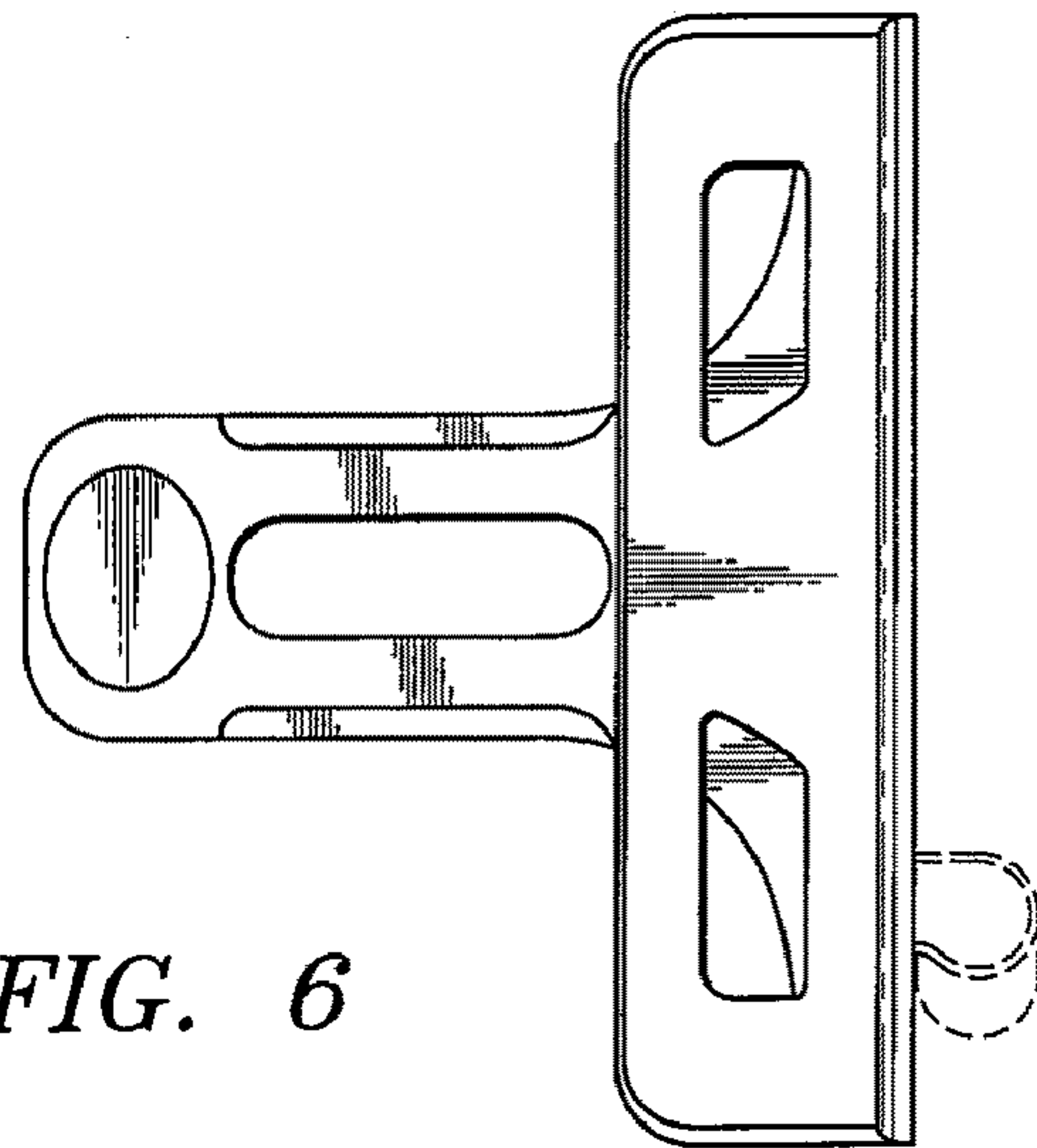


FIG. 6

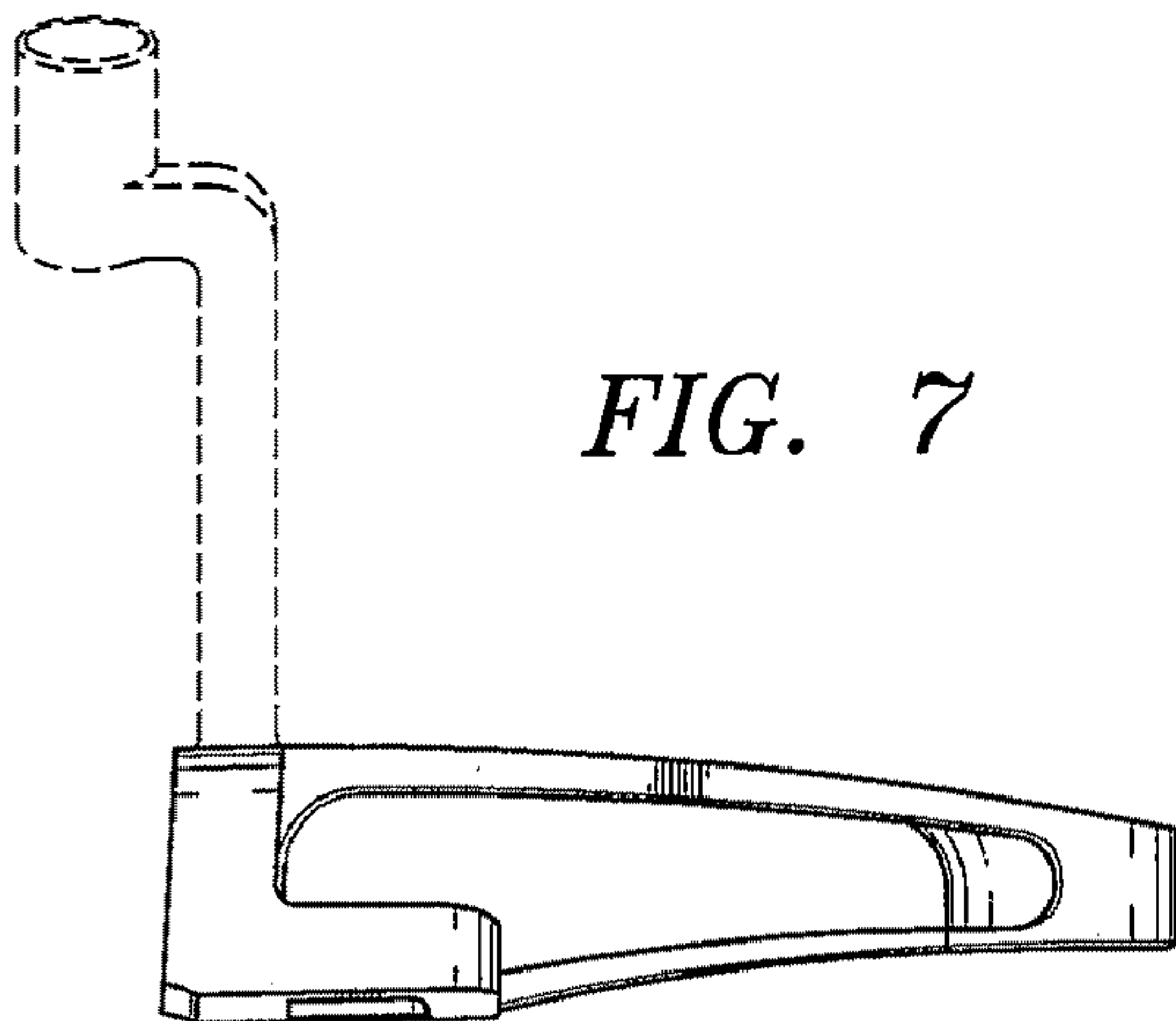


FIG. 7