

US00D548293S

(12) **United States Design Patent**
Cleveland et al.

(10) **Patent No.:** **US D548,293 S**

(45) **Date of Patent:** **** Aug. 7, 2007**

(54) **PUTTER HEAD**

(75) Inventors: **Roger Cleveland**, Los Angeles, CA
(US); **Ronald K. Hettinger**, Oceanside,
CA (US)

(73) Assignee: **Callaway Golf Company**, Carlsbad,
CA (US)

(**) Term: **14 Years**

(21) Appl. No.: **29/246,905**

(22) Filed: **May 19, 2006**

(51) **LOC (8) Cl.** **21-02**

(52) **U.S. Cl.** **D21/736**

(58) **Field of Classification Search** D21/736-746;
473/324-331, 340, 341, 251-256
See application file for complete search history.

(56) **References Cited**

U.S. PATENT DOCUMENTS

D190,285 S *	5/1961	Bukovey	D21/738
D191,212 S *	8/1961	Hyde	D21/738
D195,135 S *	4/1963	Green, Jr.	D21/738
3,269,733 A *	8/1966	Taddie et al.	473/258
3,384,376 A *	5/1968	Greenlee	473/236

D219,788 S *	1/1971	Leone	D21/738
D293,927 S *	1/1988	Antonious	D21/738
D398,351 S *	9/1998	Sheets et al.	D21/736
D450,799 S *	11/2001	Nicolette et al.	D21/736

* cited by examiner

Primary Examiner—Mitchell Siegel

(74) *Attorney, Agent, or Firm*—Michael A. Catania; Elaine
H. Lo

(57) **CLAIM**

The ornamental design of a putter head, as shown and
described.

DESCRIPTION

FIG. 1 is a front perspective view thereof; and
FIG. 2 is a front view thereof; and
FIG. 3 is a top view thereof; and
FIG. 4 is a bottom perspective view thereof; and
FIG. 5 is a bottom view thereof.
FIG. 6 is a heel view thereof; and,
FIG. 7 is a toe view thereof.

1 Claim, 2 Drawing Sheets

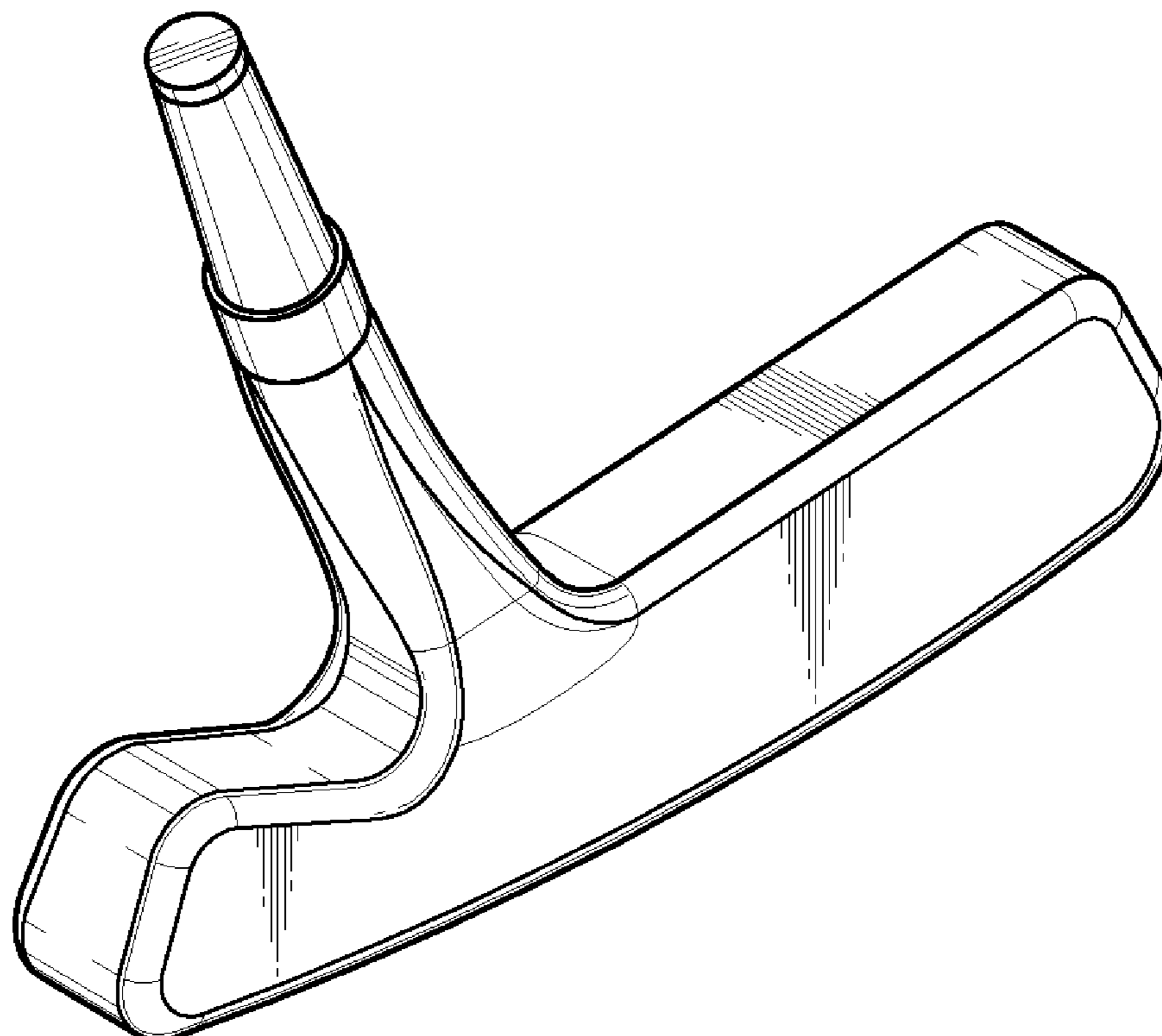


FIG. 1

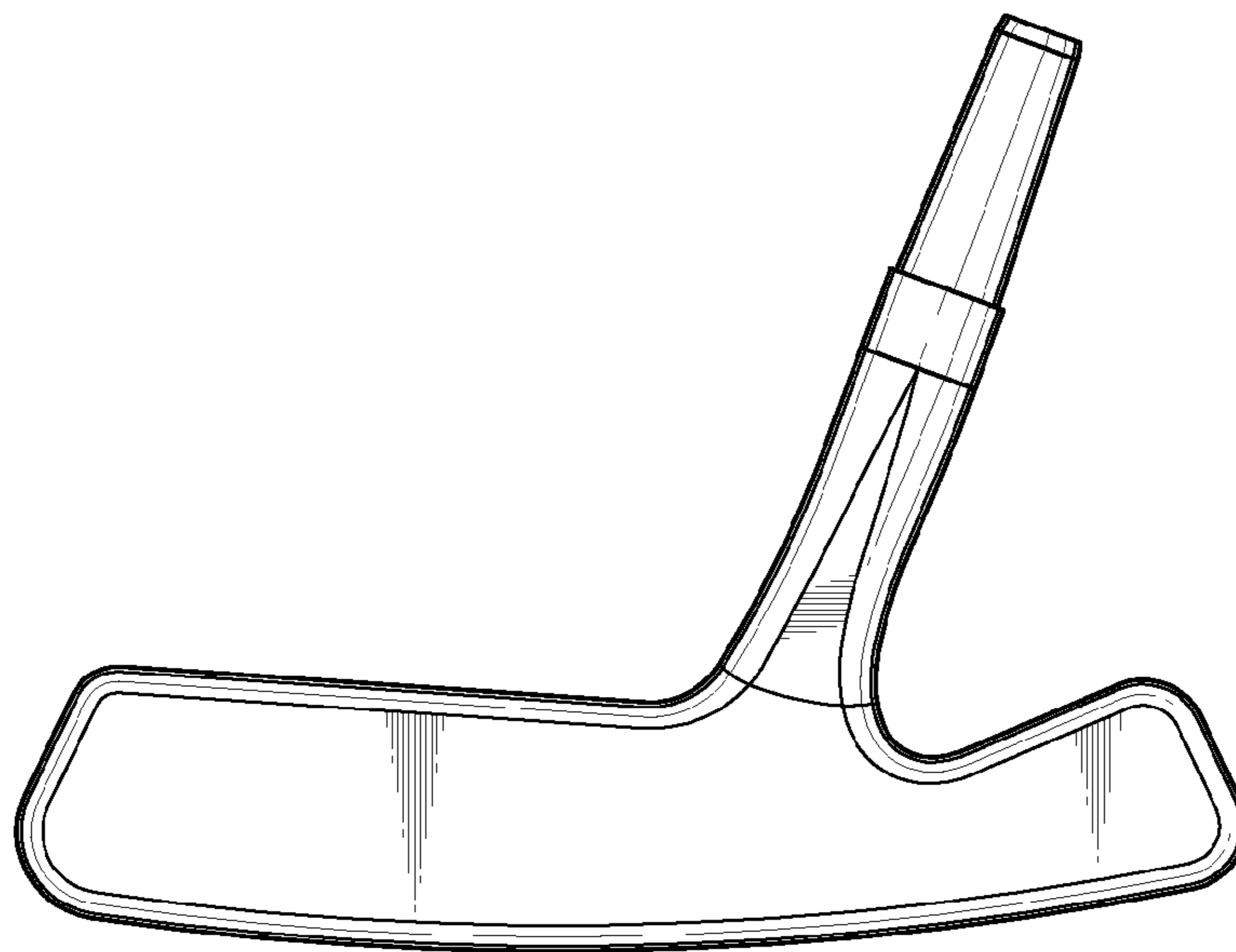
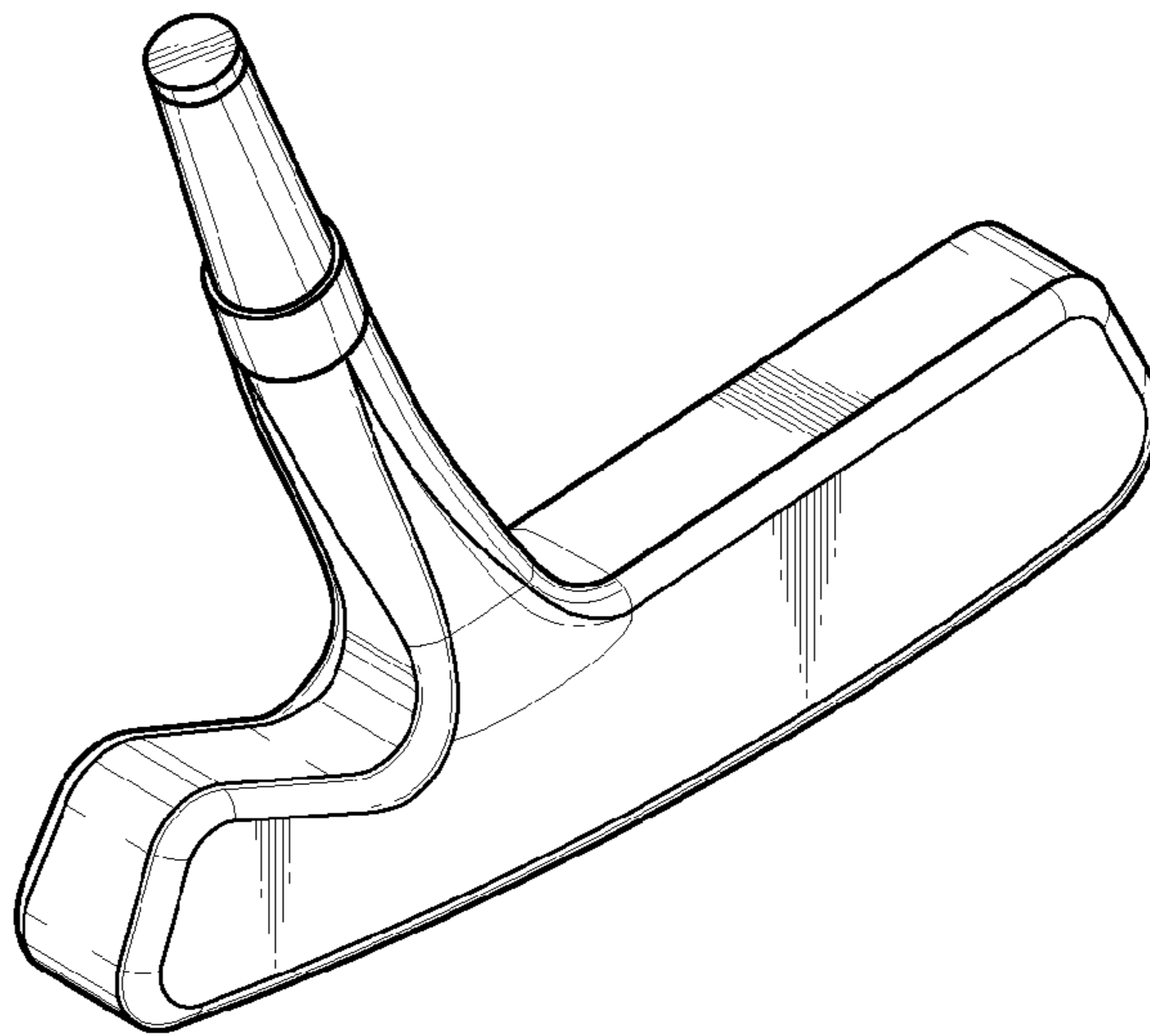


FIG. 2

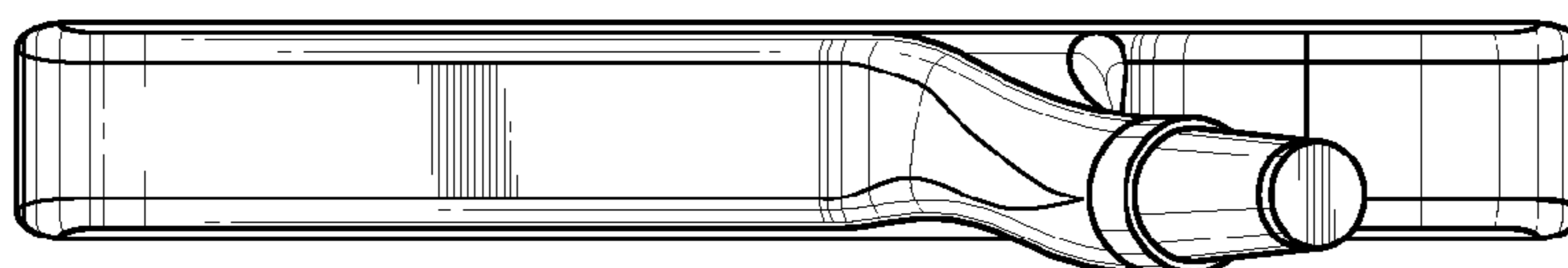


FIG. 3

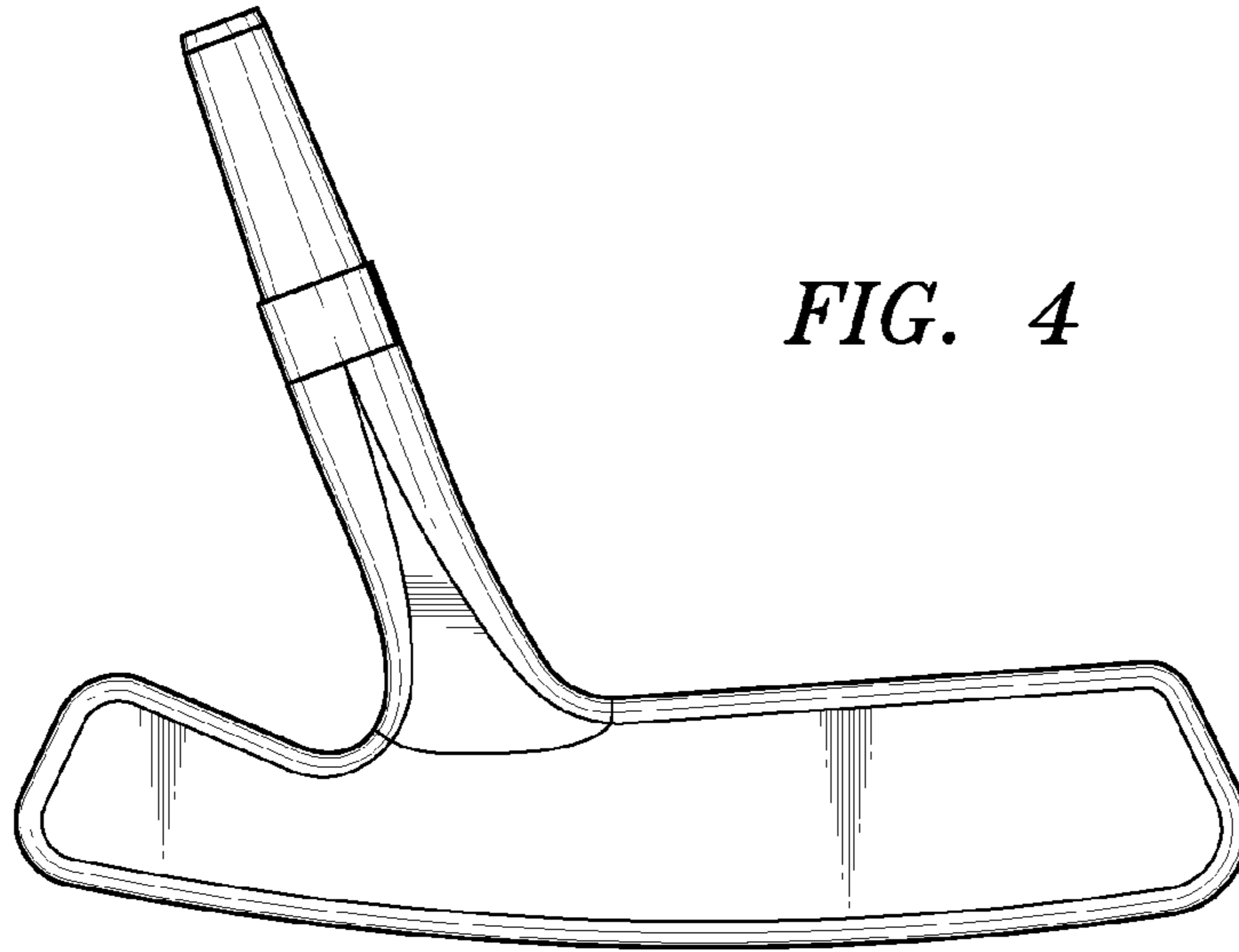


FIG. 4



FIG. 5

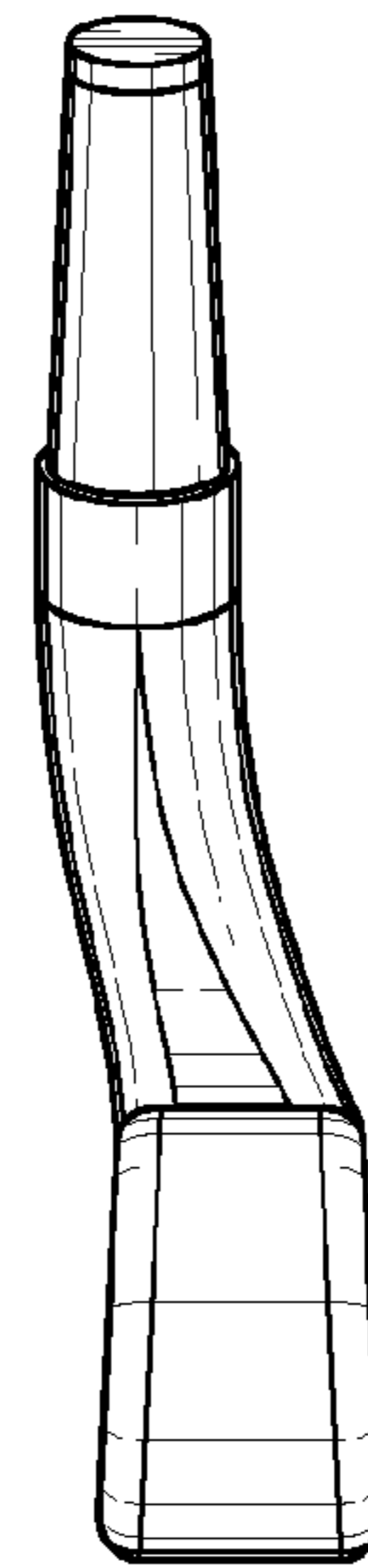


FIG. 6

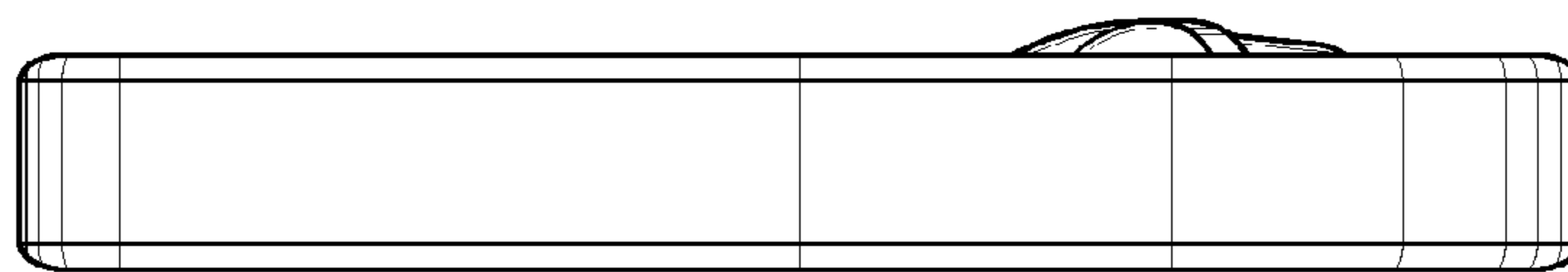


FIG. 7