

US00D548291S

(12) **United States Design Patent** (10) **Patent No.:** **US D548,291 S**
Chiang (45) **Date of Patent:** **** Aug. 7, 2007**

(54) **SLIMMING MACHINE**

(76) Inventor: **Yu Sung Chiang**, 235 Chung-Ho Box
8-24, Taipei (TW)

(**) Term: **14 Years**

(21) Appl. No.: **29/241,104**

(22) Filed: **Oct. 25, 2005**

(51) **LOC (8) Cl.** **21-02**

(52) **U.S. Cl.** **D21/662; D21/686**

(58) **Field of Classification Search** D21/662,
D21/686, 688-690; D24/213, 215; 482/51-52,
482/71, 77, 79, 146-147; 601/1, 23, 27,
601/49, 90

See application file for complete search history.

(56) **References Cited**

U.S. PATENT DOCUMENTS

D362,479	S *	9/1995	Destasio, Jr.	D21/688
5,599,262	A *	2/1997	Shih	482/147
5,632,711	A *	5/1997	Hwang	482/147
D380,508	S *	7/1997	Chang	D21/688
5,888,182	A *	3/1999	Shih	482/147
5,921,899	A *	7/1999	Rose	482/112
6,176,817	B1 *	1/2001	Carey et al.	482/146
6,280,368	B1 *	8/2001	Liao	482/146
D460,506	S *	7/2002	Tammaing et al.	D21/686
6,620,117	B1 *	9/2003	Johnson et al.	601/90
D480,439	S *	10/2003	Verheem et al.	D21/686
D489,423	S *	5/2004	Fan et al.	D21/688
D494,645	S *	8/2004	Otomi et al.	D21/662
D495,015	S *	8/2004	Tudico	D21/688
D500,100	S *	12/2004	van der Meer	D21/662
D518,533	S *	4/2006	van der Meer	D21/662
D522,074	S *	5/2006	Dummel	D21/662

2004/0068211	A1 *	4/2004	Leivseth et al.	601/49
2005/0131319	A1 *	6/2005	der Meer	601/49
2005/0165332	A1 *	7/2005	Talish et al.	601/23
2006/0009329	A1 *	1/2006	Toyama et al.	482/51
2006/0217640	A1 *	9/2006	Trandafir	601/90
2006/0253053	A1 *	11/2006	Koonar	601/49
2007/0021693	A1 *	1/2007	Trandafir et al.	601/90

OTHER PUBLICATIONS

Vibration Machine at Yonkang Fri-trust Industry & Trade Co., Ltd.
Downloaded Feb. 18, 2007 at http://fritrust.en.ec21.com/product_detail.jsp?group_id=GC00748248&product_id=CA01257672&produc... (No dates prior to 2006 available online; this reference cited as general reference only).*

* cited by examiner

Primary Examiner—Philip S. Hyder
Assistant Examiner—RoseLynne (Ulm) Cody

(57) **CLAIM**

The ornamental design for a slimming machine, as shown and described.

DESCRIPTION

FIG. 1 is a isometric view of a slimming machine showing my new design.

FIG. 2 is a front elevational view thereof.

FIG. 3 is a rear elevational view thereof.

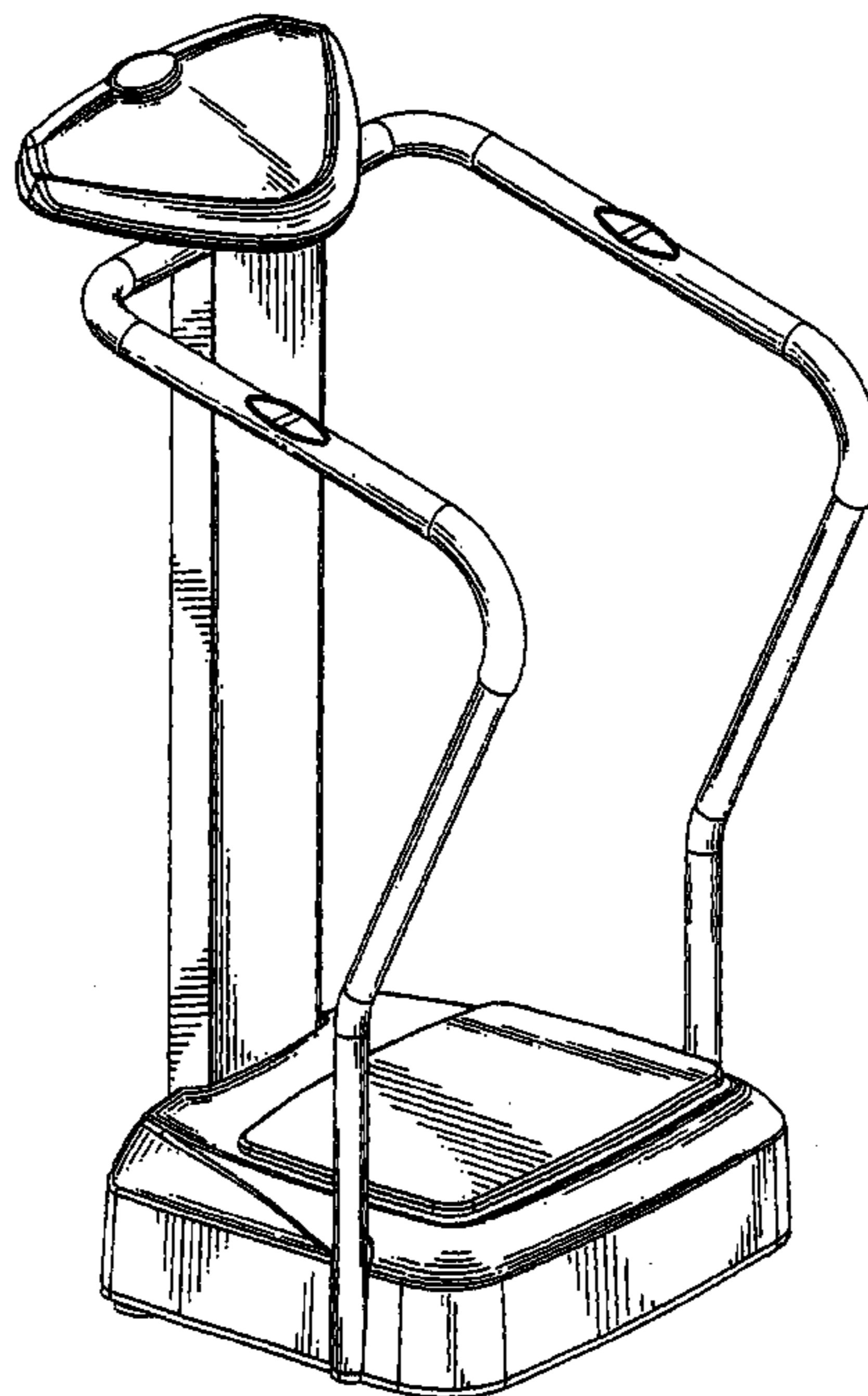
FIG. 4 is a left side view thereof.

FIG. 5 is a right side view thereof.

FIG. 6 is a top plan view thereof; and,

FIG. 7 is a bottom plan view thereof.

1 Claim, 6 Drawing Sheets



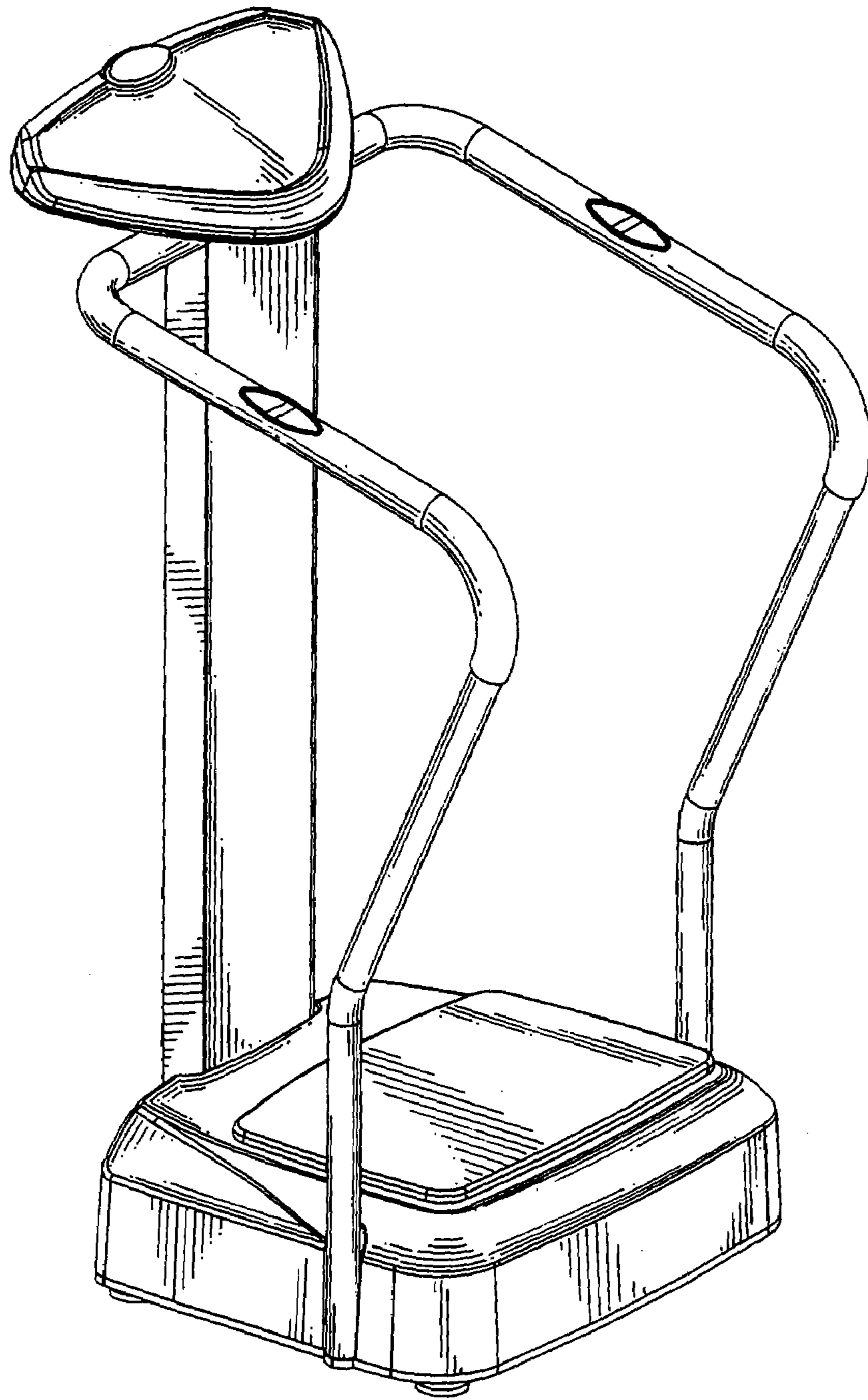


FIG. 1

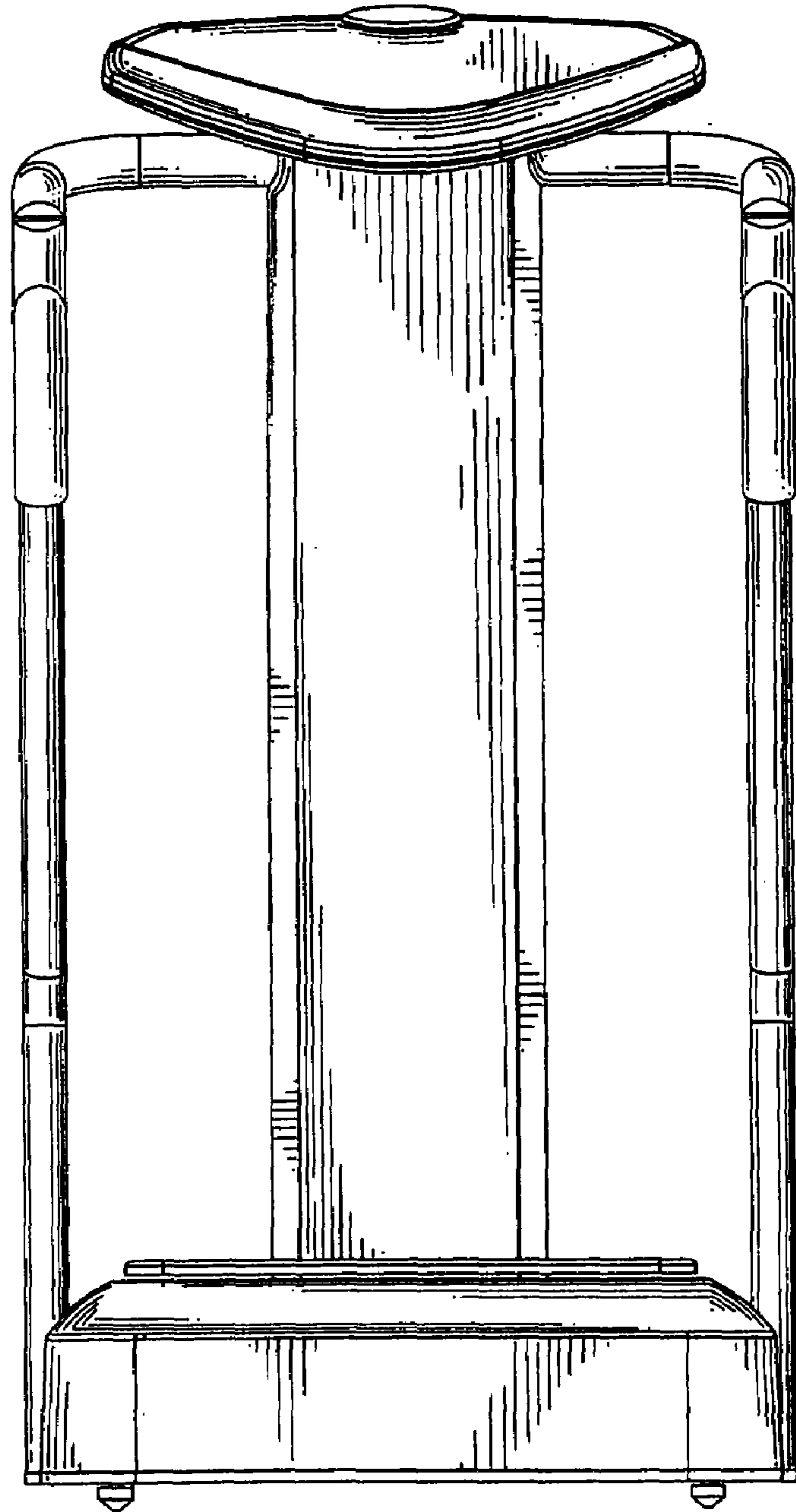


FIG. 2

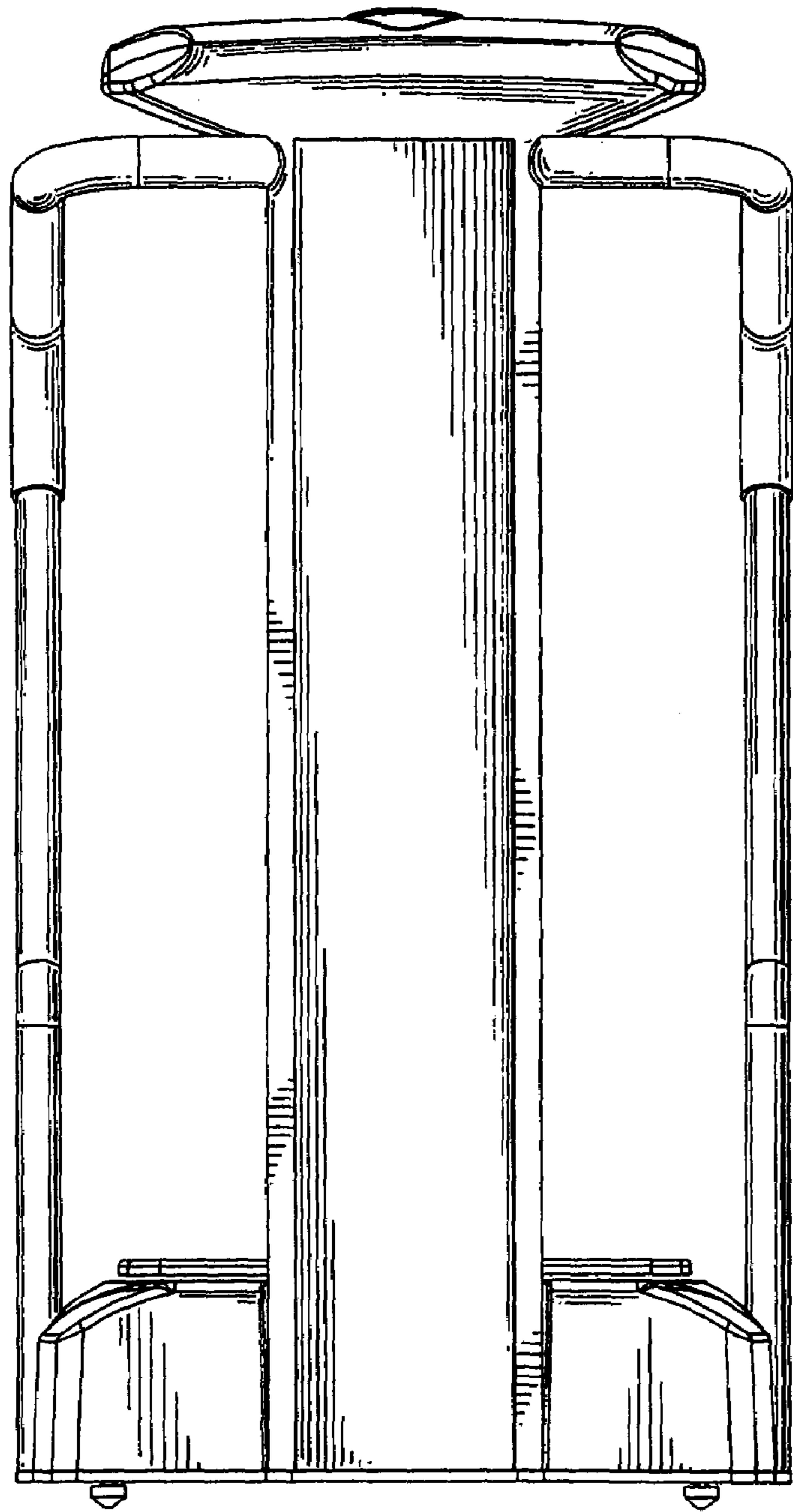


FIG. 3

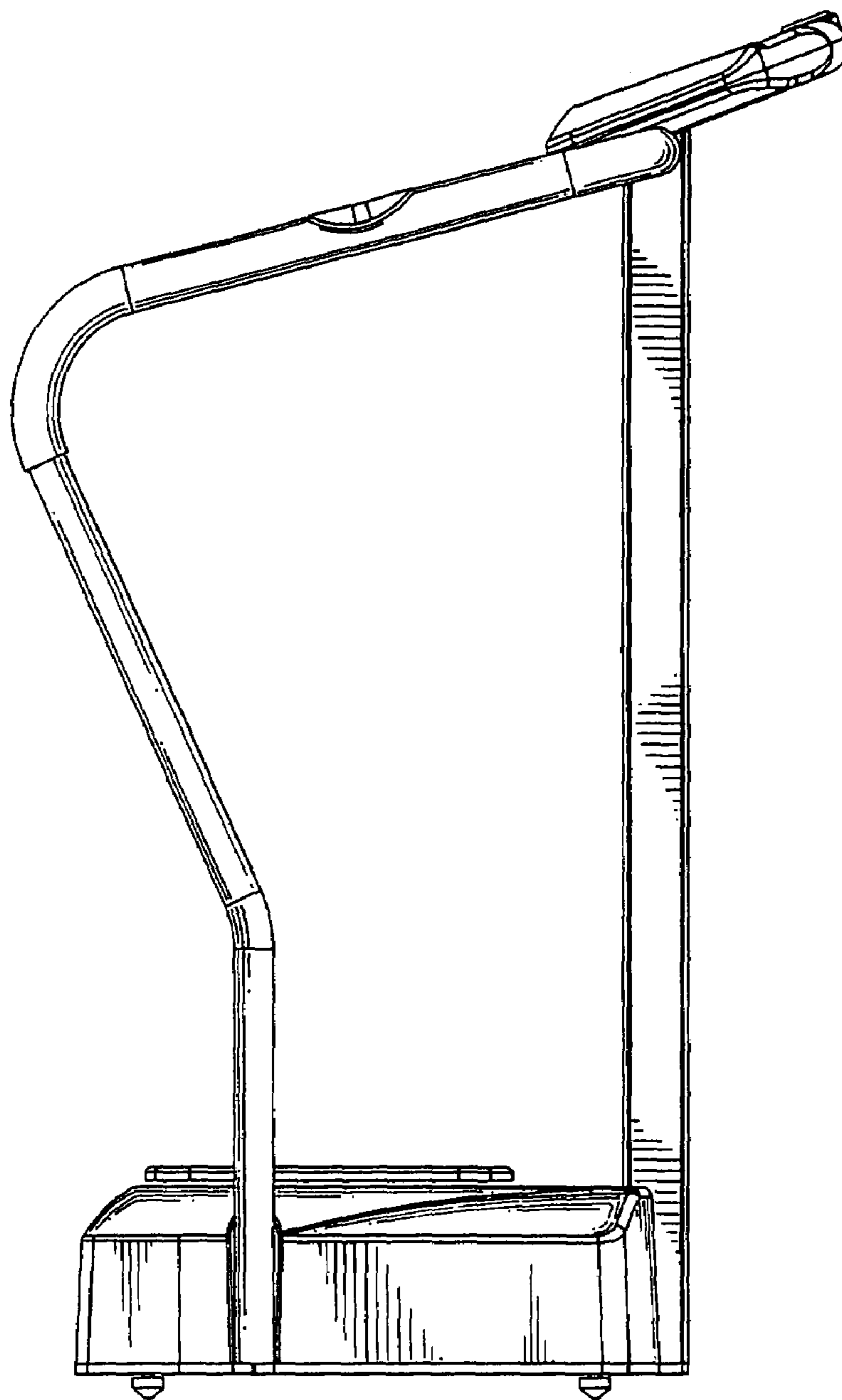


FIG. 4

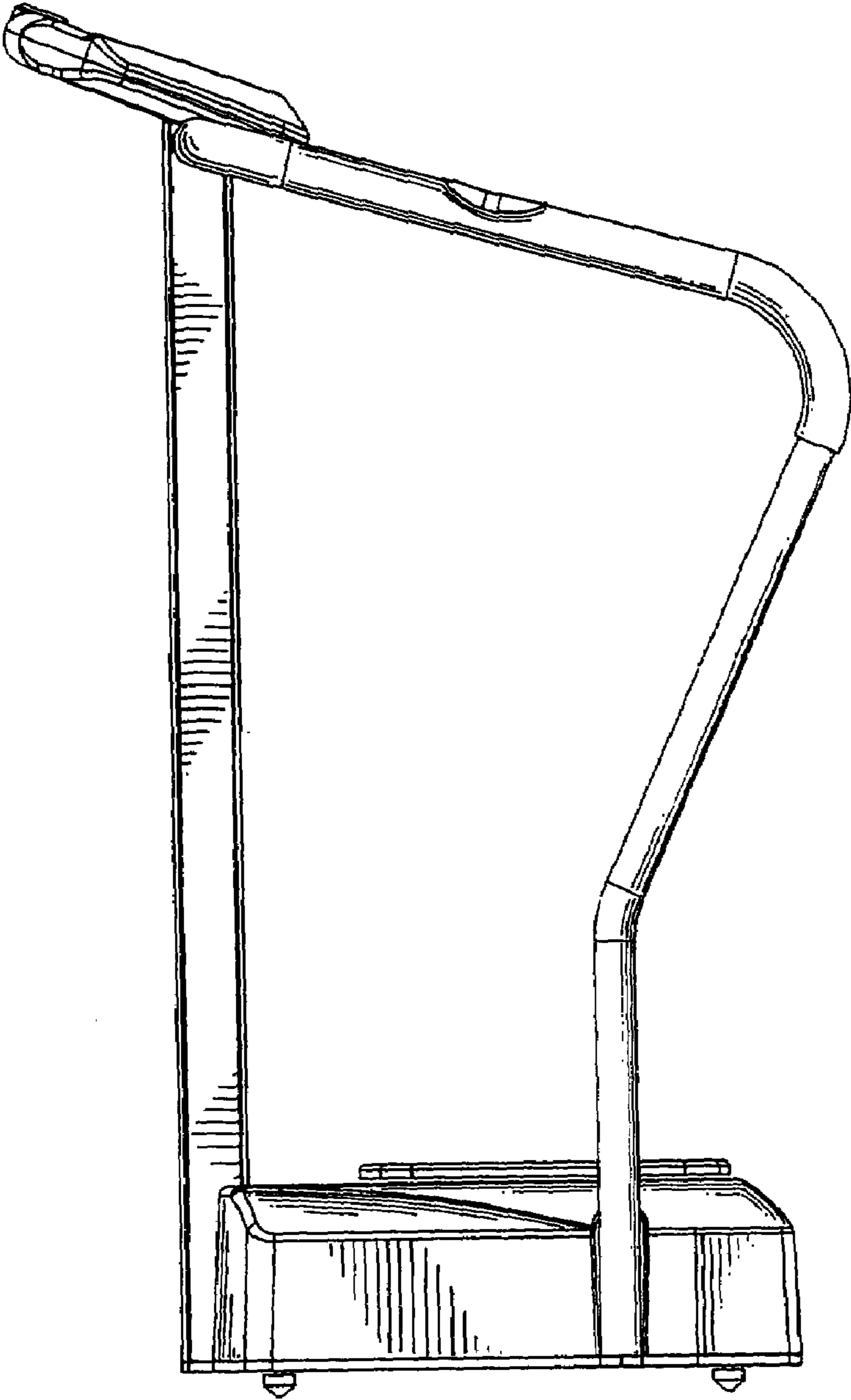


FIG. 5

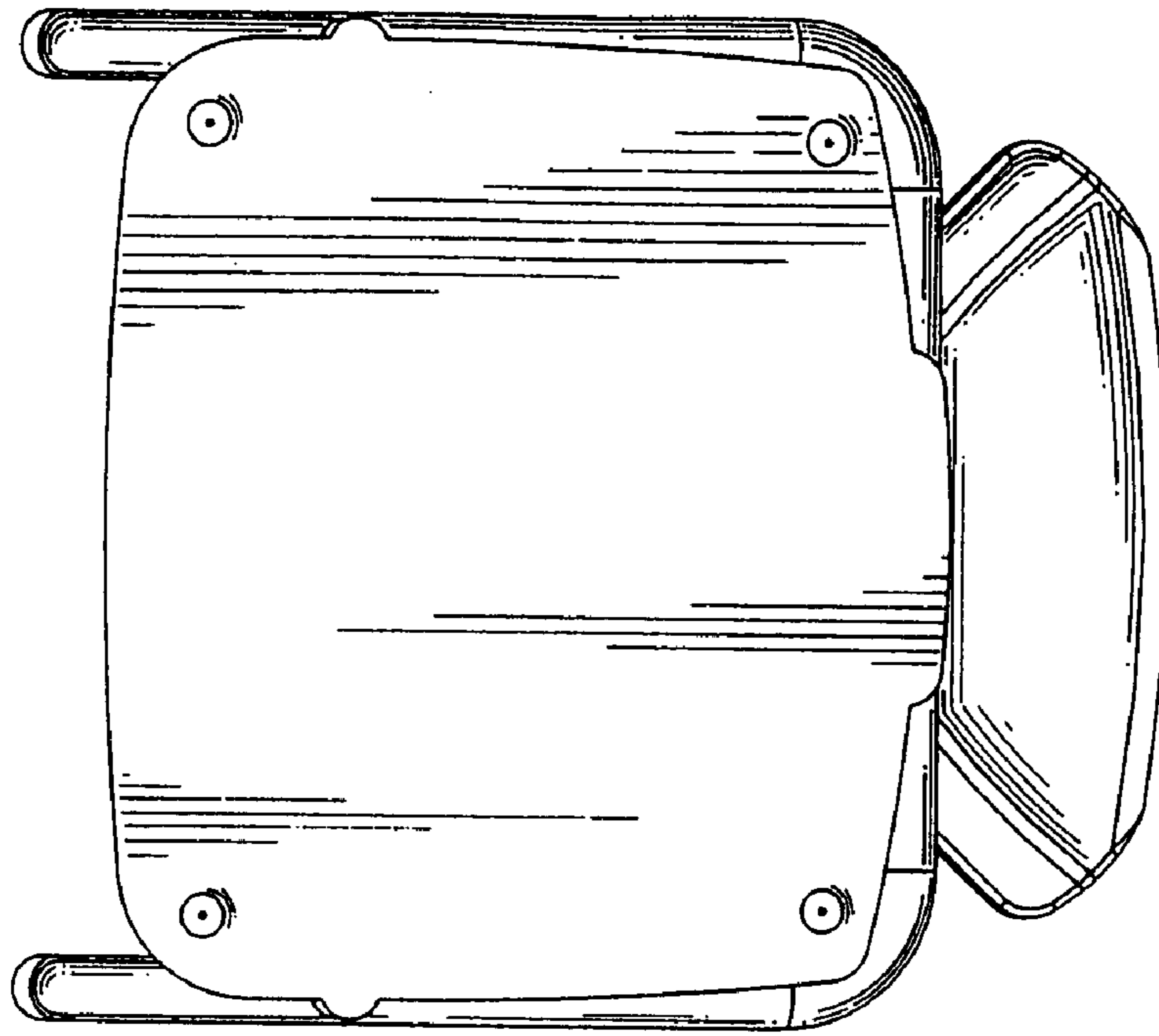


FIG. 7

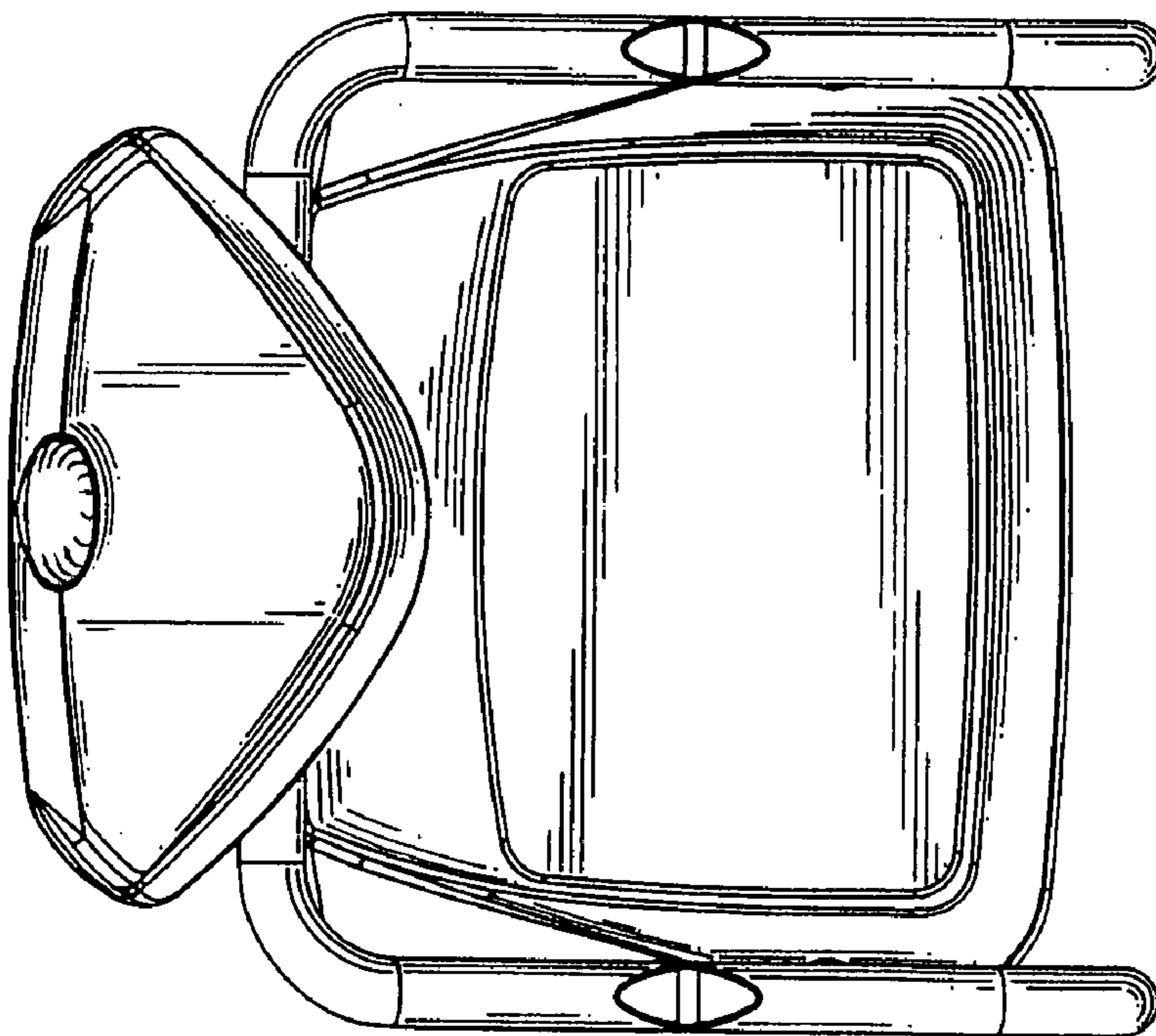


FIG. 6