



US00D548290S

(12) **United States Design Patent**
Chuang et al.

(10) **Patent No.:** **US D548,290 S**

(45) **Date of Patent:** **** Aug. 7, 2007**

(54) **BELLOWS ACTION WATER GUN**
(75) Inventors: **Peter Chuang**, Placentia, CA (US);
George Eden, West Hollywood, CA
(US); **Kevin Hou**, ShenZhen (CN);
Francis Ponton, Bellflower, CA (US);
Chiu Wah Wong, Hong Kong (HK)

(73) Assignee: **Mattel, Inc.**, El Segundo, CA (US)

(**) Term: **14 Years**

(21) Appl. No.: **29/252,985**

(22) Filed: **Jan. 30, 2006**

(30) **Foreign Application Priority Data**

Aug. 1, 2005 (EP) 000379961-0014
Aug. 1, 2005 (EP) 000379961-0013

(51) **LOC (8) Cl.** **21-01**

(52) **U.S. Cl.** **D21/572**

(58) **Field of Classification Search** D21/567-575,
D21/451; D23/223, 225; 446/267, 473, 475;
222/78, 79; 239/211, 373; D14/418, 428,
D14/414; D22/100; 124/75

See application file for complete search history.

(56) **References Cited**

U.S. PATENT DOCUMENTS

295,013 A 3/1884 Hunter
391,397 A 10/1888 Berkeley
1,244,679 A 10/1917 Winn
1,279,930 A 9/1918 Stroud
1,290,606 A 1/1919 Lovas
2,306,708 A 12/1942 Mendel
3,038,483 A 6/1962 Altsheler
3,578,789 A 5/1971 Ferri
3,685,828 A 8/1972 Getgey et al.
3,828,478 A 8/1974 Bemis
4,040,622 A 8/1977 Sinnott
4,214,674 A 7/1980 Jones et al.
4,358,984 A 11/1982 Winblad
4,412,495 A 11/1983 Sankar

D271,896 S * 12/1983 Wilkes D21/451
4,573,975 A 3/1986 Frist et al.
4,815,822 A 3/1989 Bramhall

(Continued)

FOREIGN PATENT DOCUMENTS

GB 2145340 A 3/1985

OTHER PUBLICATIONS

Photographs of a squirt gun prototype known to the applicants at the time of invention, dated 2004.

Primary Examiner—Holly H. Baynham

Assistant Examiner—Cynthia M. Chin

(74) *Attorney, Agent, or Firm*—Kolisich Hartwell, P.C.

(57) **CLAIM**

We claim the ornamental design for a bellows action water gun, as shown and described.

DESCRIPTION

FIG. 1 is a top-front perspective view of a bellows action water gun according to the present invention.

FIG. 2 is front view of the bellows action water gun of FIG. 1.

FIG. 3 is a back view of the bellows action water gun of FIG. 1.

FIG. 4 is a top view of the bellows action water gun of FIG. 1.

FIG. 5 is a bottom view of the bellows action water gun of FIG. 1; and,

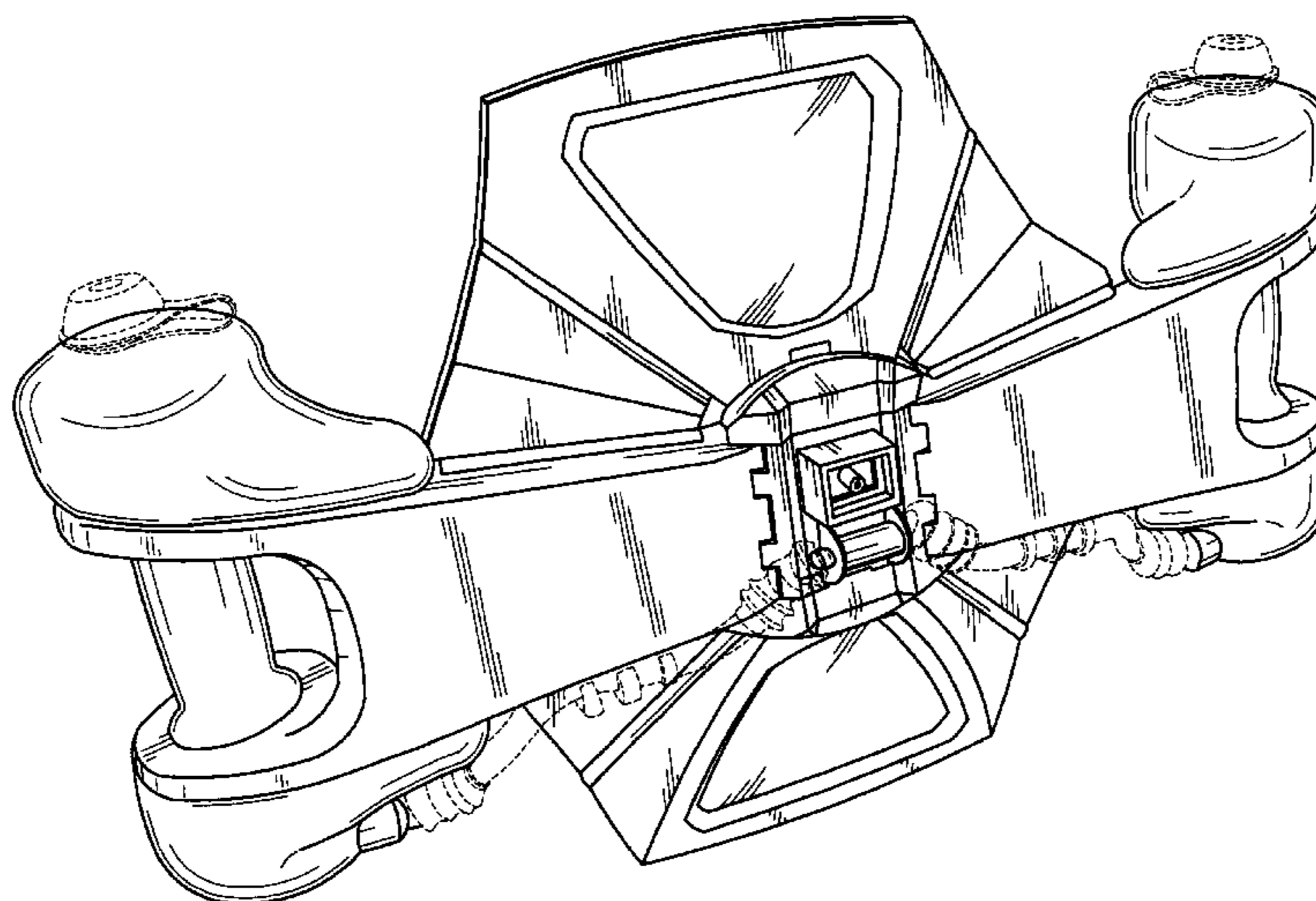
FIG. 6 is a right side view of the bellows action water gun of FIG. 1, the left side view being a mirror image thereof.

The broken lines shown in the drawings are for illustrative purposes only and form no part of the claimed design.

The shading lines shown in the drawing represent the three-dimensional contour of the design, and are not intended to indicate surface decoration.

Portions of the bellows action water gun that are not shown in the drawing(s) form no part of the claimed design.

1 Claim, 5 Drawing Sheets



US D548,290 S

Page 2

U.S. PATENT DOCUMENTS

5,029,732 A	7/1991	Wong	
5,042,819 A	8/1991	LaFata	
D321,732 S	* 11/1991	Furst	D21/451
5,102,052 A	4/1992	Demarest et al.	
D331,609 S	12/1992	LaFata	
5,241,944 A	9/1993	Rappaport	
5,288,231 A	2/1994	Kuehn et al.	
5,332,120 A	7/1994	D'Andrare et al.	
D354,531 S	* 1/1995	Appel et al.	D21/572
5,377,656 A	1/1995	Lewinski et al.	
5,411,269 A	5/1995	Thomas	
5,598,950 A	2/1997	Liu et al.	
5,605,253 A	2/1997	Luk	
5,611,460 A	3/1997	Rudell	
5,641,934 A	6/1997	Follett	
5,823,849 A	10/1998	Gardner et al.	
5,865,438 A	2/1999	Zilliox	
D422,322 S	* 4/2000	Wei	D21/451
D427,600 S	* 7/2000	Probstel et al.	D14/414
6,224,457 B1	* 5/2001	Wu	446/473
6,312,364 B1	11/2001	Selsam	
6,631,830 B2	* 10/2003	Ma et al.	222/79
6,730,004 B2	5/2004	Selsam	
D521,574 S	* 5/2006	McBride et al.	D21/572
2002/0132557 A1	* 9/2002	Yu	446/475

* cited by examiner

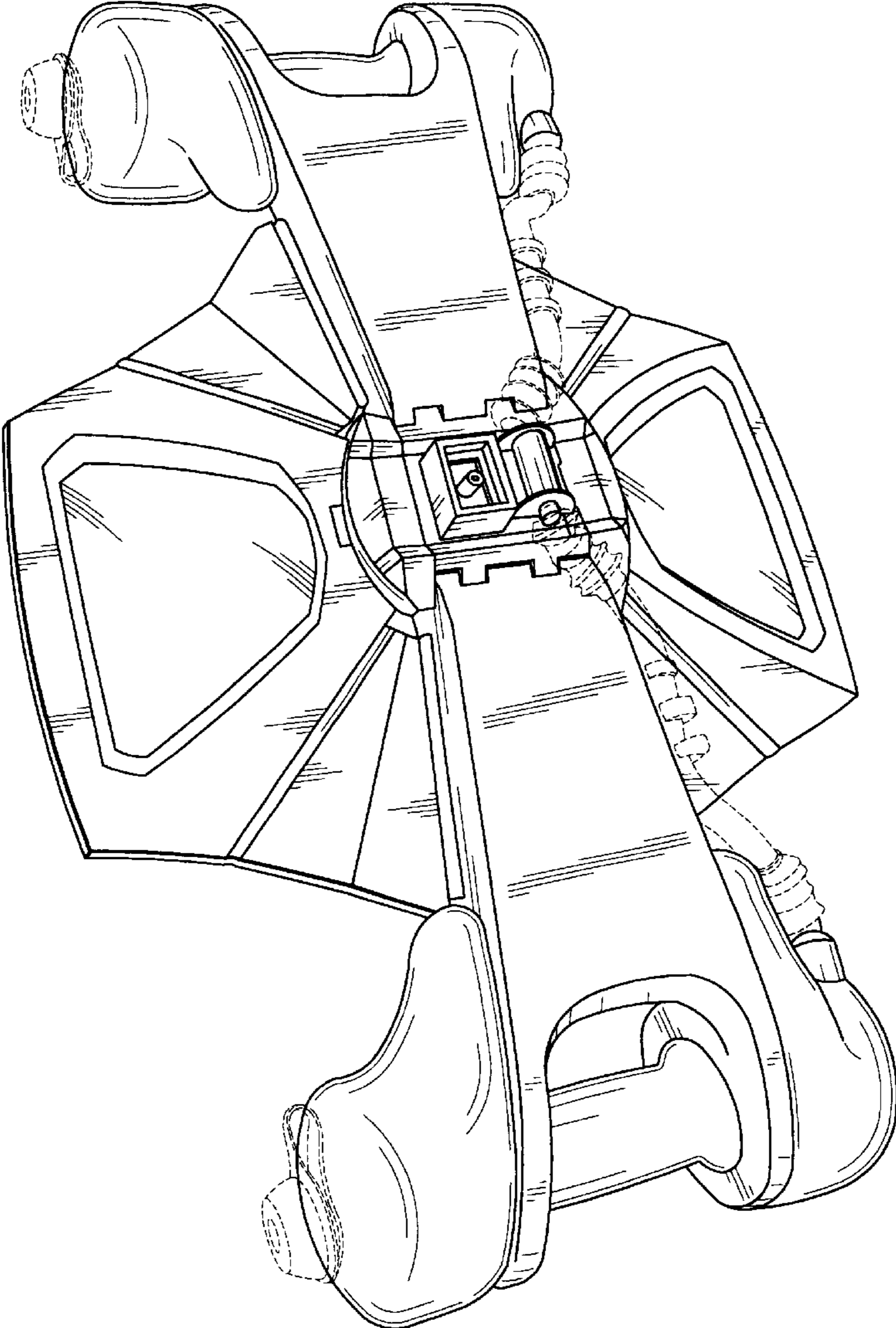


FIG. 1

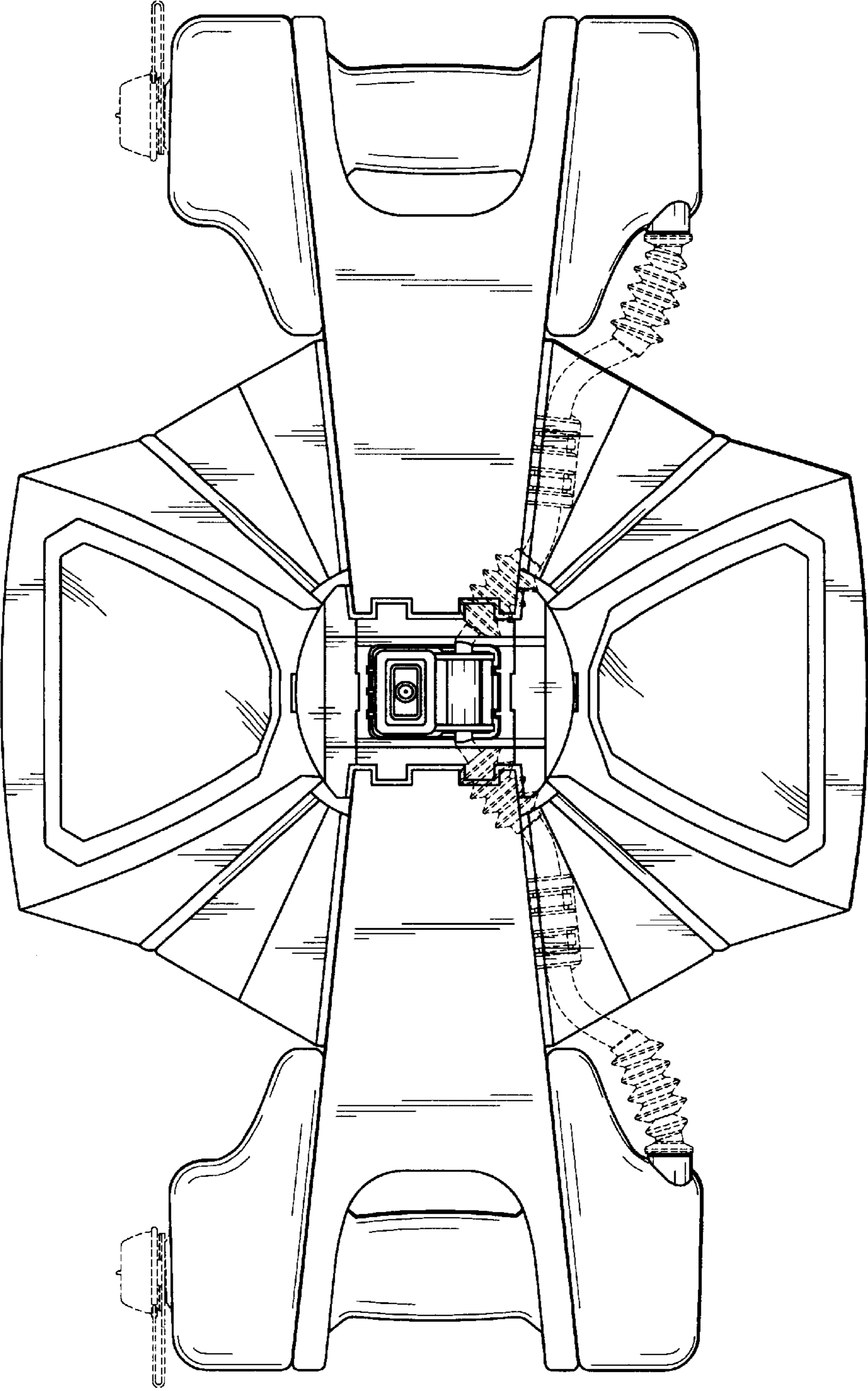


FIG. 2

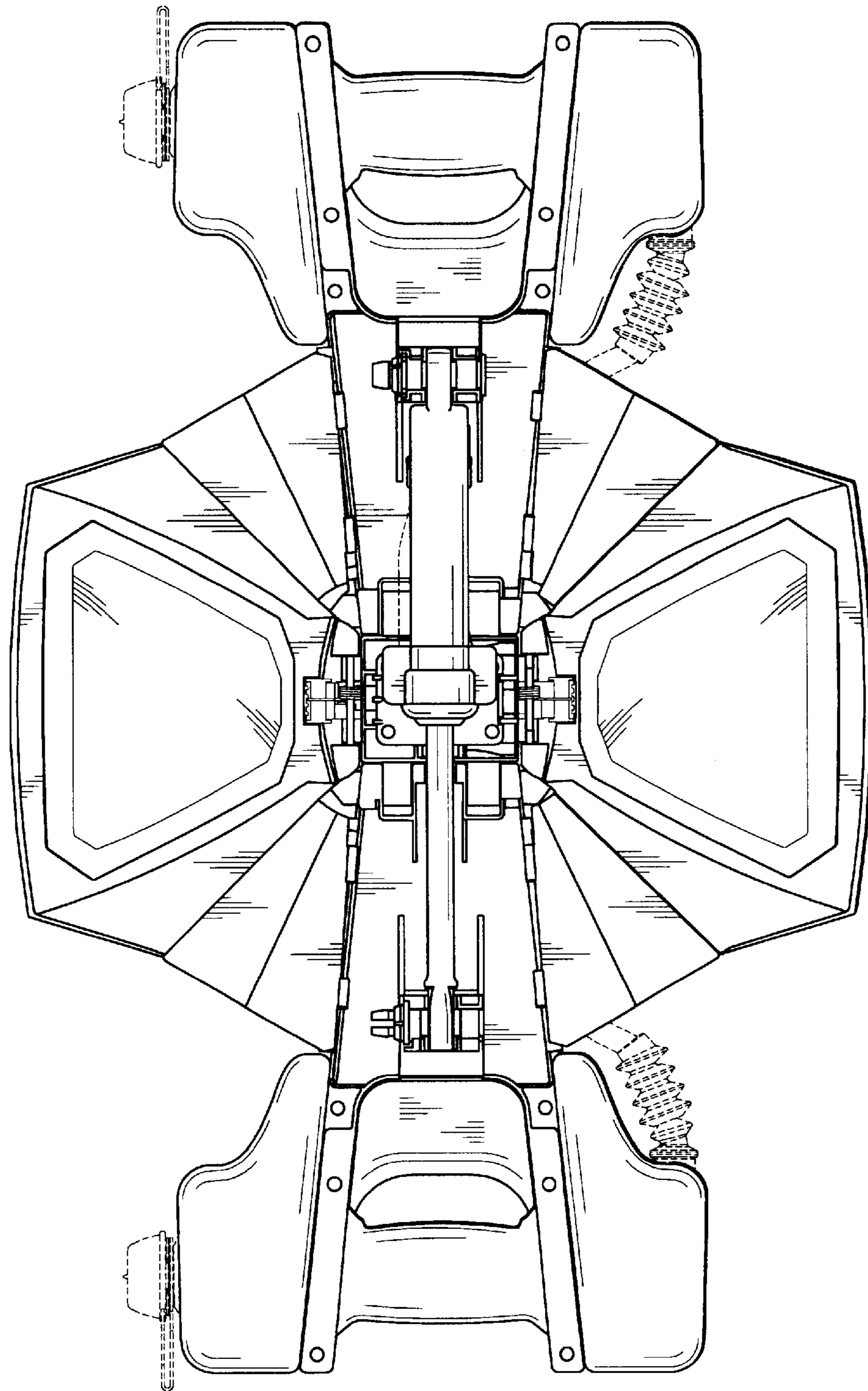


FIG. 3

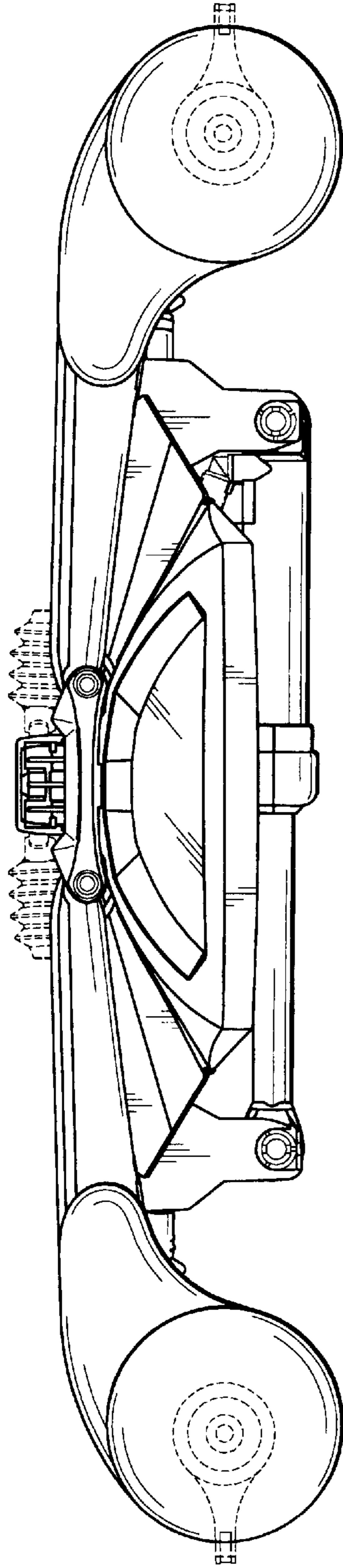


FIG. 4

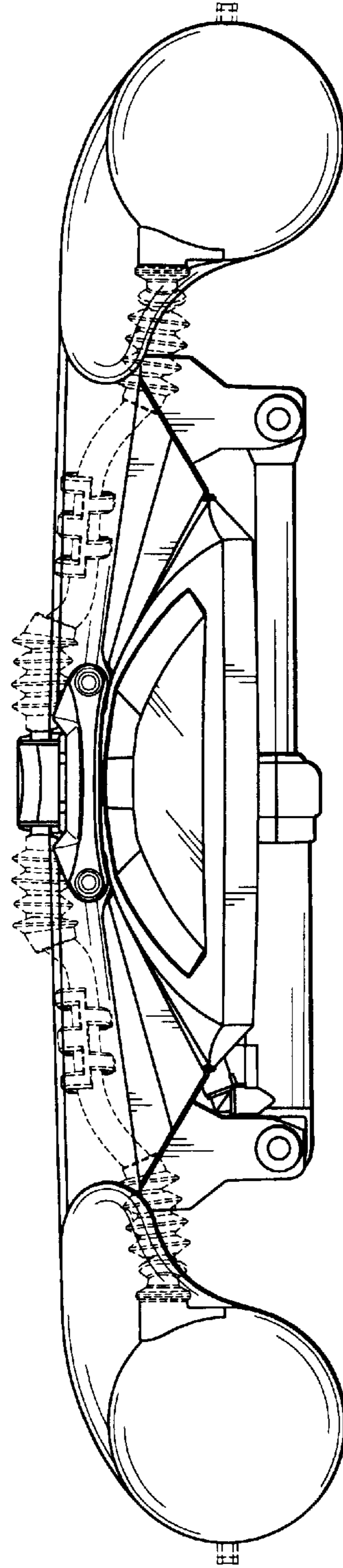


FIG. 5

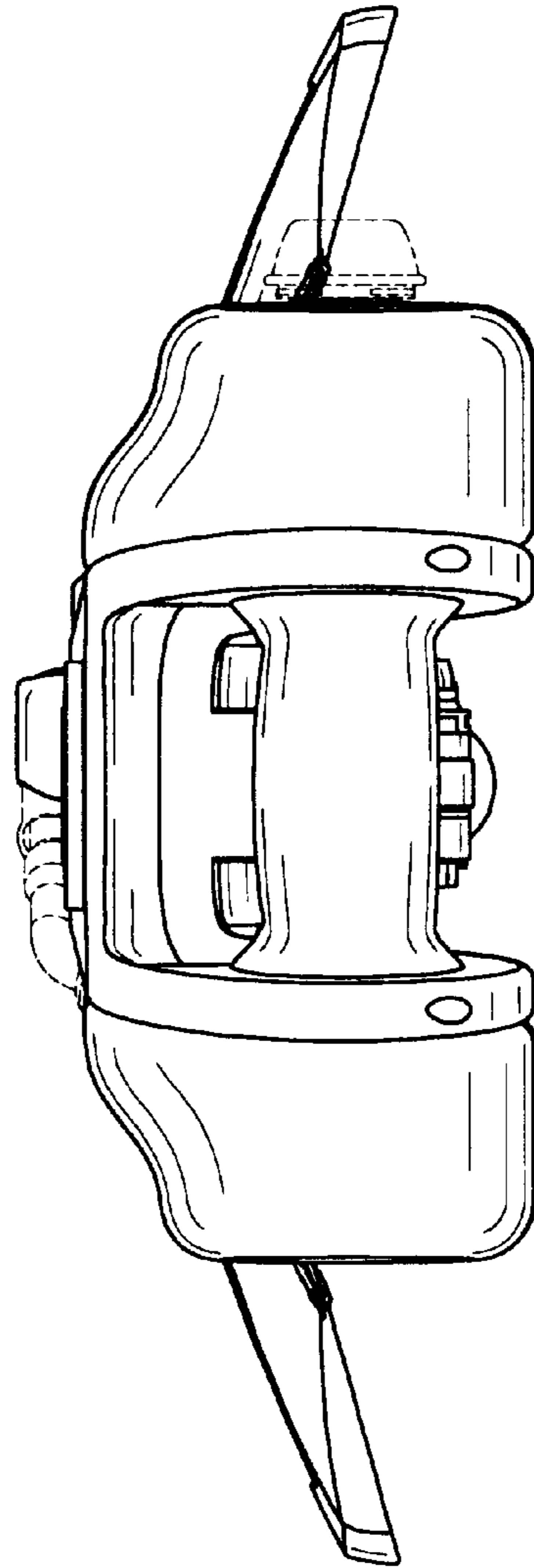


FIG. 6