

US00D548289S

(12) **United States Design Patent**
Ramsey

(10) **Patent No.:** **US D548,289 S**

(45) **Date of Patent:** **** Aug. 7, 2007**

(54) **WAFER CRYSTAL DOMINO**

(76) Inventor: **Melvin Ramsey**, 7951 W. Charleston Blvd., Apt. 94, Las Vegas, NV (US) 89117

(**) Term: **14 Years**

(21) Appl. No.: **29/239,359**

(22) Filed: **Sep. 29, 2005**

(51) **LOC (8) Cl.** **21-01**

(52) **U.S. Cl.** **D21/391**

(58) **Field of Classification Search** D21/369,
D21/385-386, 391; 273/292-295, 148 R,
273/364

See application file for complete search history.

(56) **References Cited**

U.S. PATENT DOCUMENTS

273,559	A *	3/1883	Lockwood	273/293
405,164	A *	6/1889	Hyatt	273/293
615,818	A *	12/1898	Dexter	273/292
D258,794	S *	4/1981	Miller	273/295
4,468,037	A *	8/1984	Kuhn	273/295
5,201,525	A *	4/1993	Castro	273/293
5,478,085	A *	12/1995	Canner et al.	273/239

OTHER PUBLICATIONS

www.unclesgames.com Umbra double six plastic dominoes, May 27, 2005.*

* cited by examiner

Primary Examiner—Sandra L. Morris

(74) *Attorney, Agent, or Firm*—Myers & Kaplan, LLC; Sandra M. Drummond, Esq.; Joel D. Myers, Esq.

(57) **CLAIM**

The ornamental design for a wafer crystal domino, as shown and described.

DESCRIPTION

FIG. 1 is an exploded perspective of a wafer crystal domino according to the preferred embodiment of the present invention;

FIG. 2 is an end view of a wafer crystal domino according to the preferred embodiment of the present invention;

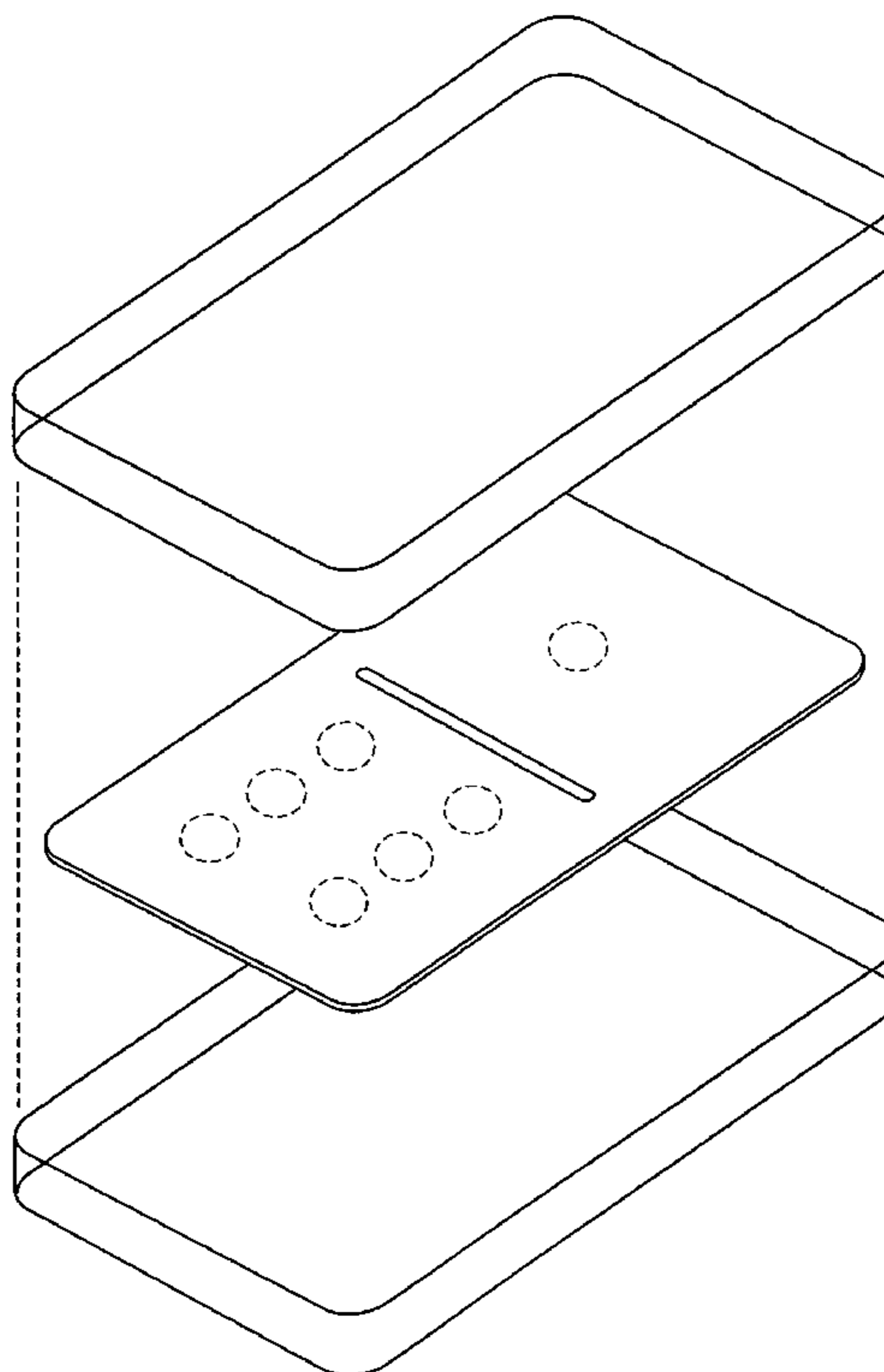
FIG. 3 is a side view of a wafer crystal domino according to the preferred embodiment of the present invention;

FIG. 4 is a rear view of a wafer crystal domino according to the preferred embodiment of the present invention; and,

FIG. 5 is an overhead view of a wafer crystal domino according to the preferred embodiment of the present invention.

The broken line showing of the dots is for illustrative purposes only, and forms no part of the claimed design.

1 Claim, 3 Drawing Sheets



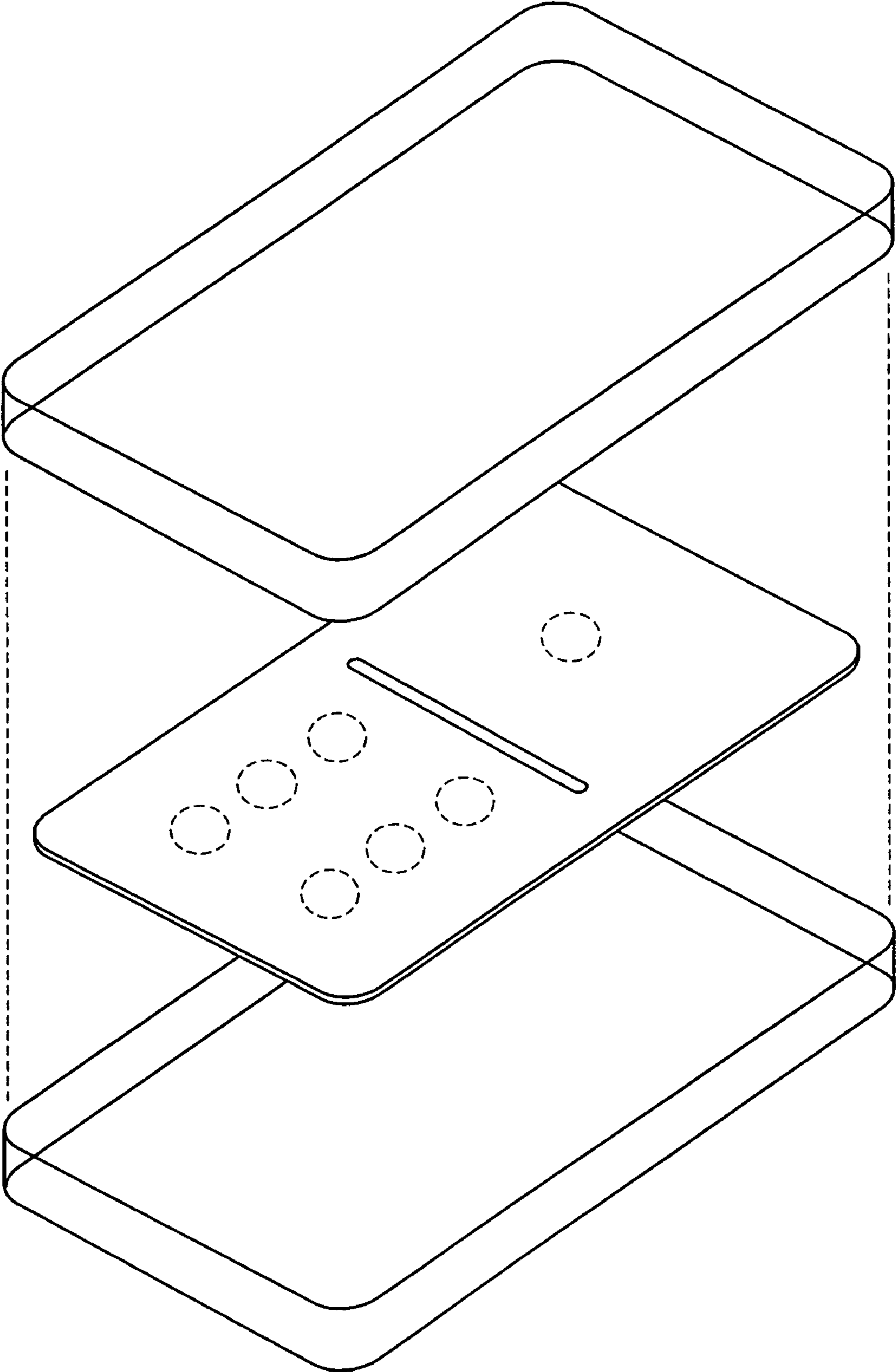


FIG. 1

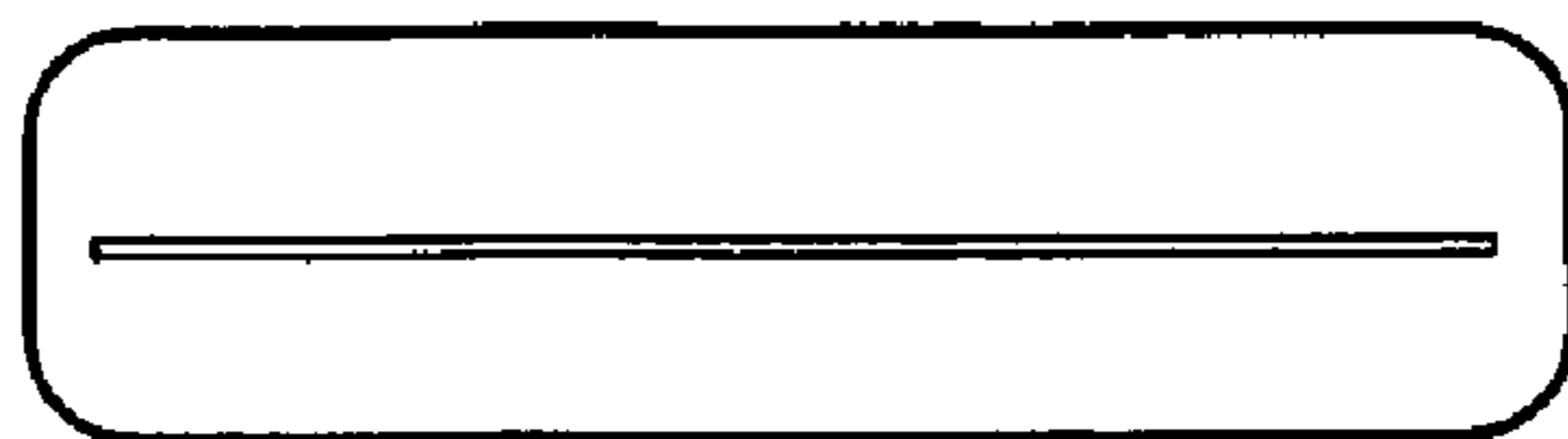


FIG. 2

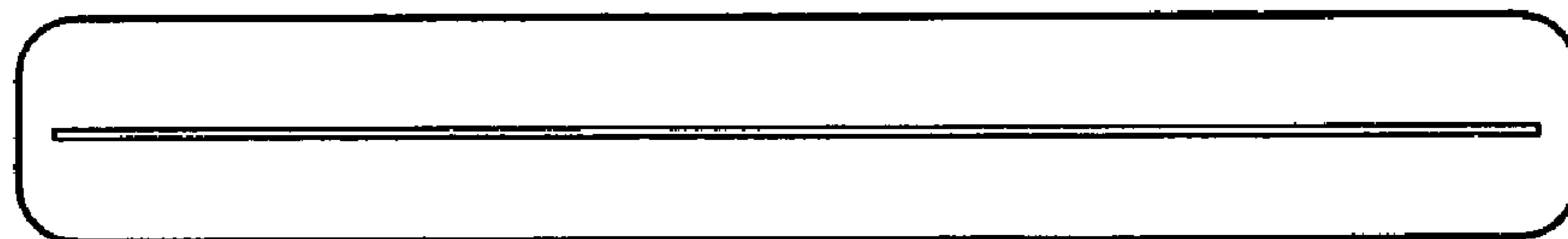


FIG. 3

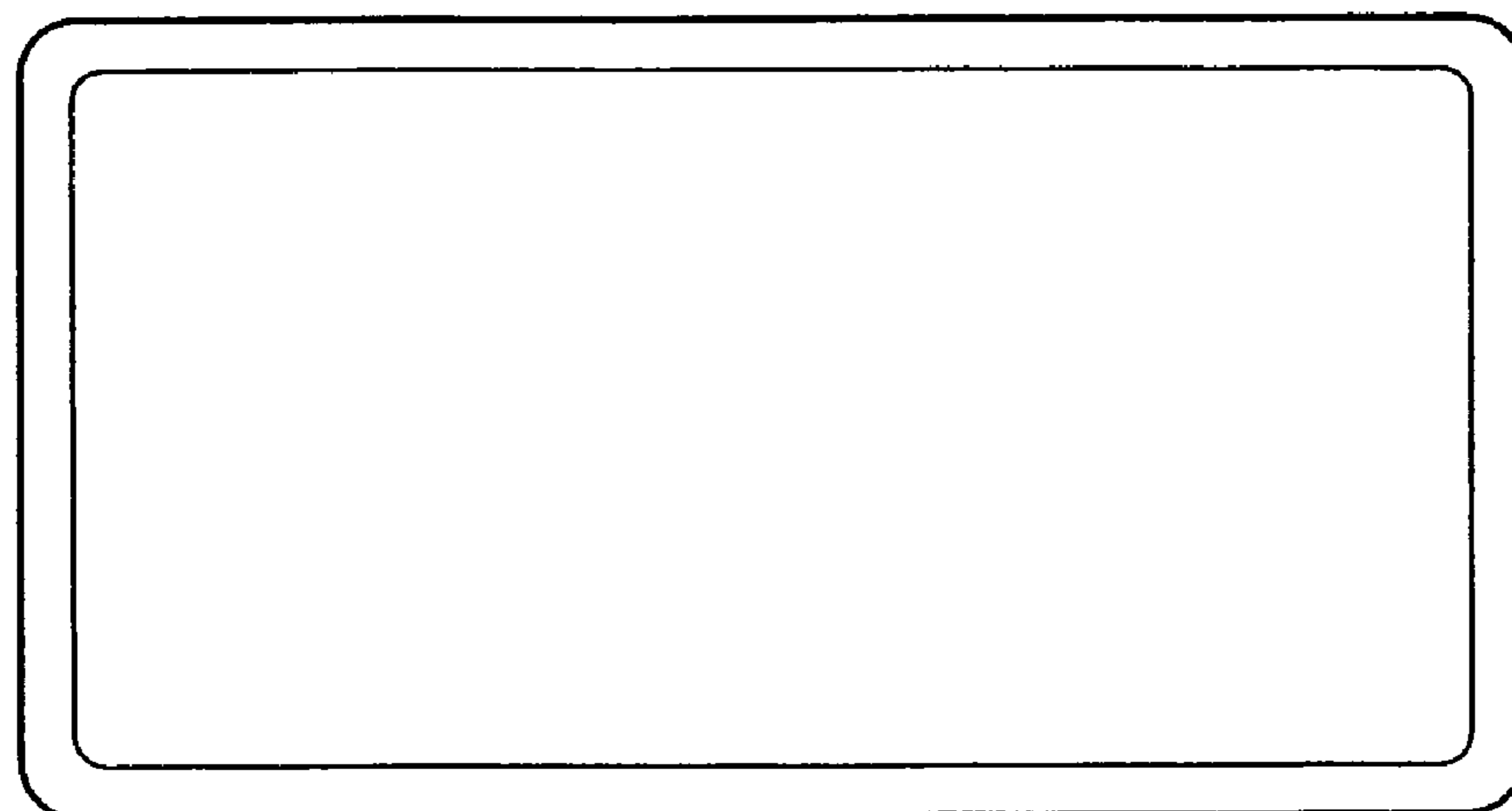


FIG. 4

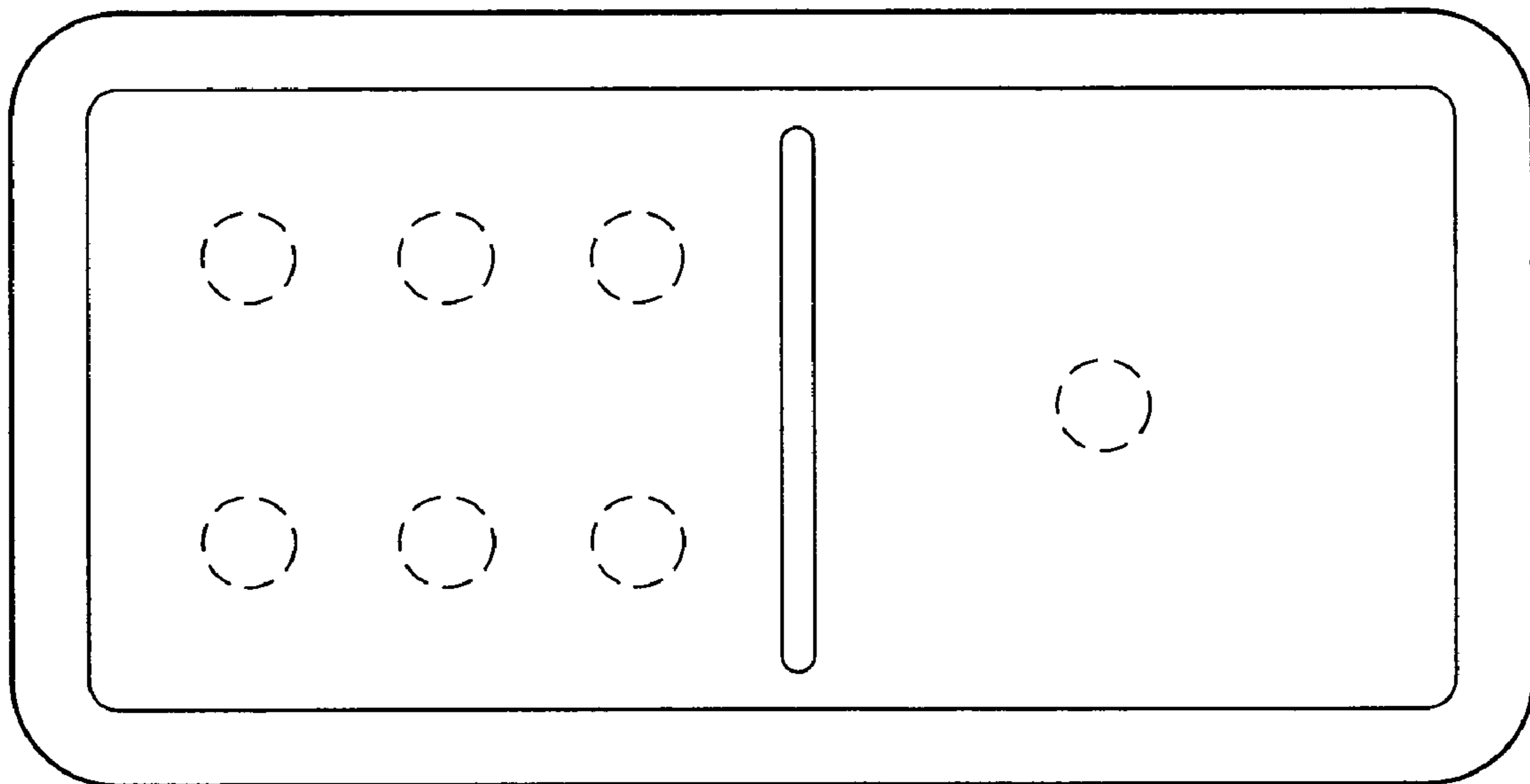


FIG. 5