



US00D548287S

(12) **United States Design Patent**  
**Yamanaka et al.**

(10) **Patent No.:** **US D548,287 S**

(45) **Date of Patent:** **\*\* Aug. 7, 2007**

(54) **OPERATING APPARATUS FOR GAME MACHINE**

(75) Inventors: **Misao Yamanaka**, Tokyo (JP); **Atsushi Inoue**, Tokyo (JP)

(73) Assignee: **Konami Digital Entertainment Co., Ltd.**, Tokyo (JP)

(\*\*) Term: **14 Years**

(21) Appl. No.: **29/258,783**

(22) Filed: **Apr. 26, 2006**

(51) **LOC (8) Cl.** ..... **21-01**

(52) **U.S. Cl.** ..... **D21/325**

(58) **Field of Classification Search** ..... D21/324-330,  
D21/369-375, 333; 273/148 B, 148 A, 138.1,  
273/139, 138.2, 148 R; 463/1, 7, 46, 16-22,  
463/47, 29-35; 345/905

See application file for complete search history.

(56) **References Cited**

**U.S. PATENT DOCUMENTS**

- D358,616 S \* 5/1995 Chung-Po ..... D21/325
- 5,456,468 A \* 10/1995 Stringfellow et al. .... 463/46
- 5,813,914 A \* 9/1998 McKay et al. .... 463/46

- 5,851,147 A \* 12/1998 Stupak et al. .... 463/13
- D424,122 S \* 5/2000 Dickenson et al. .... D21/325
- D435,068 S \* 12/2000 Muraki et al. .... D21/325
- 6,201,532 B1 \* 3/2001 Tode et al. .... 345/156
- D460,120 S \* 7/2002 Lynch ..... D21/325
- D527,729 S \* 9/2006 Thornton ..... D14/307

\* cited by examiner

*Primary Examiner*—Prabhakar Deshmukh

(74) *Attorney, Agent, or Firm*—Jordan and Hamburg LLP

(57) **CLAIM**

The ornamental design for an operating apparatus for game machine, as shown and described.

**DESCRIPTION**

FIG. 1 is a perspective view of an operating apparatus for game machine;

FIG. 2 is a front view thereof;

FIG. 3 is a rear view thereof;

FIG. 4 is a left side view thereof;

FIG. 5 is a right side view thereof;

FIG. 6 is a top view thereof; and,

FIG. 7 is a bottom view thereof.

**1 Claim, 4 Drawing Sheets**

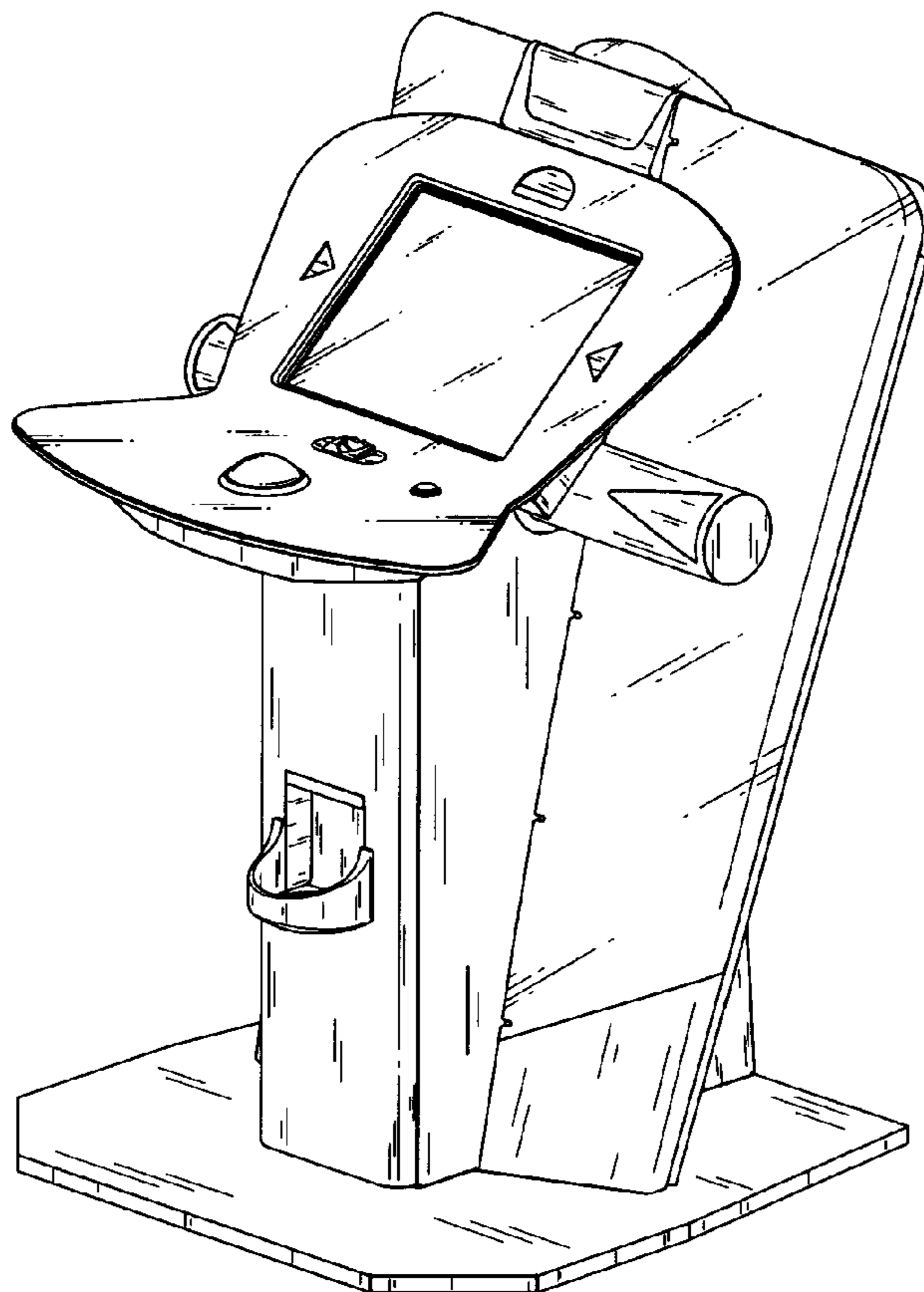


Fig. 1

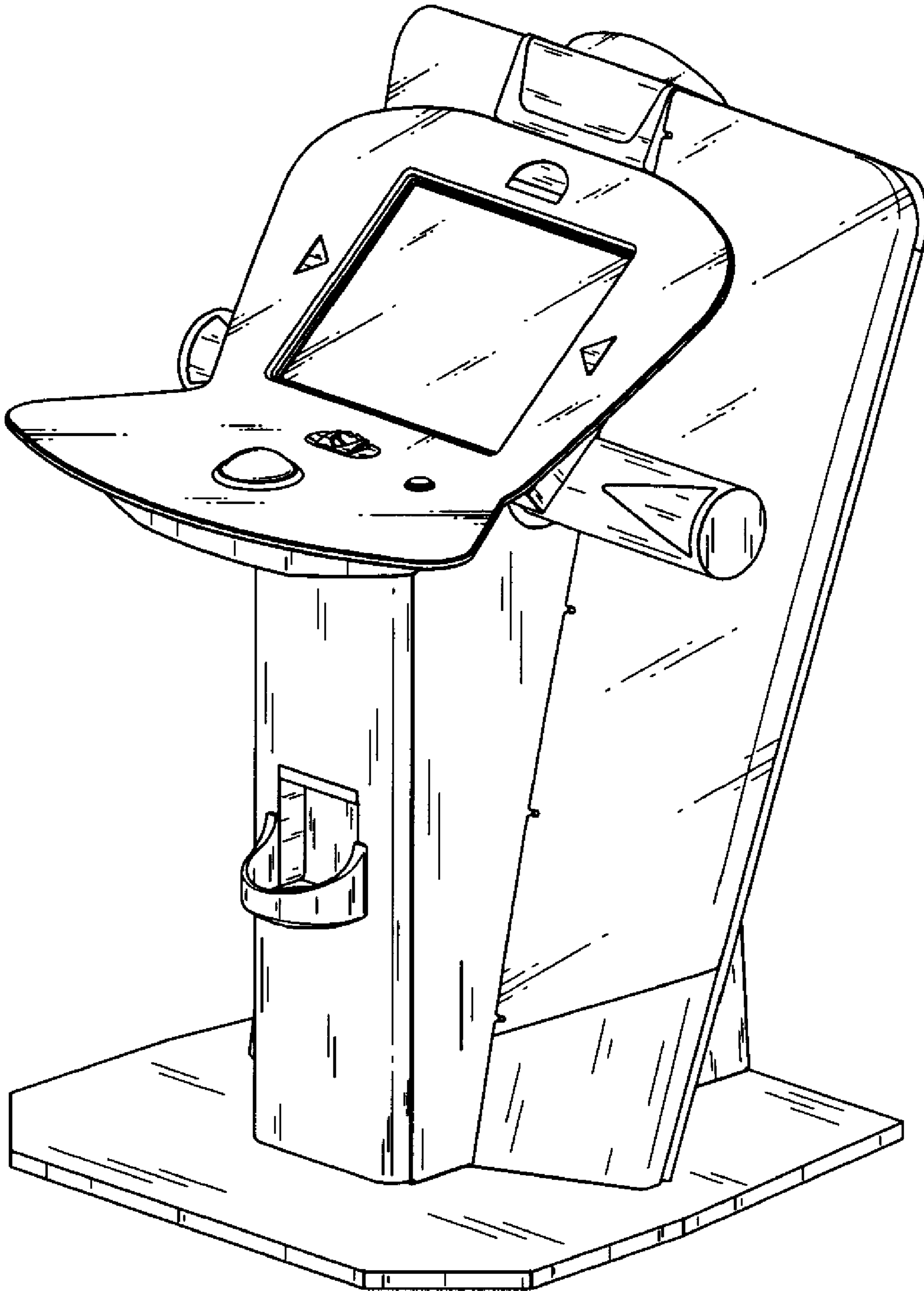


Fig.2

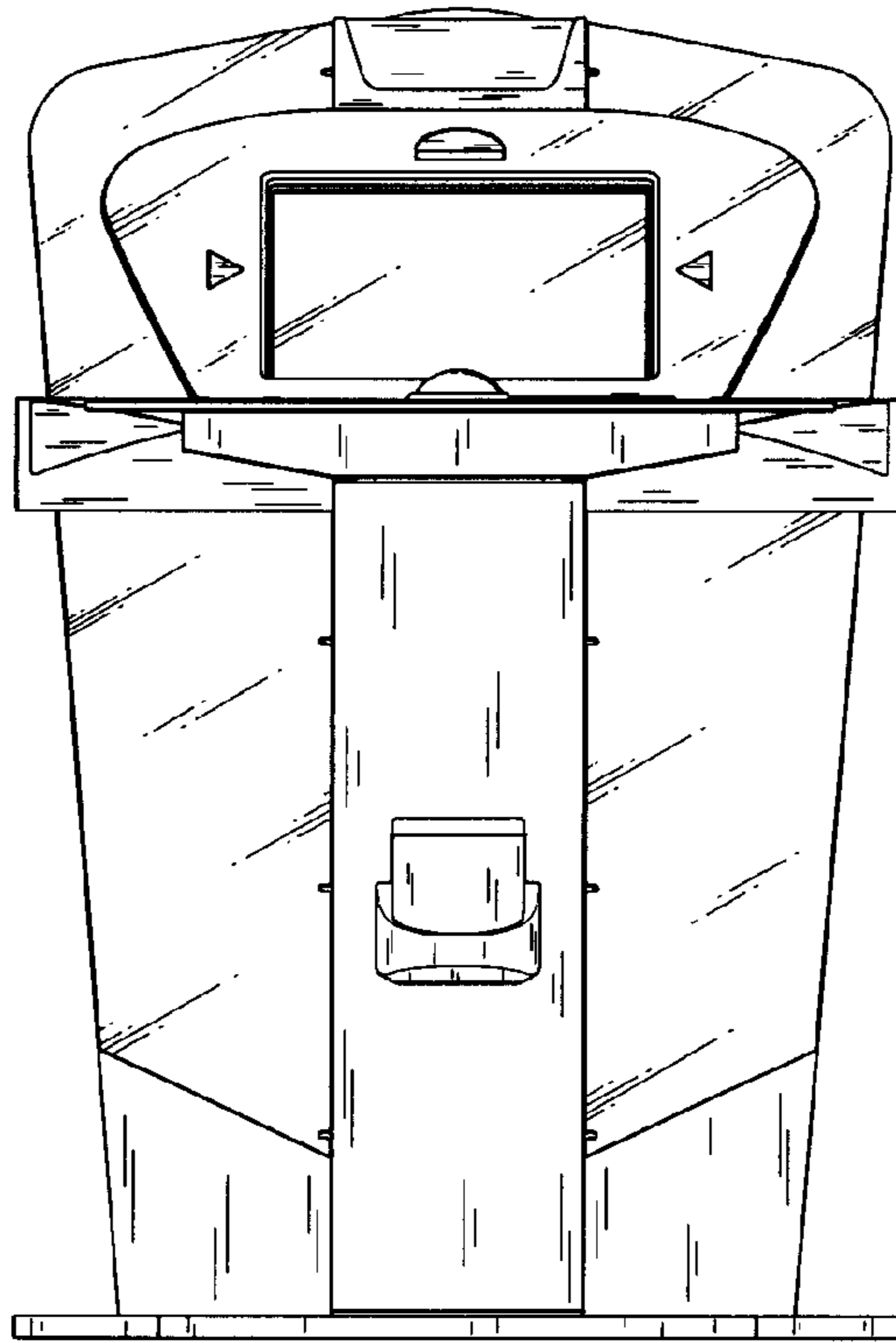


Fig.3

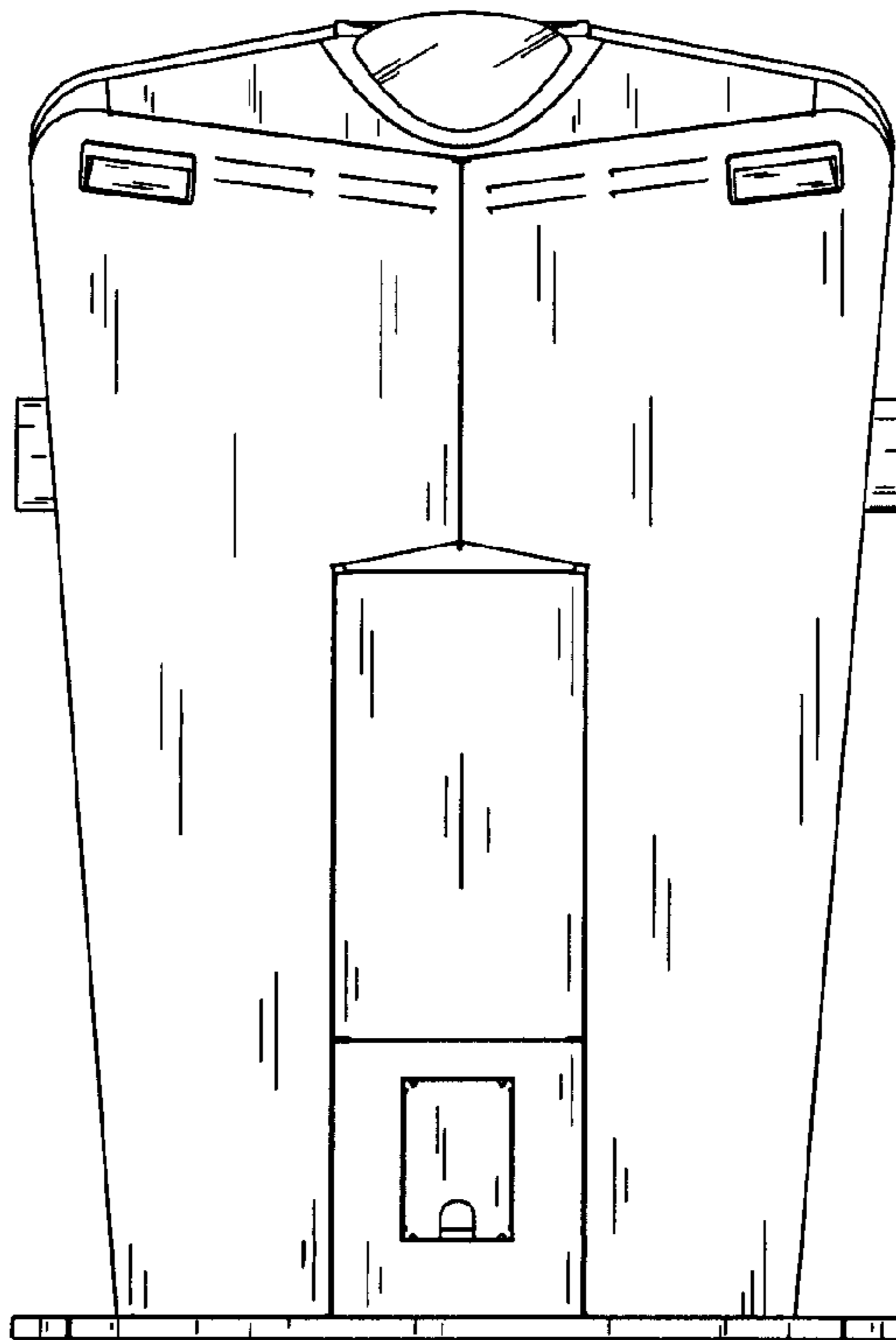


Fig.4

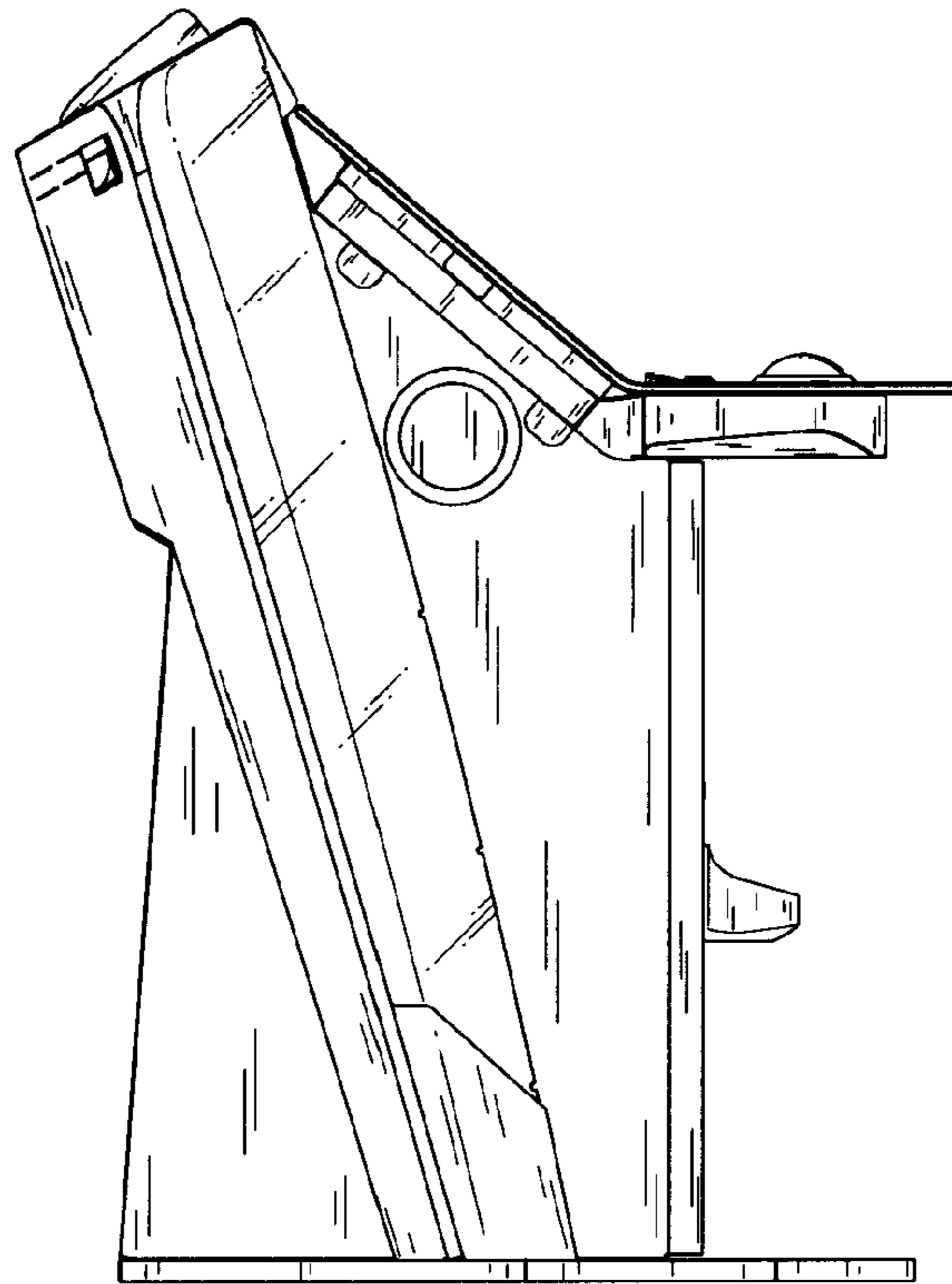


Fig.5

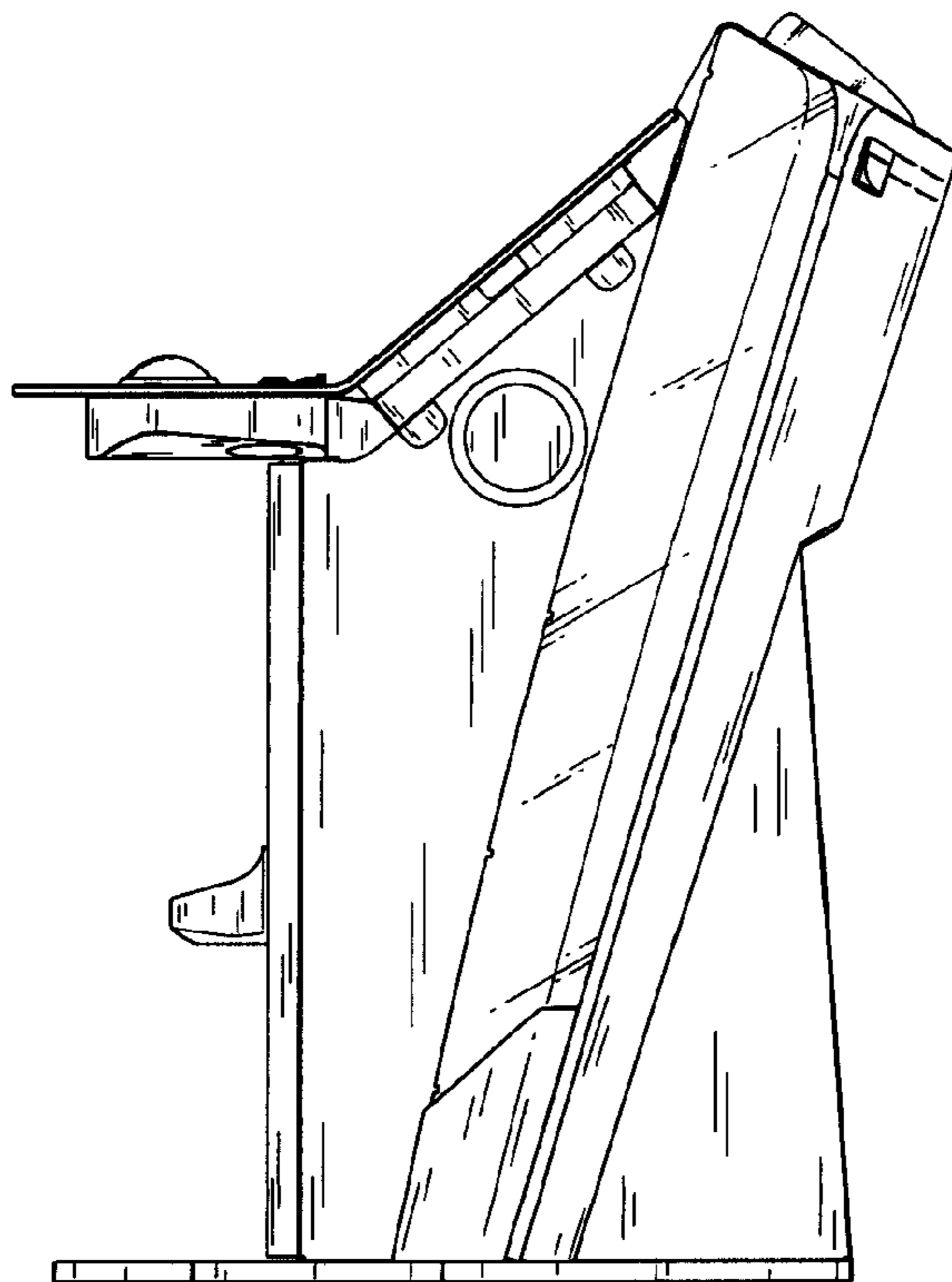


Fig.6

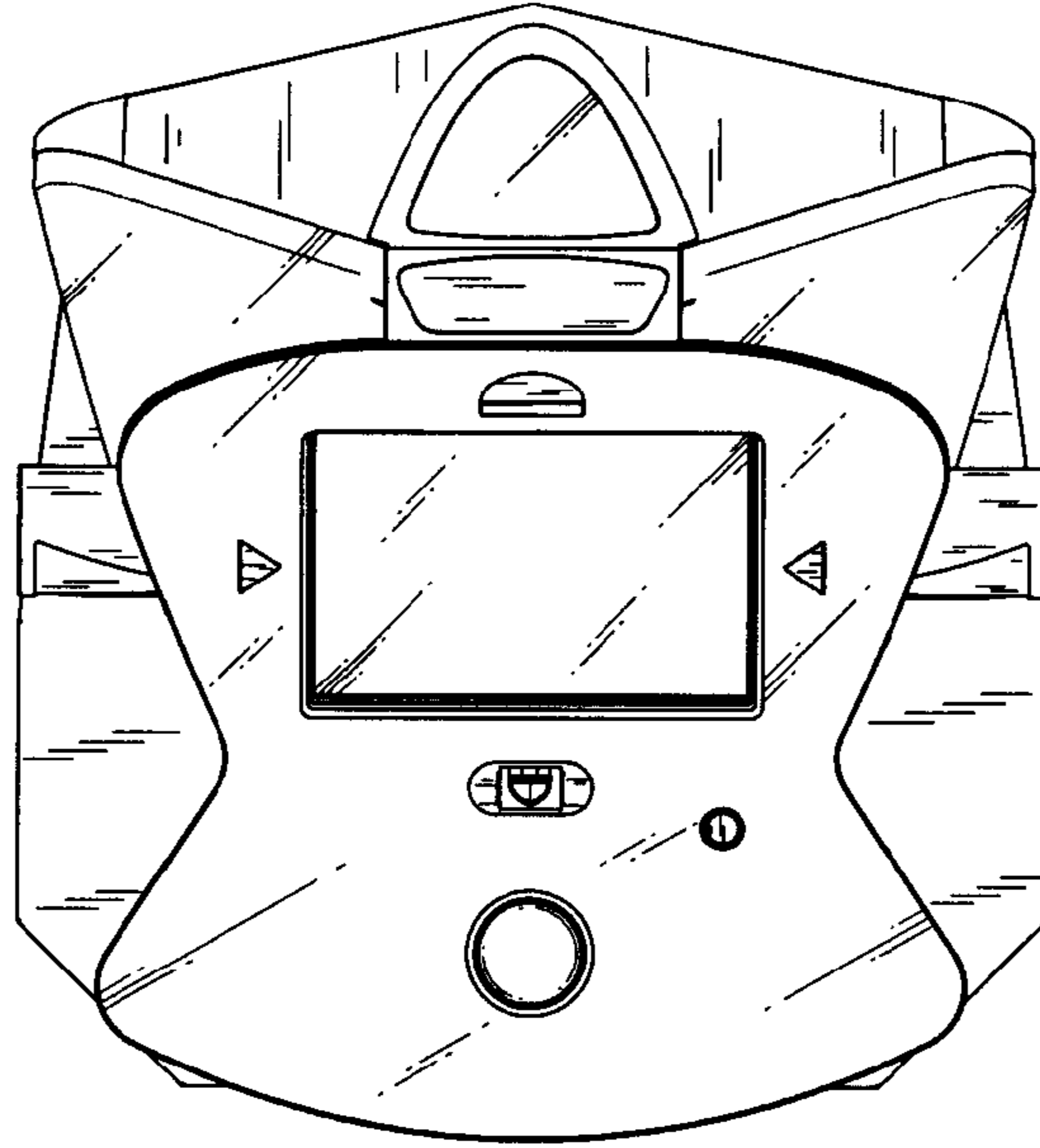
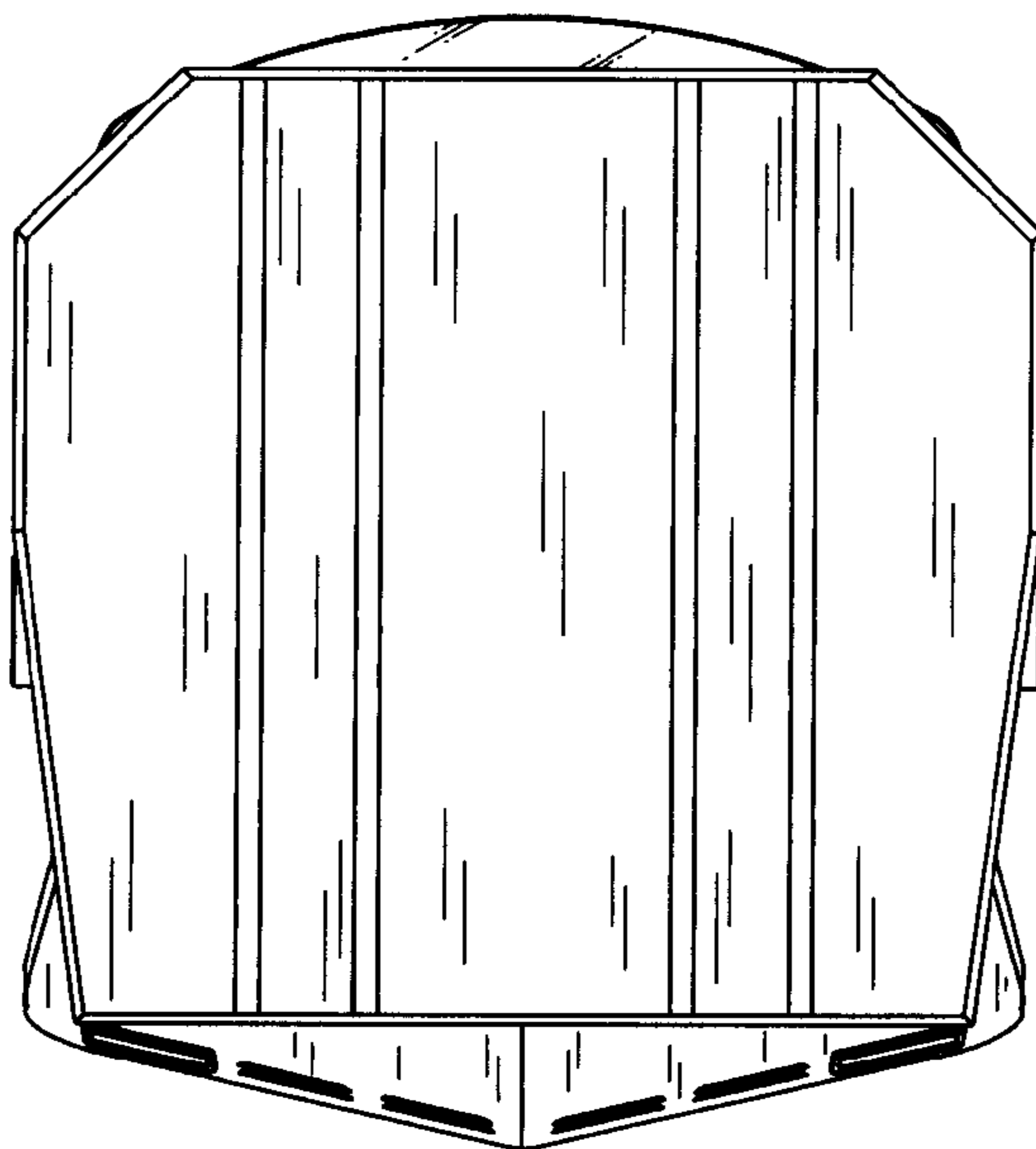


Fig.7



UNITED STATES PATENT AND TRADEMARK OFFICE  
**CERTIFICATE OF CORRECTION**

PATENT NO. : Des. 548,287 S  
APPLICATION NO. : 29/258783  
DATED : August 7, 2007  
INVENTOR(S) : Misao Yamanaka et al.

Page 1 of 1

It is certified that error appears in the above-identified patent and that said Letters Patent is hereby corrected as shown below:

Title page, item (30) Foreign Application Priority Data should read

-- October 28, 2005 (JP) ..... 2005-031719 --

Signed and Sealed this

Eighteenth Day of December, 2007

A handwritten signature in black ink on a light gray dotted background. The signature reads "Jon W. Dudas" in a cursive style.

JON W. DUDAS

*Director of the United States Patent and Trademark Office*