



US00D548284S

(12) **United States Design Patent**
Escobedo Zubia et al.

(10) **Patent No.:** **US D548,284 S**

(45) **Date of Patent:** **** Aug. 7, 2007**

(54) **CELLULAR TELEPHONE LABEL MEDIA SHEET**

(75) Inventors: **Jesus Hugo Escobedo Zubia**, Jaurez (MX); **Jay K. Sato**, Mission Viejo, CA (US)

(73) Assignee: **Avery Dennison Corporation**, Pasadena, CA (US)

(**) Term: **14 Years**

(21) Appl. No.: **29/257,652**

(22) Filed: **Apr. 6, 2006**

(51) **LOC (8) Cl.** **19-08**

(52) **U.S. Cl.** **D20/22**

(58) **Field of Classification Search** D20/10, D20/11, 22, 25-29, 40, 42, 99; 40/124.01, 40/124.02, 124.191, 299.01, 306, 360, 591, 40/625-627, 630, 636, 638, 643, 675; 428/40.1, 428/41.8, 42.3, 80, 131, 914; 283/56, 81, 283/101; D14/217; 156/230; 345/169; 396/2; 400/490

See application file for complete search history.

(56) **References Cited**

U.S. PATENT DOCUMENTS

4,420,520	A *	12/1983	Jones et al.	428/42.3
4,847,130	A *	7/1989	Cooper	428/41.8
6,177,925	B1 *	1/2001	Soloway	345/169
6,408,132	B1 *	6/2002	Ishikawa	396/2
D522,064	S *	5/2006	Trigg et al.	D20/27
D522,066	S *	5/2006	Trigg et al.	D20/27

D523,090	S *	6/2006	Trigg et al.	D20/27
2003/0161672	A1 *	8/2003	Roberson	400/490
2005/0022924	A1 *	2/2005	Blackburn	156/230
2006/0040081	A1 *	2/2006	Hodsdon et al.	428/40.1
2006/0228508	A1 *	10/2006	Flynn et al.	428/40.1

OTHER PUBLICATIONS

Skinit [online]. [retrieved on Jun. 9, 2006]. <URL:www.skinit.com>.

Skuff Skins [online]. [retrieved on Jun. 9, 2006]. <URL:www.skuffskins.com>.

* cited by examiner

Primary Examiner—Robert M. Spear

Assistant Examiner—Mary Ann Calabrese

(74) *Attorney, Agent, or Firm*—Patent Group Law Department

(57) **CLAIM**

What is claimed is the ornamental design for a cellular telephone label media sheet, as shown and described.

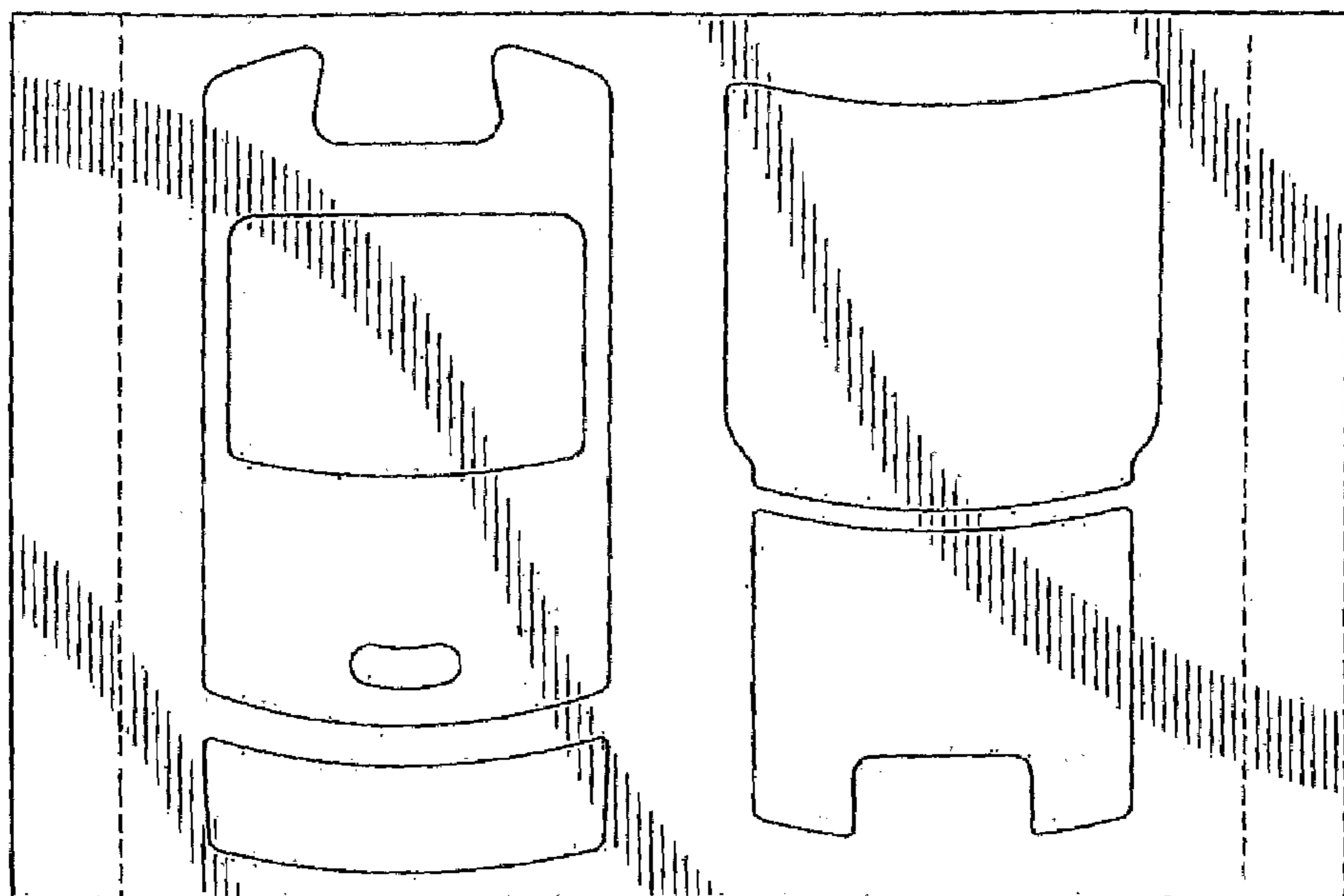
DESCRIPTION

FIG. 1 is a top plan view of the cellular telephone label media sheet, showing my new design: and,

FIG. 2 is a top plan view of a second embodiment the cellular telephone label media sheet.

In the drawings, the broken lines are for illustrative purposes only and form no part of the claimed design. The bottom view of each embodiment forms no part of the claimed design.

1 Claim, 2 Drawing Sheets



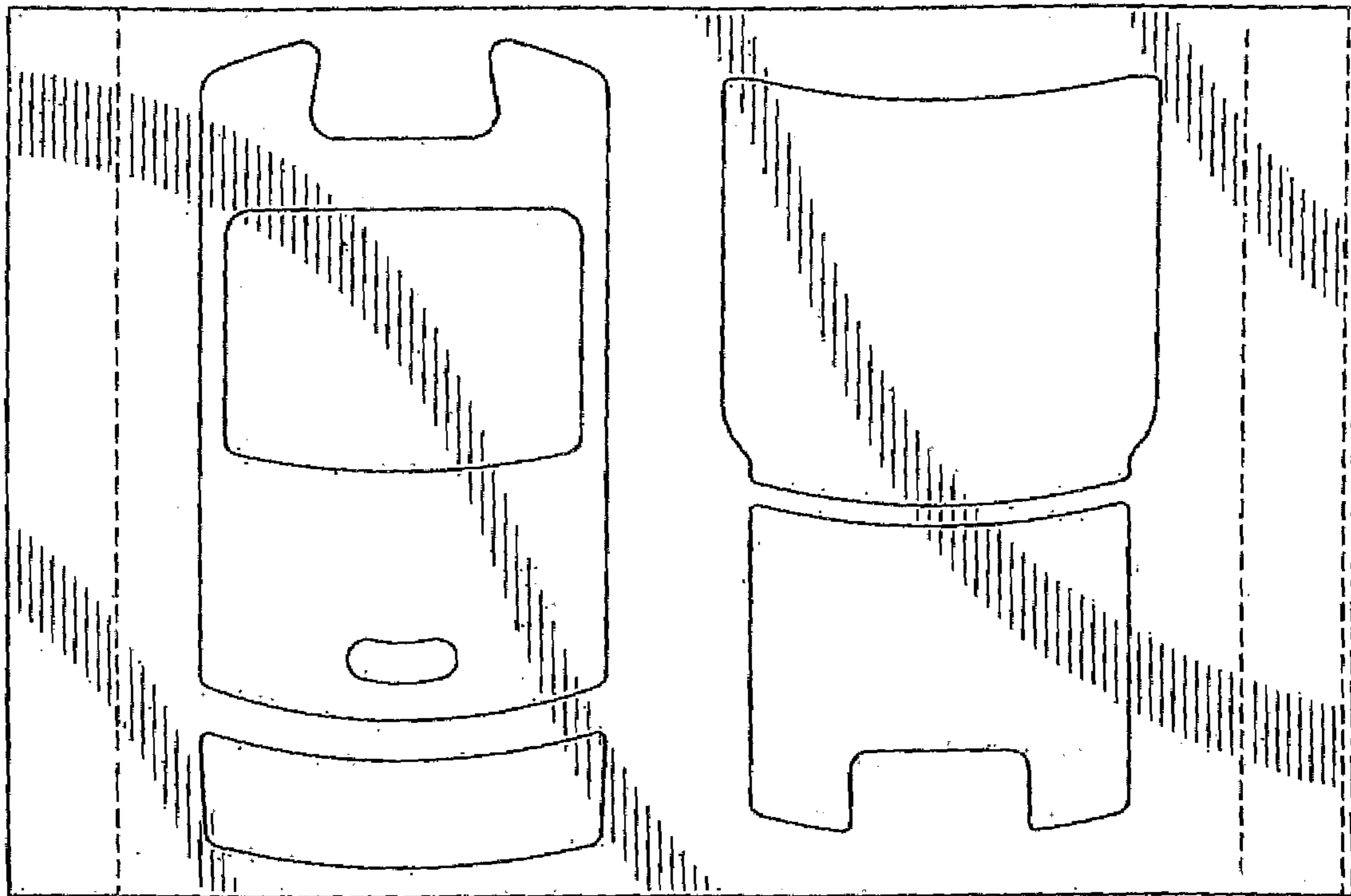


FIG. 1

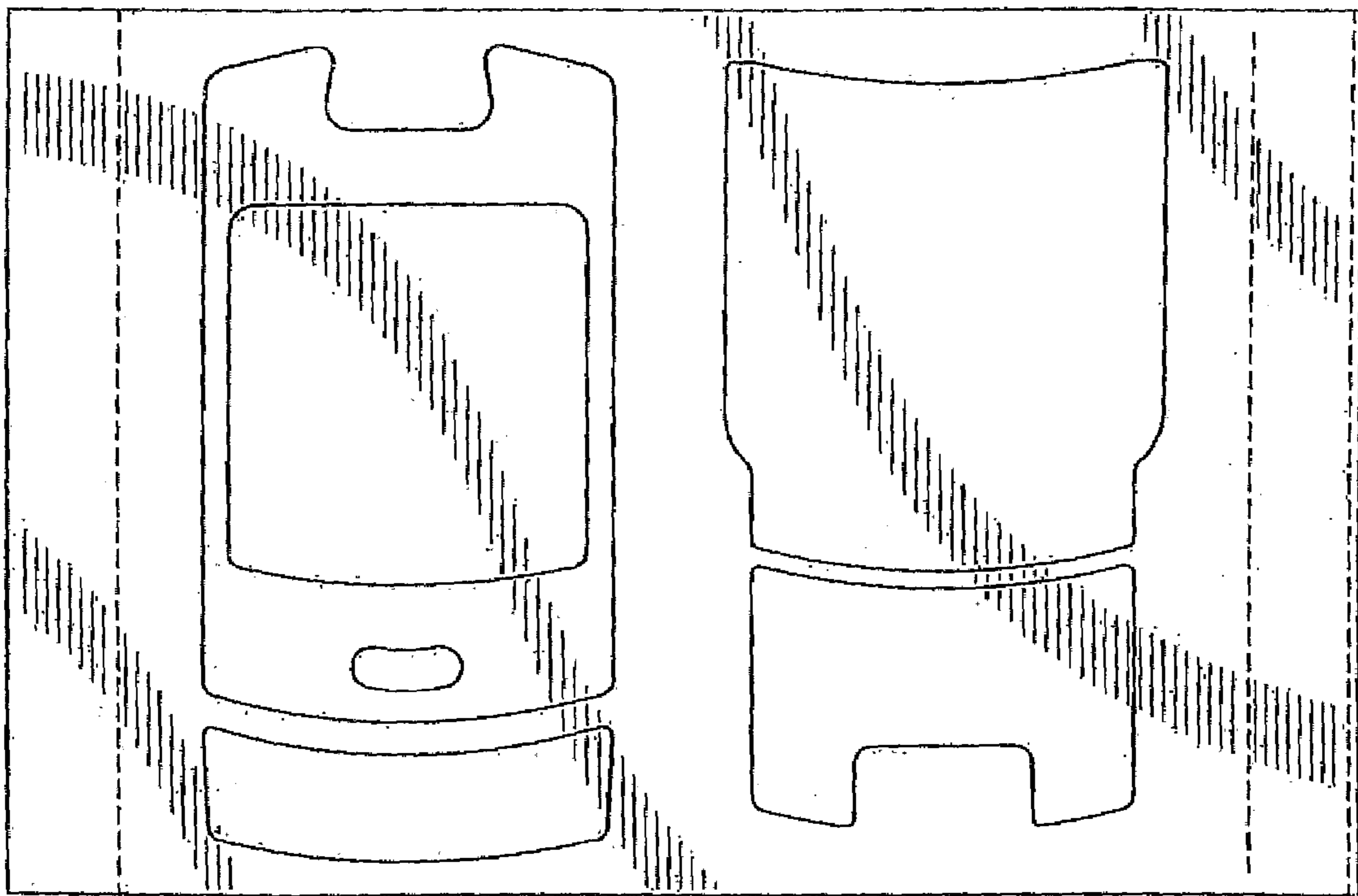


FIG. 2