

US00D548278S

(12) **United States Design Patent**
Wood et al.

(10) **Patent No.:** **US D548,278 S**

(45) **Date of Patent:** **** Aug. 7, 2007**

(54) **PRINTER**

(75) Inventors: **Ken Wood**, Portola Valley, CA (US);
Jeff Smith, San Mateo, CA (US); **Sam Lucente**, San Francisco, CA (US);
Shizunori Kobara, Foster City, CA (US); **John Guenther**, Aptos, CA (US);
Jeff Hofer, San Jose, CA (US)

(73) Assignee: **Hewlett-Packard Development Company, L.P.**, Houston, TX (US)

(**) Term: **14 Years**

(21) Appl. No.: **29/251,195**

(22) Filed: **Jan. 4, 2006**

(51) **LOC (8) Cl.** **14-02**

(52) **U.S. Cl.** **D18/50**

(58) **Field of Classification Search** D18/14,
D18/36-39, 46-49, 50, 53, 54, 54.1, 55, 4.4,
D18/12; D14/420-425, 462-470; 399/107;
400/613, 613.1-613.4, 690.1-690.4, 691-694
See application file for complete search history.

(56) **References Cited**

U.S. PATENT DOCUMENTS

4,641,980 A * 2/1987 Matsumoto et al. 400/693
D291,094 S * 7/1987 Nakade D18/55
5,019,839 A * 5/1991 Watanabe et al. D18/55
D317,785 S * 6/1991 Norris et al. D18/54
5,020,926 A * 6/1991 Wilhelm 400/693

D318,483 S * 7/1991 Tashiro D18/55
D318,871 S * 8/1991 Takeda et al. D18/36
D319,461 S * 8/1991 Esslinger D18/55
D322,091 S * 12/1991 Tokuda D18/54
D334,022 S * 3/1993 Byun D18/50
D381,678 S * 7/1997 Nakamura D18/50
6,132,122 A * 10/2000 Robinson et al. 400/691
6,474,884 B2 * 11/2002 Chiu 400/691
6,923,584 B2 * 8/2005 Namekawa et al. 400/693
7,070,350 B2 * 7/2006 Inokuchi et al. 400/691
D535,324 S * 1/2007 Park et al. D18/50
2003/0138280 A1 * 7/2003 Namekawa et al. 400/693

* cited by examiner

Primary Examiner—Cathy Anne MacCormac

(57) **CLAIM**

The ornamental design for a printer, as shown and described.

DESCRIPTION

FIG. 1 is a right-front-top perspective view of a printer showing the new design;

FIG. 2 is a left-rear-bottom perspective view thereof;

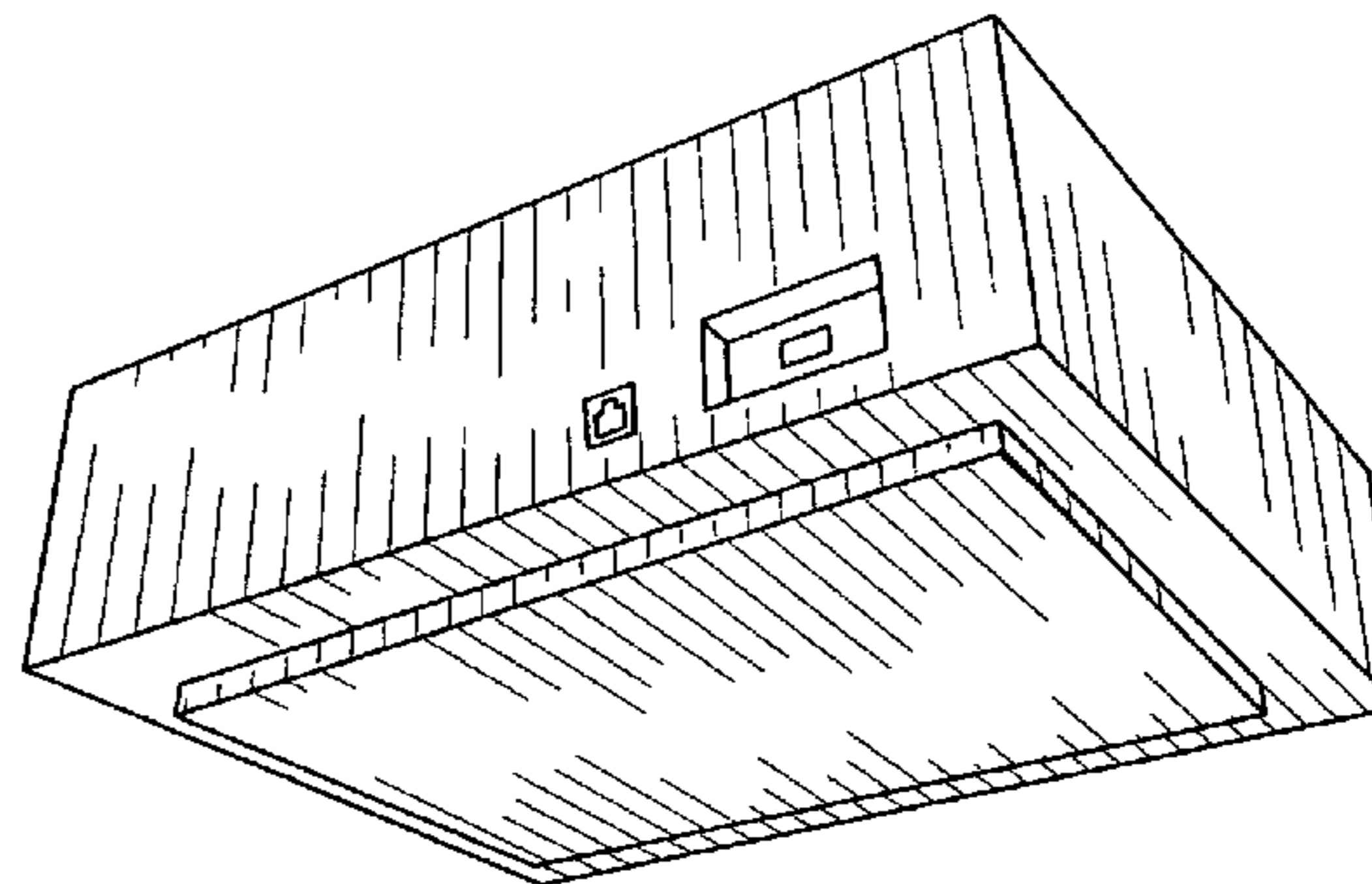
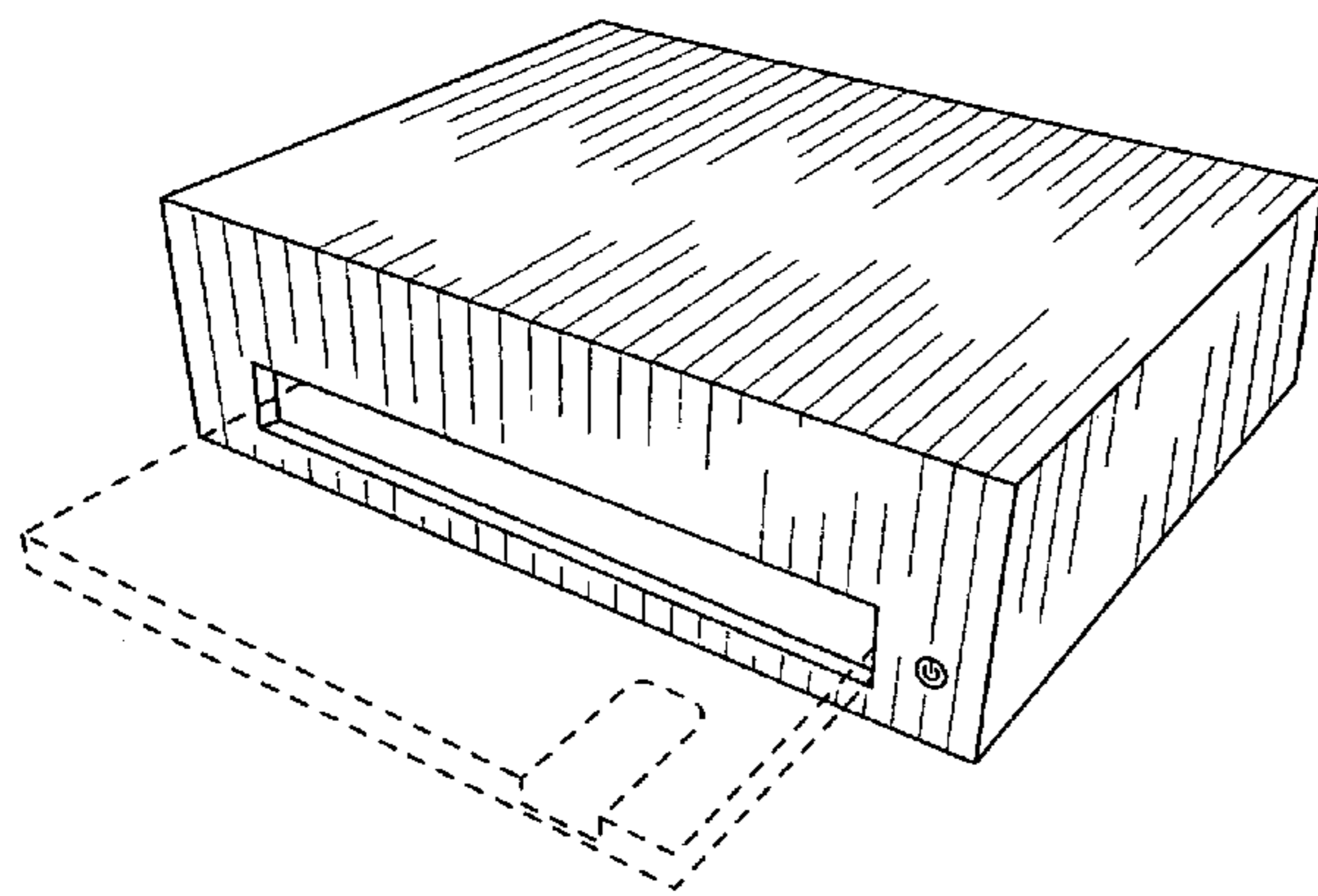
FIG. 3 is a front elevation view thereof;

FIG. 4 is a rear elevation view thereof; and,

FIG. 5 is a left side elevation view thereof.

The broken lines showing the paper tray are for illustrative purposes only and form no part of the claimed design.

1 Claim, 2 Drawing Sheets



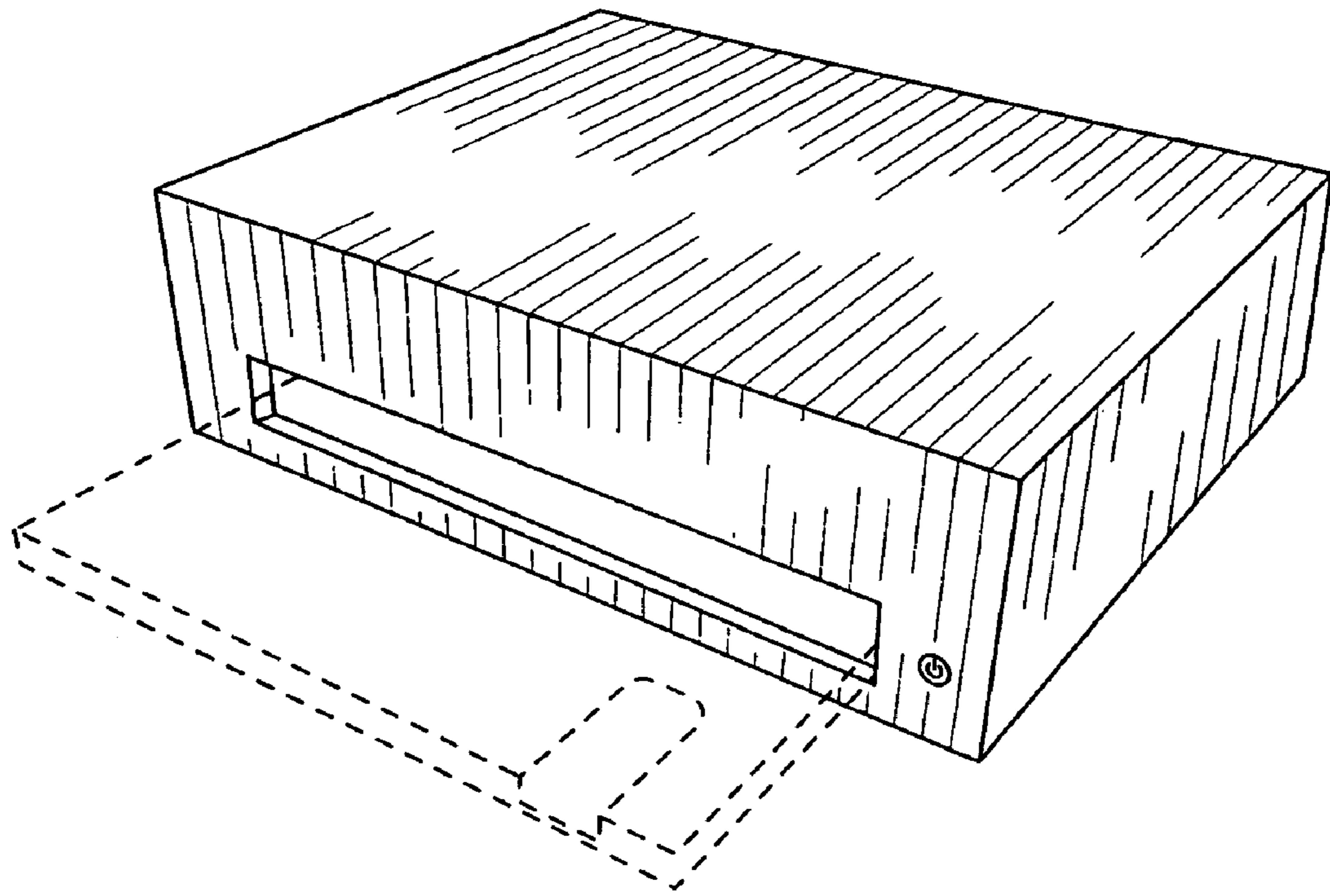


FIG. 1

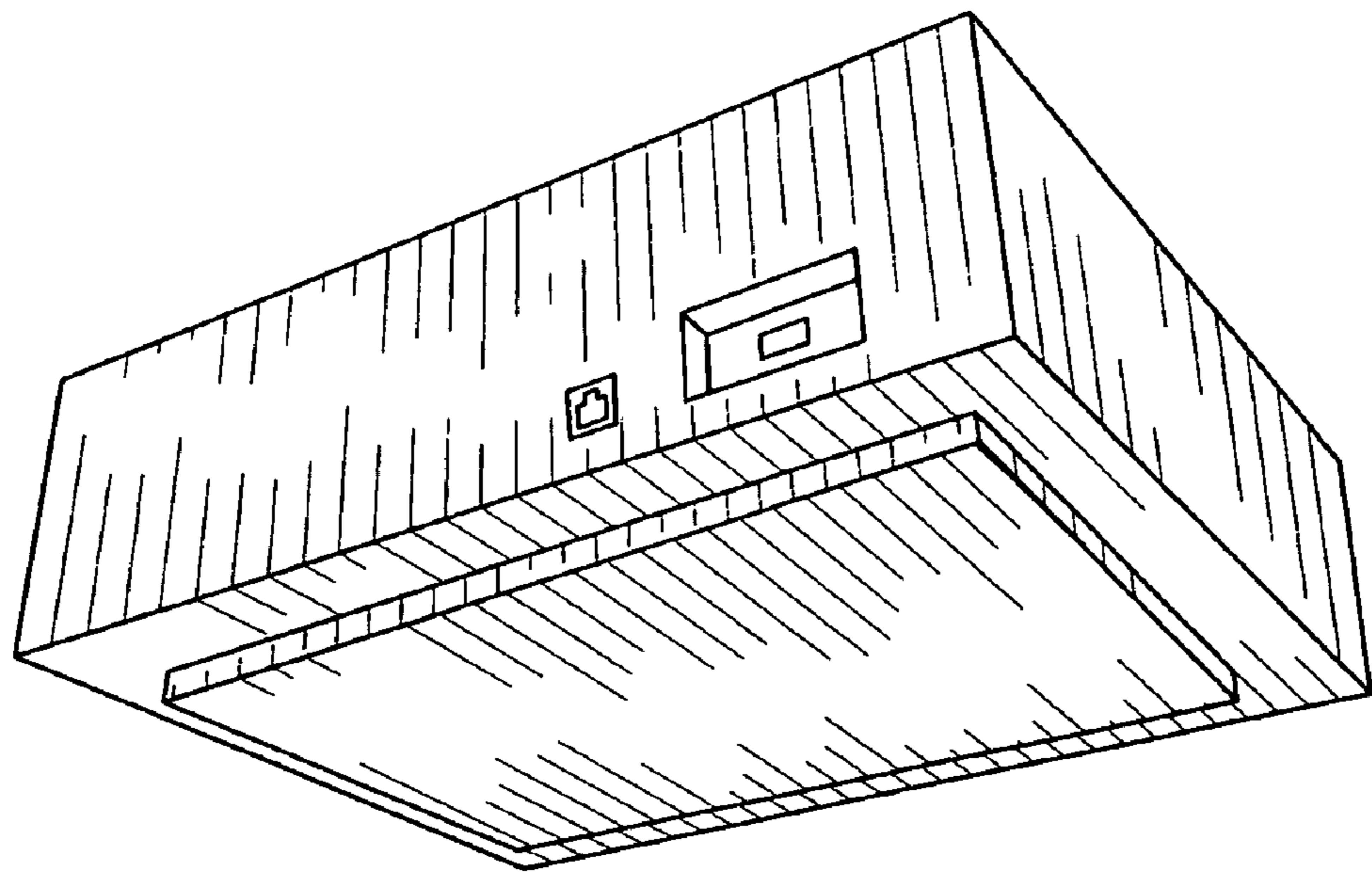


FIG. 2

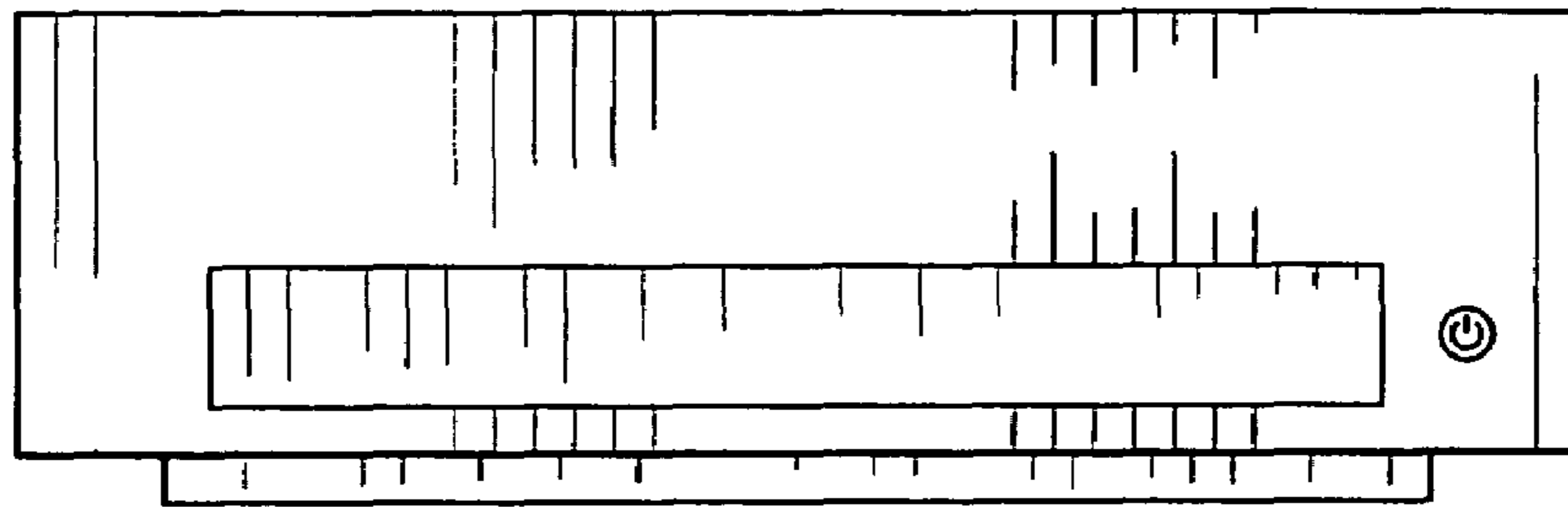


FIG. 3

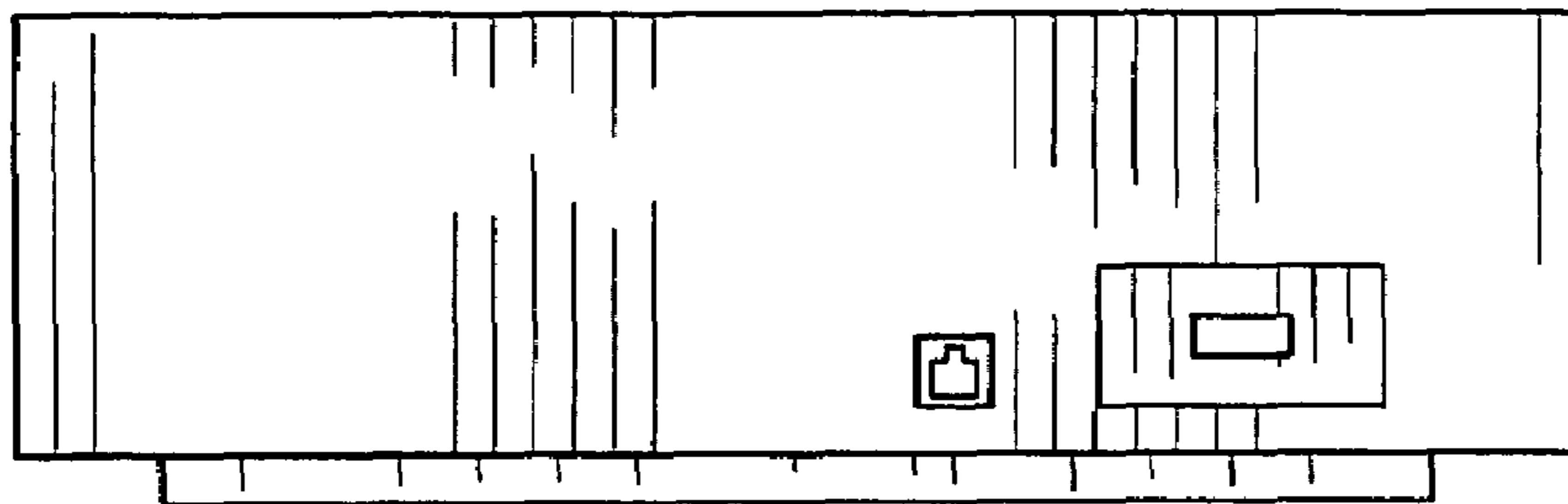


FIG. 4

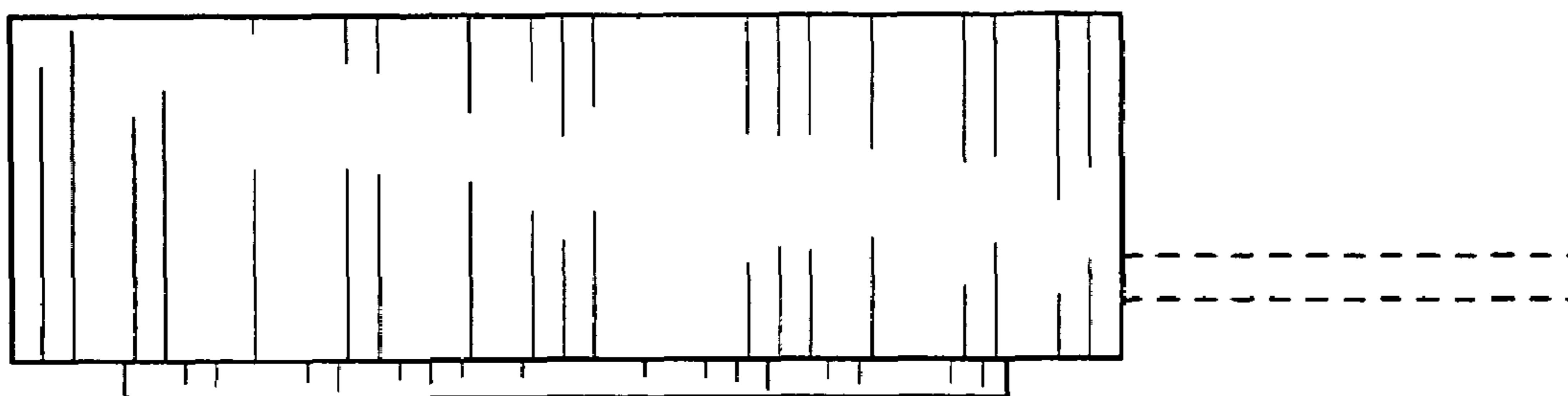


FIG. 5