



US00D548264S

(12) **United States Design Patent**
Sakamaki et al.

(10) **Patent No.:** **US D548,264 S**

(45) **Date of Patent:** **** Aug. 7, 2007**

(54) **PROJECTOR**

2006/0132728 A1* 6/2006 Kim et al. 353/119

(75) Inventors: **Isao Sakamaki**, Matsumoto (JP);
Akitoshi Kuroda, Yamagata-mura (JP)

* cited by examiner

(73) Assignee: **Seiko Epson Corporation**, Tokyo (JP)

Primary Examiner—Ian Simmons

Assistant Examiner—W. Laymon

(74) *Attorney, Agent, or Firm*—Oliff & Berridge, PLC

(**) Term: **14 Years**

(57) **CLAIM**

(21) Appl. No.: **29/262,369**

The ornamental design for a projector, as shown and described.

(22) Filed: **Jul. 3, 2006**

(30) **Foreign Application Priority Data**

DESCRIPTION

Mar. 3, 2006 (JP) 2006-005347

(51) **LOC (8) Cl.** **16-02**

(52) **U.S. Cl.** **D16/230; D16/221; D16/225**

(58) **Field of Classification Search** D16/205,
D16/208, 213, 221, 225, 229, 230, 231, 234;
D21/514; 353/70, 100, 101, 115, 119, 122
See application file for complete search history.

FIG. 1 is a perspective view of a projector showing our new design;

FIG. 2 is a front view thereof;

FIG. 3 is a rear view thereof;

FIG. 4 is a left-side view thereof;

FIG. 5 is a right-side view thereof;

FIG. 6 is a top view thereof;

FIG. 7 is a bottom view thereof; and,

FIG. 8 is a perspective thereof, with the cover shown in a closed position.

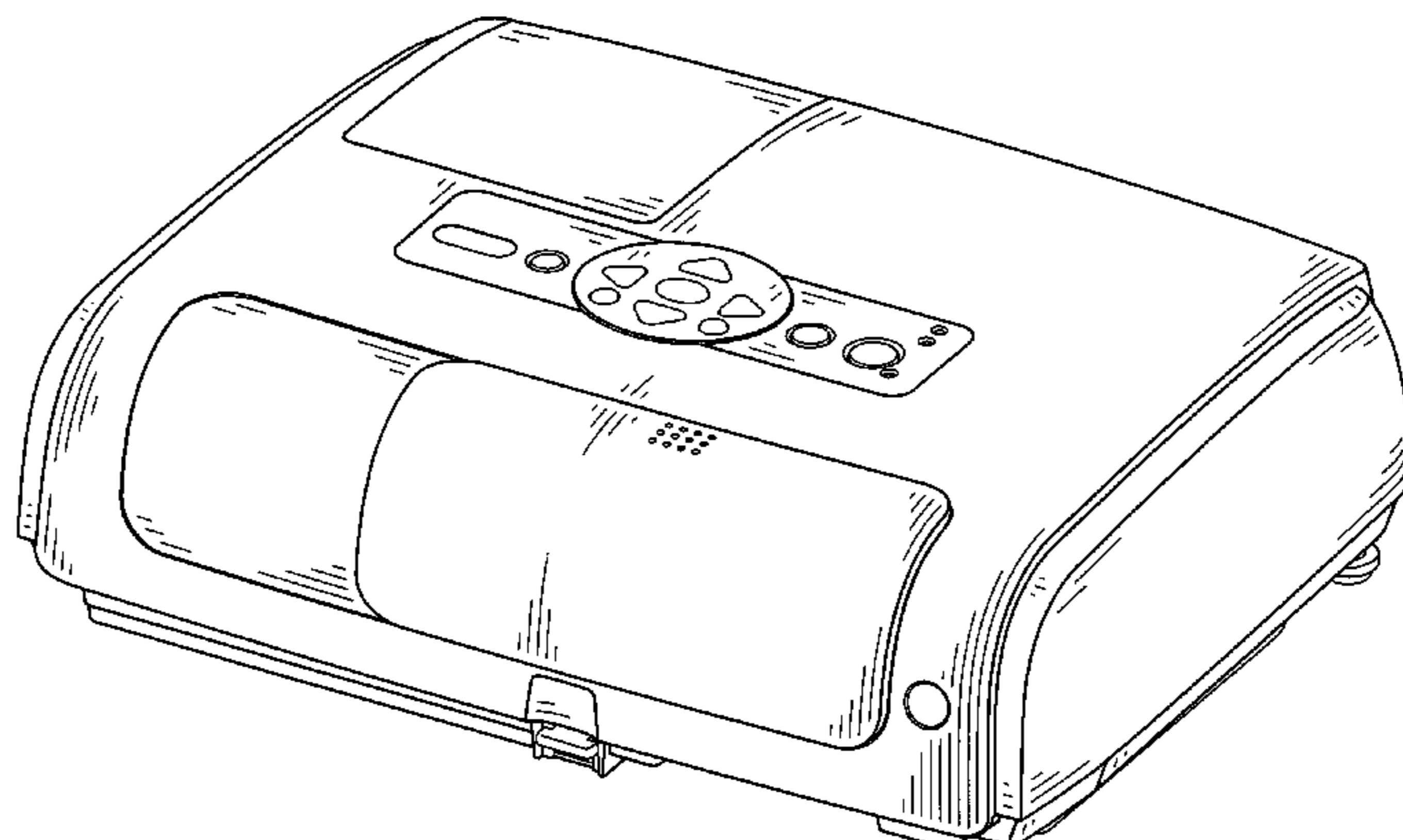
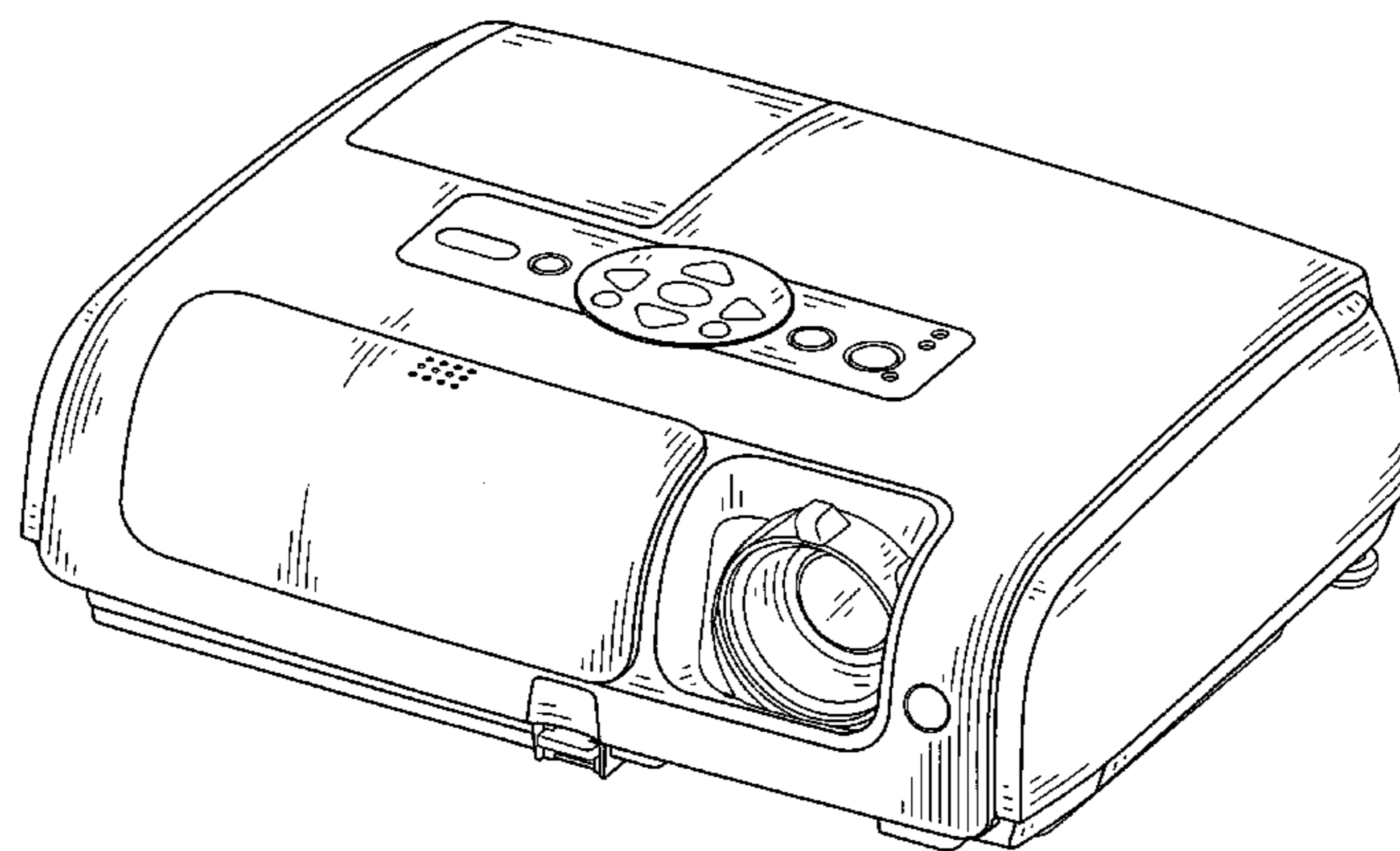
(56) **References Cited**

U.S. PATENT DOCUMENTS

- D339,817 S * 9/1993 Fukuda et al. D16/230
- D414,794 S * 10/1999 Isono D16/230
- D454,361 S * 3/2002 Saeki et al. D16/231
- D457,179 S * 5/2002 Saeki et al. D16/230
- D502,486 S * 3/2005 Kawasaki et al. D16/230
- 2004/0239897 A1* 12/2004 Ogawa et al. 353/119

The portion of the projector in broken lines is shown for illustrative purpose only and forms no part of the claimed design.

1 Claim, 6 Drawing Sheets



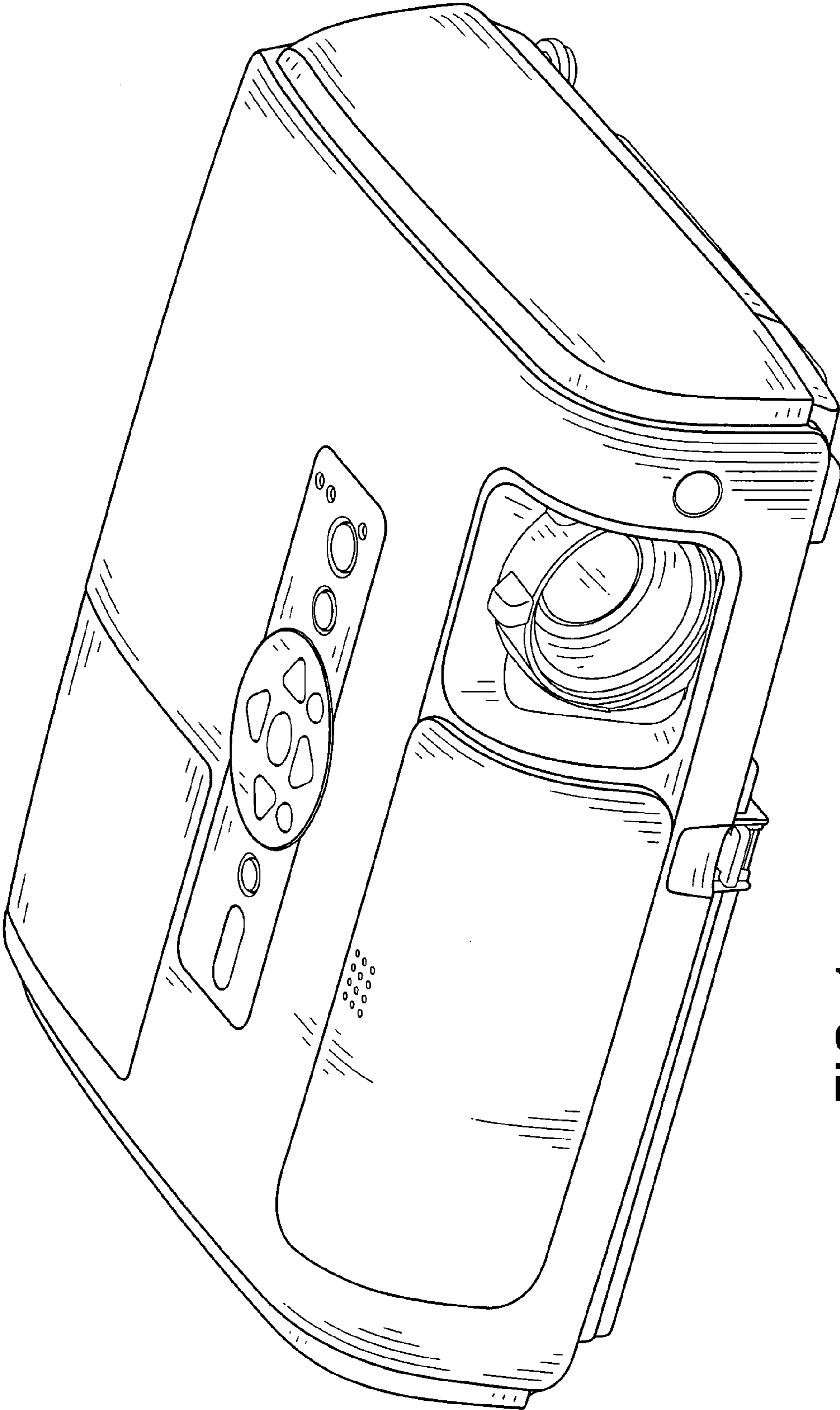


FIG. 1

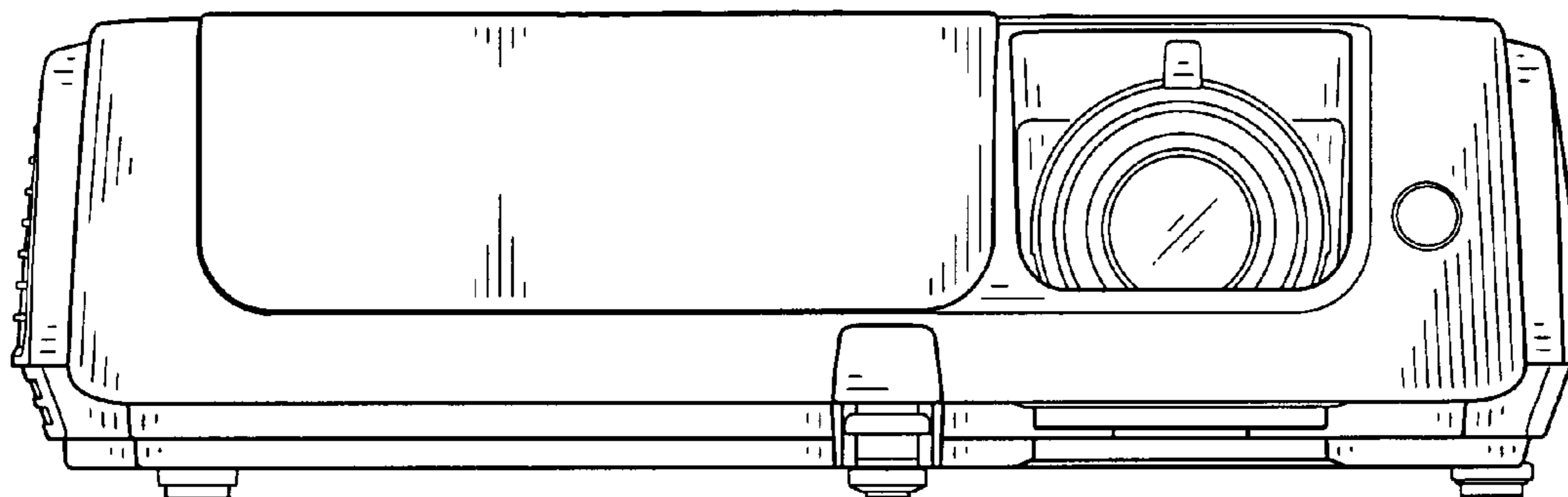


FIG. 2

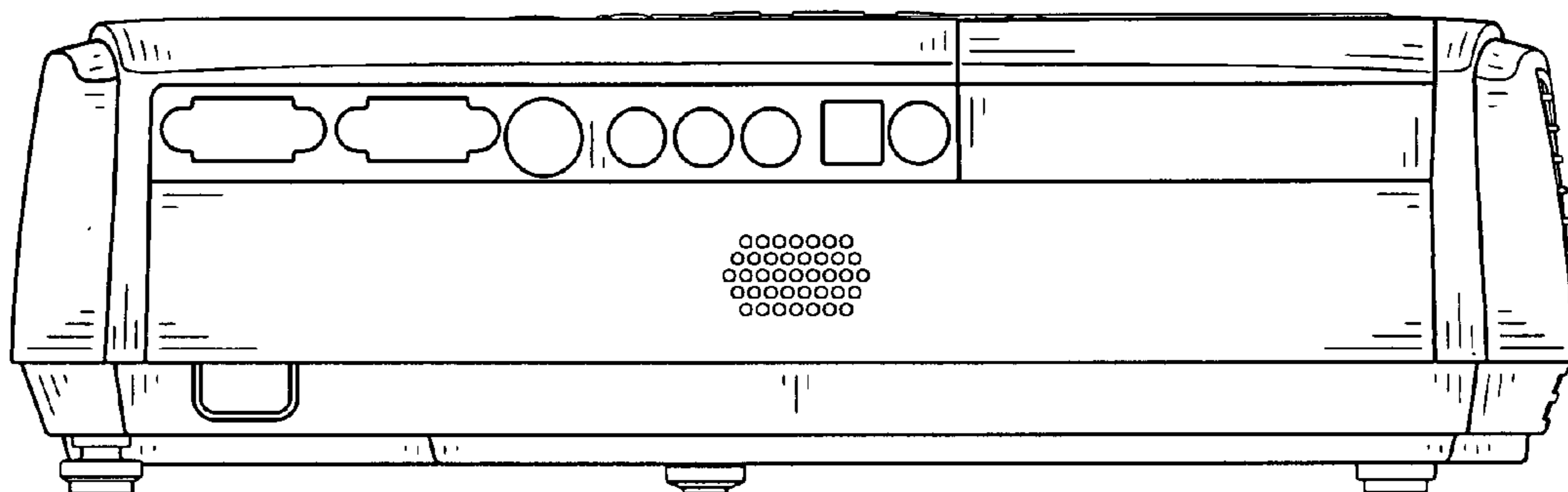


FIG. 3

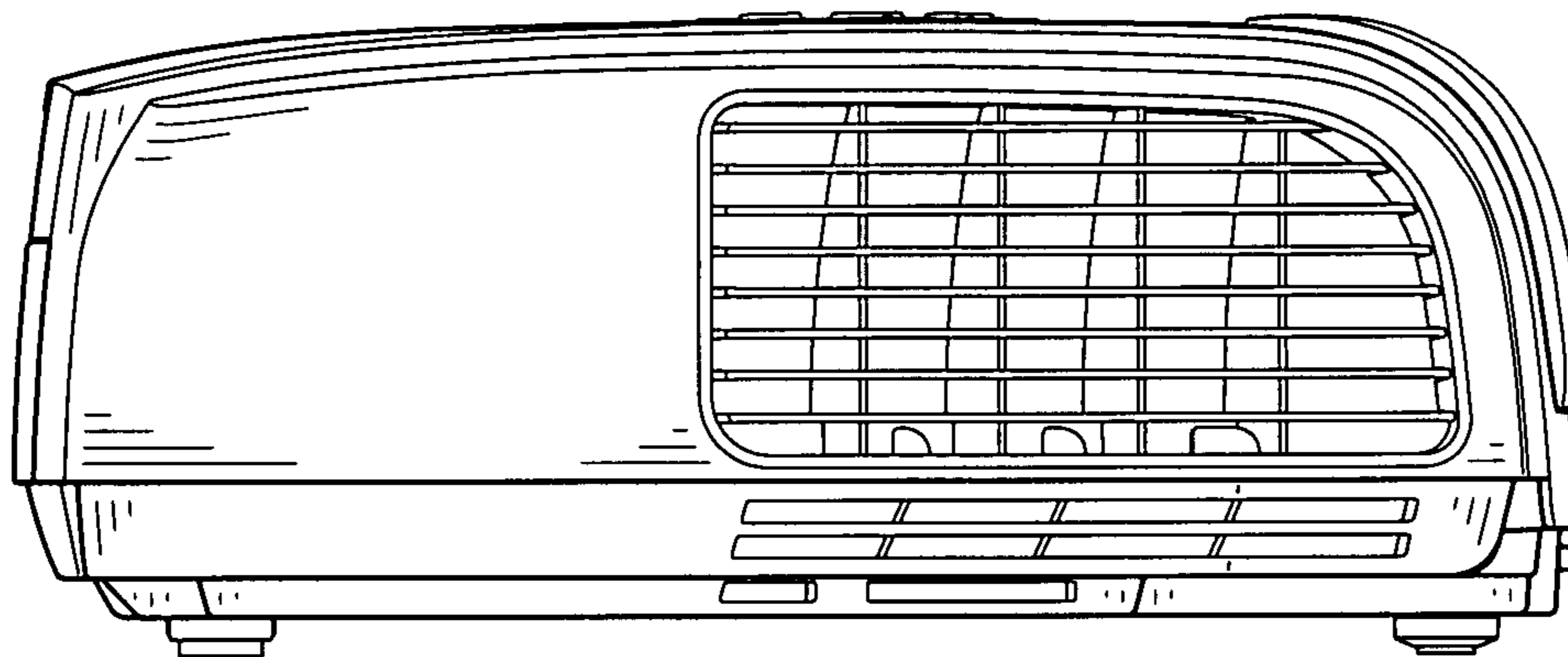


FIG. 4

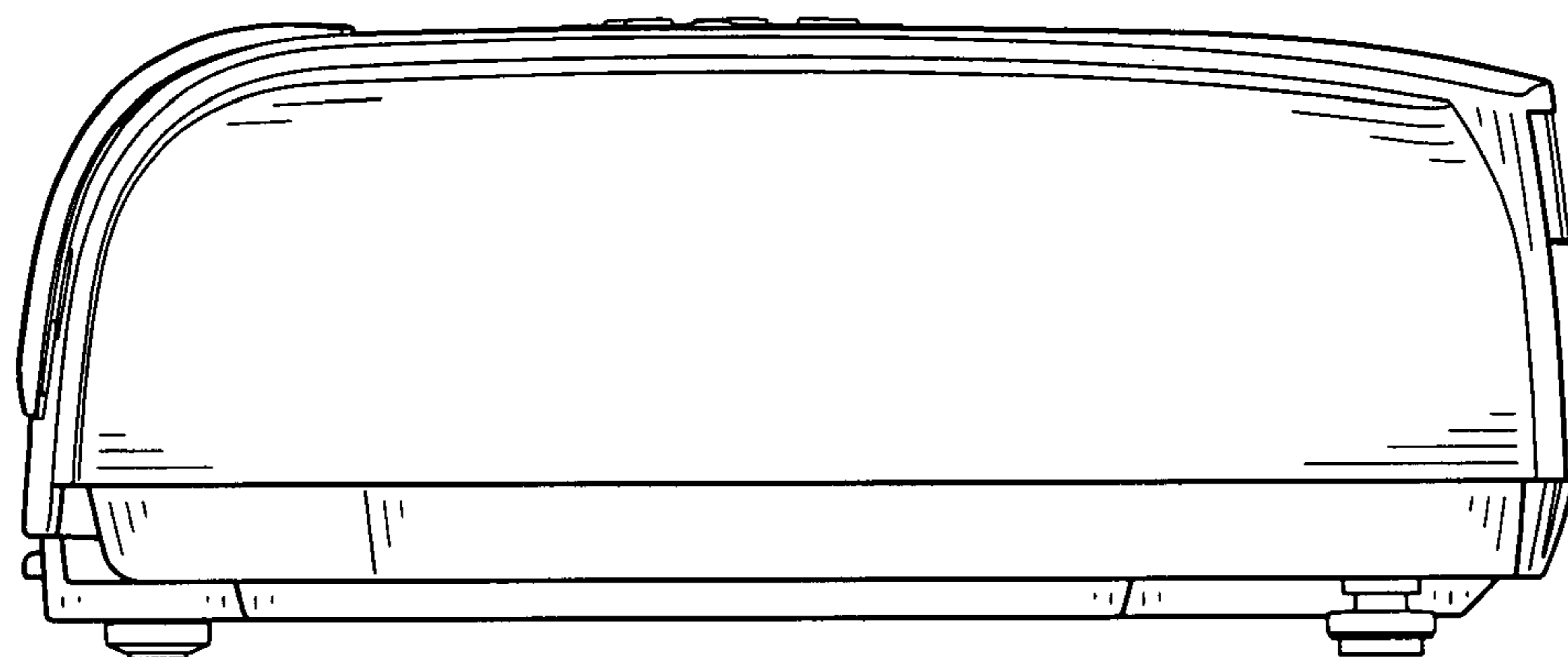


FIG. 5

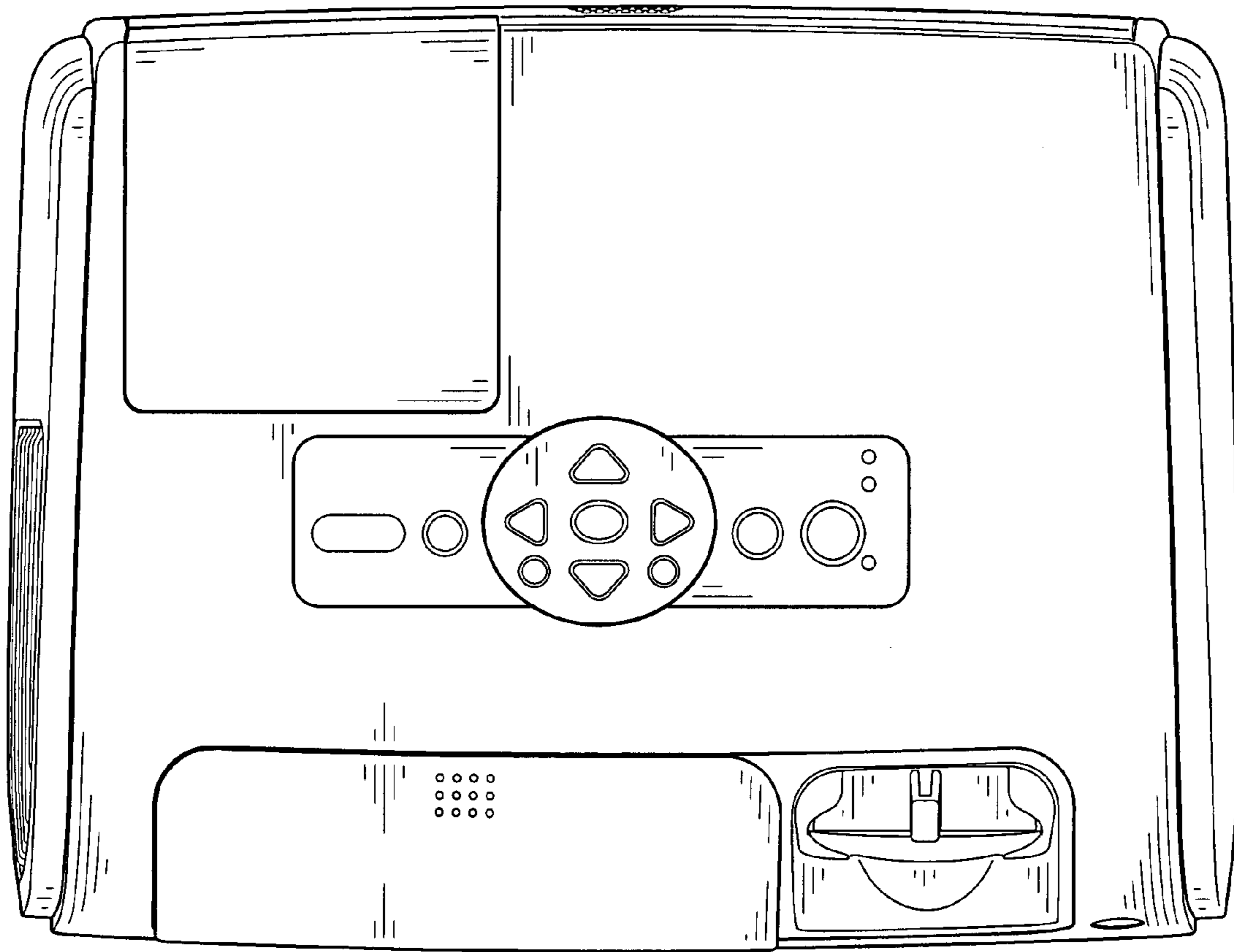


FIG. 6

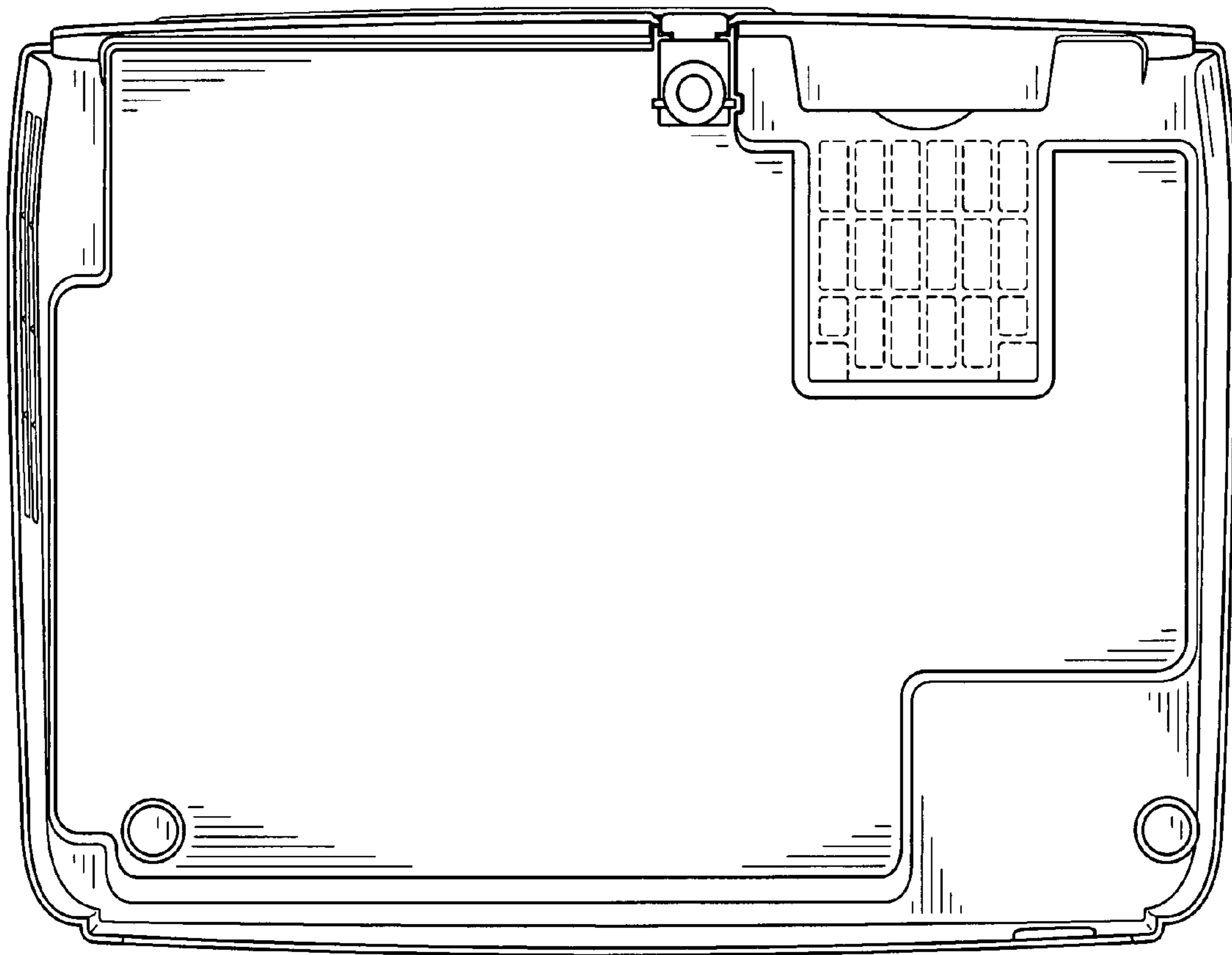


FIG. 7

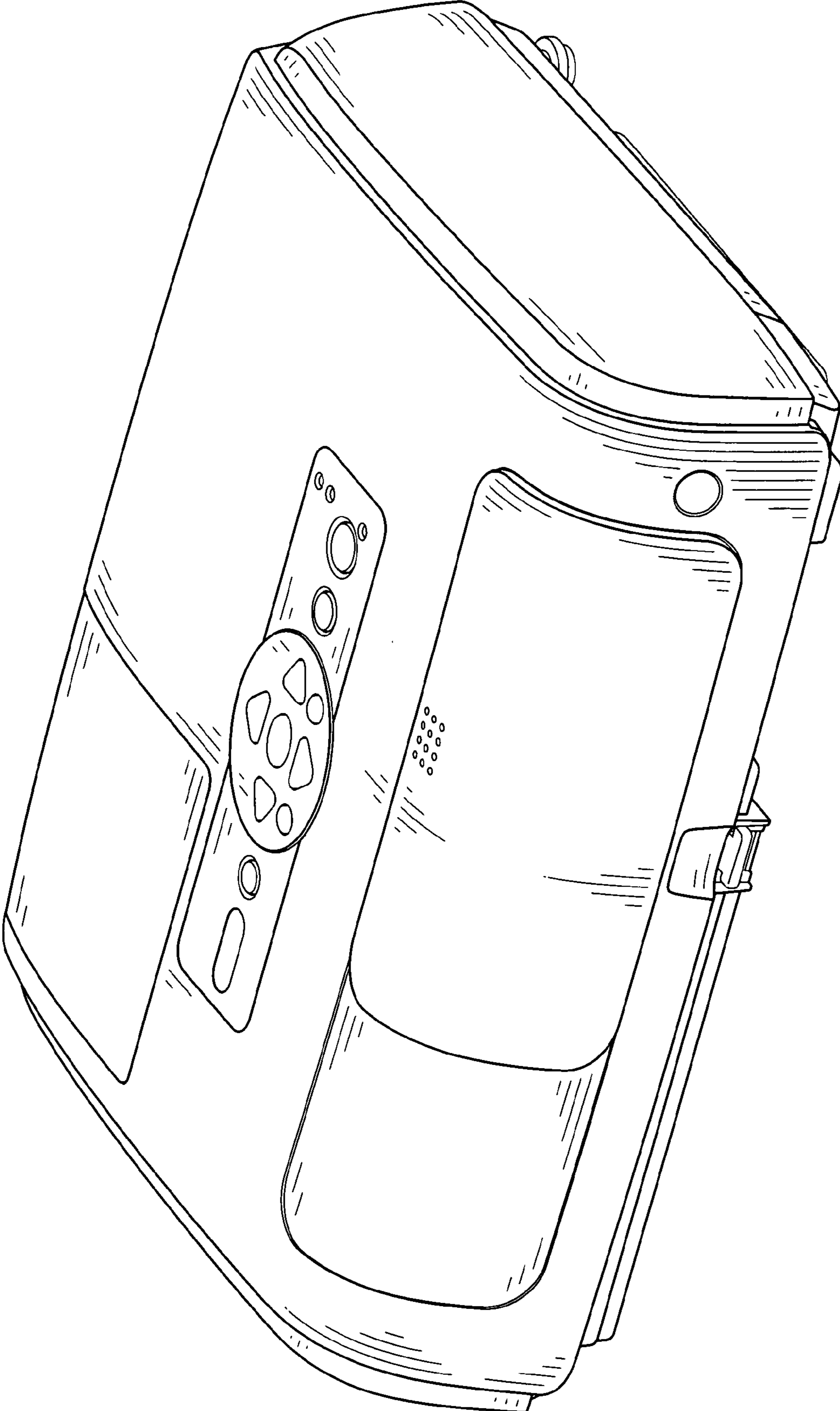


FIG. 8