

US00D548263S

(12) **United States Design Patent**  
**Nakanishi**

(10) **Patent No.:** **US D548,263 S**

(45) **Date of Patent:** **\*\* Aug. 7, 2007**

(54) **VIDEO PROJECTOR**

D491,973 S \* 6/2004 Morishita et al. .... D16/230  
D492,339 S \* 6/2004 Niitsu ..... D16/230

(75) Inventor: **Yutaka Nakanishi**, Machida (JP)

\* cited by examiner

(73) Assignee: **Victor Company of Japan, Limited**,  
Yokohama-shi, Kanagawa (JP)

*Primary Examiner*—Ian Simmons

*Assistant Examiner*—W. Laymon

(\*\*) Term: **14 Years**

(74) *Attorney, Agent, or Firm*—The Nath Group; Jerald L.  
Meyer; Derek Richmond

(21) Appl. No.: **29/245,483**

(57) **CLAIM**

(22) Filed: **Dec. 27, 2005**

The ornamental design for a video projector, as shown and  
described.

(30) **Foreign Application Priority Data**

Jun. 30, 2005 (JP) ..... D2005-019033

**DESCRIPTION**

(51) **LOC (8) Cl.** ..... **16-02**

FIG. 1 is a perspective view of a video projector;

(52) **U.S. Cl.** ..... **D16/230**; D16/221; D16/225

FIG. 2 is a front view thereof;

(58) **Field of Classification Search** ..... D16/205,  
D16/208, 213, 221, 225, 230, 231, 234;  
D21/514;  
349/5, 7, 8, 9, 58; 352/34, 242; 353/115,  
353/119, 122

FIG. 3 is a rear view thereof;

FIG. 4 is a right side view thereof;

FIG. 5 is a left side view thereof;

See application file for complete search history.

FIG. 6 is a top plan view thereof; and,

FIG. 7 is a bottom view thereof.

(56) **References Cited**

The broken lines shown in the views are for illustrative  
purpose only and form no part of the claimed design.

**U.S. PATENT DOCUMENTS**

D414,794 S \* 10/1999 Isono ..... D16/230  
D479,551 S \* 9/2003 Min et al. .... D16/230

**1 Claim, 5 Drawing Sheets**

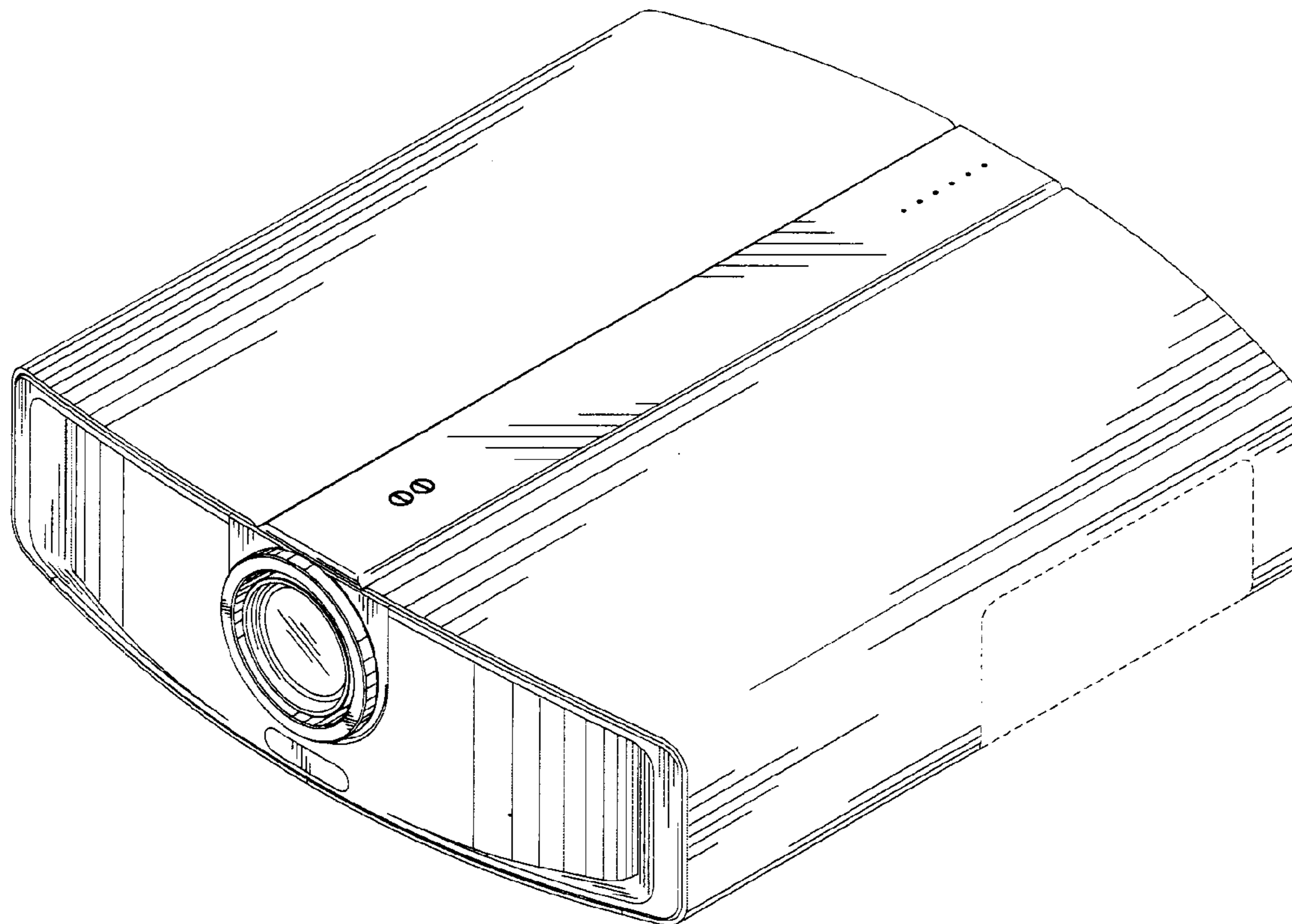


Fig.1

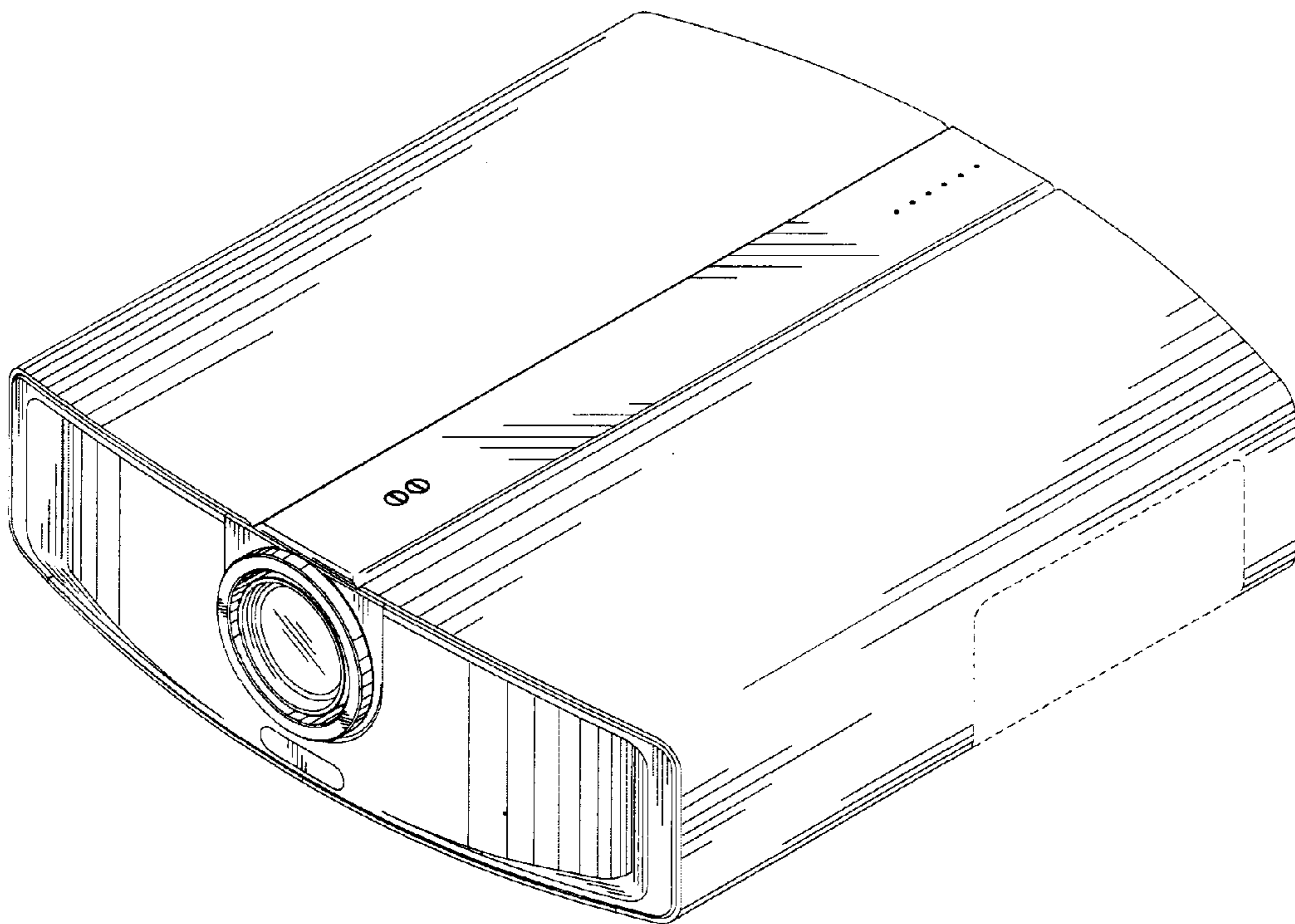


Fig.2

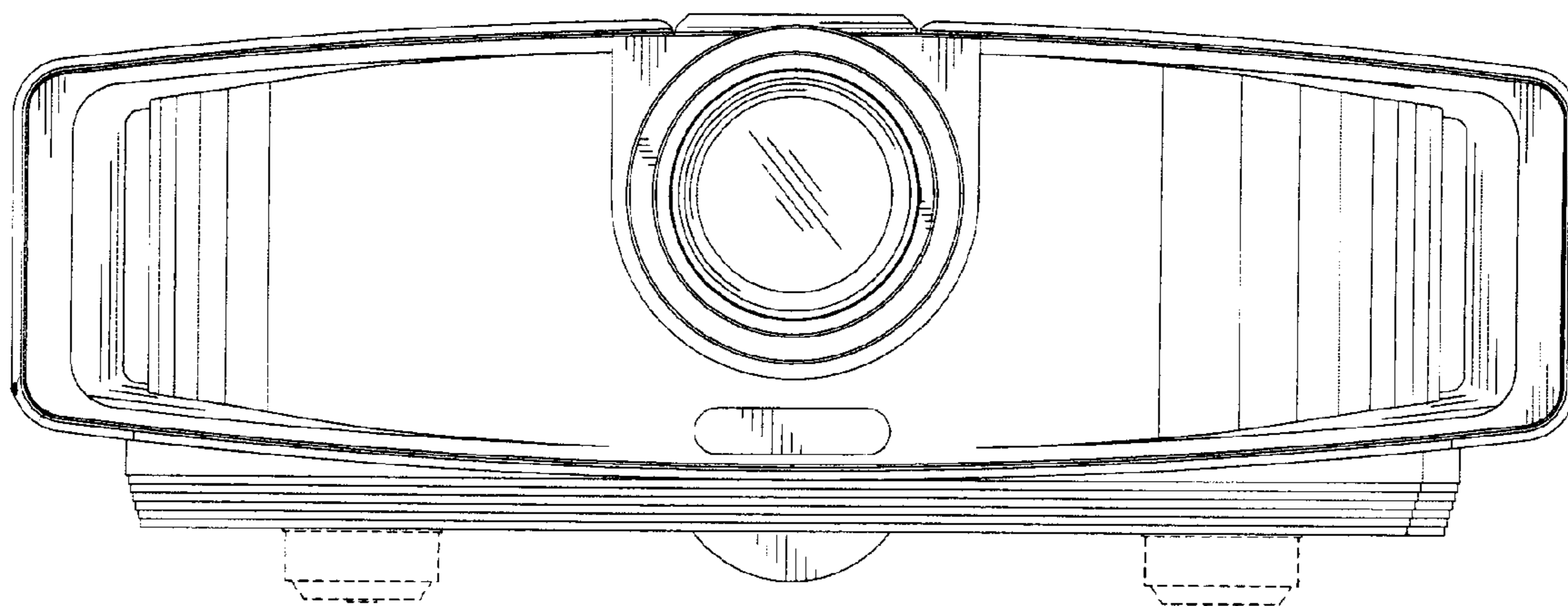


Fig.3

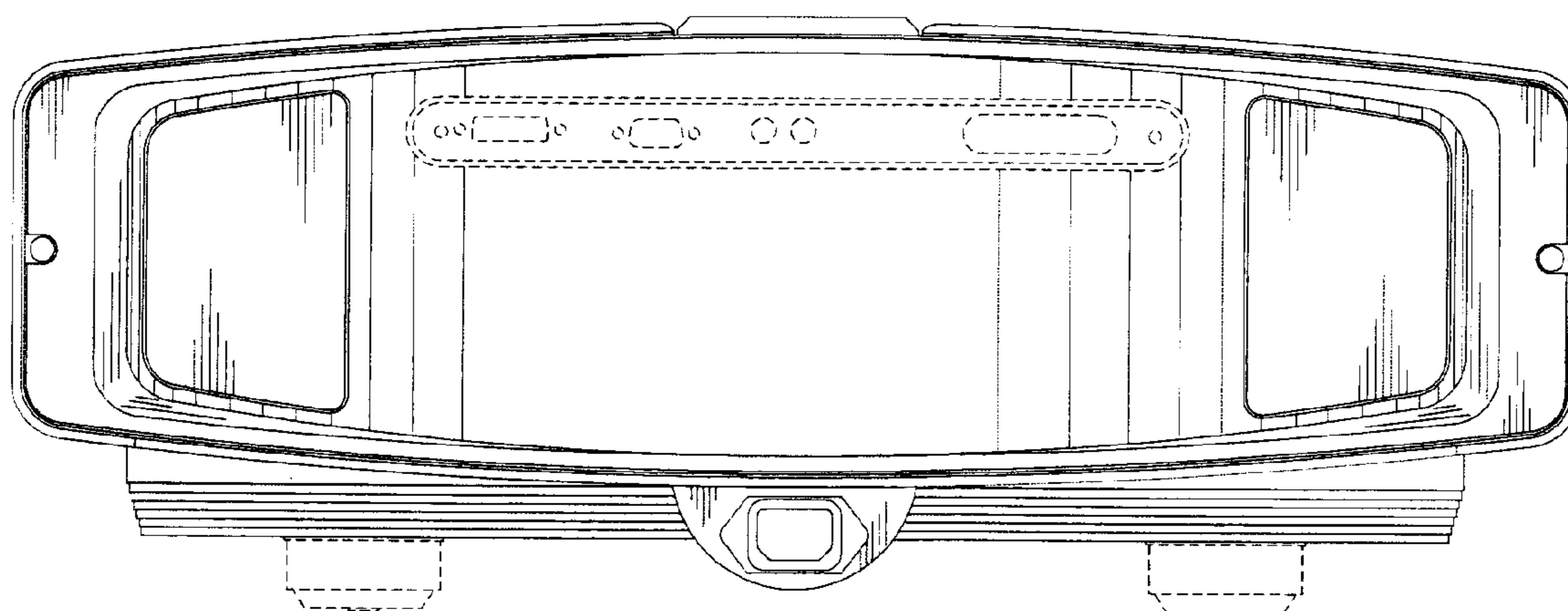


Fig.4

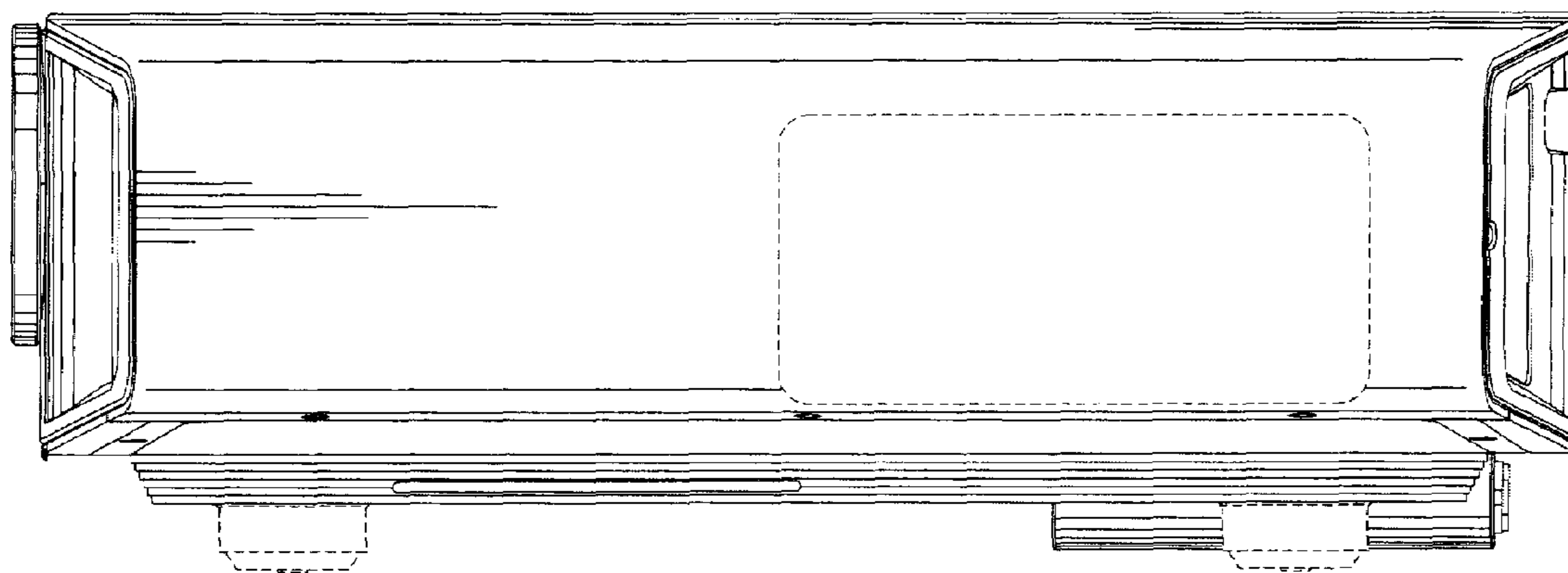


Fig.5

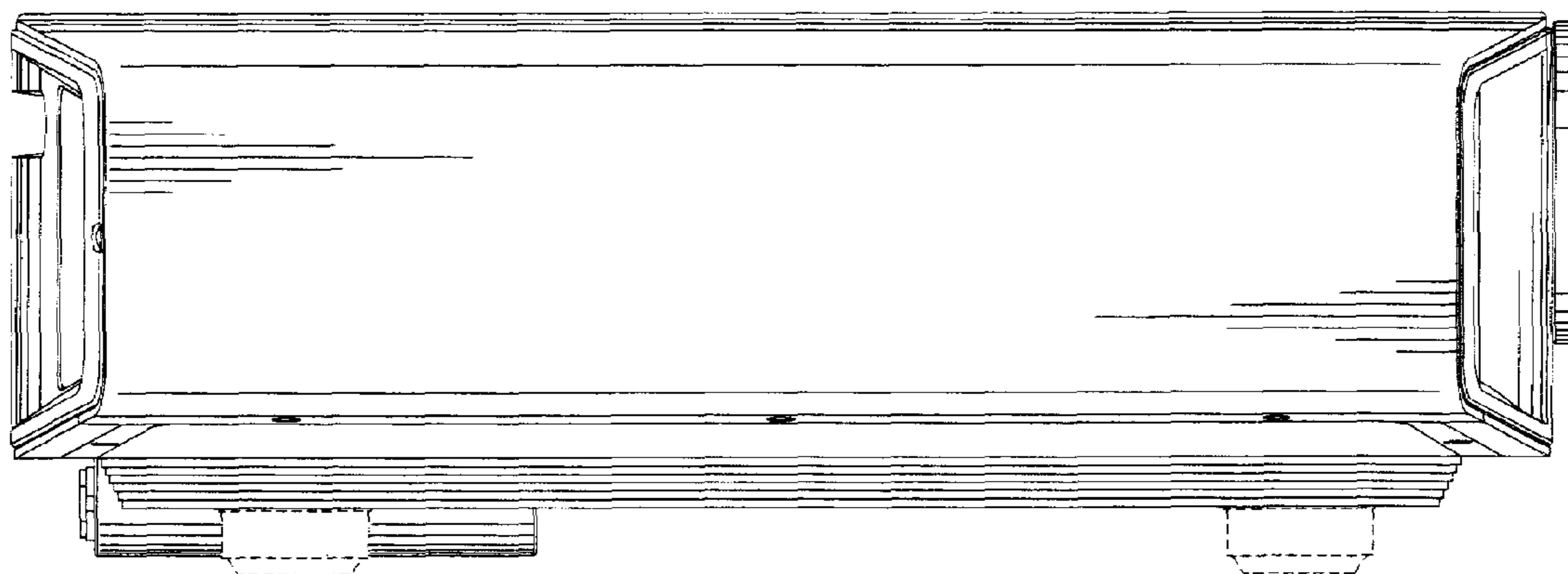


Fig.6

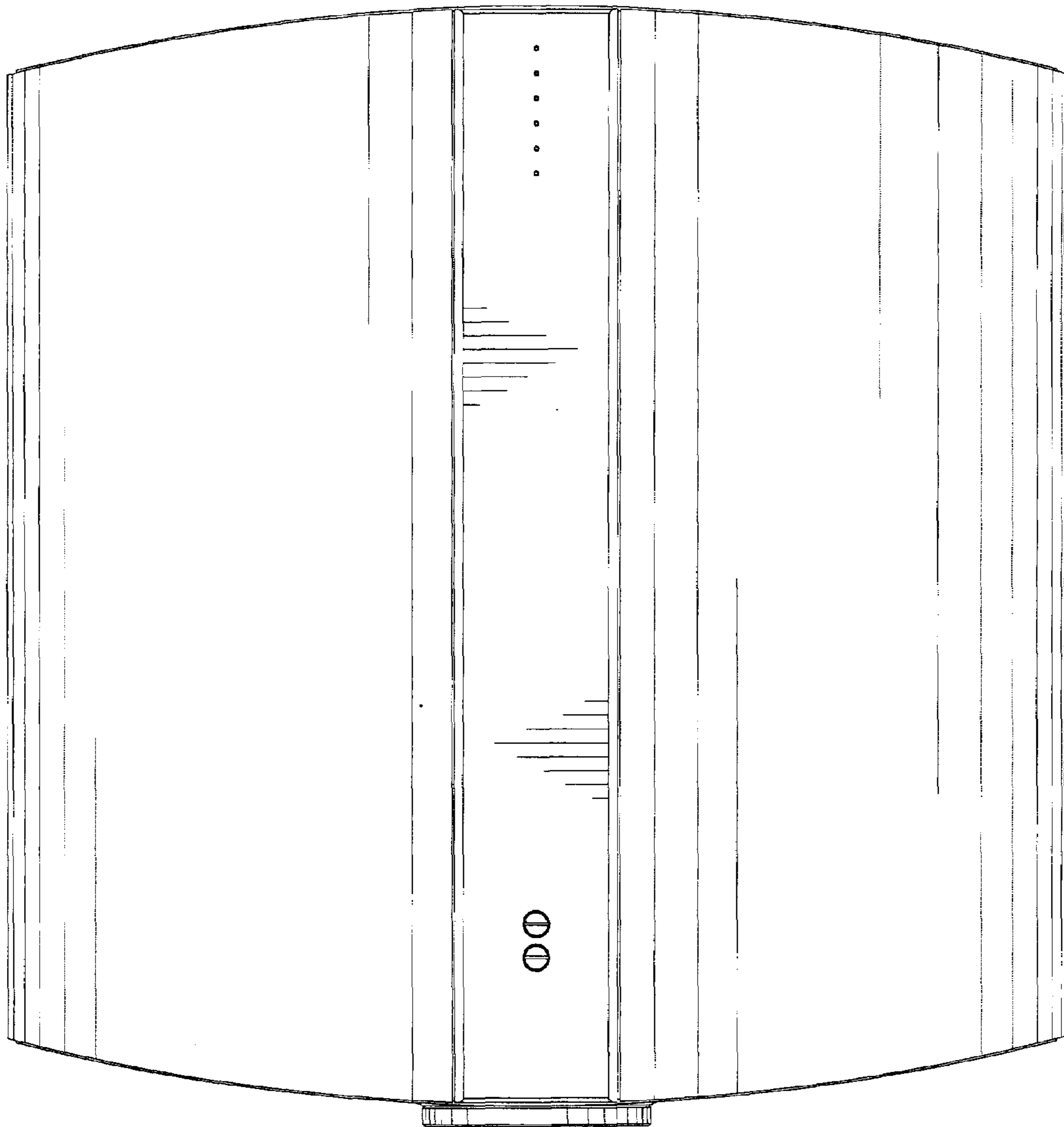


Fig.7

