



US00D548262S

(12) **United States Design Patent**
Nakamura

(10) **Patent No.:** **US D548,262 S**
(45) **Date of Patent:** **** Aug. 7, 2007**

(54) **CONVERSION LENS FOR SINGLE-LENS REFLEX CAMERA**

(75) Inventor: **Shuhei Nakamura**, Tokyo (JP)

(73) Assignee: **PENTAX Corporation**, Tokyo (JP)

(**) Term: **14 Years**

(21) Appl. No.: **29/265,895**

(22) Filed: **Sep. 12, 2006**

(30) **Foreign Application Priority Data**

Mar. 16, 2006 (JP) 2006-006636

(51) **LOC (8) Cl.** **16-05**

(52) **U.S. Cl.** **D16/219; D16/134**

(58) **Field of Classification Search** D16/134,
D16/136, 200, 202, 209, 217, 219; 348/373-376;
359/815, 819, 826-828; 396/529-532, 535,
396/540, 541, 544
See application file for complete search history.

(56) **References Cited**

U.S. PATENT DOCUMENTS

2,136,149	A *	11/1938	Nuchterlein	359/827
D183,255	S *	7/1958	Gebele	D16/134
D253,475	S *	11/1979	Kramer et al.	D16/217
4,357,089	A *	11/1982	Okura et al.	396/532
4,457,609	A *	7/1984	Tomino et al.	396/532
D338,028	S *	8/1993	Takahashi	D16/134
D523,057	S *	6/2006	Watanabe	D16/219

FOREIGN PATENT DOCUMENTS

JP 1233208 S 3/2005

OTHER PUBLICATIONS

Design Department of JP Patent Office has received the below documents on Mar. 10, 2006; Name of documents: PENTAX News Release 2006 "PMA 2006" regarding the exhibition of the relevant product of the digital reflex camera; PENTAX Corporation; Feb. 28, 2006; Document No. of design department of JP Patent Office is HJ17014345; <http://www.pentax.co.jp/japan/news/2006/200609.html>.

* cited by examiner

Primary Examiner—Adir Aronovich

(74) *Attorney, Agent, or Firm*—Sughrue Mion, PLLC

(57) **CLAIM**

The ornamental design for a conversion lens for single-lens reflex camera, as shown.

DESCRIPTION

FIG. 1 is a perspective view of the top, front and right side of a conversion lens for single lens reflex camera showing my new design;

FIG. 2 is a right side elevational view thereof;

FIG. 3 is a left side elevational view thereof;

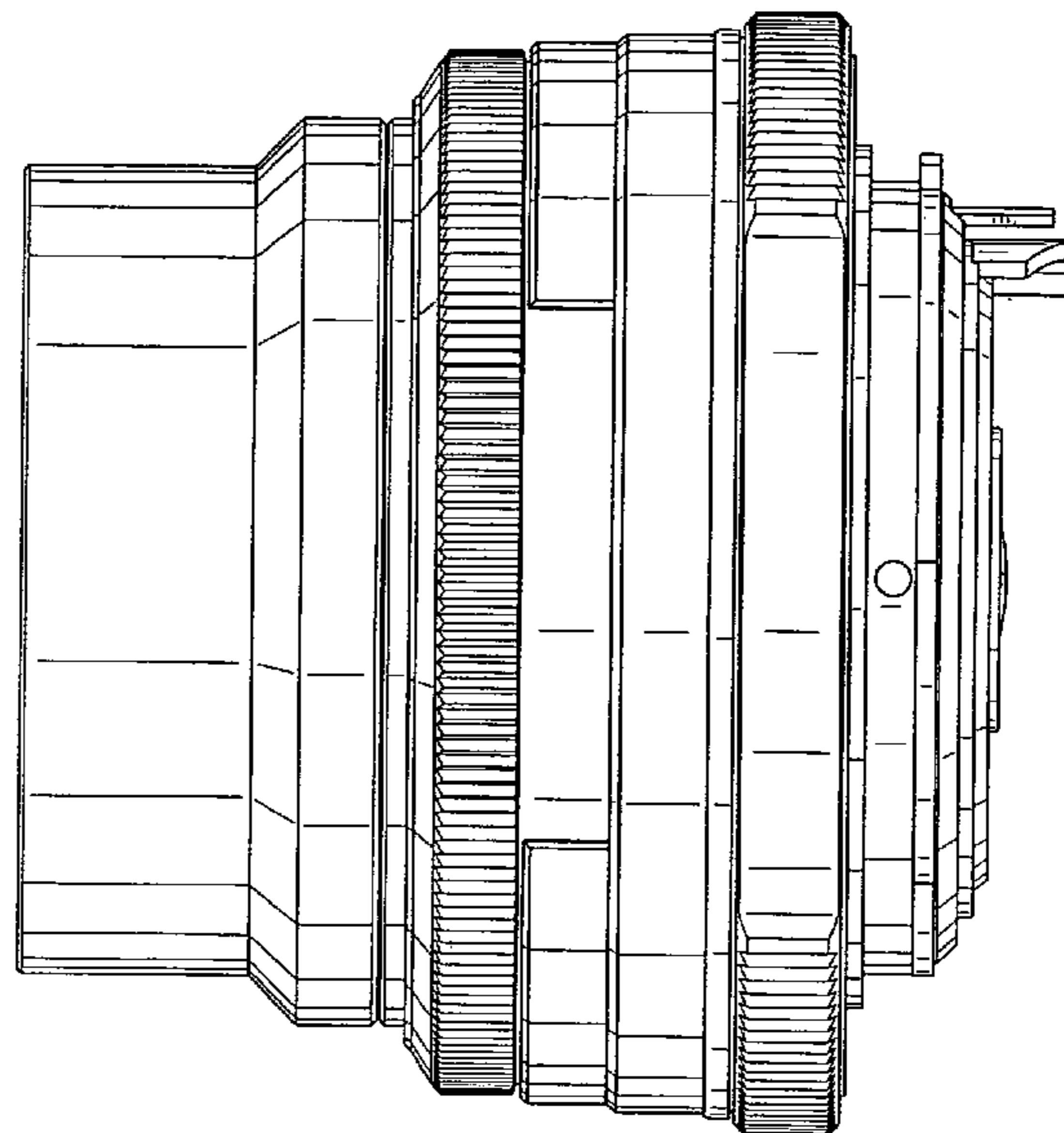
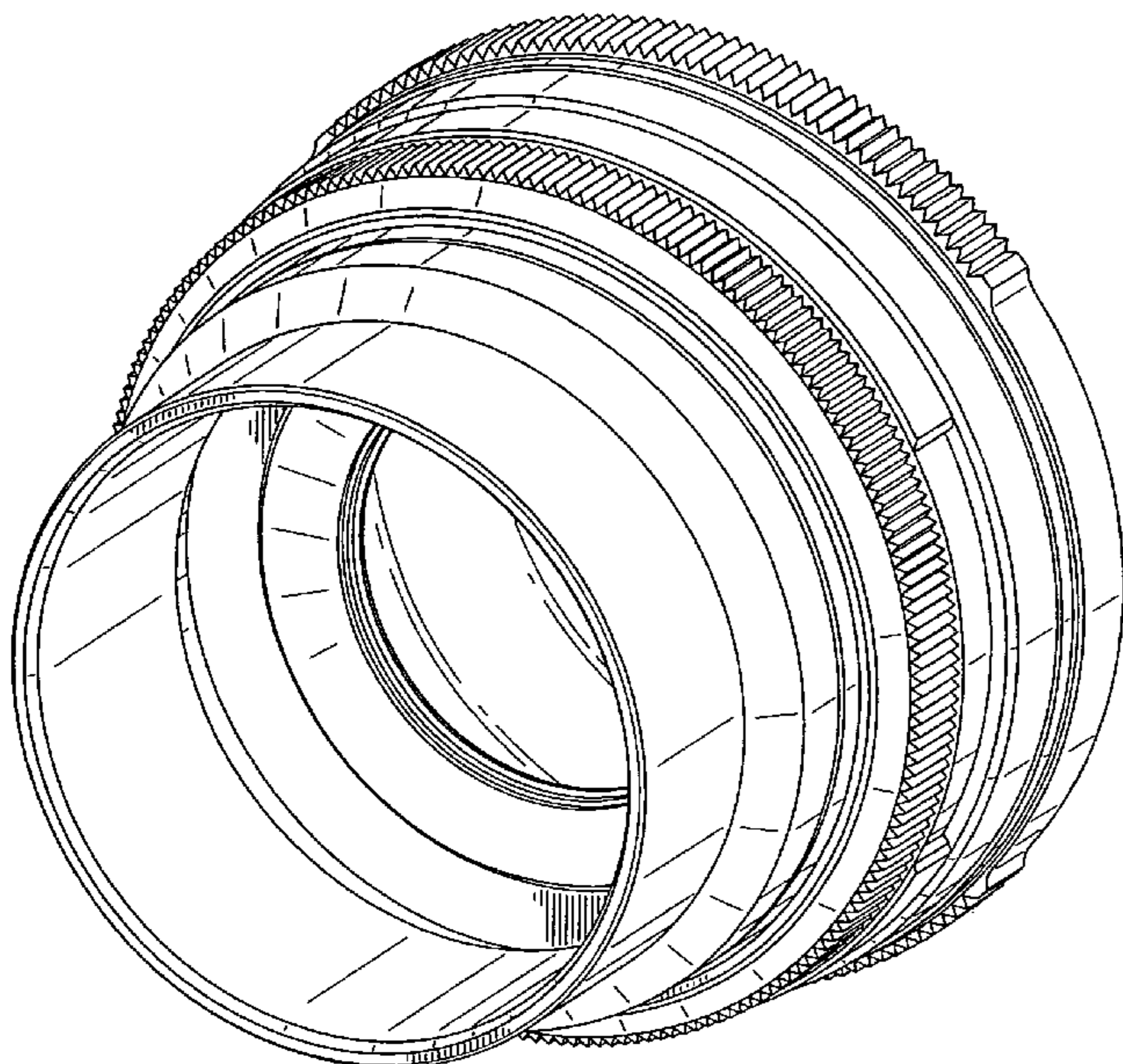
FIG. 4 is a front elevational view thereof;

FIG. 5 is a rear elevational view thereof;

FIG. 6 is a top plan view thereof; and,

FIG. 7 is a bottom plan view thereof.

1 Claim, 7 Drawing Sheets



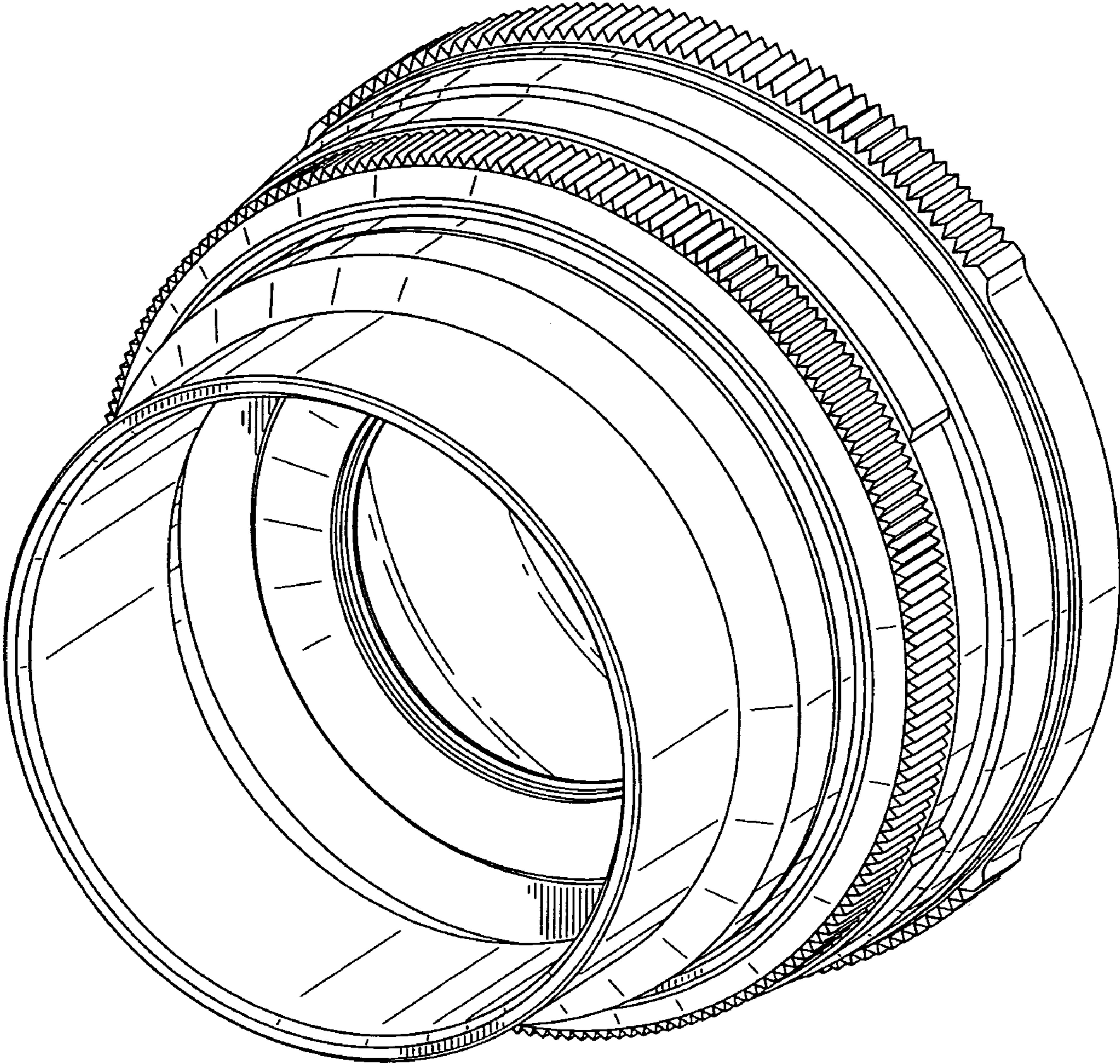


FIG. 1

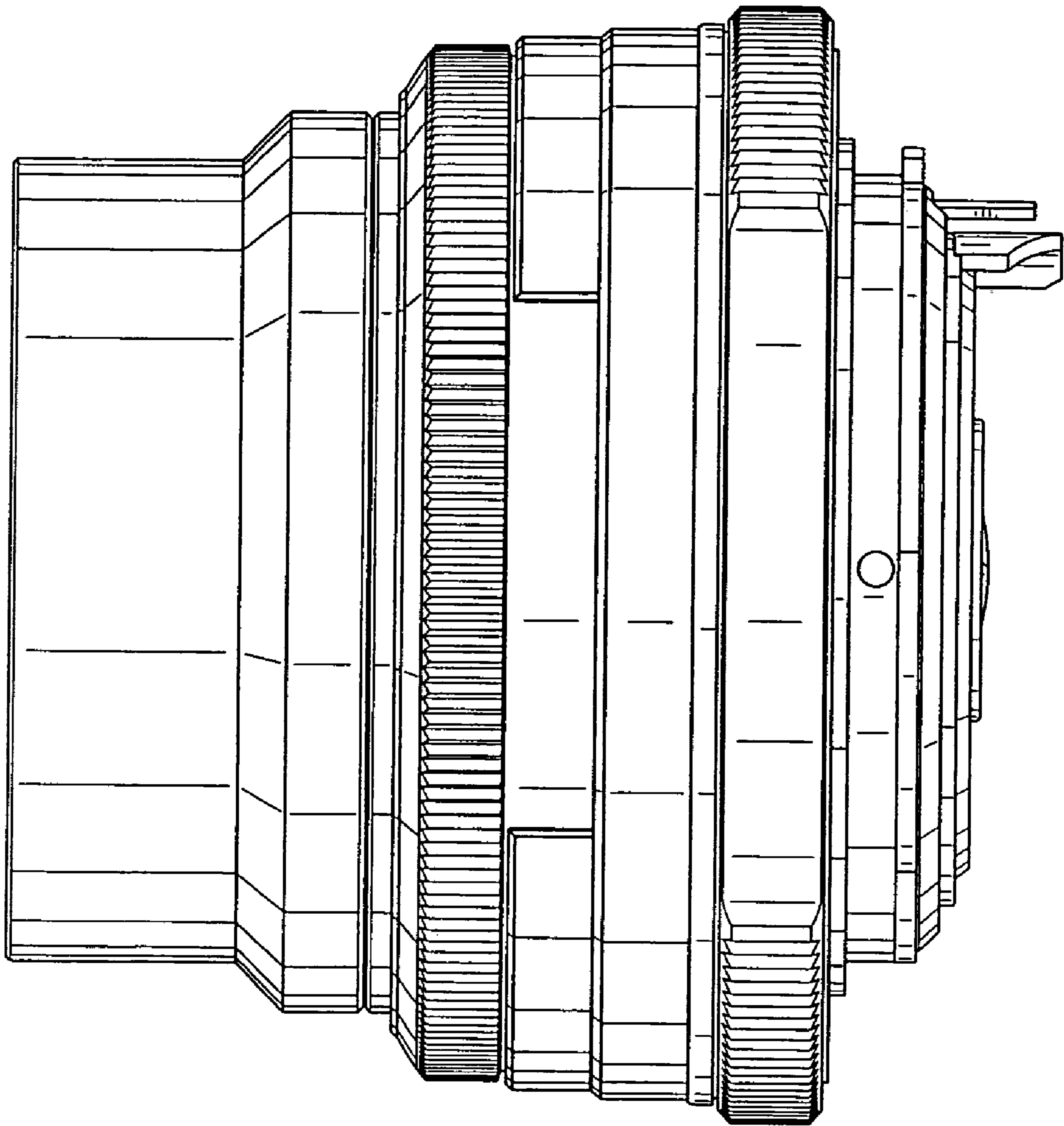


FIG. 2

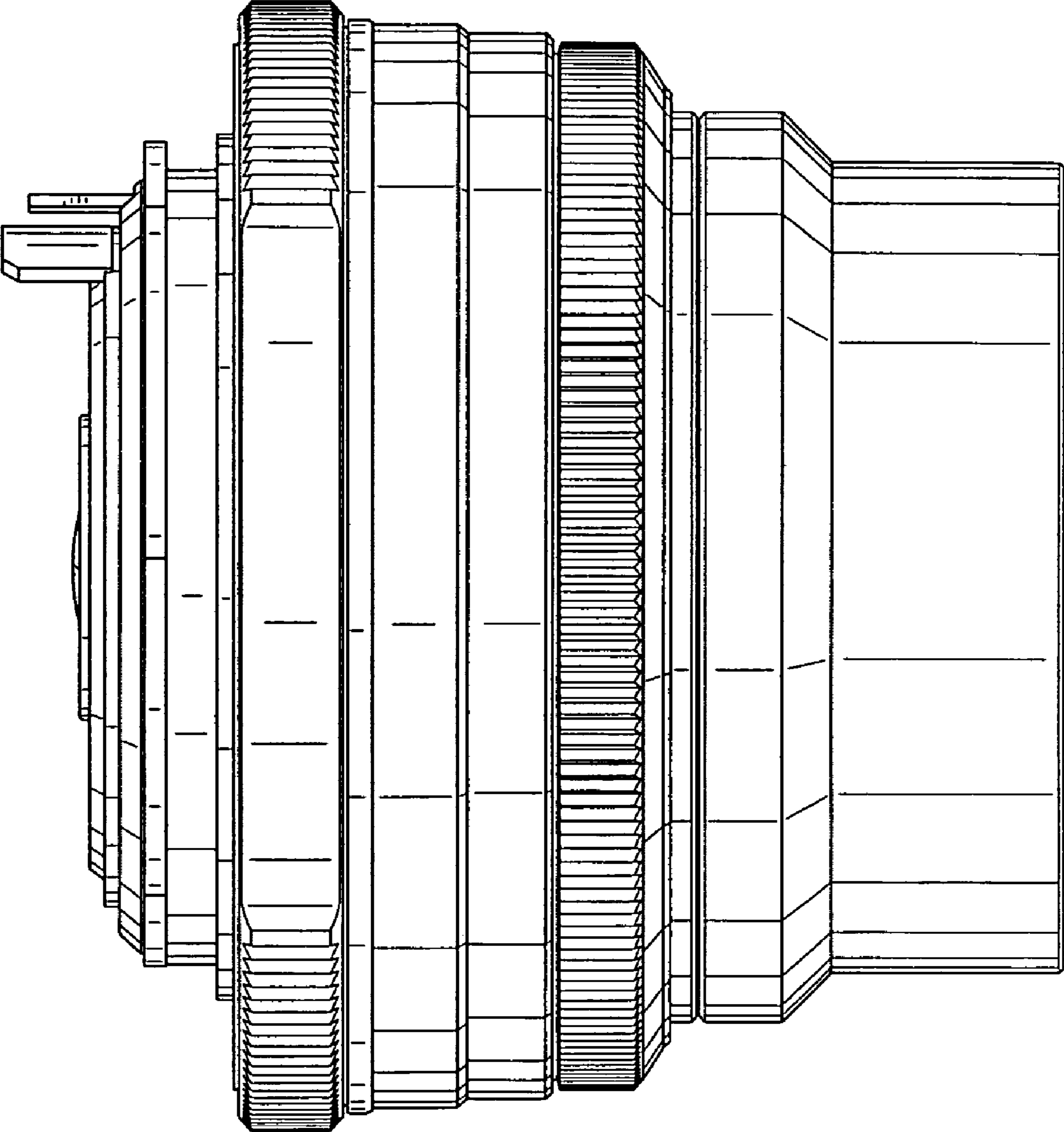


FIG. 3

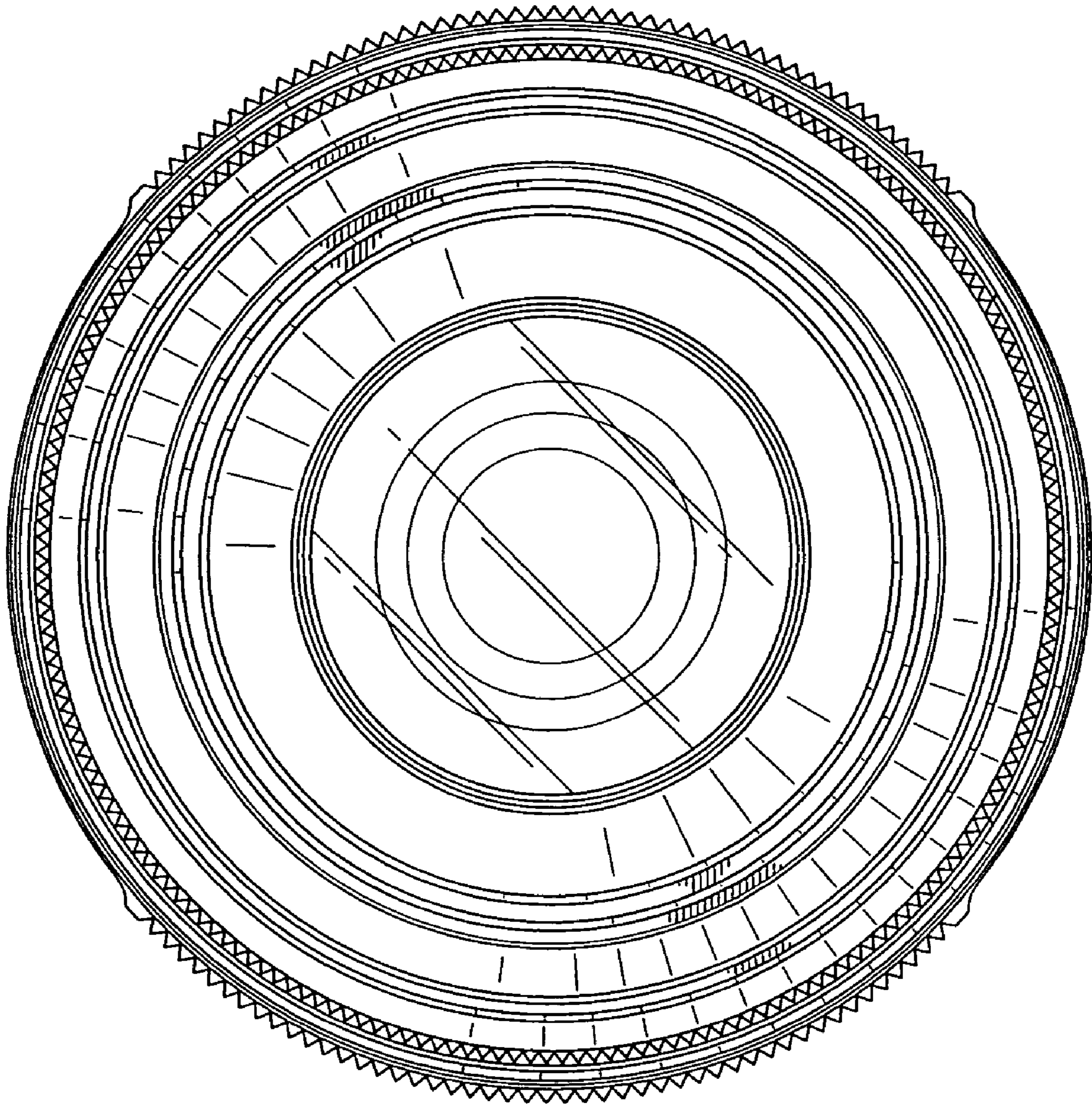


FIG. 4

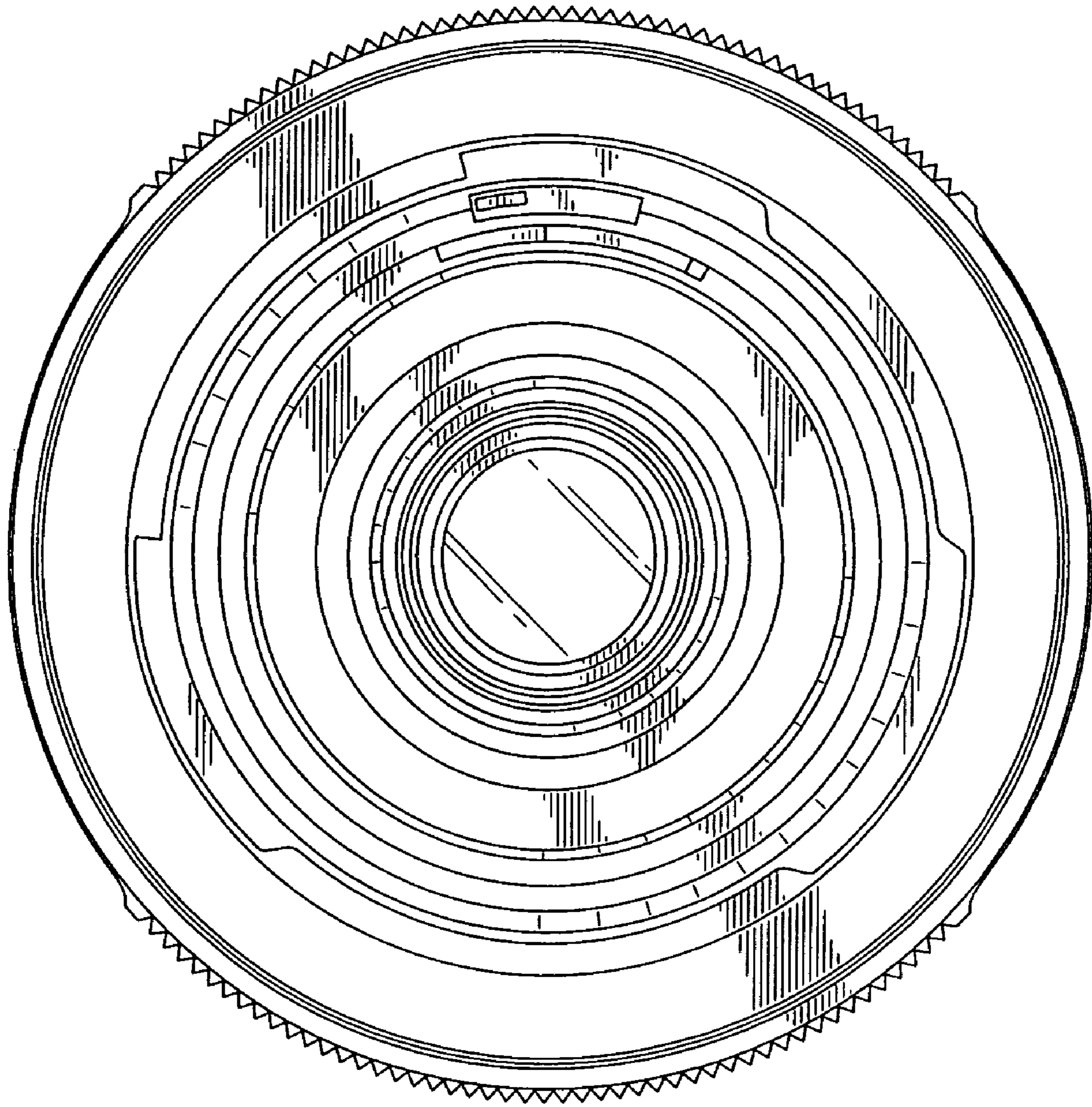


FIG. 5

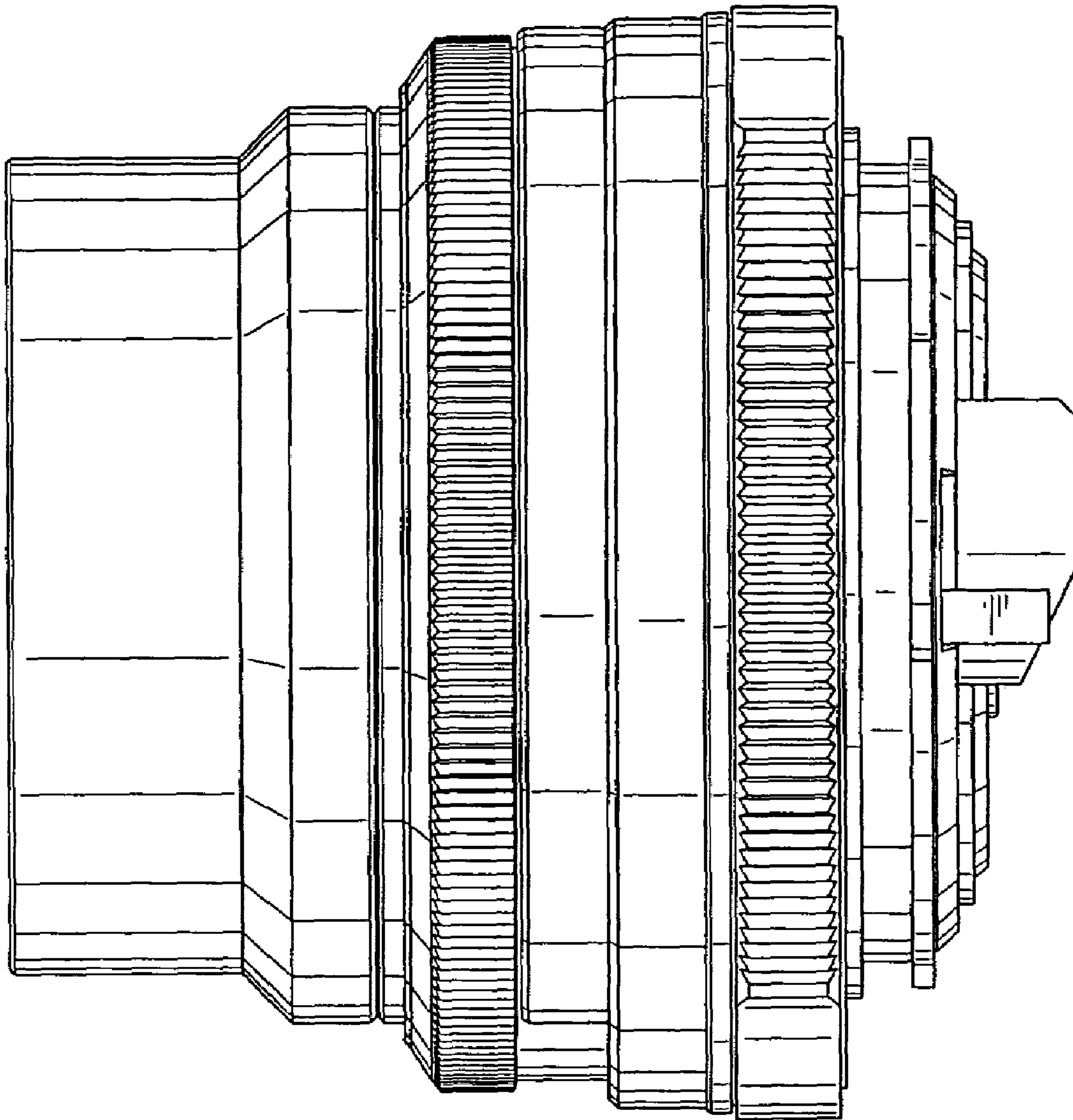


FIG. 6

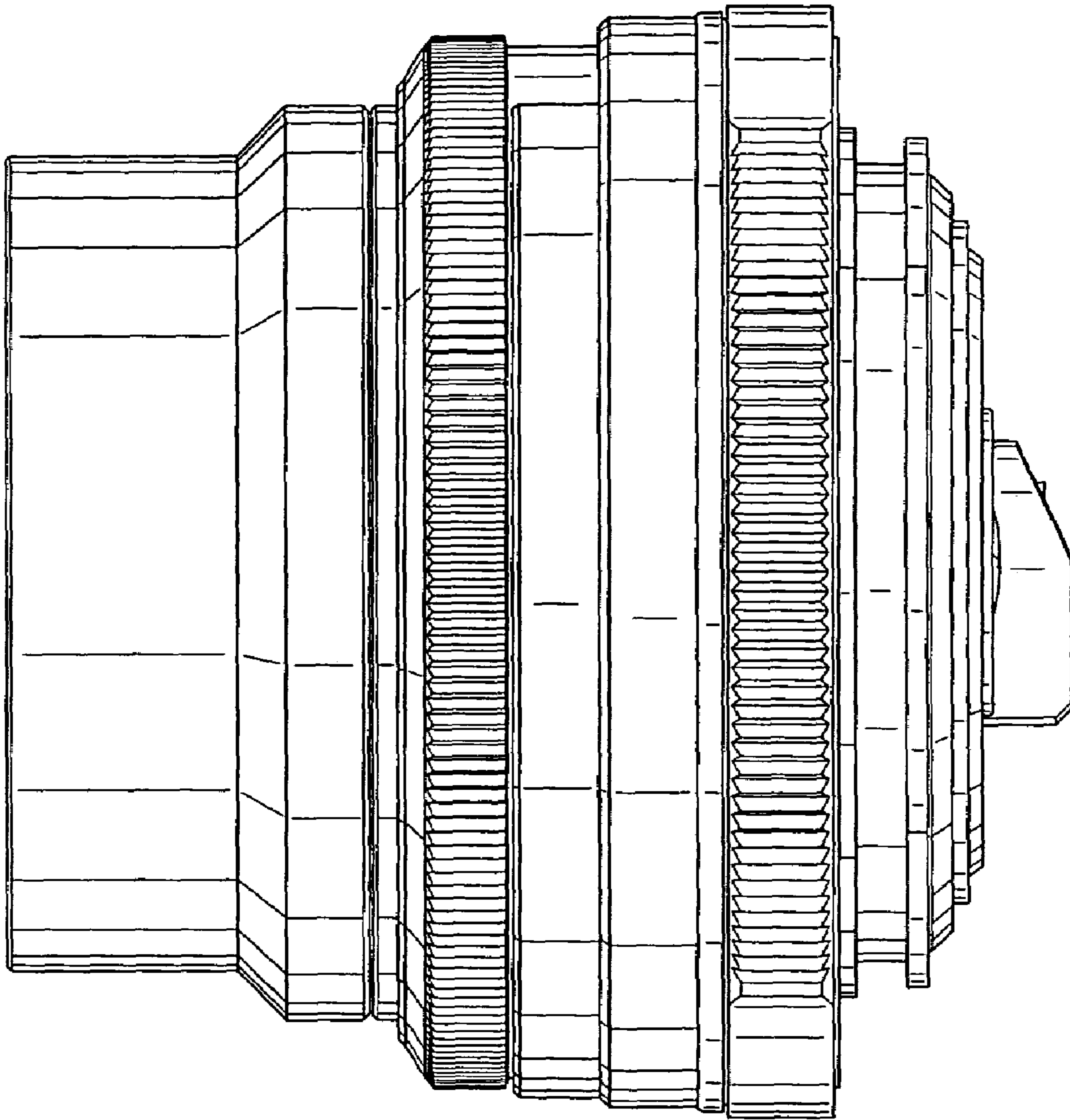


FIG. 7