

US00D548259S

(12) **United States Design Patent**  
**Watanabe**

(10) **Patent No.:** **US D548,259 S**

(45) **Date of Patent:** **\*\* Aug. 7, 2007**

(54) **DIGITAL CAMERA**

(75) Inventor: **Akira Watanabe**, Tokyo (JP)

(73) Assignee: **PENTAX Corporation**, Tokyo (JP)

(\*\*) Term: **14 Years**

(21) Appl. No.: **29/254,299**

(22) Filed: **Feb. 22, 2006**

(30) **Foreign Application Priority Data**

Sep. 2, 2005 (JP) ..... 2005-025472

(51) **LOC (8) Cl.** ..... **16-05**

(52) **U.S. Cl.** ..... **D16/219; D16/202**

(58) **Field of Classification Search** ..... D16/200–204,  
D16/208, 218, 219; 348/373–376; 358/909.1;  
396/535–541

See application file for complete search history.

(56) **References Cited**

**U.S. PATENT DOCUMENTS**

- 4,943,822 A \* 7/1990 von Brauhut ..... 396/373
- D488,498 S \* 4/2004 Miyashita ..... D16/219
- D502,484 S \* 3/2005 Nagayama et al. .... D16/202
- D502,723 S \* 3/2005 Nagayama et al. .... D16/202
- D505,685 S \* 5/2005 Yoshida ..... D16/219
- D524,350 S \* 7/2006 Hayamizu ..... D16/219

D536,013 S \* 1/2007 Hamamura ..... D16/219  
2005/0057685 A1\* 3/2005 Yamaguchi ..... 348/375

\* cited by examiner

*Primary Examiner*—Adir Aronovich

(74) *Attorney, Agent, or Firm*—Sughrue Mion, PLLC

(57) **CLAIM**

The ornamental design for a digital camera, as shown and described.

**DESCRIPTION**

FIG. 1 is a perspective view of the top, front and right side of a digital camera showing my new design;

FIG. 2 is a perspective view of the top, rear and left side thereof;

FIG. 3 is a top plan view thereof;

FIG. 4 is a front elevational view thereof;

FIG. 5 is a left side elevational view thereof;

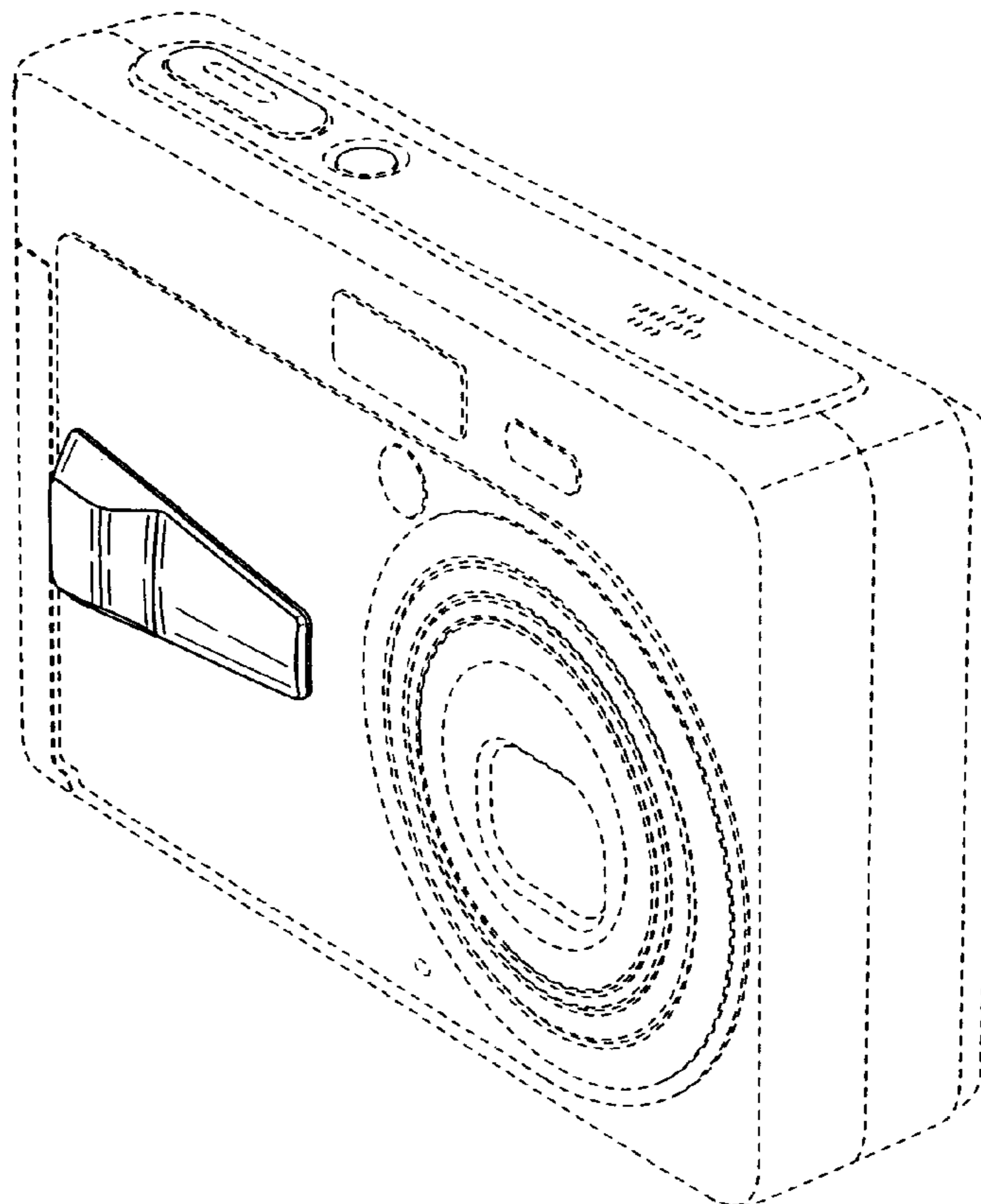
FIG. 6 is a right side elevational view thereof;

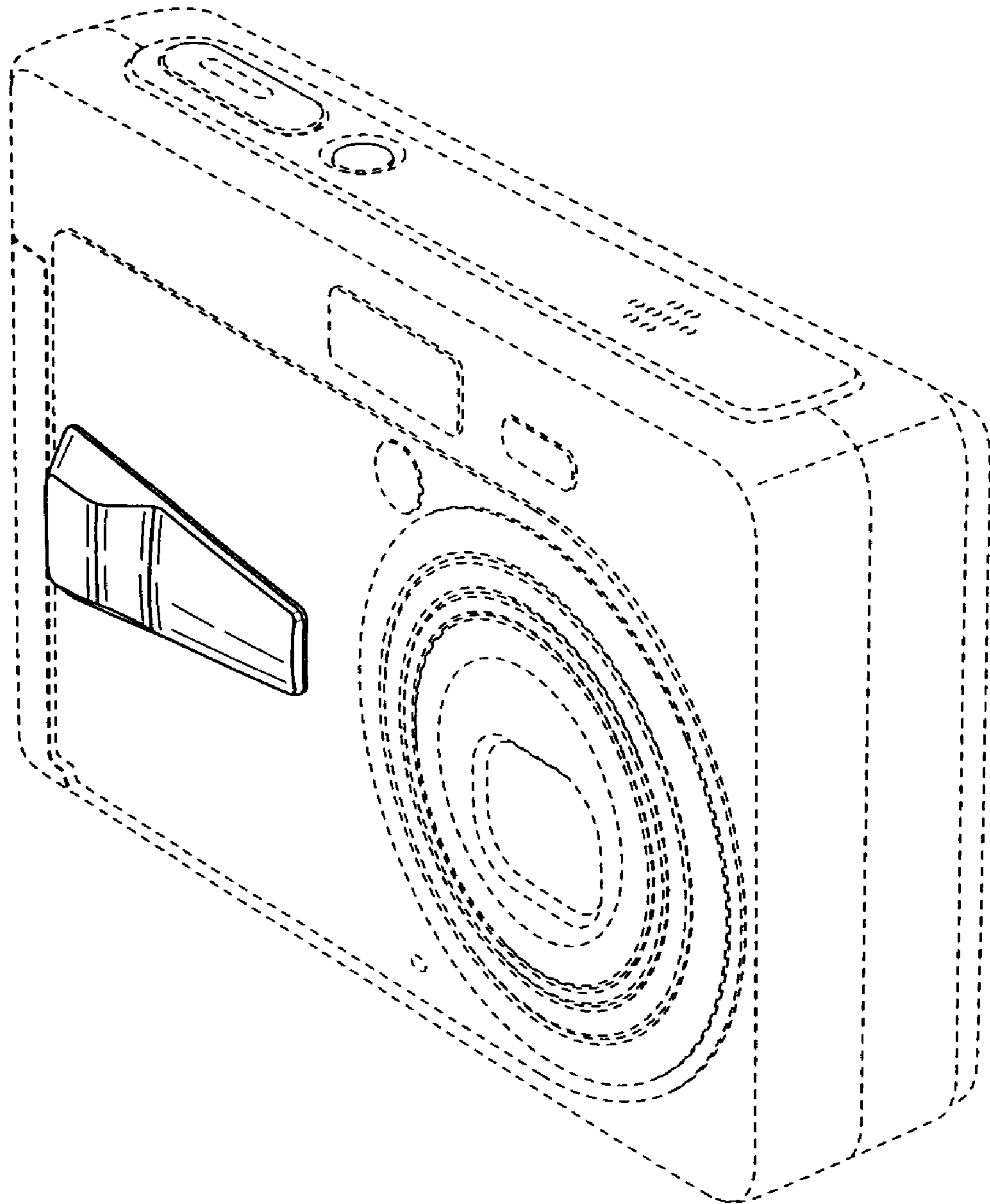
FIG. 7 is a rear elevational view thereof; and,

FIG. 8 is a bottom plan view thereof.

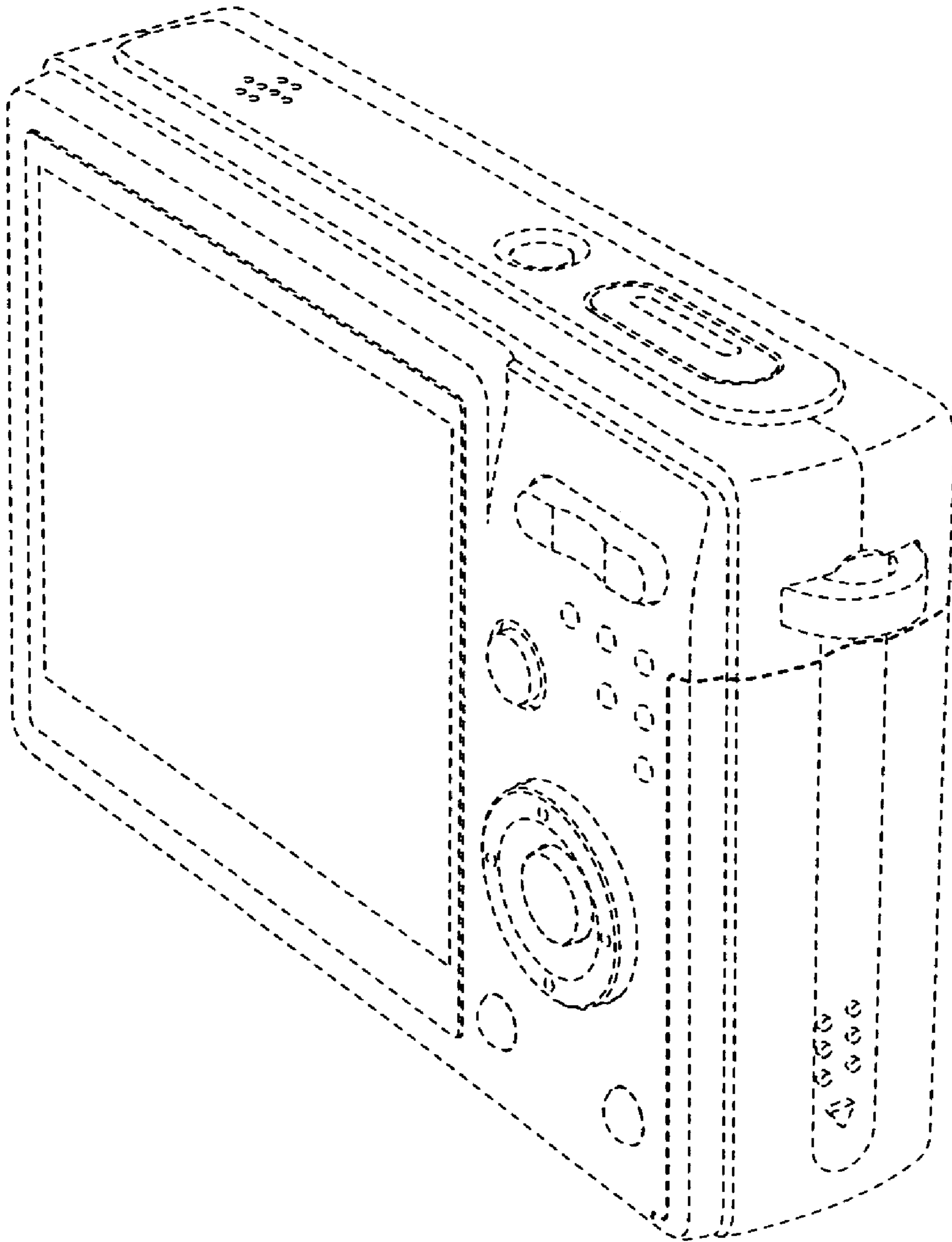
The portions shown in broken lines are for illustrative purposes only and form no part of the claimed design.

**1 Claim, 5 Drawing Sheets**

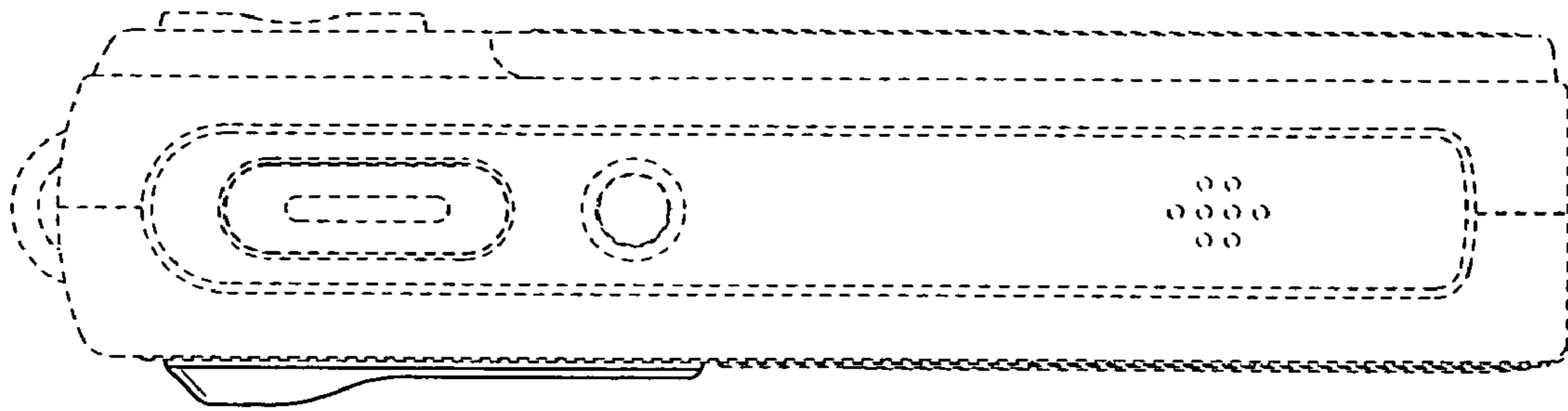




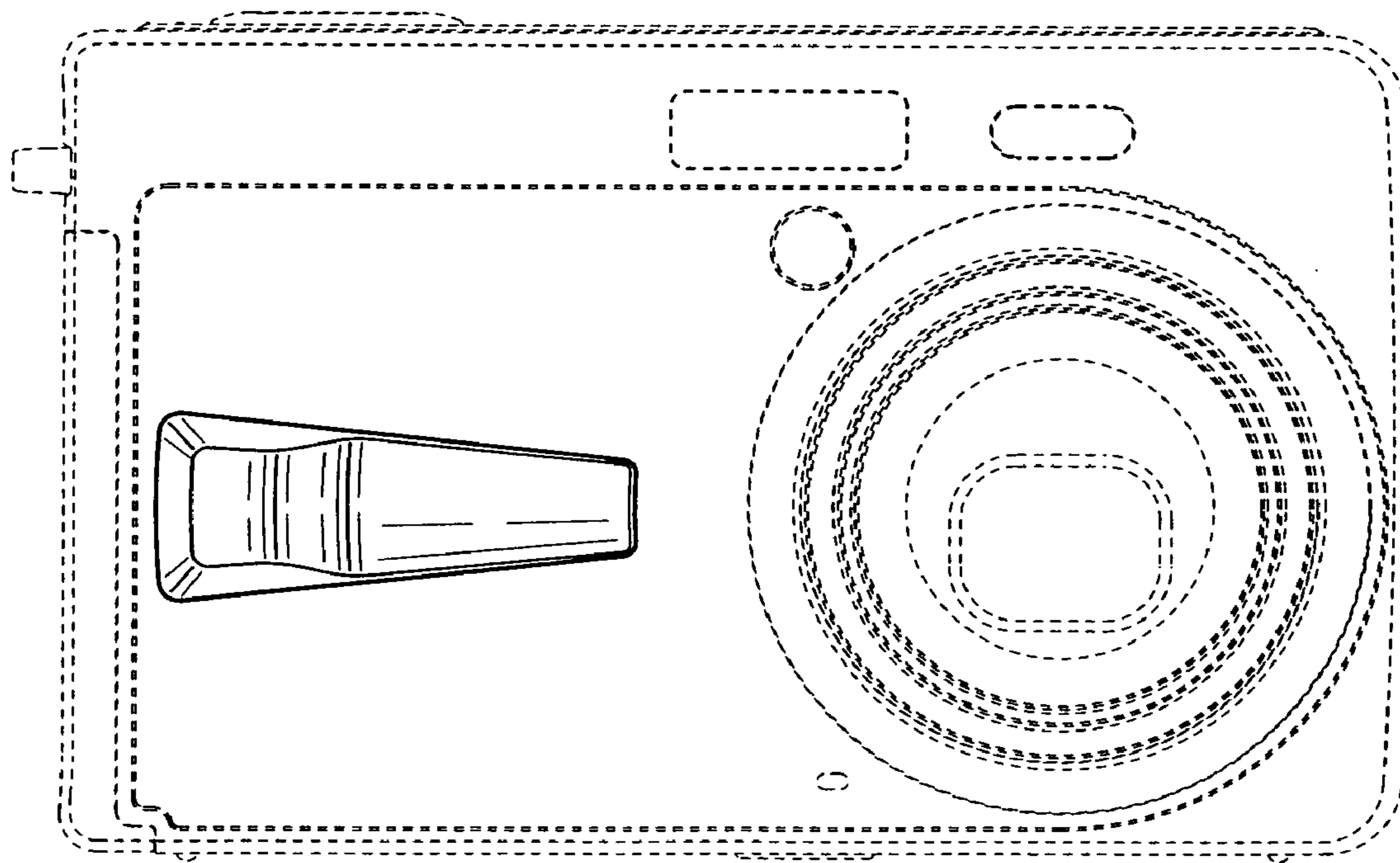
*FIG. 1*



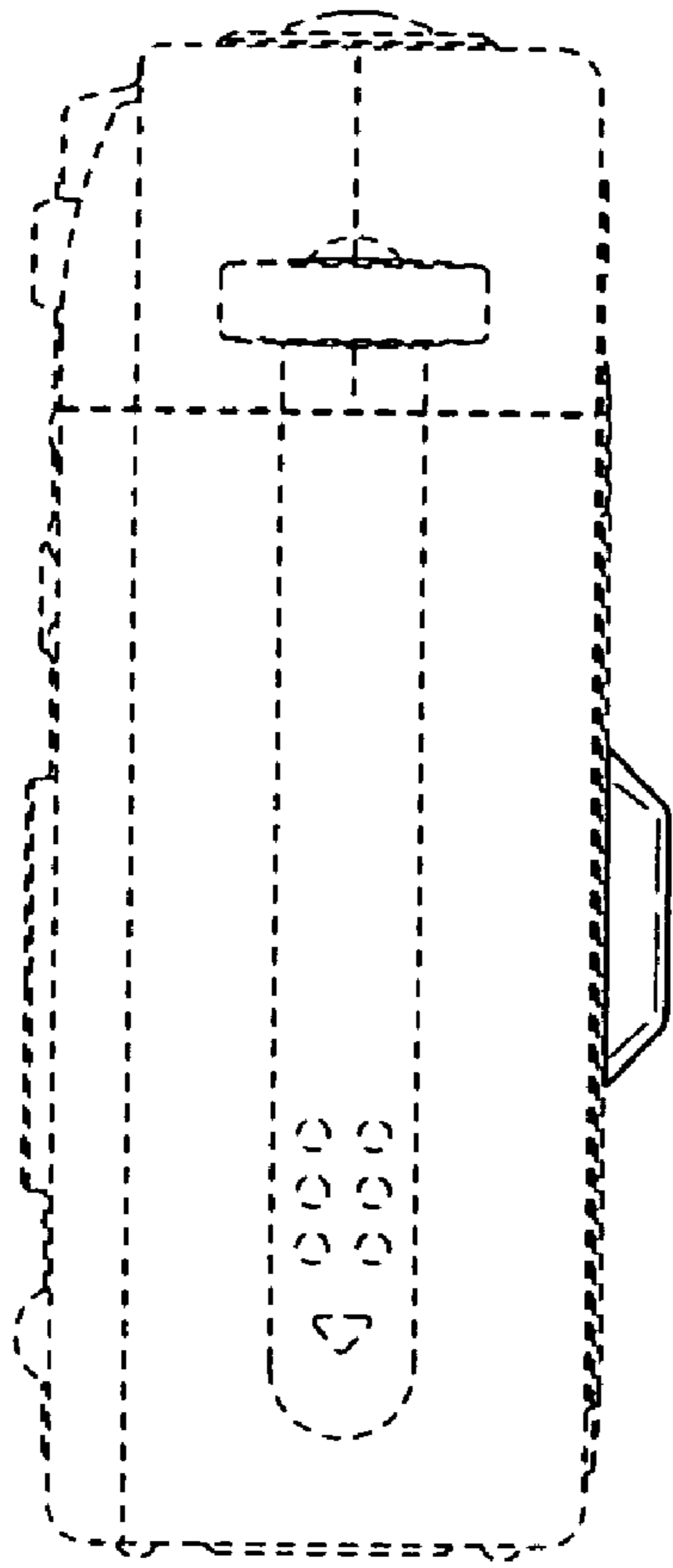
**FIG. 2**



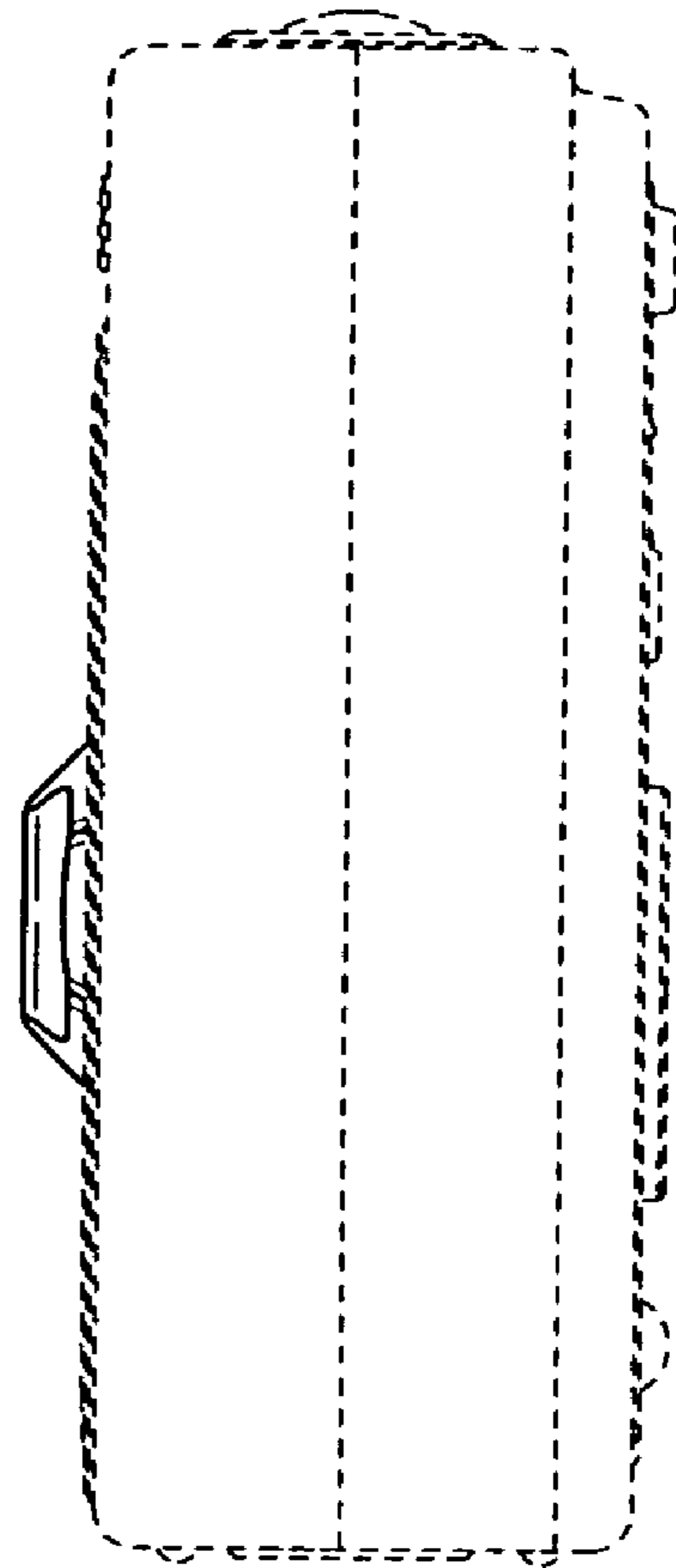
*FIG. 3*



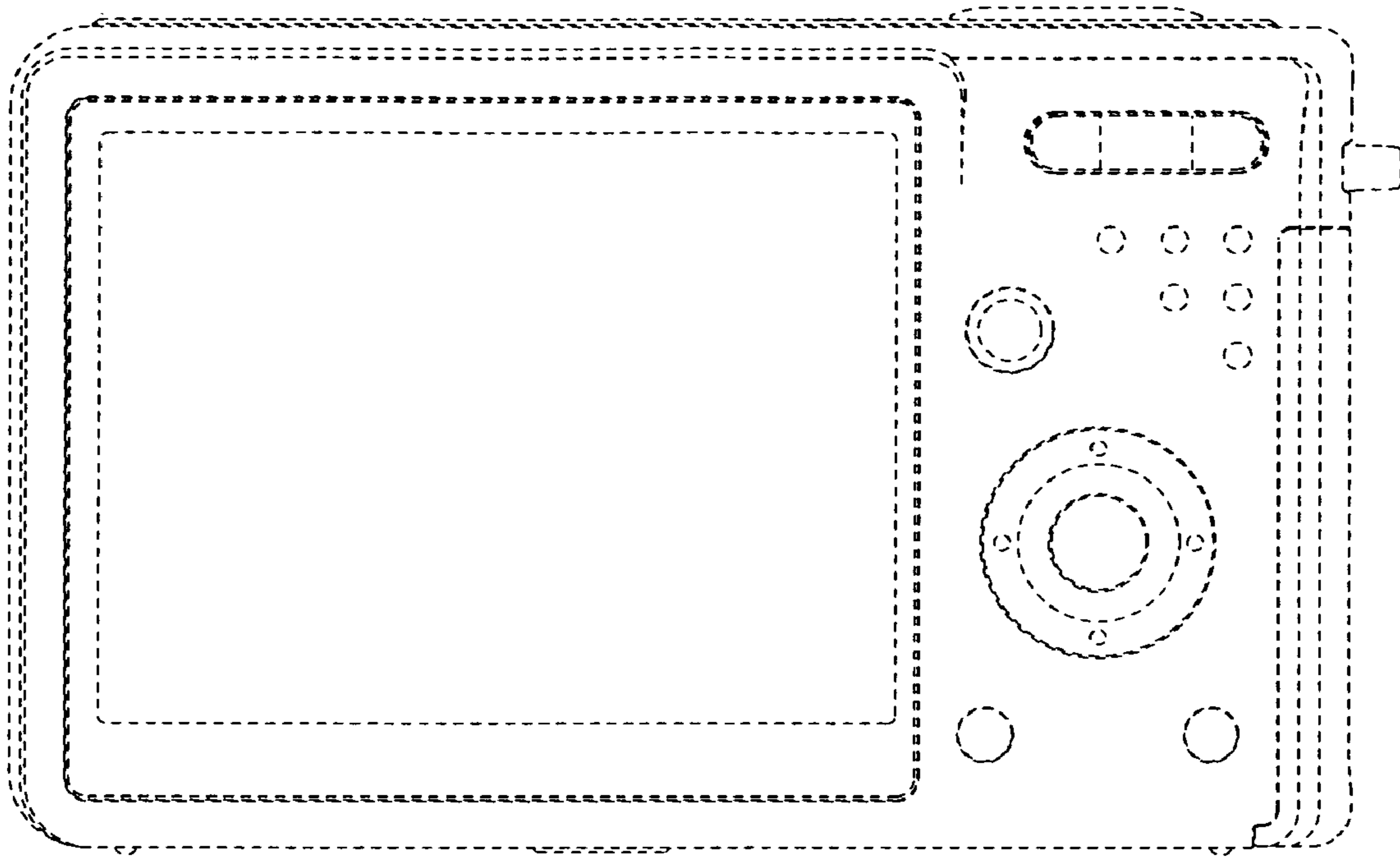
*FIG. 4*



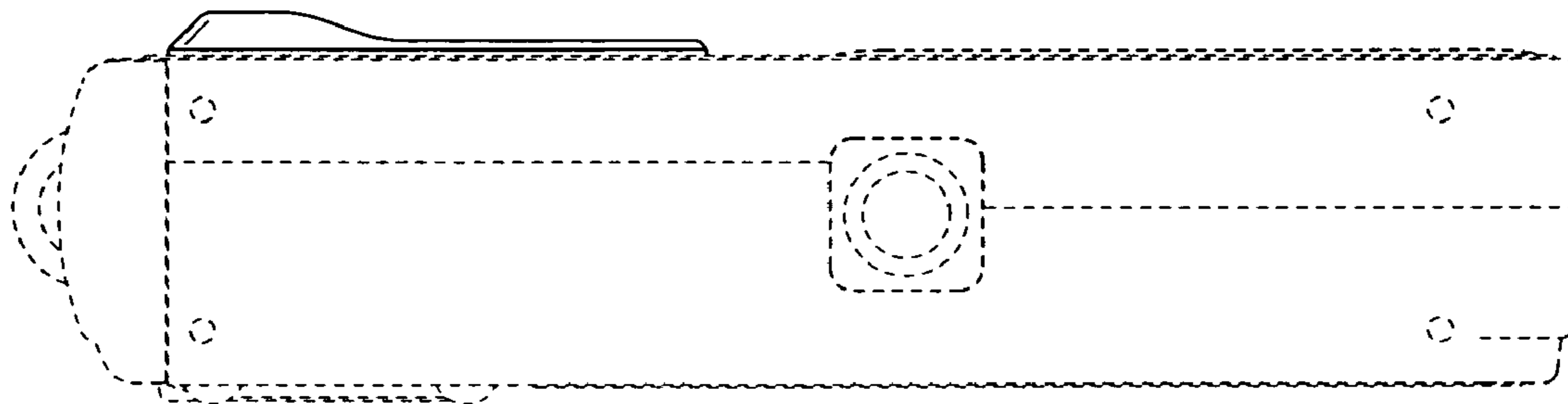
*FIG. 5*



*FIG. 6*



*FIG. 7*



*FIG. 8*