

US00D548258S

(12) **United States Design Patent**  
**Tanifuji et al.**

(10) **Patent No.:** **US D548,258 S**

(45) **Date of Patent:** **\*\* Aug. 7, 2007**

(54) **CAMCORDER**

D476,671 S \* 7/2003 van Schaik et al. .... D16/203

(75) Inventors: **Shuji Tanifuji**, Yokohama (JP);  
**Akihiko Miyamori**, Yokohama (JP)

\* cited by examiner

*Primary Examiner*—Adir Aronovich

(73) Assignee: **Victor Company of Japan, Limited**,  
Yokohama-Shi (JP)

(74) *Attorney, Agent, or Firm*—The Nath Law Group; Jerald  
L. Meyer; Derek Richmond

(\*\*) Term: **14 Years**

(57) **CLAIM**

(21) Appl. No.: **29/254,682**

The ornamental design for a camcorder, as shown and  
described.

(22) Filed: **Feb. 28, 2006**

**DESCRIPTION**

(30) **Foreign Application Priority Data**

Aug. 29, 2005 (JP) ..... D2005-024868

FIG. 1 is a top, front and right side perspective view of a  
camcorder showing our new design;

(51) **LOC (8) Cl.** ..... **16-01**

FIG. 2 is a front view thereof;

(52) **U.S. Cl.** ..... **D16/202**

FIG. 3 is a rear view thereof;

(58) **Field of Classification Search** ..... D16/200–206,  
D16/208, 218; 348/373–376; 358/906;  
396/535–541

FIG. 4 is a top plan view thereof;

See application file for complete search history.

FIG. 5 is a bottom view thereof;

FIG. 6 is a right side view thereof;

FIG. 7 is a left side view thereof; and,

(56) **References Cited**

**U.S. PATENT DOCUMENTS**

D288,811 S \* 3/1987 Kurokawa et al. .... D16/202  
5,499,052 A \* 3/1996 Nakanishi et al. .... 348/373  
6,219,489 B1 \* 4/2001 Ohta et al. .... 358/906  
D476,021 S \* 6/2003 Masano et al. .... D16/202

FIG. 8 is a top, rear and right side perspective view of a  
camcorder thereof, showing the camcorder with its monitor  
panel opened.

The broken lines shown in FIG. 7 are for illustrative  
purposes only and form no part of the claimed design.

**1 Claim, 8 Drawing Sheets**

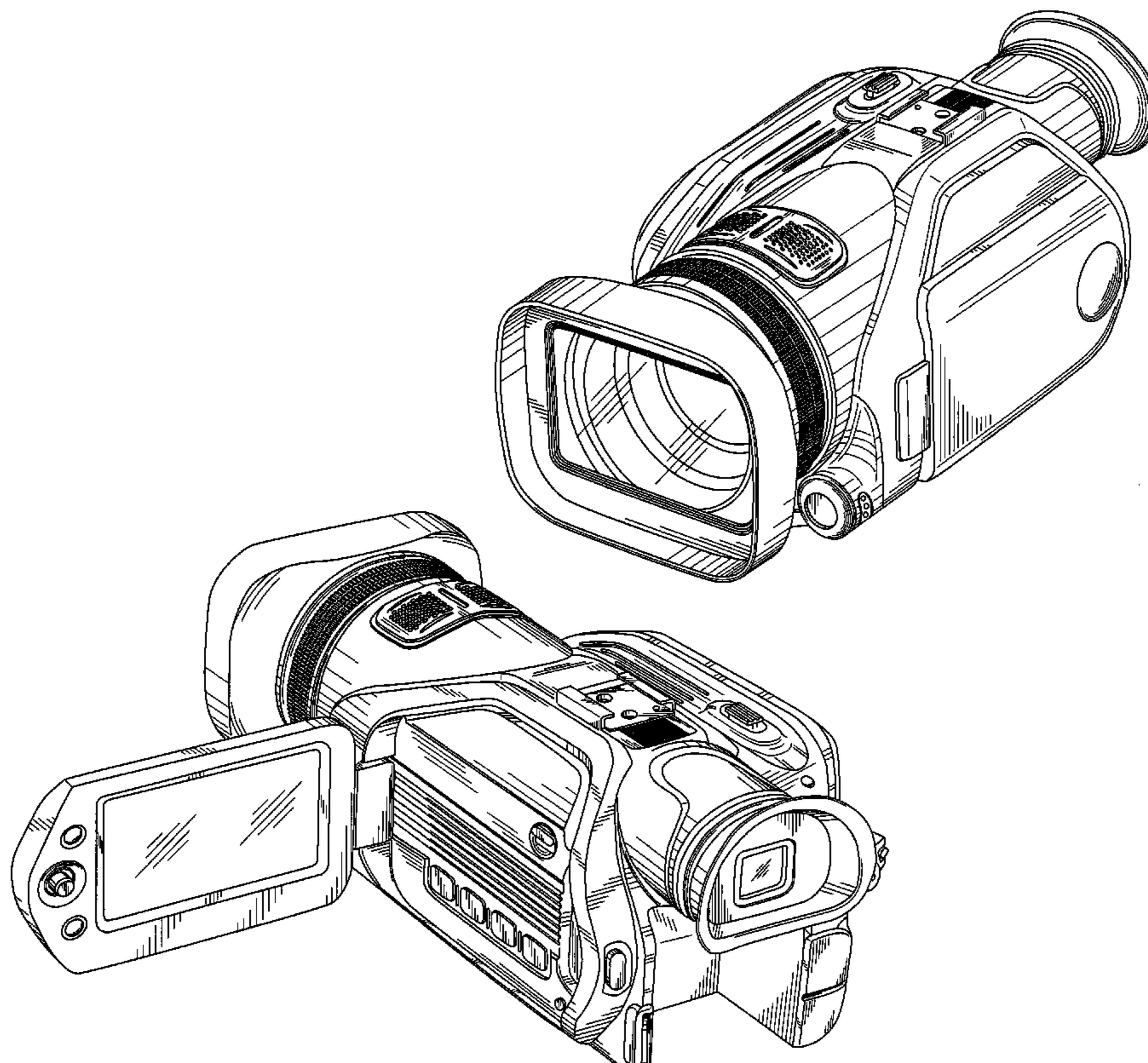


Fig.1

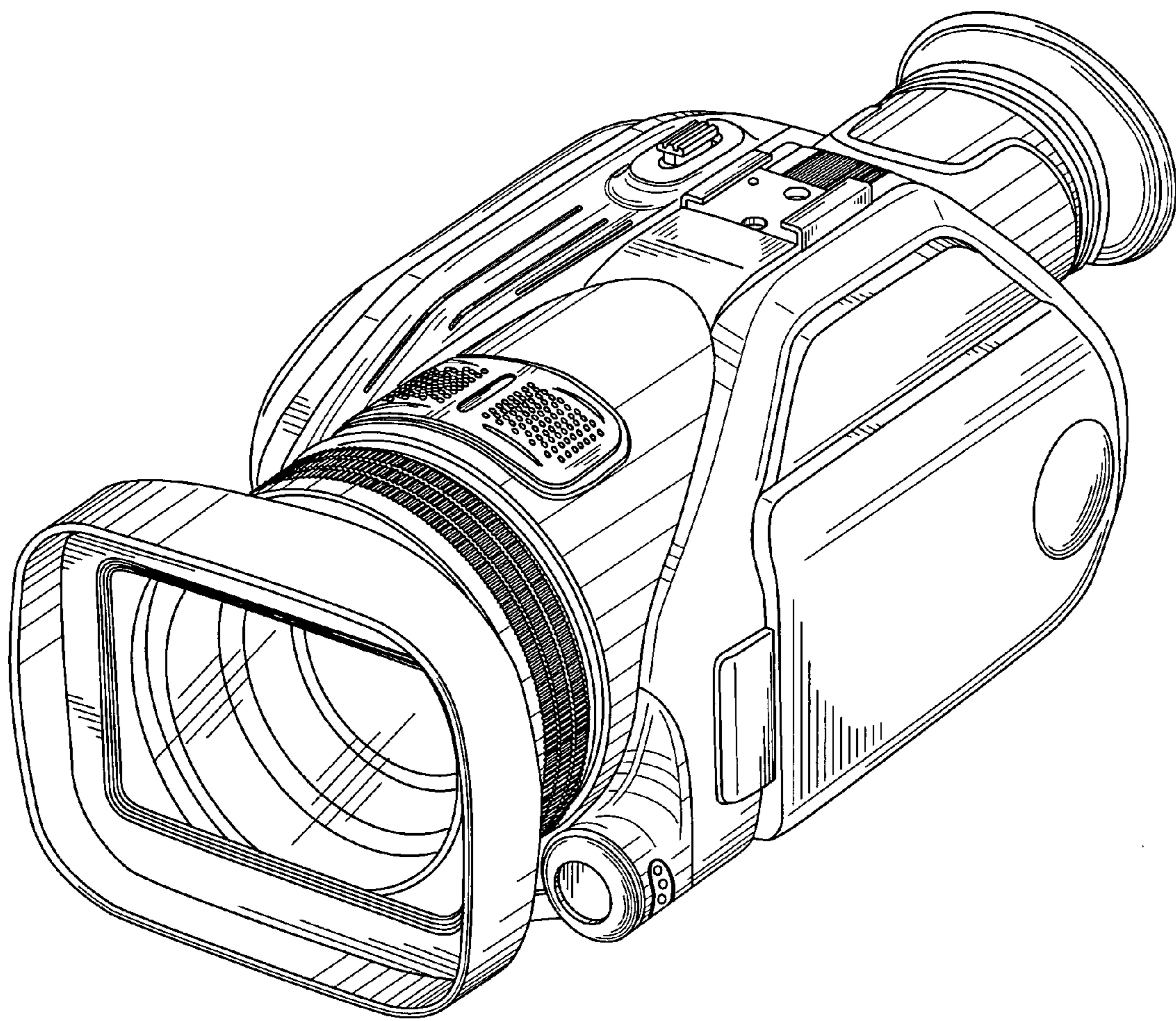


Fig.2

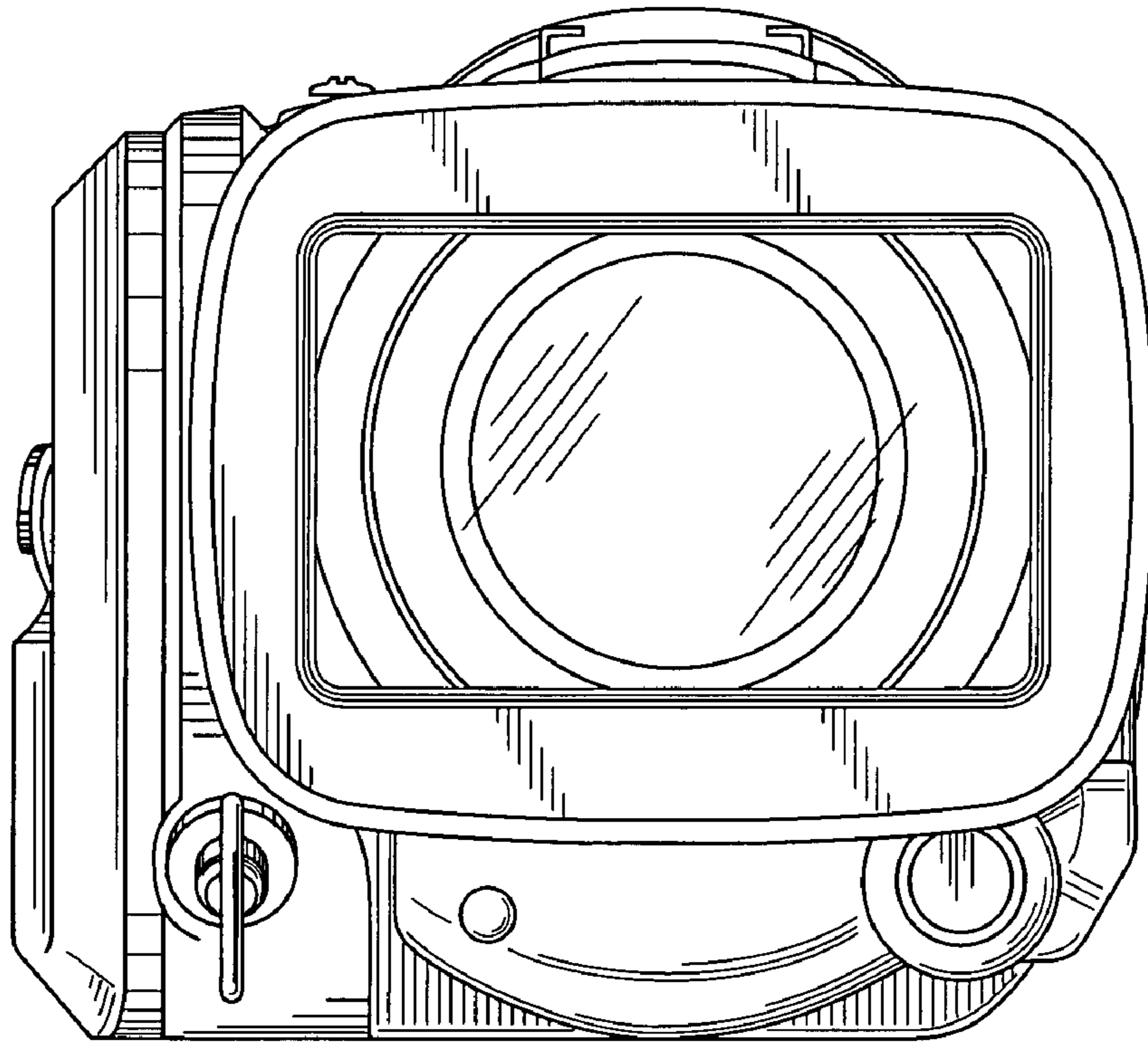


Fig.3

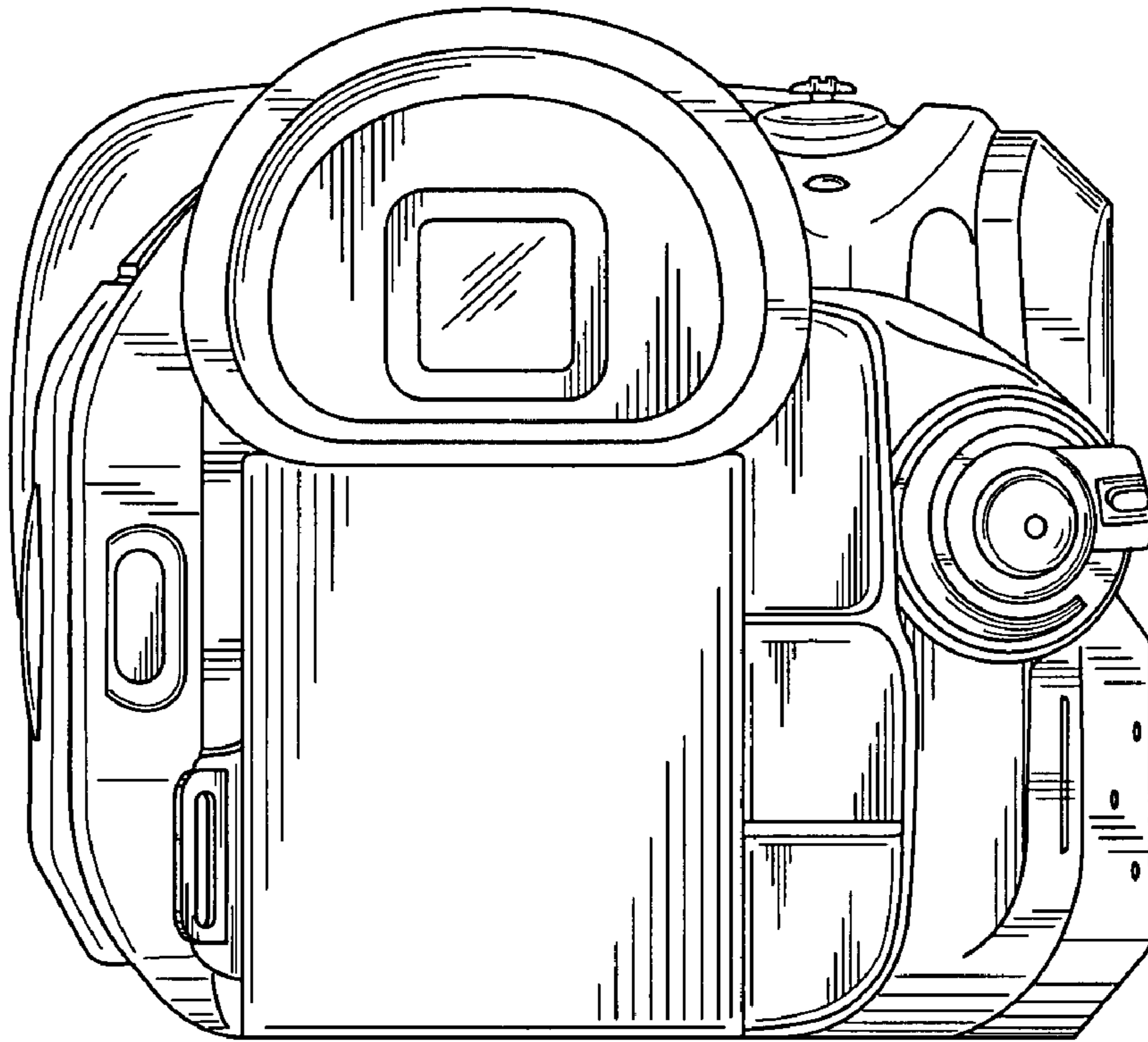


Fig.4

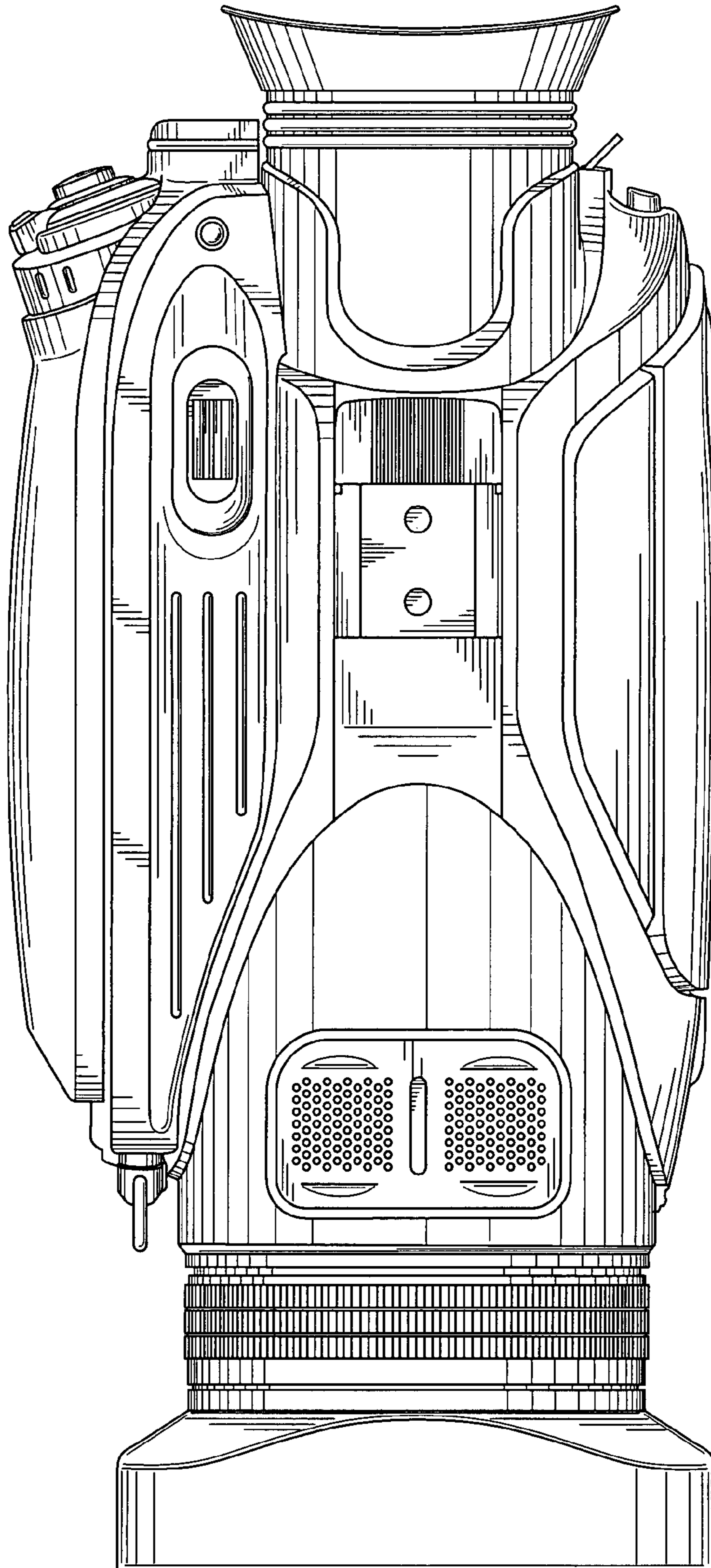


Fig.5

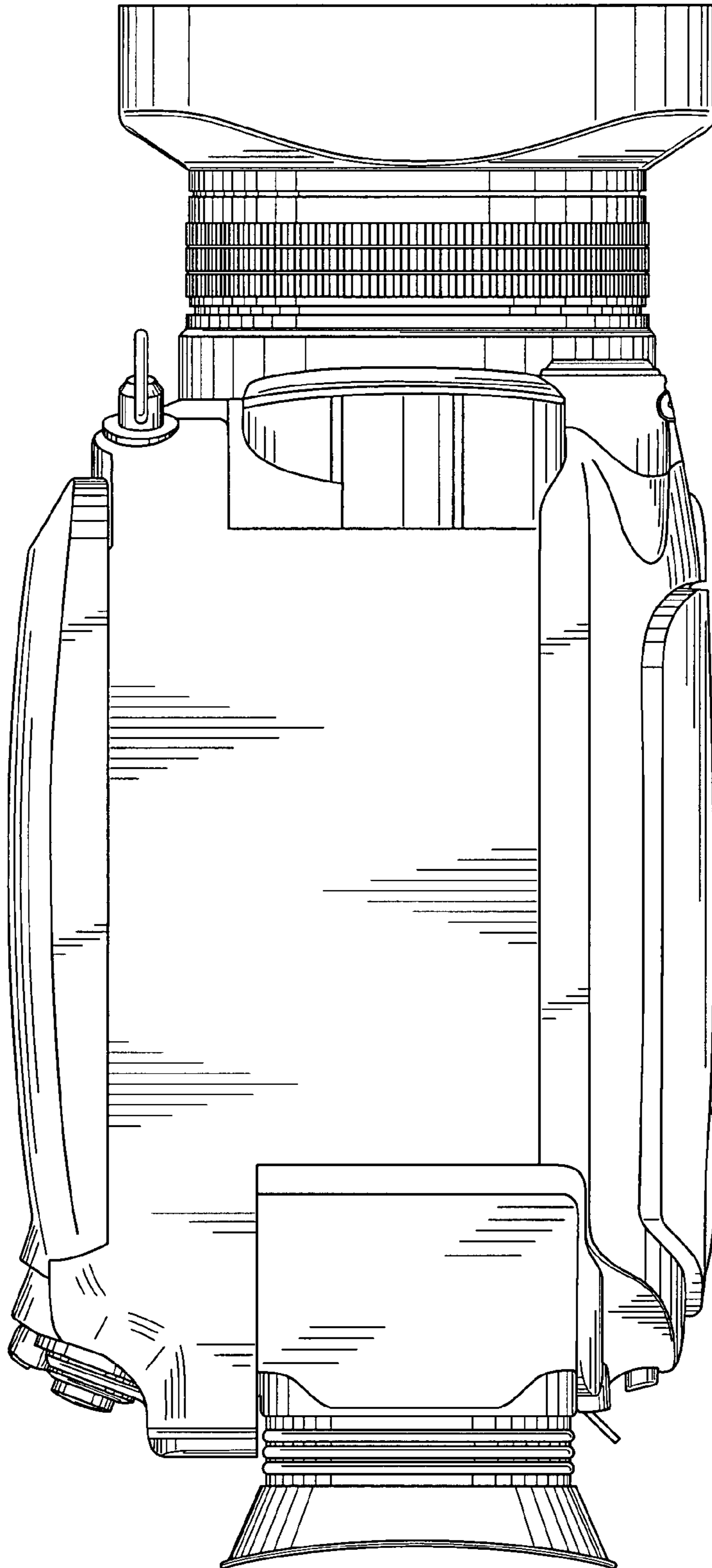


Fig.6

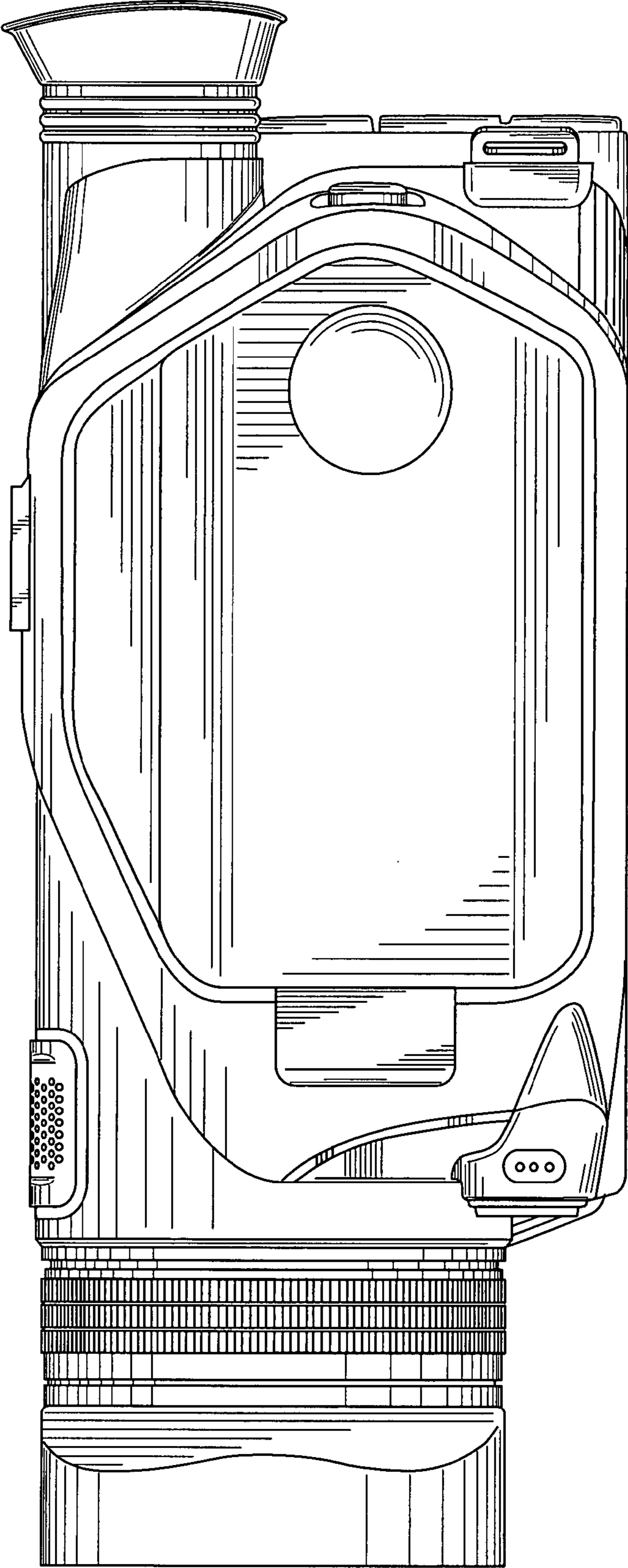


Fig.7

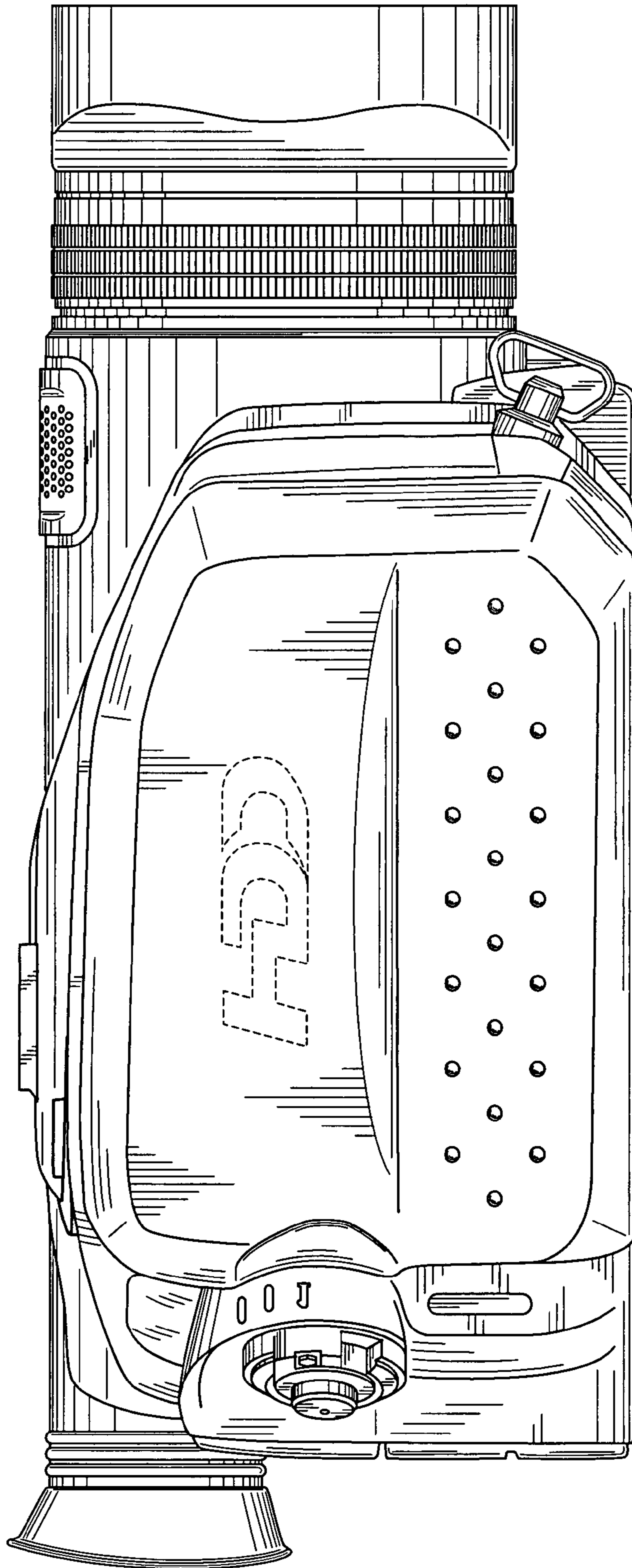




Fig. 8

