

US00D548257S

(12) **United States Design Patent**
Onuma et al.

(10) **Patent No.:** **US D548,257 S**

(45) **Date of Patent:** **** Aug. 7, 2007**

(54) **DIGITAL CAMERA**

2005/0057685 A1* 3/2005 Yamaguchi 348/375

(75) Inventors: **Koki Onuma**, Tokyo (JP); **Akira Watanabe**, Saitama (JP)

* cited by examiner

Primary Examiner—Adir Aronovich

(73) Assignee: **PENTAX Corporation**, Tokyo (JP)

(74) *Attorney, Agent, or Firm*—Sughrue Mion, PLLC

(**) Term: **14 Years**

(57) **CLAIM**

(21) Appl. No.: **29/254,277**

The ornamental design for a digital camera, as shown and described.

(22) Filed: **Feb. 22, 2006**

(30) **Foreign Application Priority Data**

DESCRIPTION

Sep. 2, 2005 (JP) 2005-025473

FIG. 1 is a perspective view of the top, front and right side of a digital camera showing our new design;

(51) **LOC (8) Cl.** **16-01**

FIG. 2 is a perspective view of the top, rear and left side thereof;

(52) **U.S. Cl.** **D16/202**

(58) **Field of Classification Search** D16/200–204,
D16/208, 218, 219; 348/373–376; 358/909.1;
396/535–541

FIG. 3 is a top plan view thereof;

FIG. 4 is a front elevational view thereof;

FIG. 5 is a left side elevational view thereof;

FIG. 6 is a right side elevational view thereof;

FIG. 7 is a rear elevational view thereof;

FIG. 8 is a bottom plan view thereof; and,

See application file for complete search history.

FIG. 9 is a right side elevational view thereof showing the lens in an extended position.

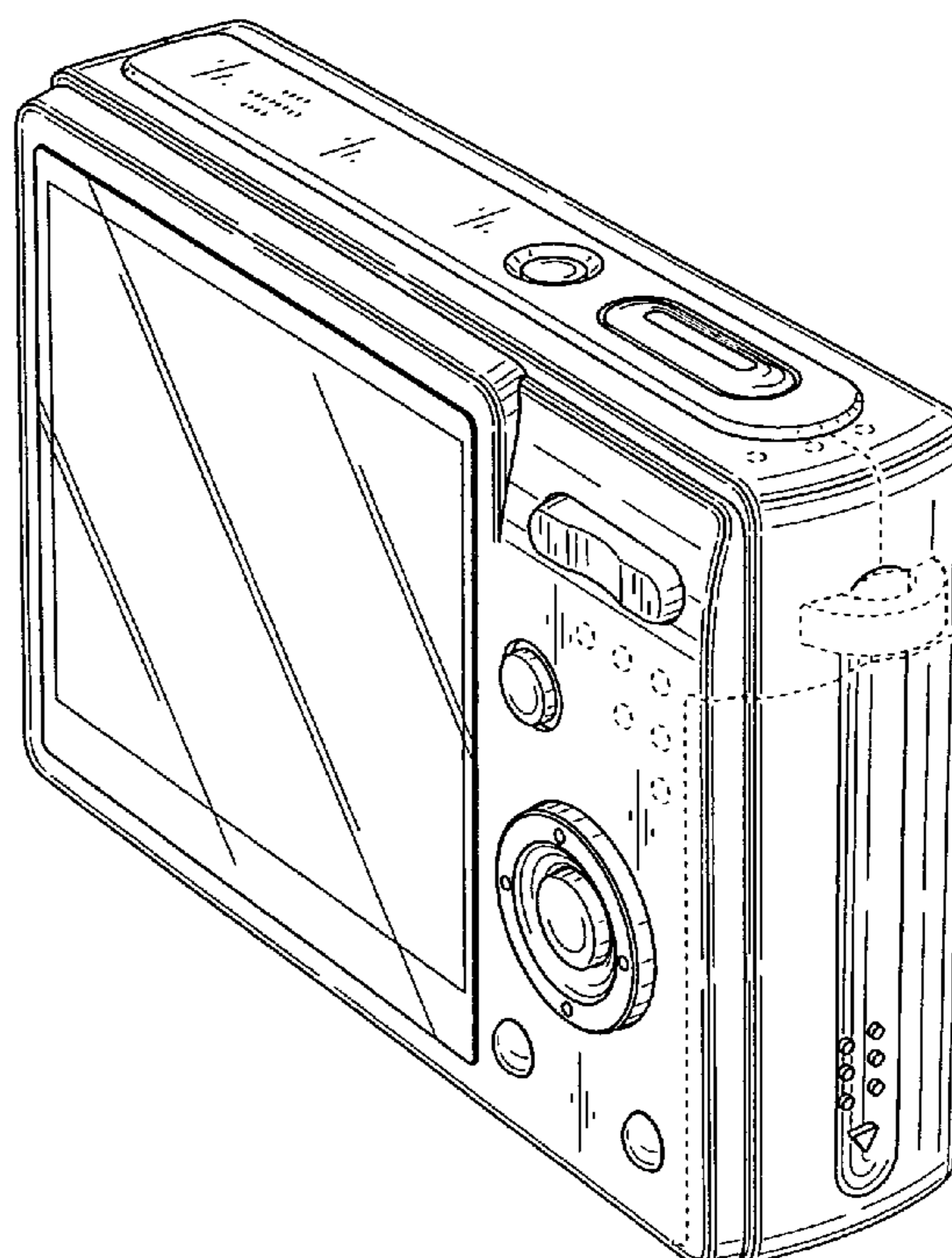
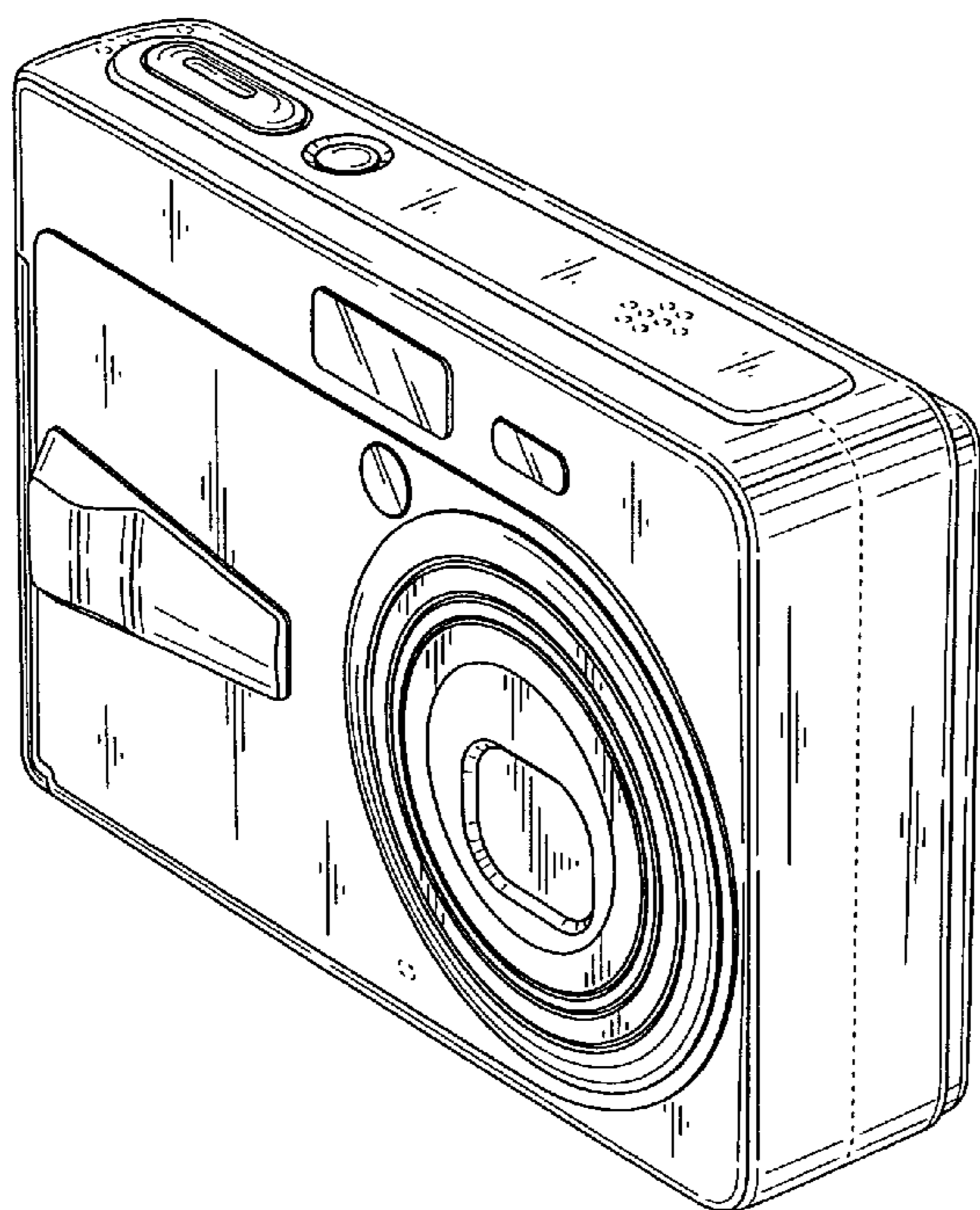
The portions shown in broken lines are for illustrative purposes only and form no part of the claimed design.

(56) **References Cited**

U.S. PATENT DOCUMENTS

4,943,822	A	*	7/1990	von Braunhut	396/373
D496,380	S	*	9/2004	Isomoto	D16/202
D516,599	S	*	3/2006	Nakamura	D16/202
D533,574	S	*	12/2006	Hamamura	D16/202
D533,886	S	*	12/2006	Shimizu	D16/202
D534,564	S	*	1/2007	Tainaka	D16/202
D535,314	S	*	1/2007	Chang	D16/202

1 Claim, 6 Drawing Sheets



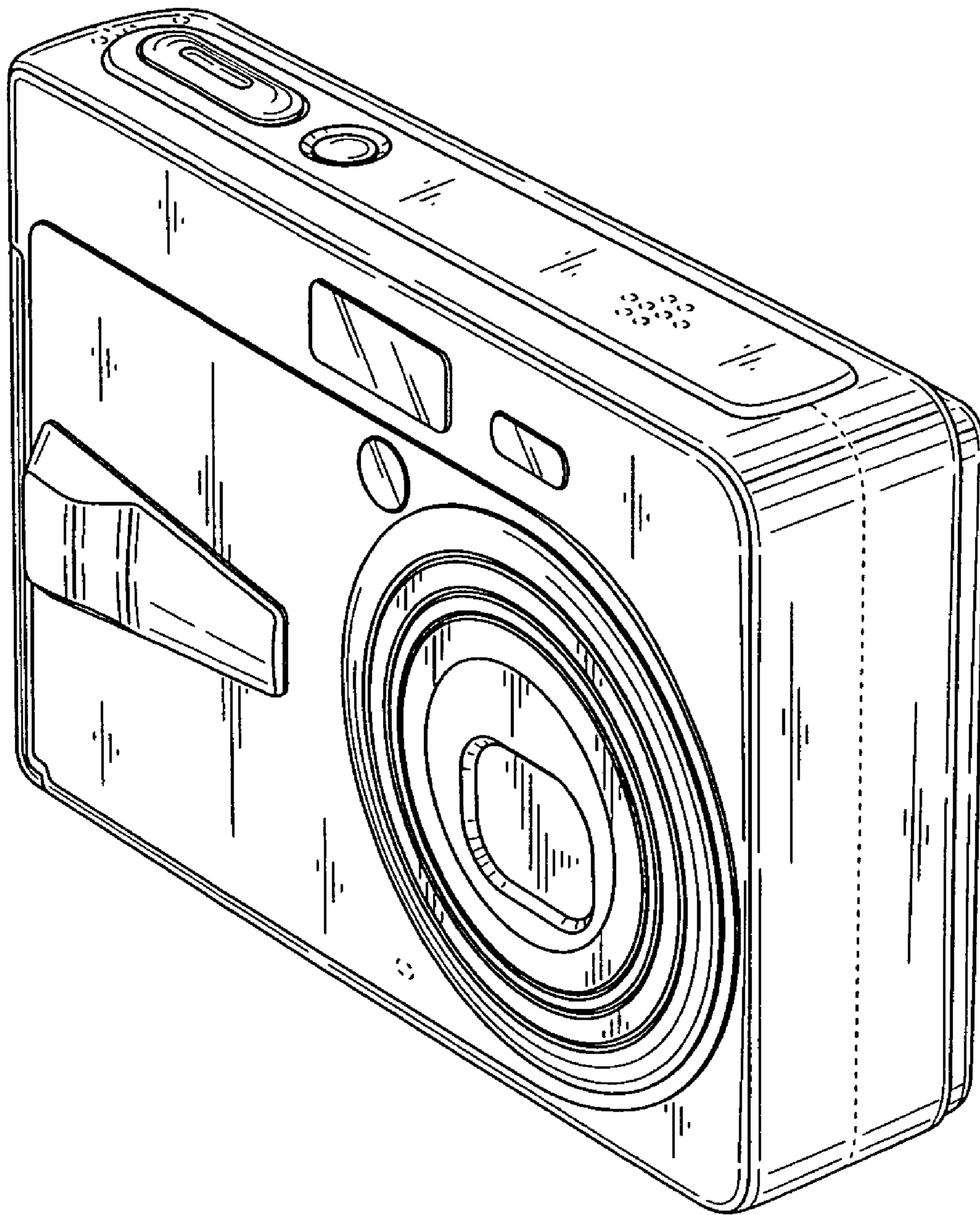


FIG. 1

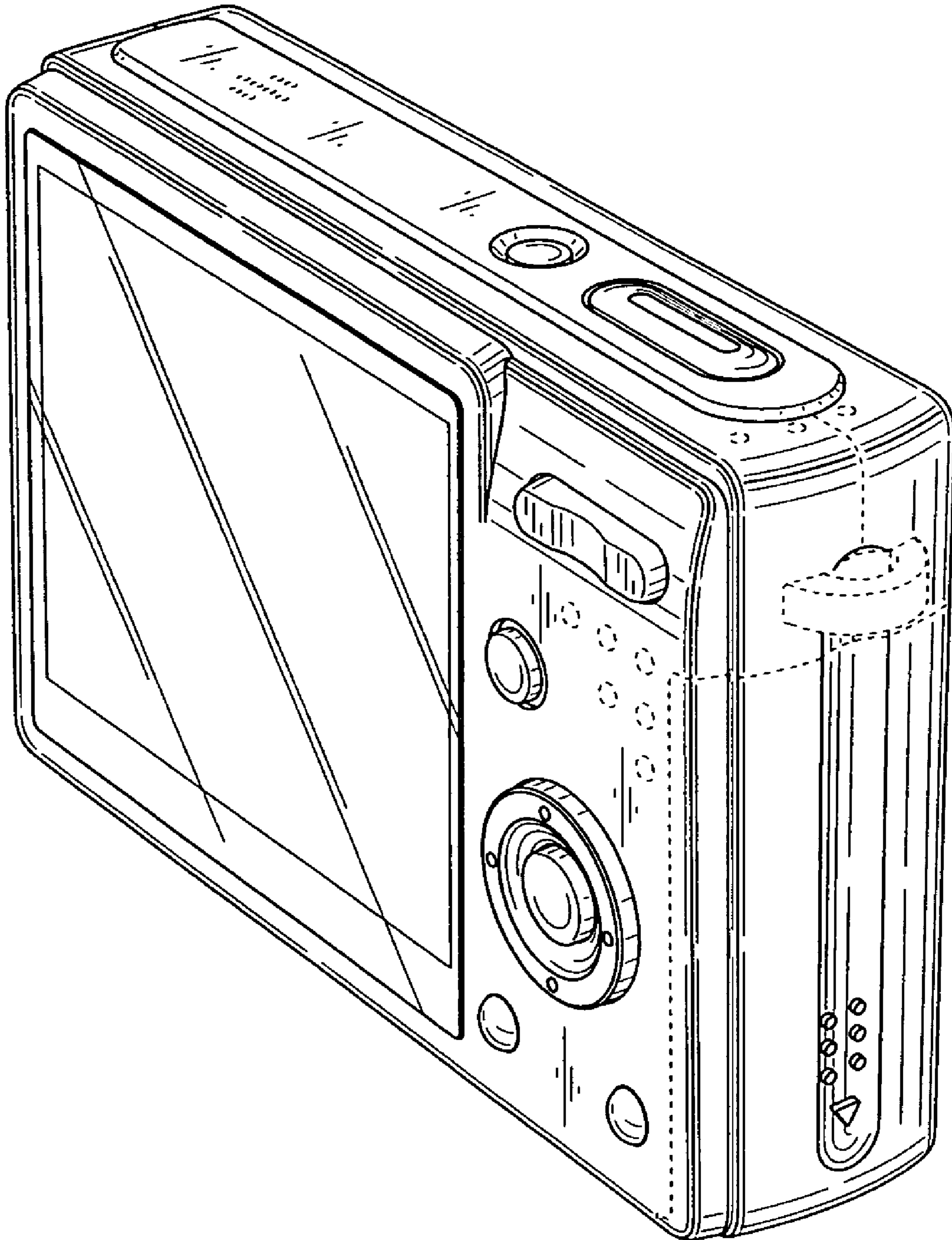


FIG. 2

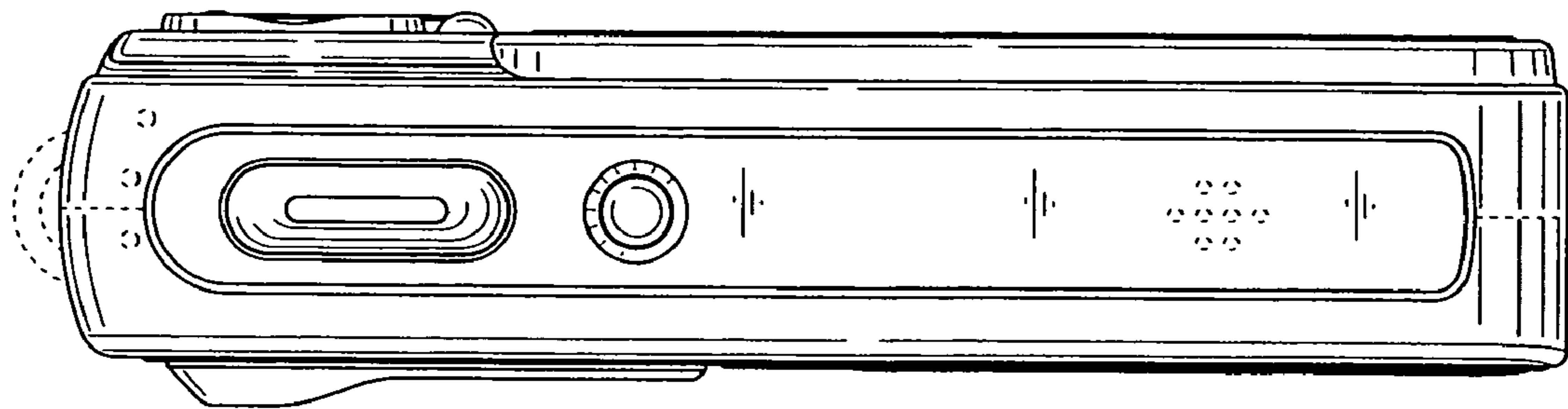


FIG. 3

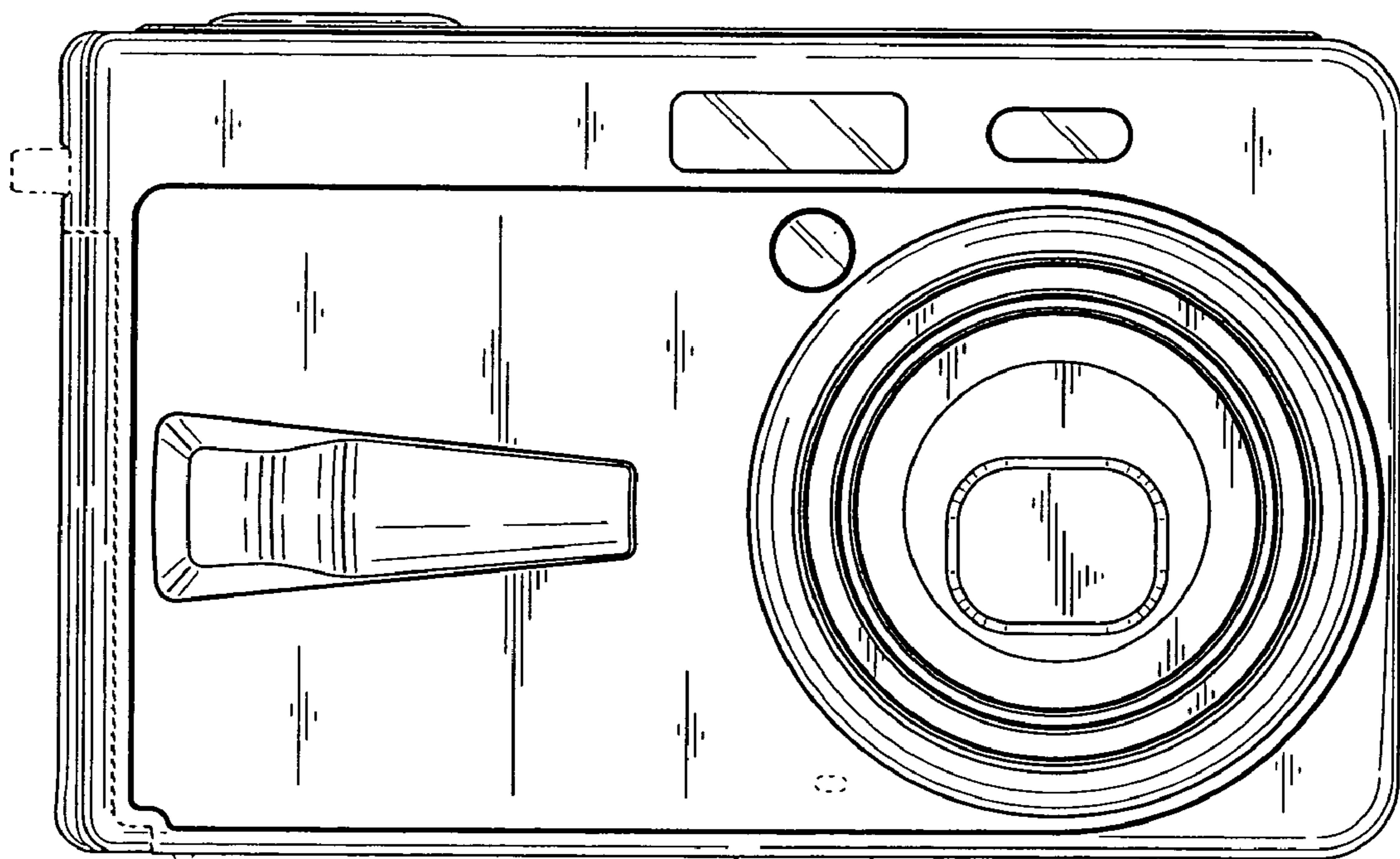


FIG. 4

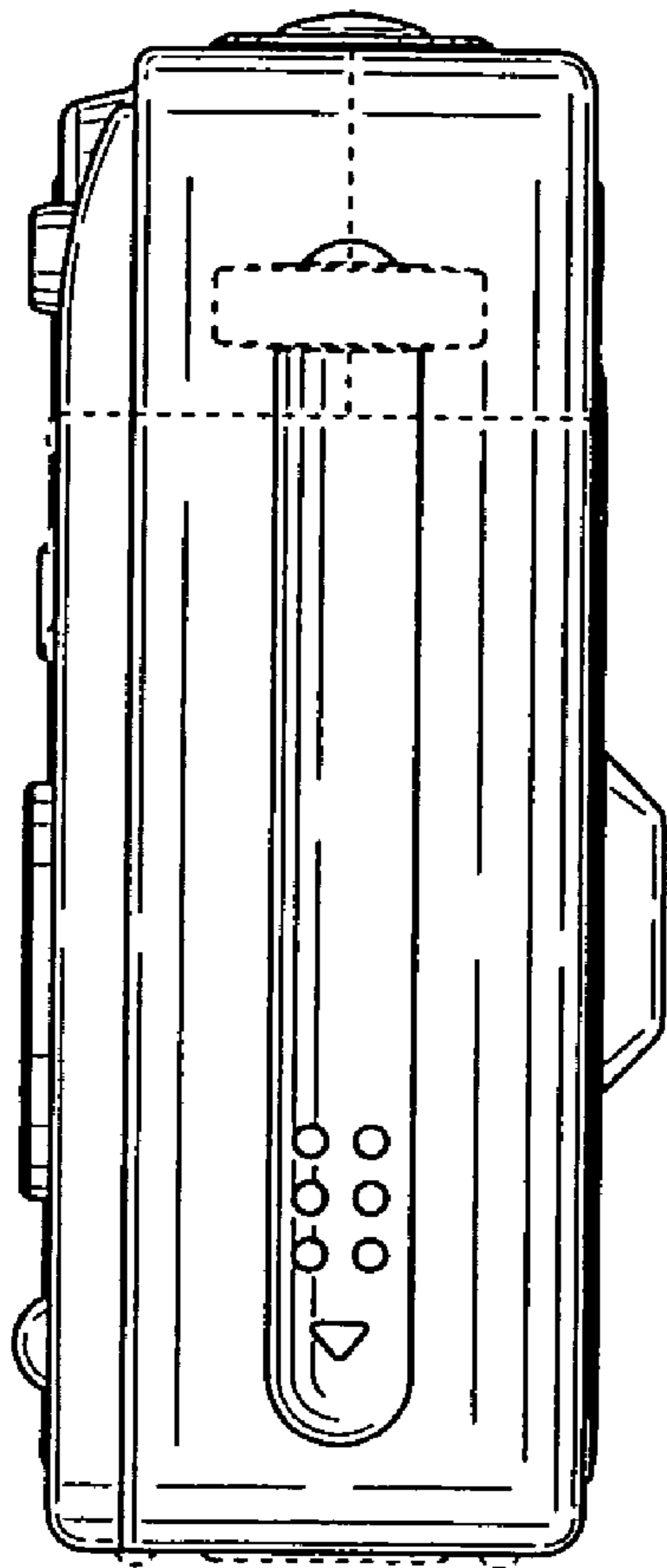


FIG. 5

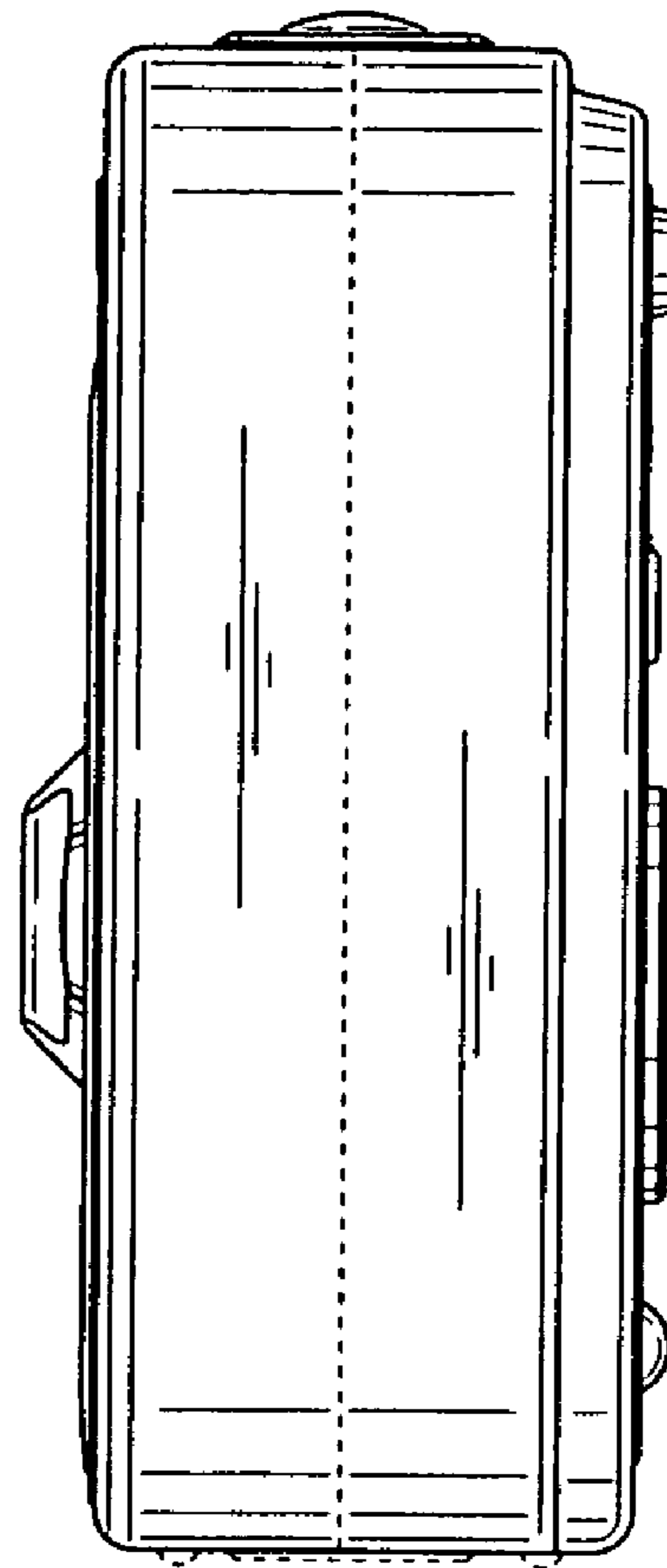


FIG. 6

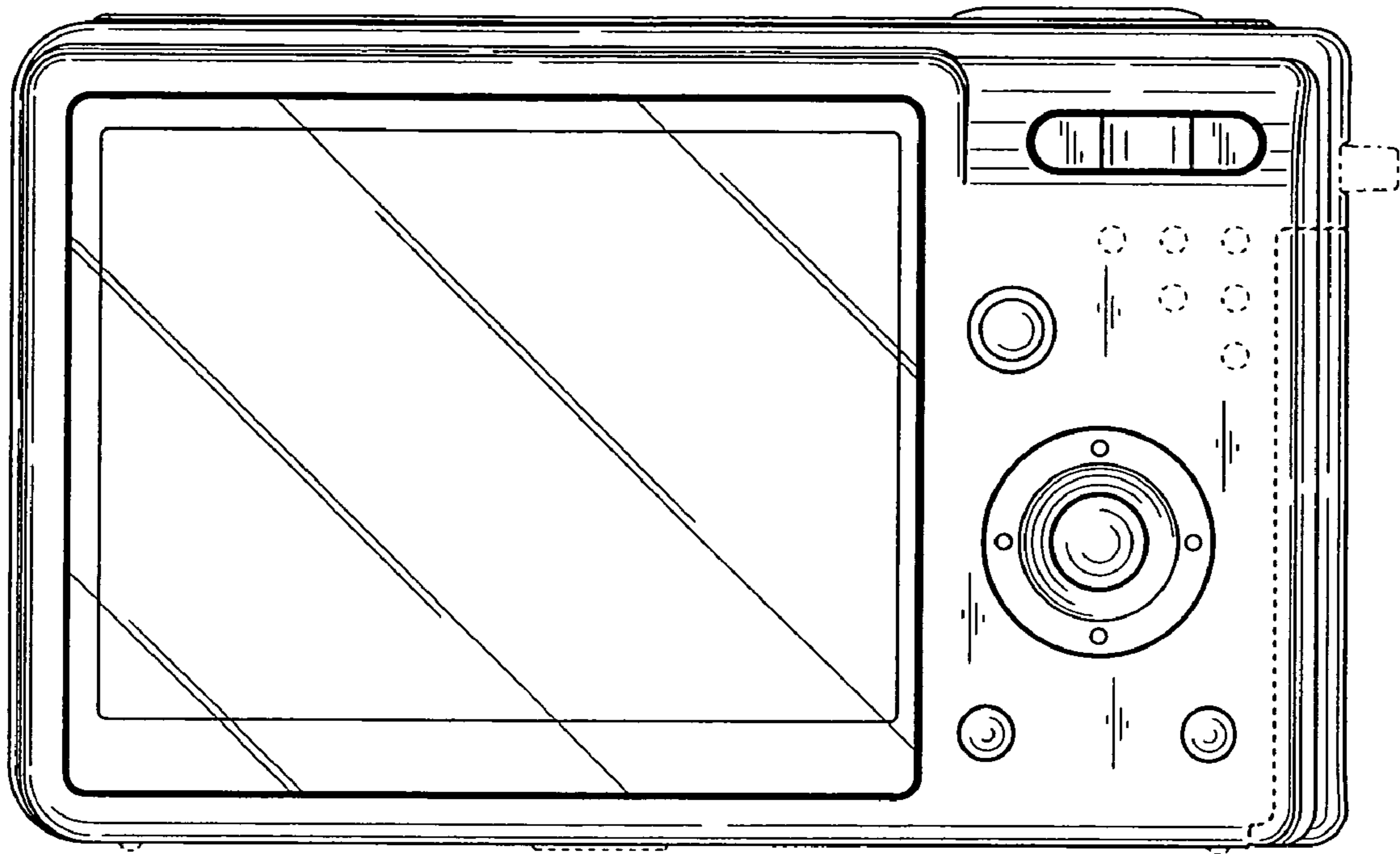


FIG. 7

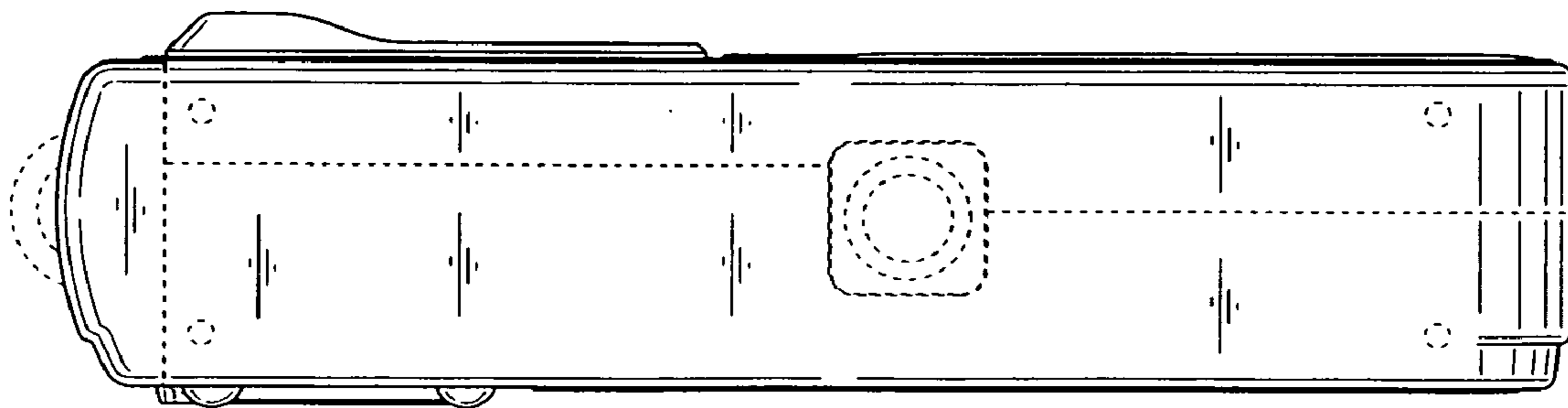


FIG. 8

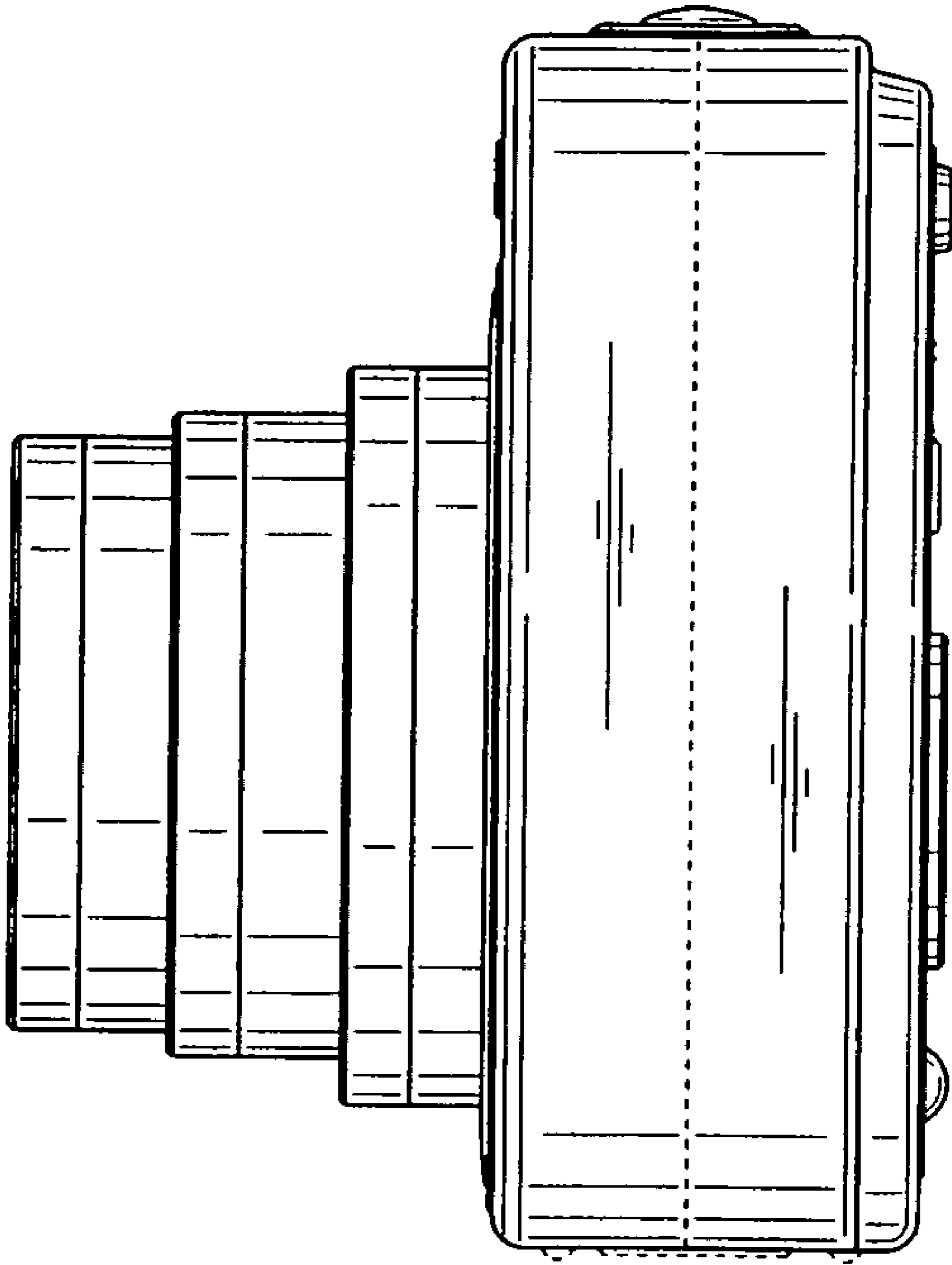


FIG. 9