

US00D548253S

(12) **United States Design Patent**  
**Naruki**

(10) **Patent No.:** **US D548,253 S**

(45) **Date of Patent:** **\*\* Aug. 7, 2007**

(54) **DIGITAL VIDEO CAMERA**

(75) Inventor: **Masatomo Naruki**, Kawasaki (JP)

(73) Assignee: **Kabushiki Kaisha Toshiba** (JP)

(\*\*) Term: **14 Years**

(21) Appl. No.: **29/239,754**

(22) Filed: **Oct. 5, 2005**

(30) **Foreign Application Priority Data**

Aug. 10, 2005 (JP) ..... 2005-023249

(51) **LOC (8) Cl.** ..... **16-01**

(52) **U.S. Cl.** ..... **D16/202; 16/205**

(58) **Field of Classification Search** ..... D16/200–206,  
D16/208, 218; 348/373–376; 358/906,  
358/909.1; 396/535–541

See application file for complete search history.

(56) **References Cited**

**U.S. PATENT DOCUMENTS**

D407,097 S *	3/1999	Suzuki et al. ....	D16/202
D446,800 S *	8/2001	Fukushima et al. ....	D16/205
D463,469 S	9/2002	Kawase	
D467,260 S	12/2002	Kawase	
D479,726 S	9/2003	Tanaka	
D481,746 S	11/2003	Lu et al.	
D488,495 S	4/2004	Shimizu	
D499,437 S *	12/2004	Miyamori et al. ....	D16/202
6,912,005 B2 *	6/2005	Senda ..... 348/333.06	
D528,141 S *	9/2006	Kinemura et al. ....	D16/202
D528,142 S *	9/2006	Byun et al. ....	D16/202
D528,575 S *	9/2006	Suzuki et al. ....	D16/202

**FOREIGN PATENT DOCUMENTS**

JP 1113471 7/2001

JP	1131123	1/2002
JP	1227159	1/2005
JP	1239084	5/2005

**OTHER PUBLICATIONS**

B&H Summer 2004 Catalog, pp. 131-137, dated Jun. 2004.

\* cited by examiner

*Primary Examiner*—Adir Aronovich

(74) *Attorney, Agent, or Firm*—Banner & Witcoff, Ltd.

(57) **CLAIM**

The ornamental design for a digital video camera, as shown and described.

**DESCRIPTION**

FIG. 1 is a front, top and right side perspective view of a digital video camera, showing my new design;

FIG. 2 is a front, top and left side perspective view thereof;

FIG. 3 is a rear perspective view thereof with a display in an opened state;

FIG. 4 is a front elevational view thereof;

FIG. 5 is a rear elevational view thereof;

FIG. 6 is a top plan view thereof;

FIG. 7 is a bottom plan view thereof;

FIG. 8 is a right side elevational view thereof;

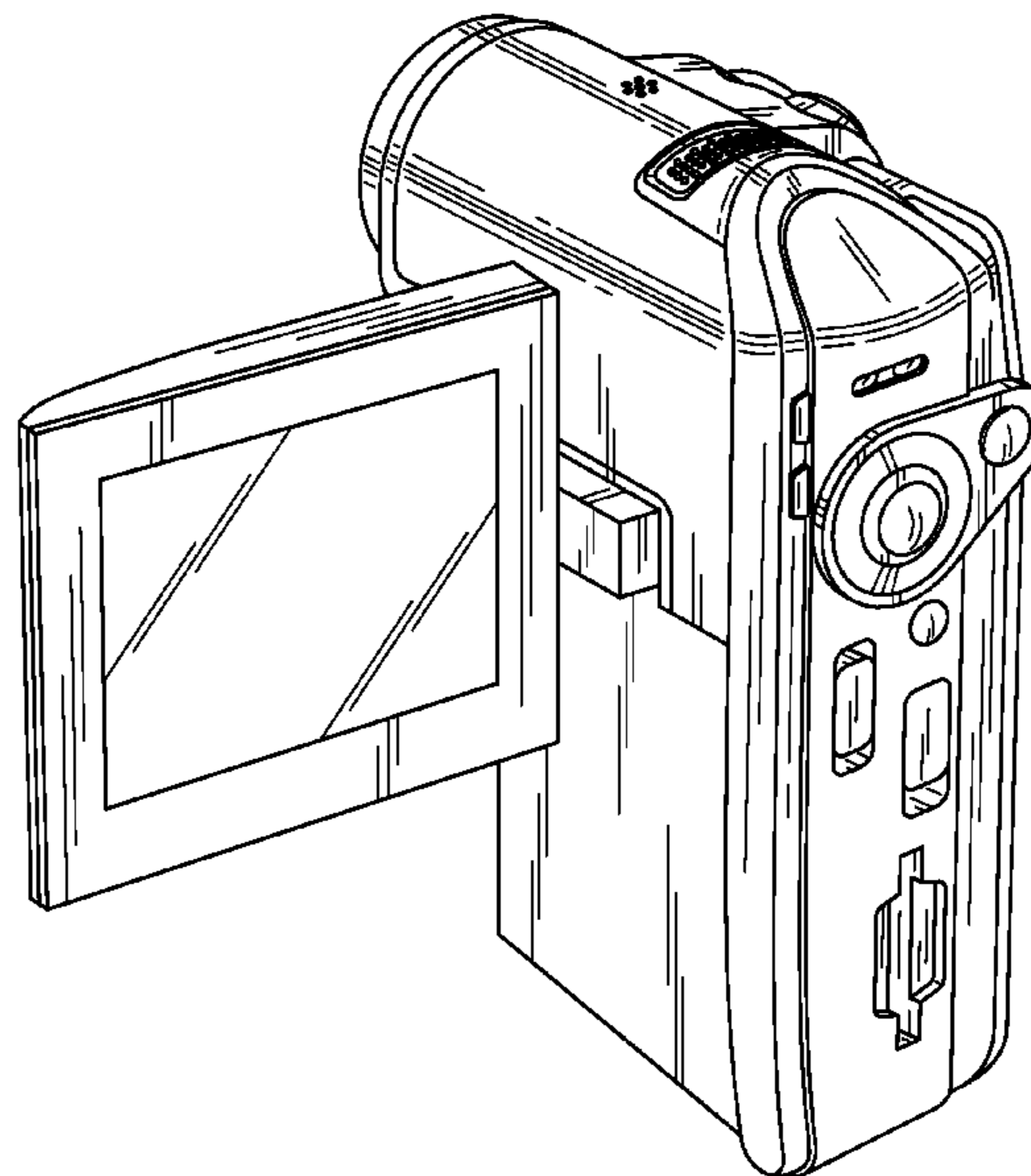
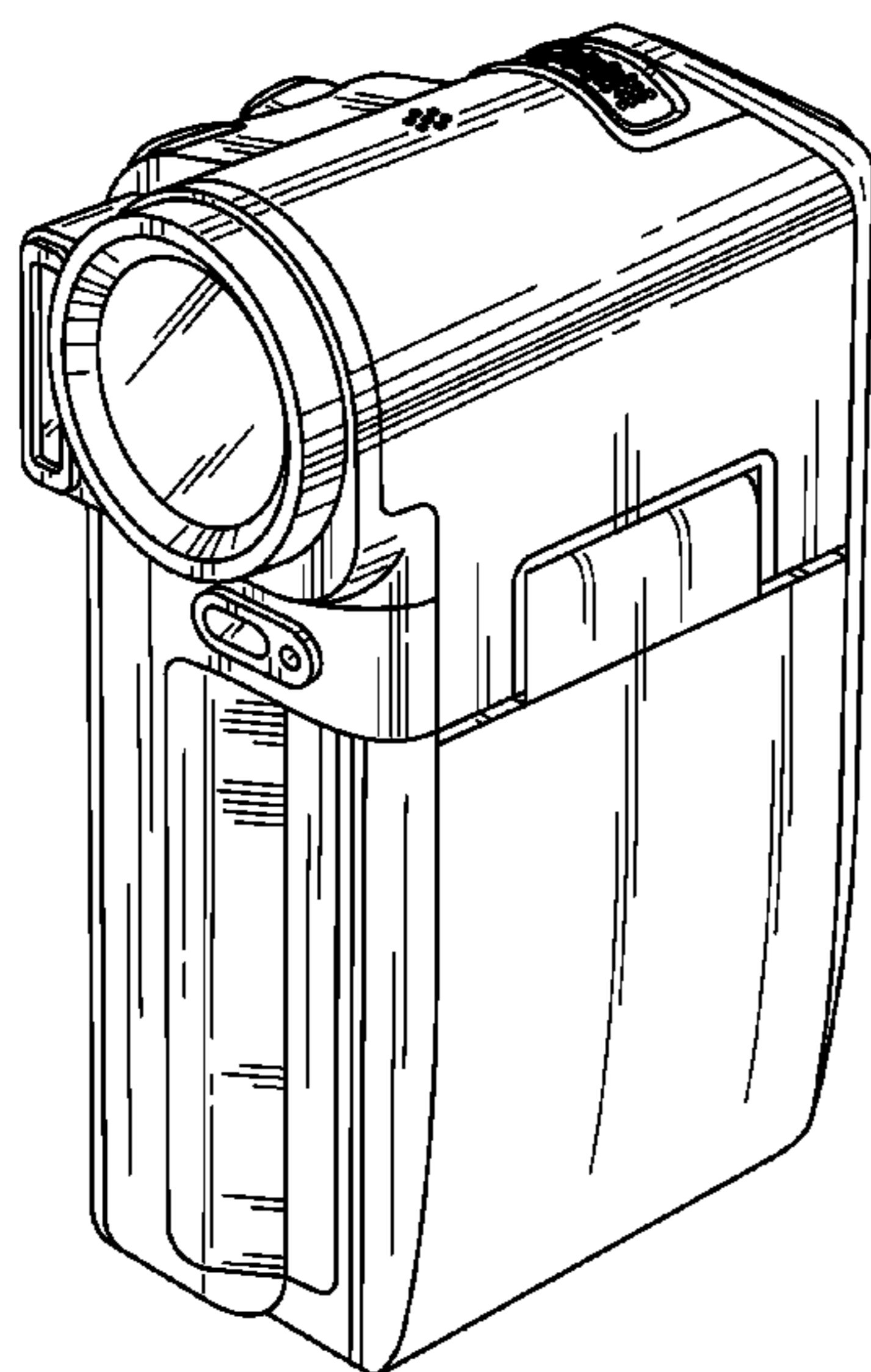
FIG. 9 is a left side elevational view thereof;

FIG. 10 is a right side elevational view thereof with the display in an opened state;

FIG. 11 is a top plan view thereof with the display in an opened state; and,

FIG. 12 is a rear elevational view thereof with the display in an opened state.

**1 Claim, 10 Drawing Sheets**



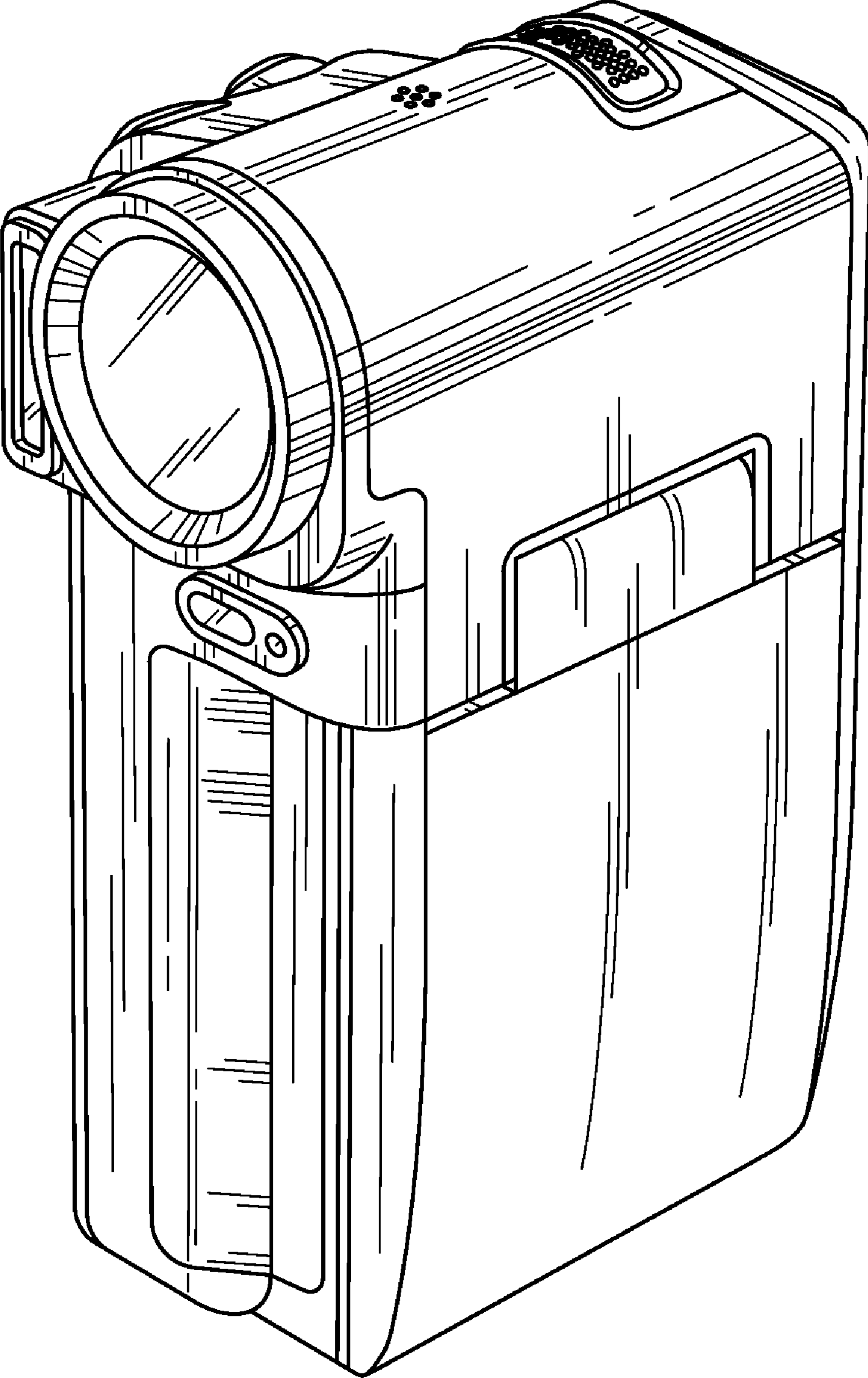


FIG. 1

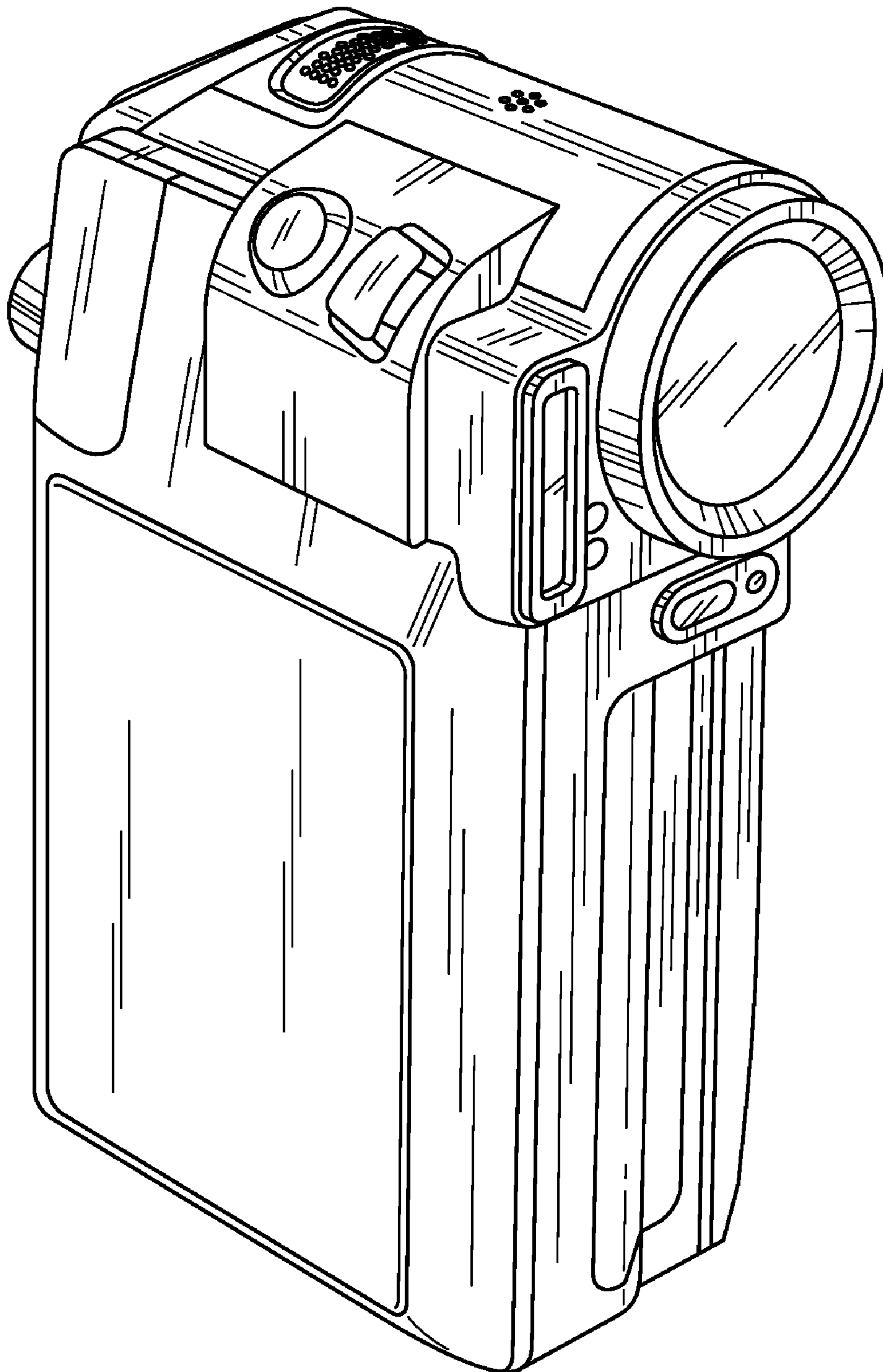


FIG. 2

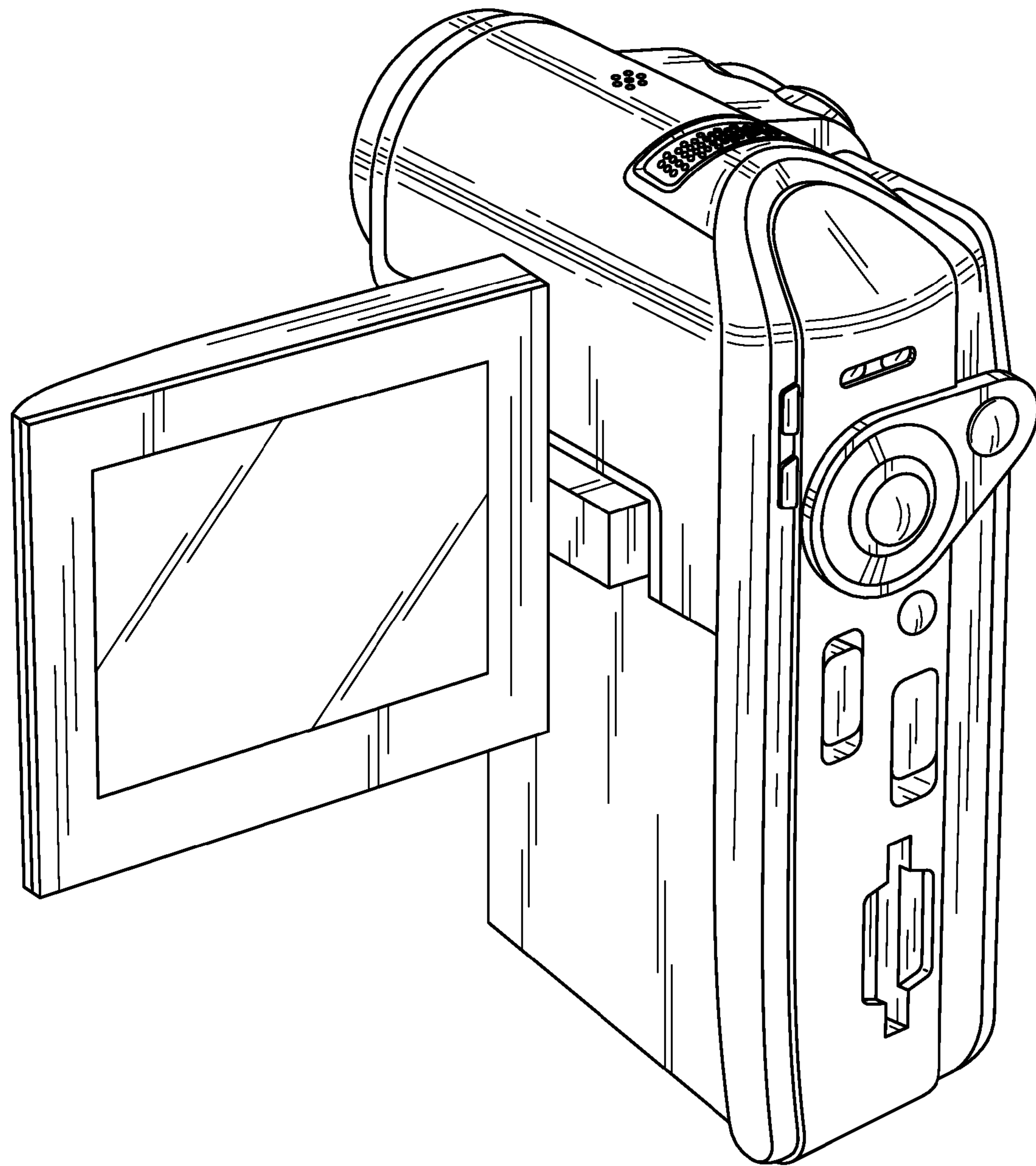


FIG. 3

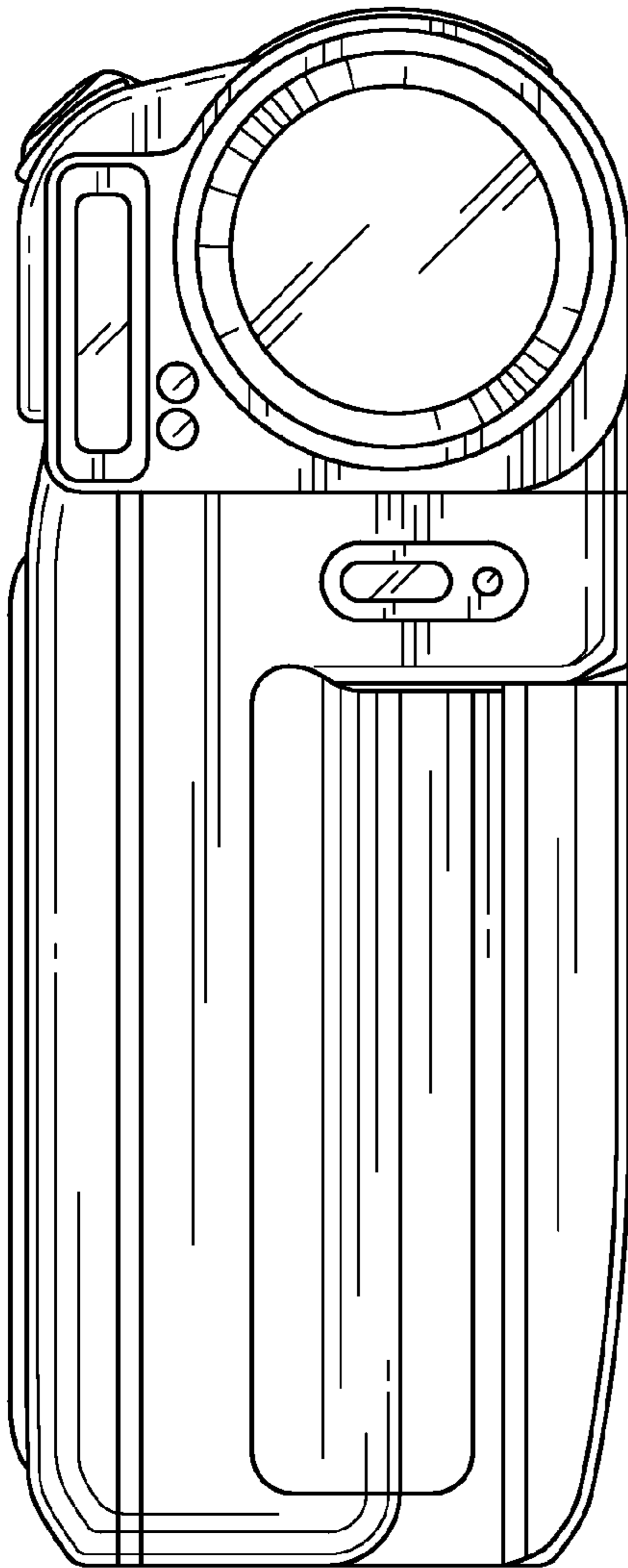


FIG. 4

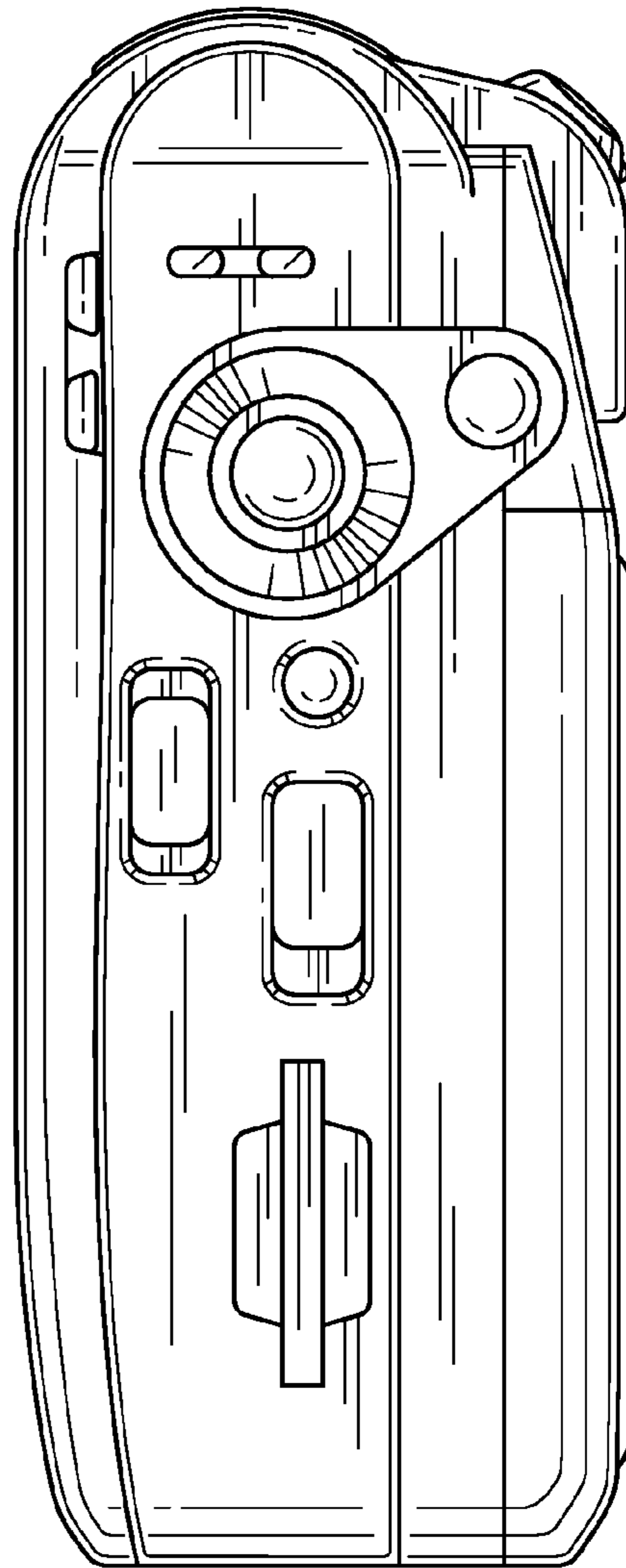


FIG. 5

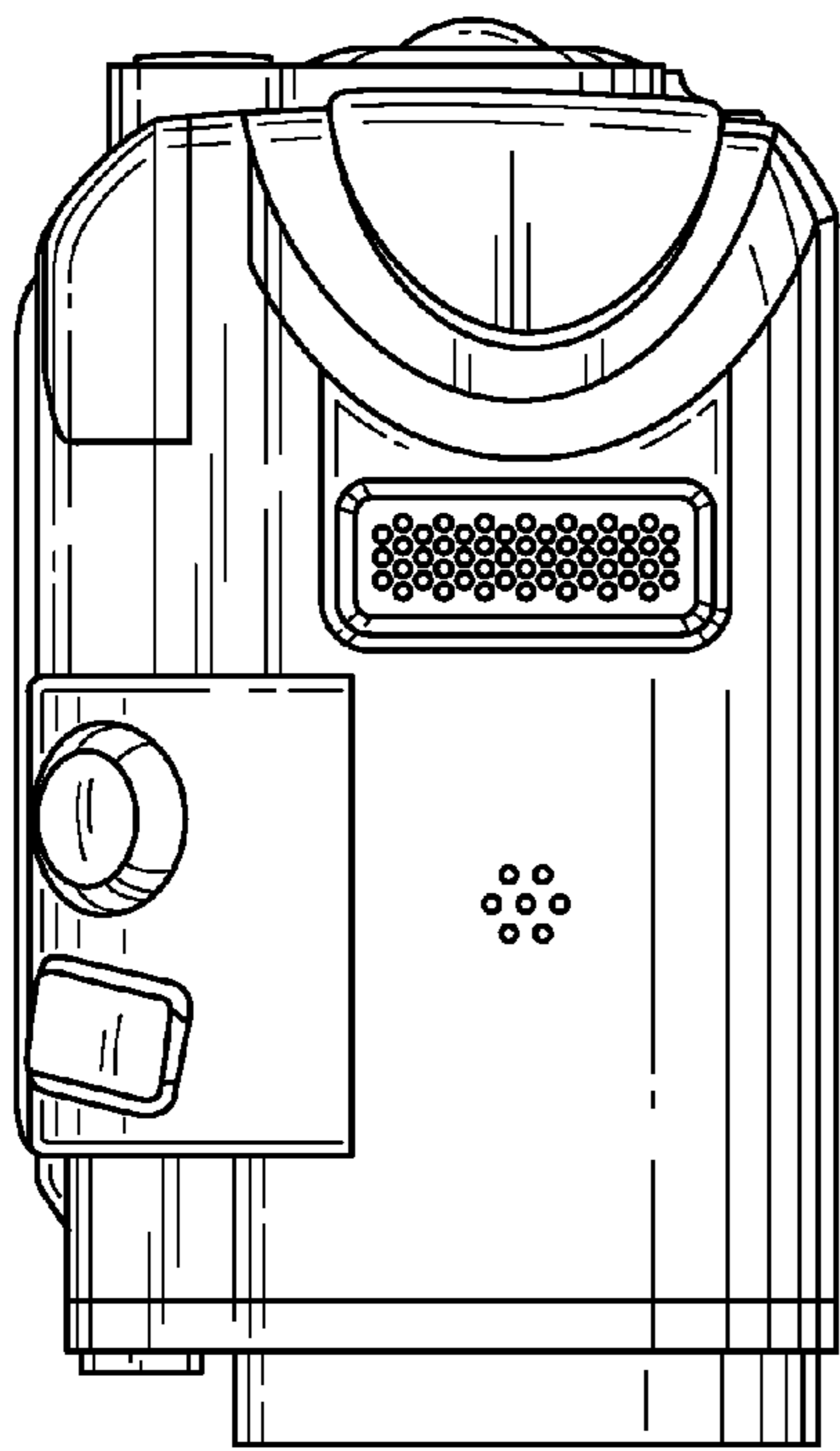


FIG. 6

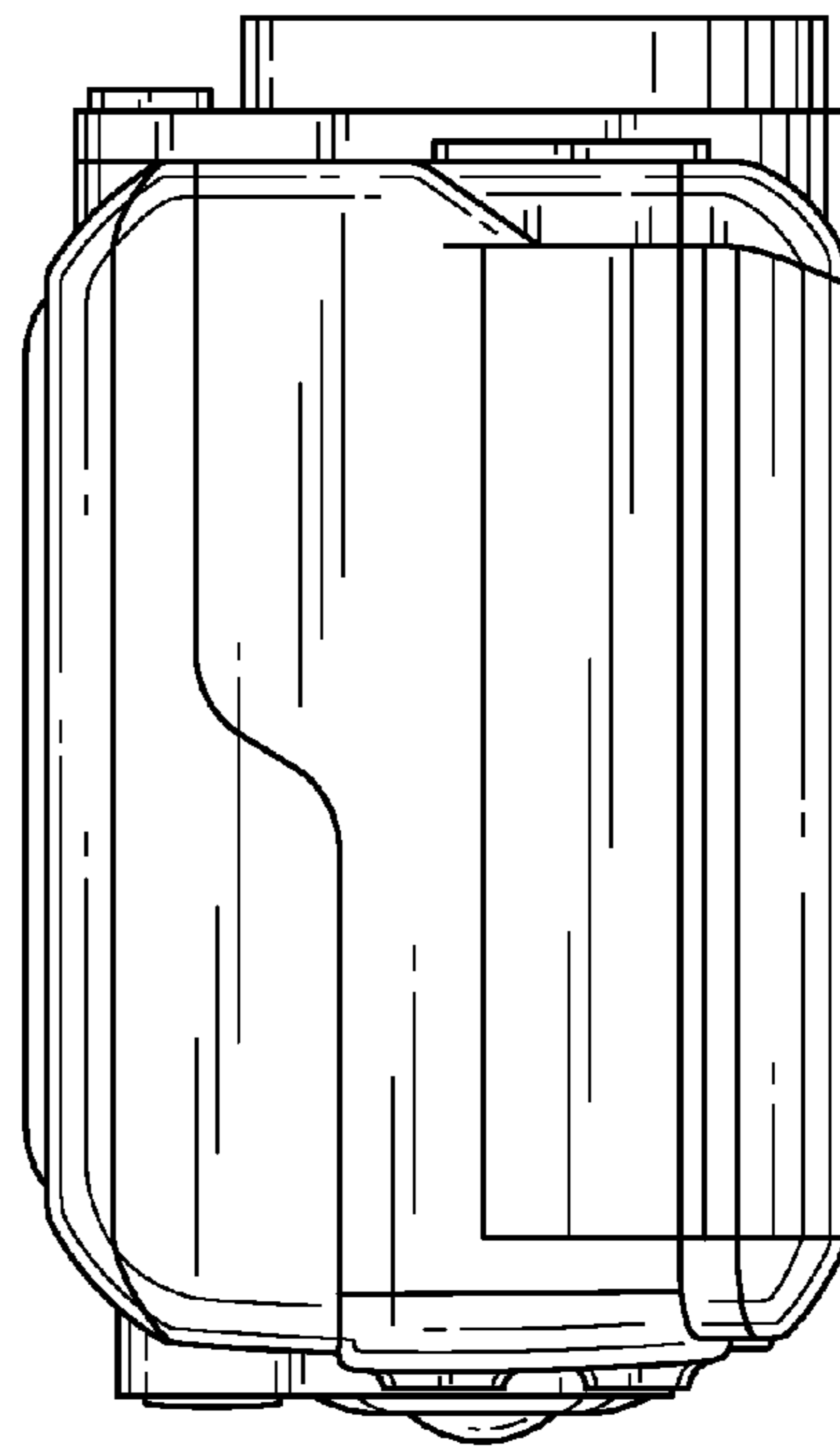


FIG. 7

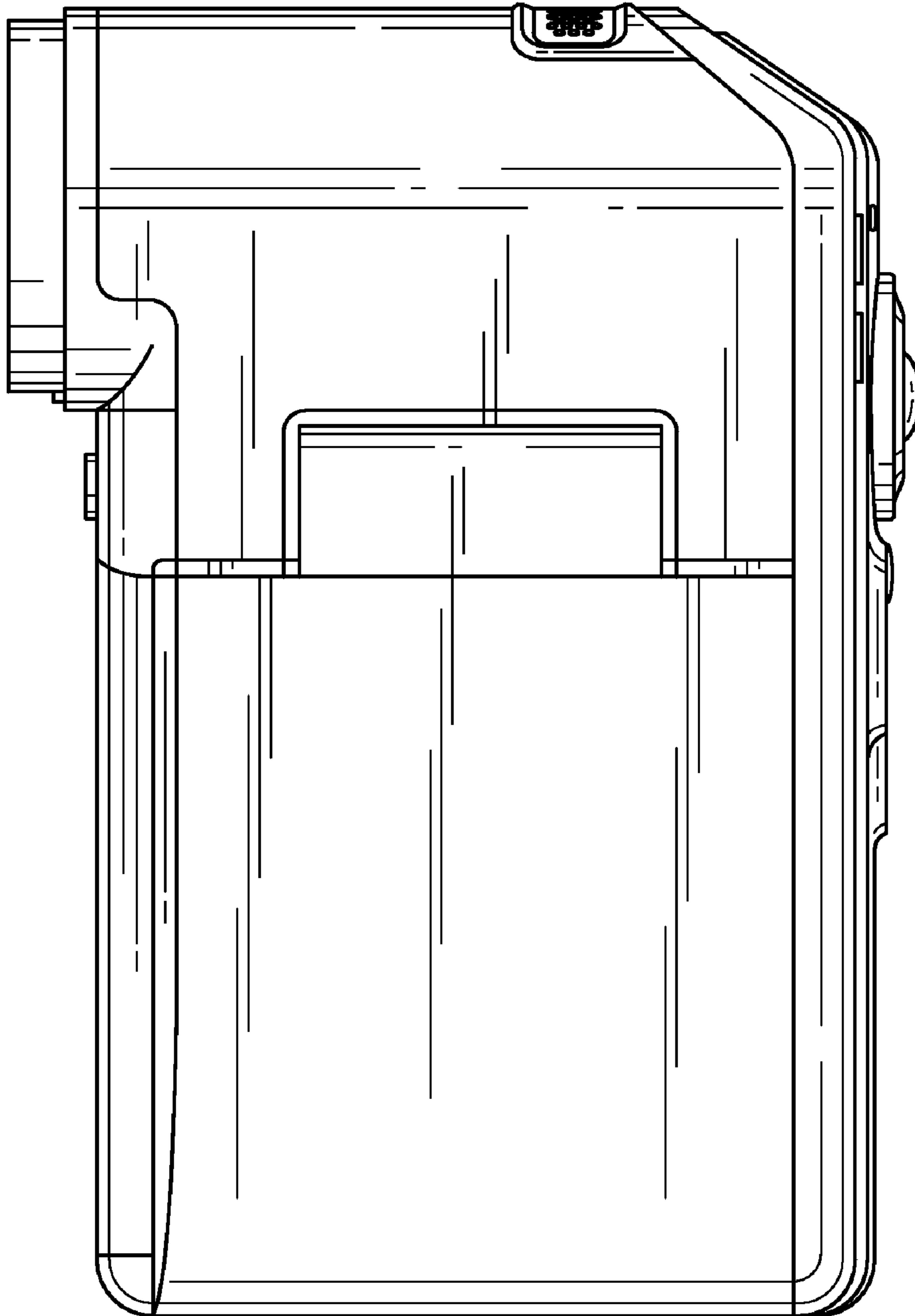


FIG. 8

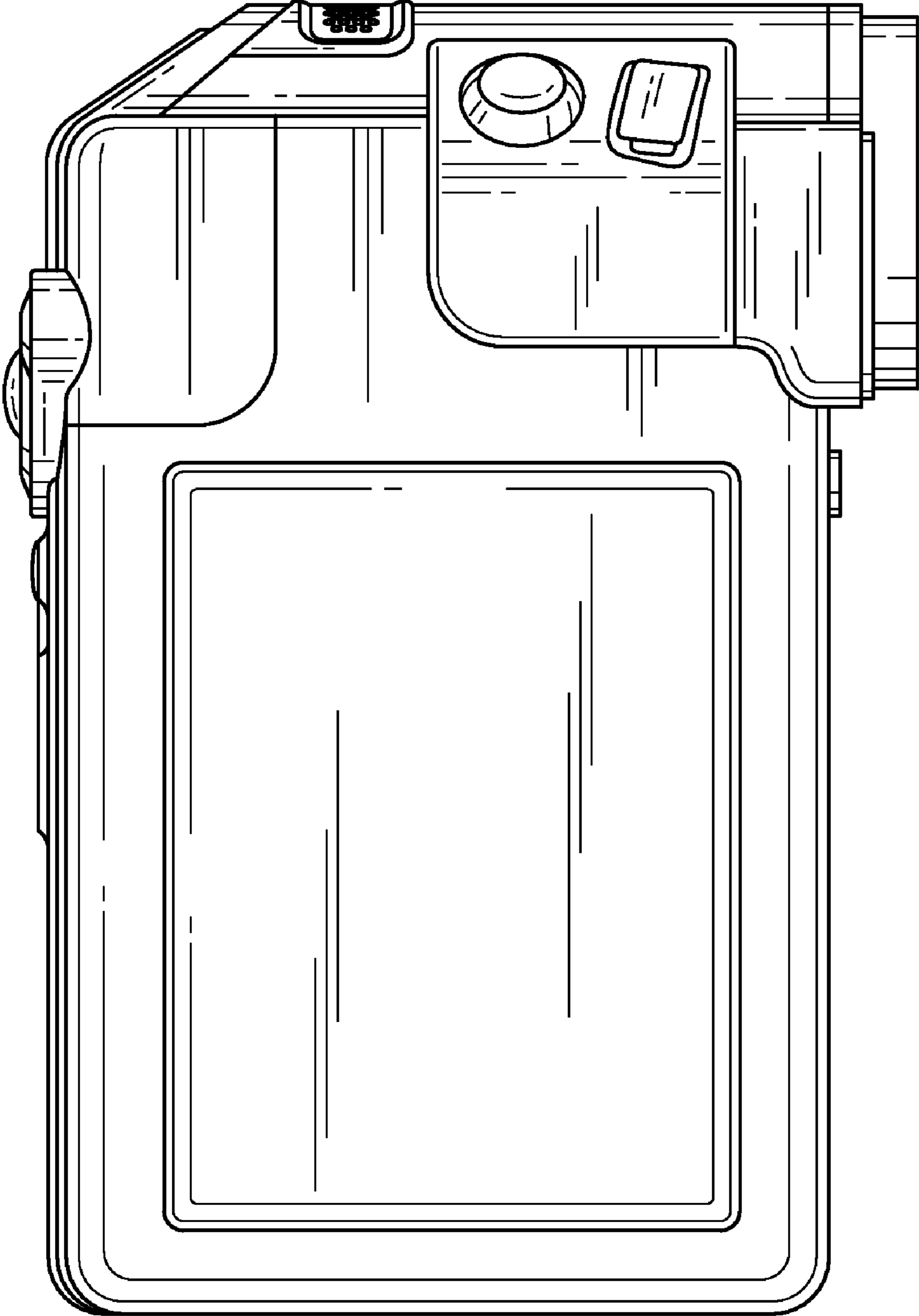


FIG. 9



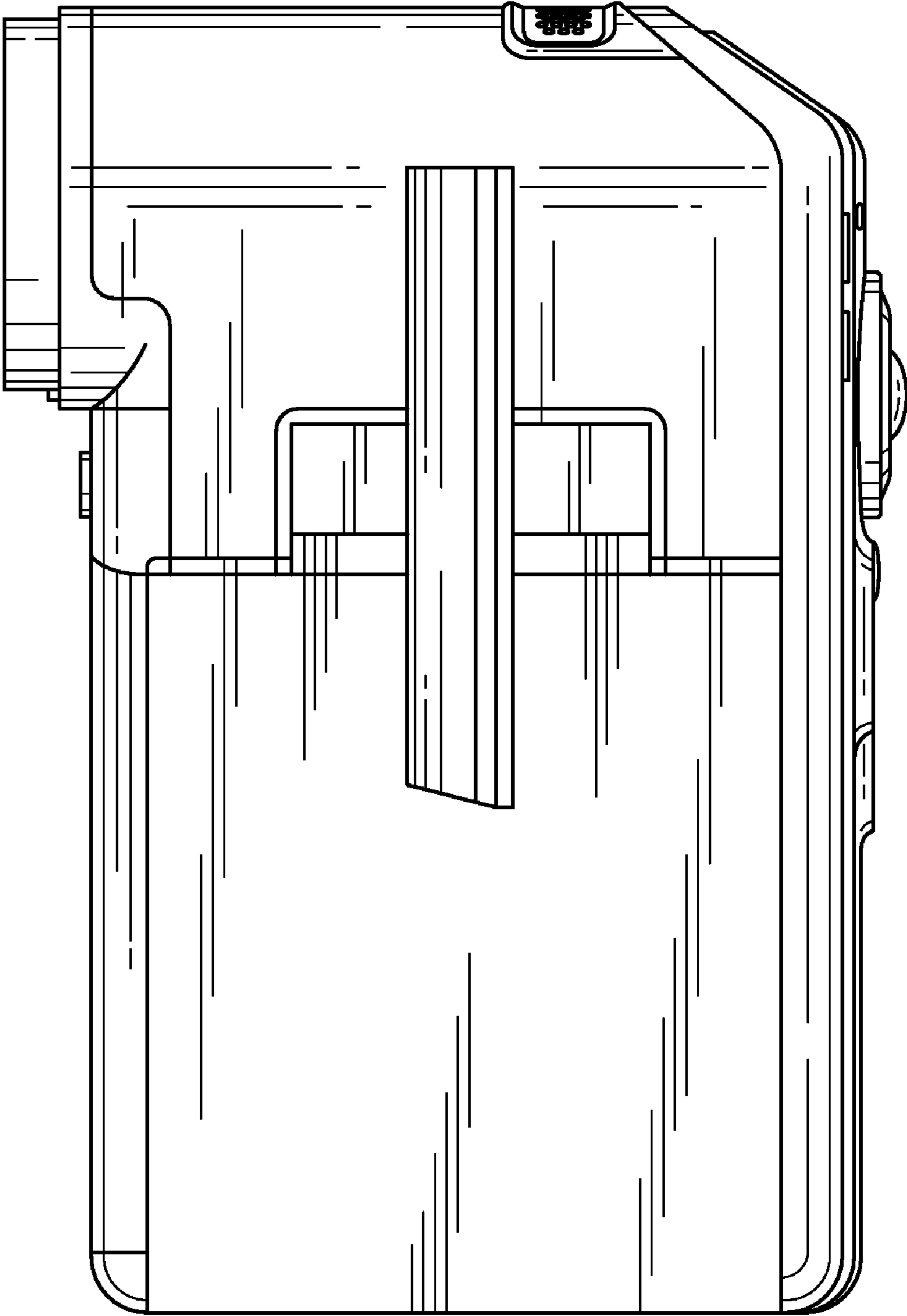


FIG. 10

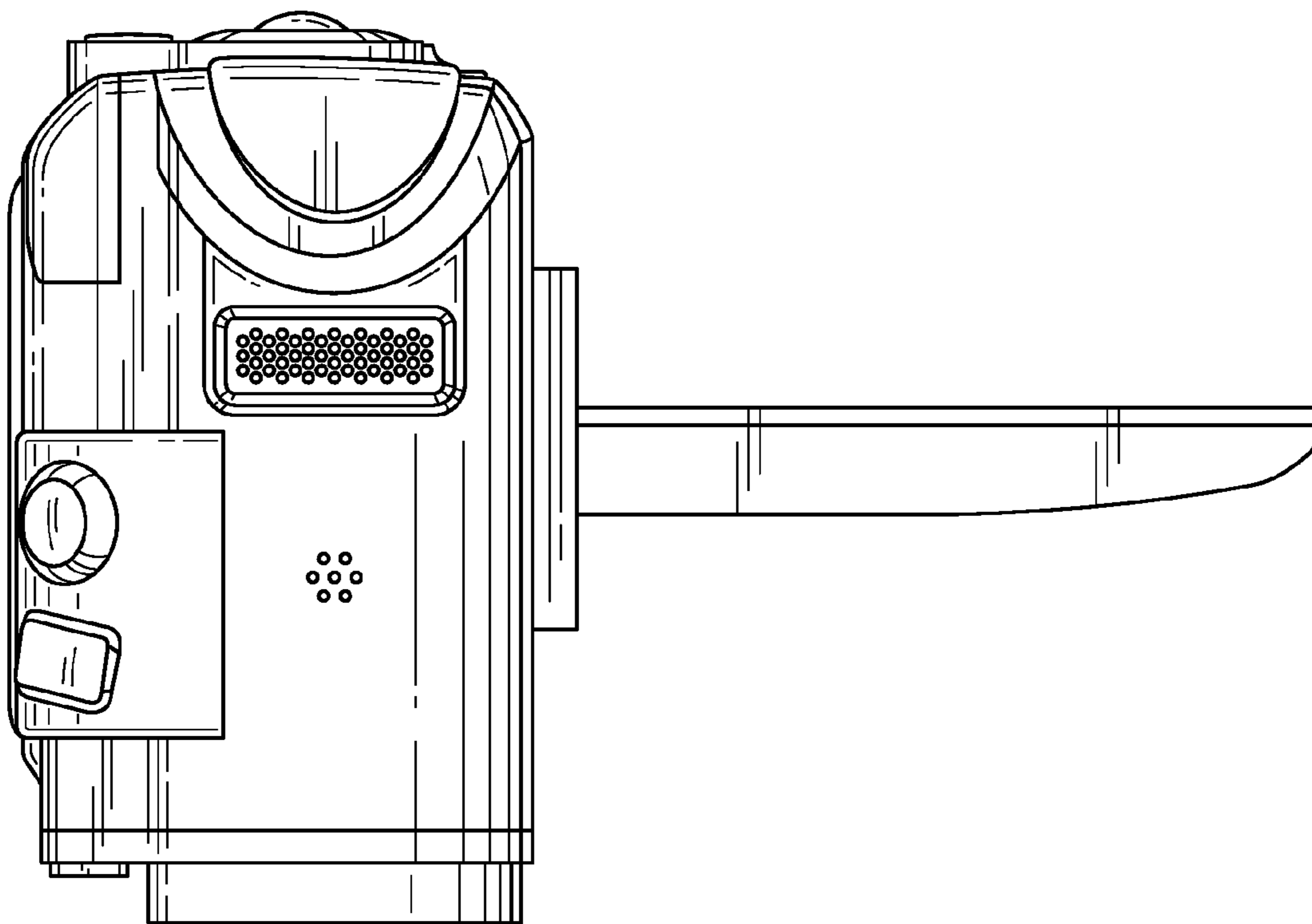


FIG. 11

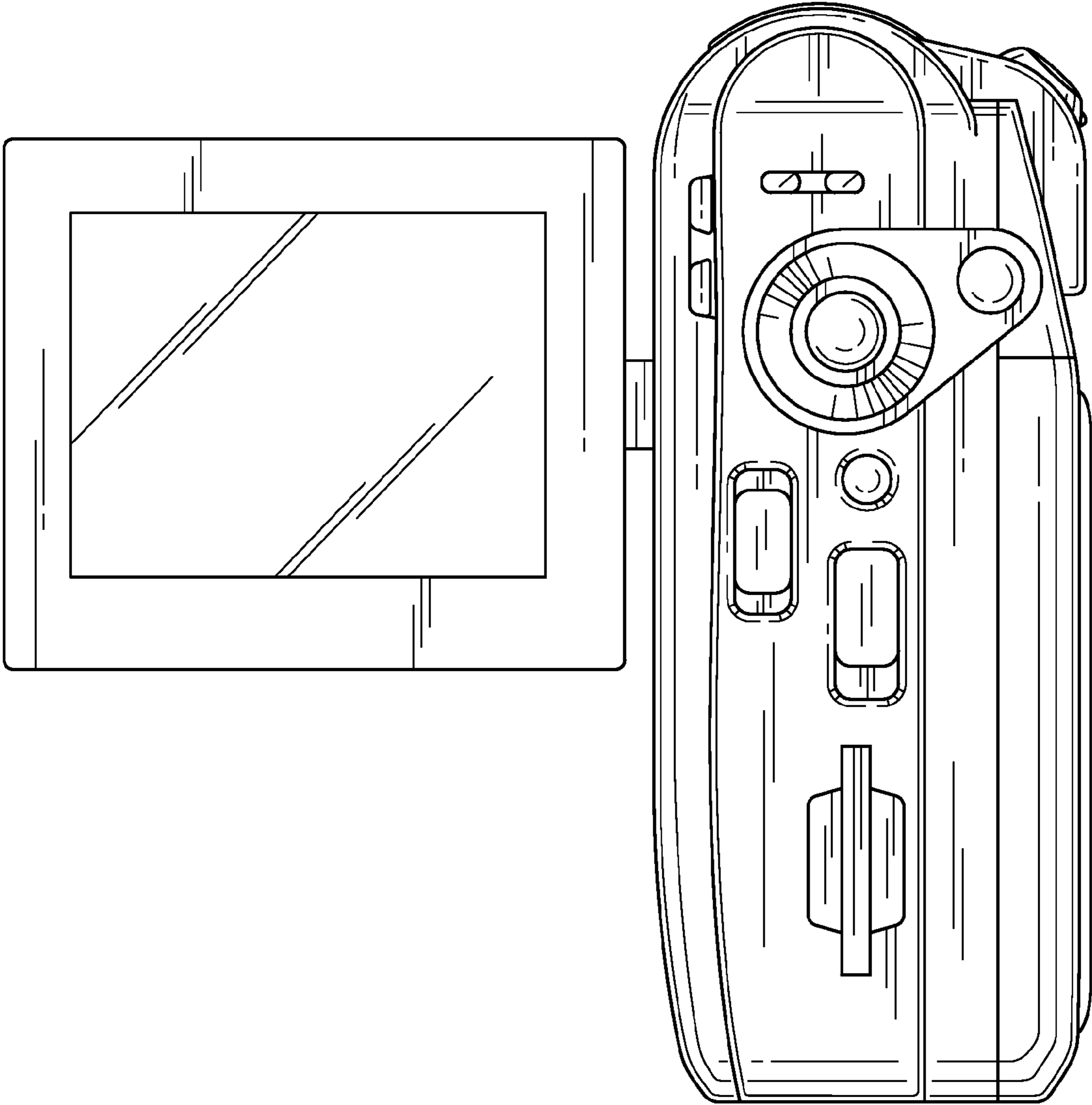


FIG. 12