

US00D548252S

(12) **United States Design Patent**  
**Tajima**

(10) **Patent No.:** **US D548,252 S**

(45) **Date of Patent:** **\*\* Aug. 7, 2007**

(54) **DIGITAL CAMERA**

(75) Inventor: **Kenji Tajima**, Koganei (JP)

(73) Assignee: **Olympus Imaging Corp.**, Tokyo (JP)

(\*\*) Term: **14 Years**

(21) Appl. No.: **29/236,248**

(22) Filed: **Aug. 12, 2005**

(51) **LOC (8) Cl.** ..... **16-01**

(52) **U.S. Cl.** ..... **D16/202**

(58) **Field of Classification Search** ..... D16/200–204,  
D16/208, 209, 218, 219; 348/373–376; 358/909.1;  
396/535–541

See application file for complete search history.

(56) **References Cited**

**U.S. PATENT DOCUMENTS**

|                |         |          |       |         |
|----------------|---------|----------|-------|---------|
| D471,220 S *   | 3/2003  | Hamamura | ..... | D16/202 |
| D482,054 S *   | 11/2003 | Nasu     | ..... | D16/202 |
| D496,380 S *   | 9/2004  | Isomoto  | ..... | D16/202 |
| D516,599 S *   | 3/2006  | Nakamura | ..... | D16/218 |
| 7,106,959 B2 * | 9/2006  | Sato     | ..... | 348/373 |

|              |        |          |       |         |
|--------------|--------|----------|-------|---------|
| D534,564 S * | 1/2007 | Tainaka  | ..... | D16/202 |
| D536,356 S * | 2/2007 | Nakamura | ..... | D16/202 |

\* cited by examiner

*Primary Examiner*—Adir Aronovich

(74) *Attorney, Agent, or Firm*—Hogan & Hartson LLP

(57) **CLAIM**

The ornamental design for a digital camera, as shown and described.

**DESCRIPTION**

FIG. 1 is a front, top and right side perspective view of a digital camera, showing my new design;

FIG. 2 is a rear, top and left side perspective view thereof;

FIG. 3 is a top plan view thereof;

FIG. 4 is a front elevational view thereof;

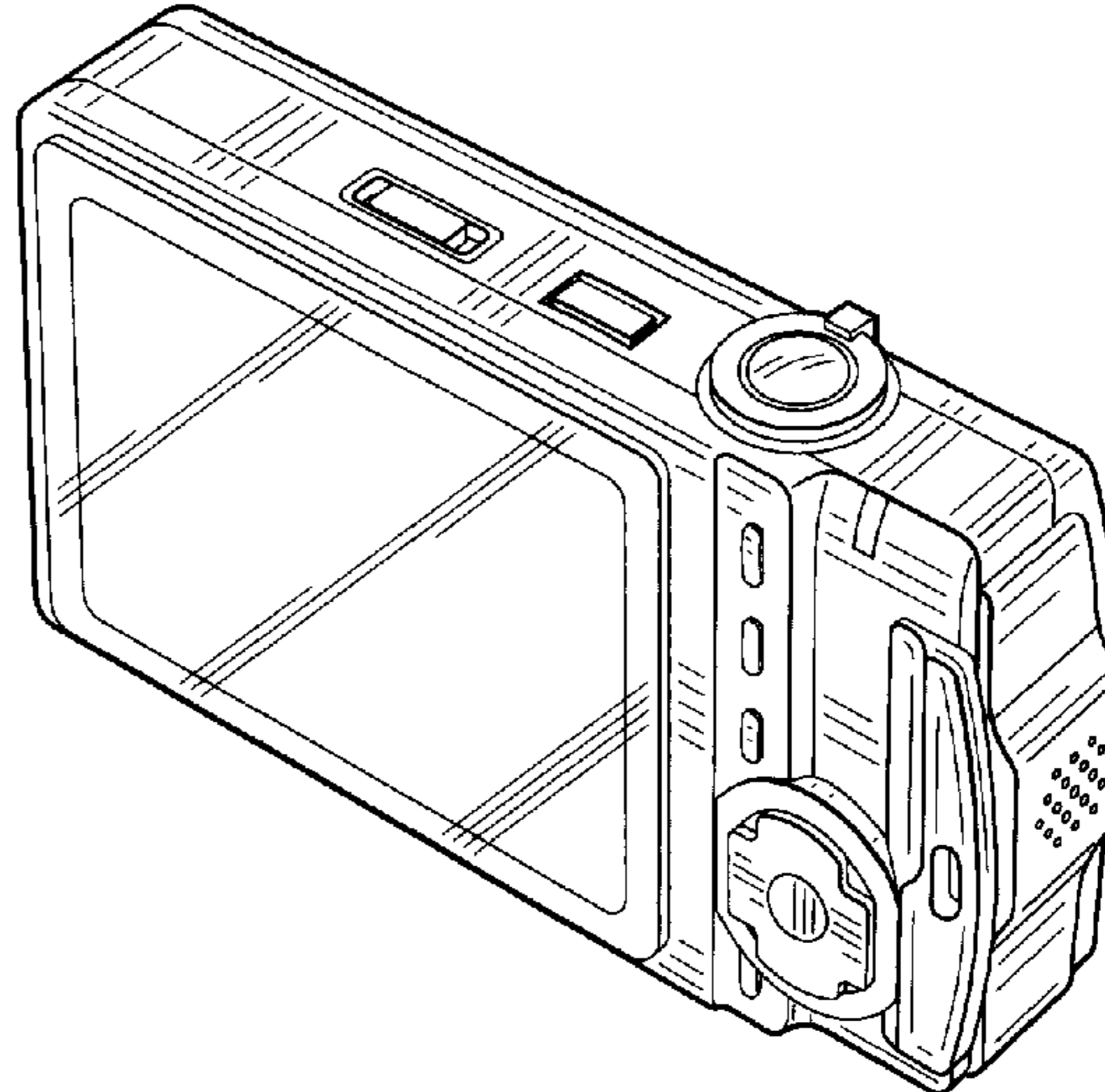
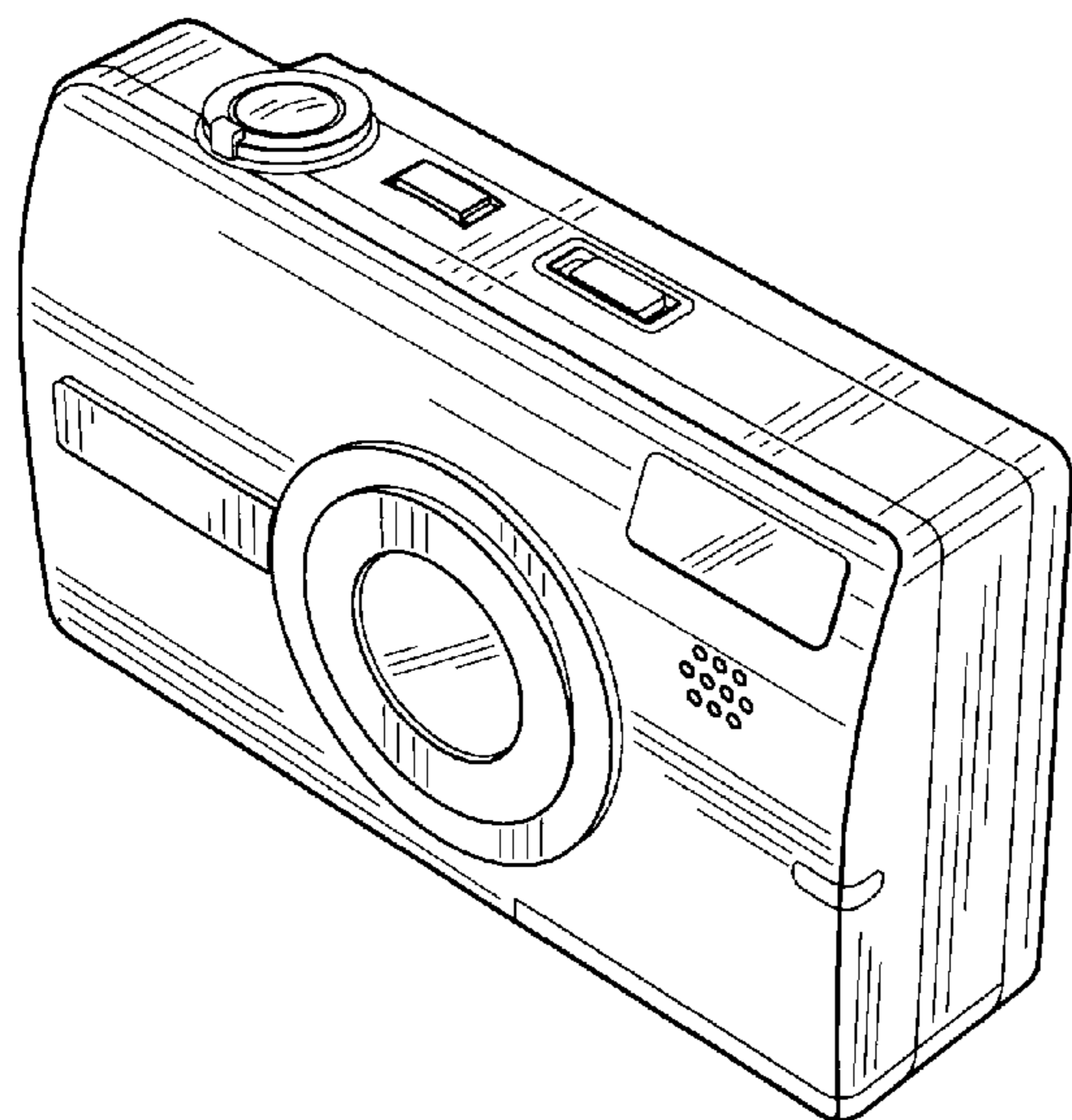
FIG. 5 is a bottom plan view thereof;

FIG. 6 is a left side elevational view thereof;

FIG. 7 is a right side elevational view thereof; and,

FIG. 8 is a rear elevational view thereof.

**1 Claim, 3 Drawing Sheets**



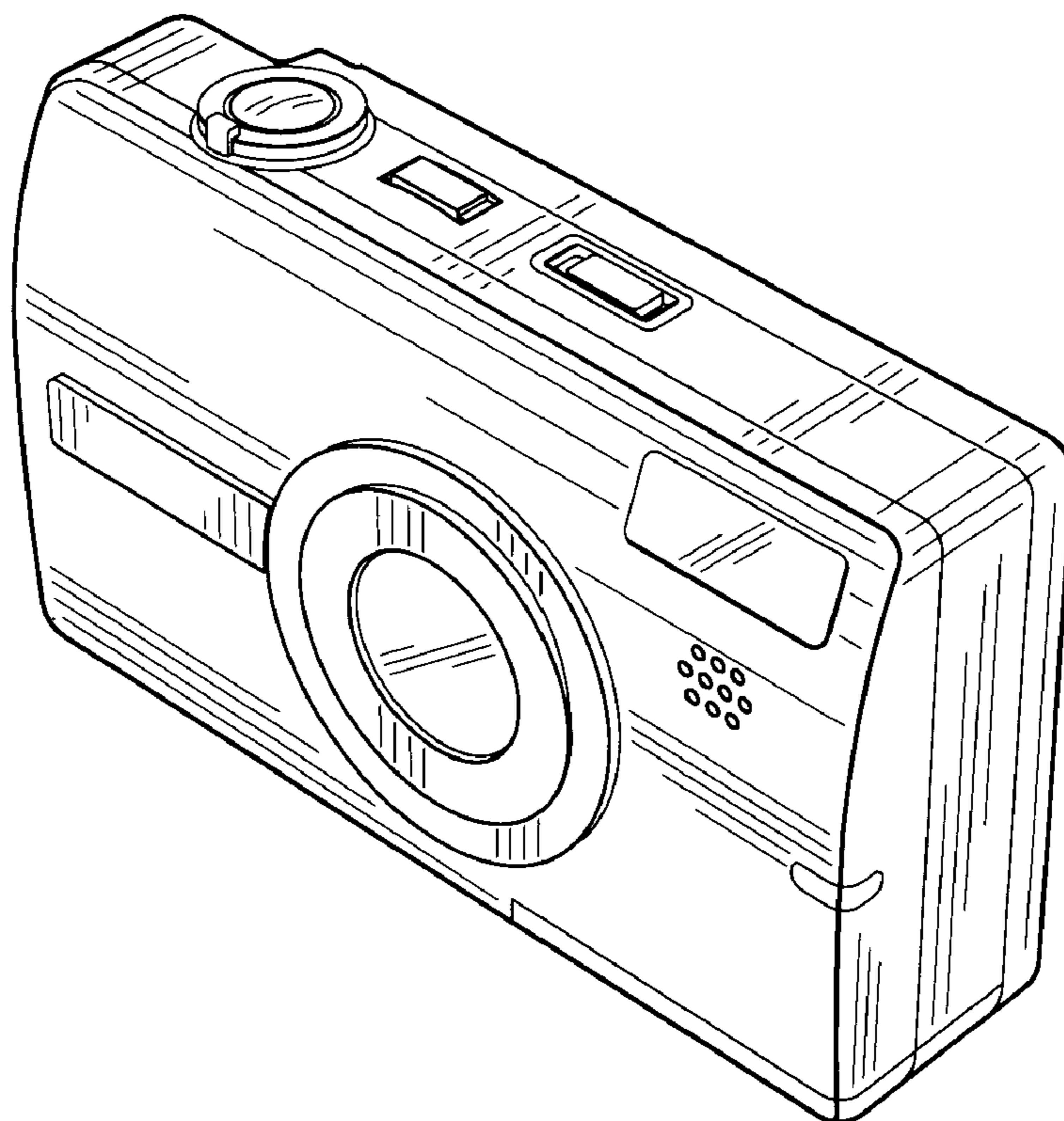


FIG. 1

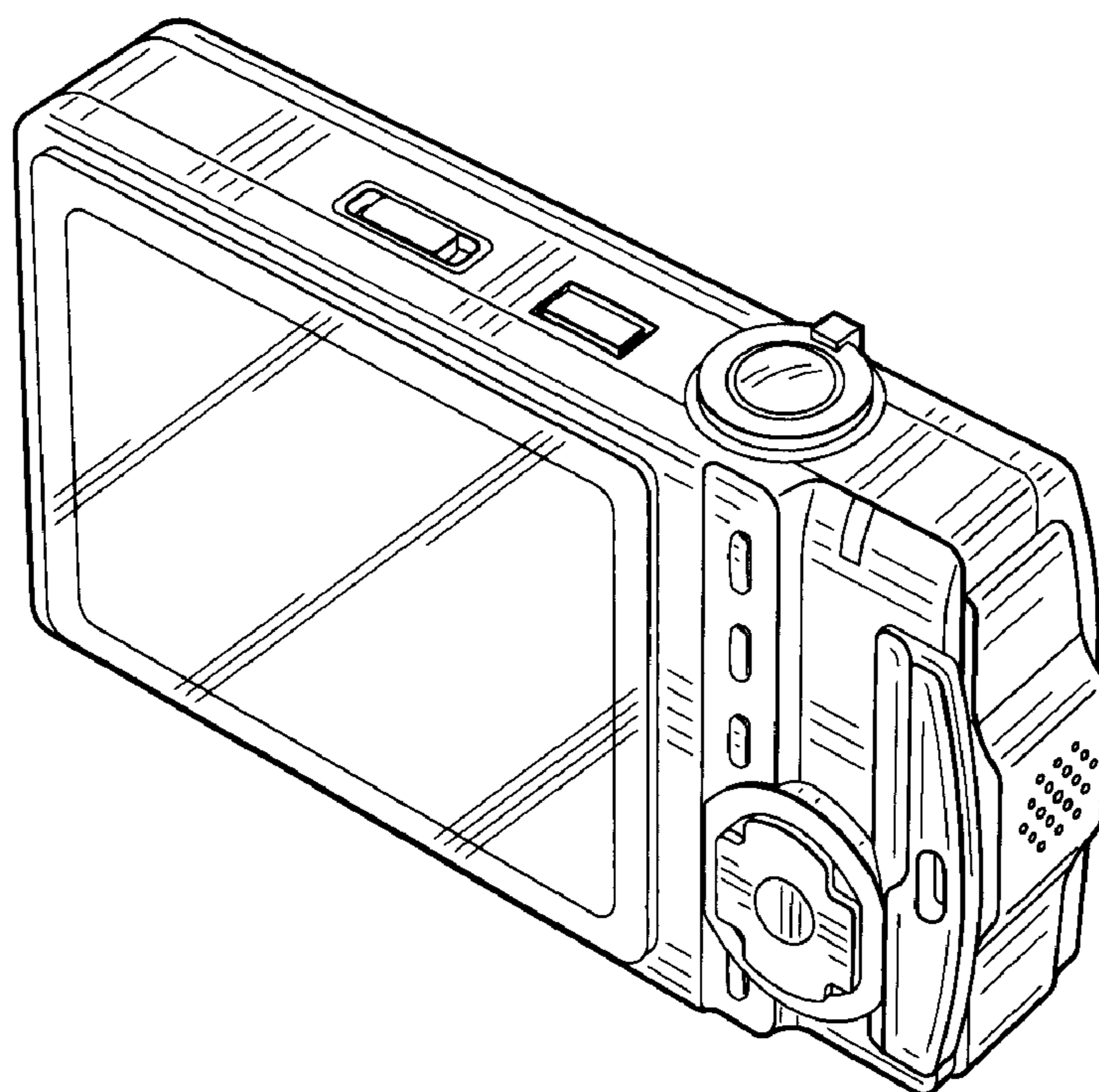


FIG. 2

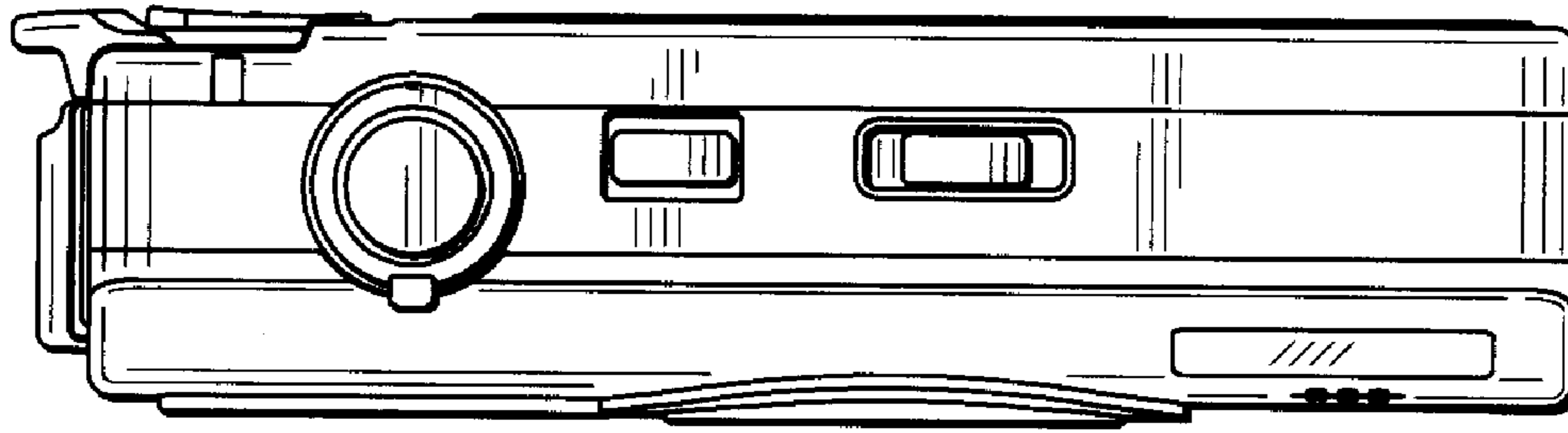


FIG. 3

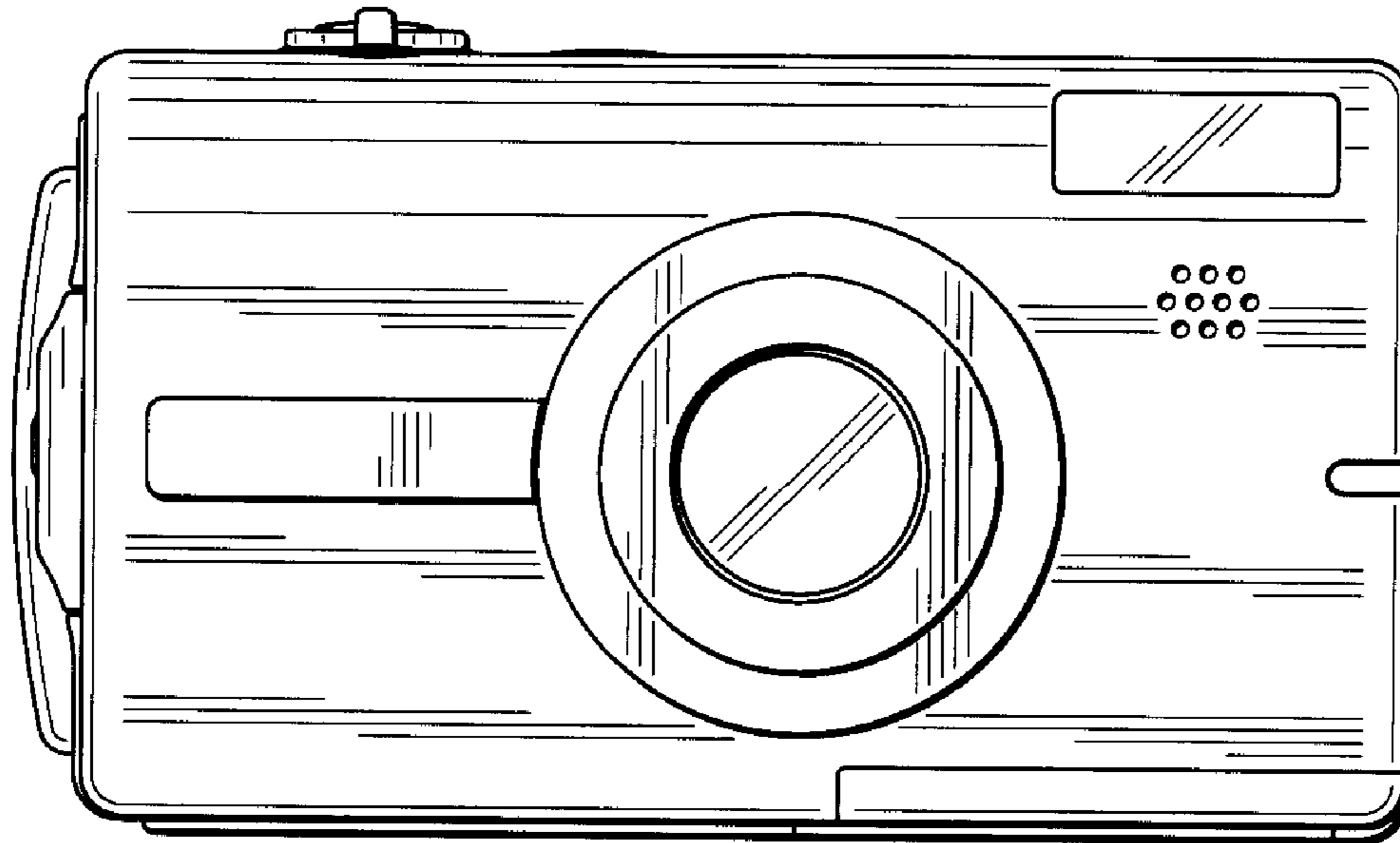


FIG. 4

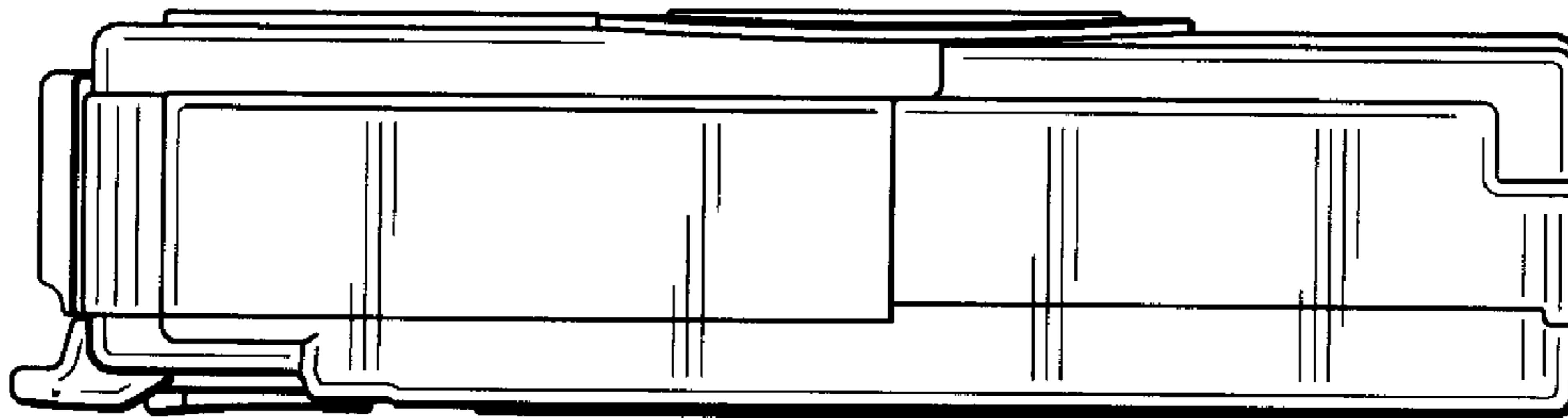


FIG. 5

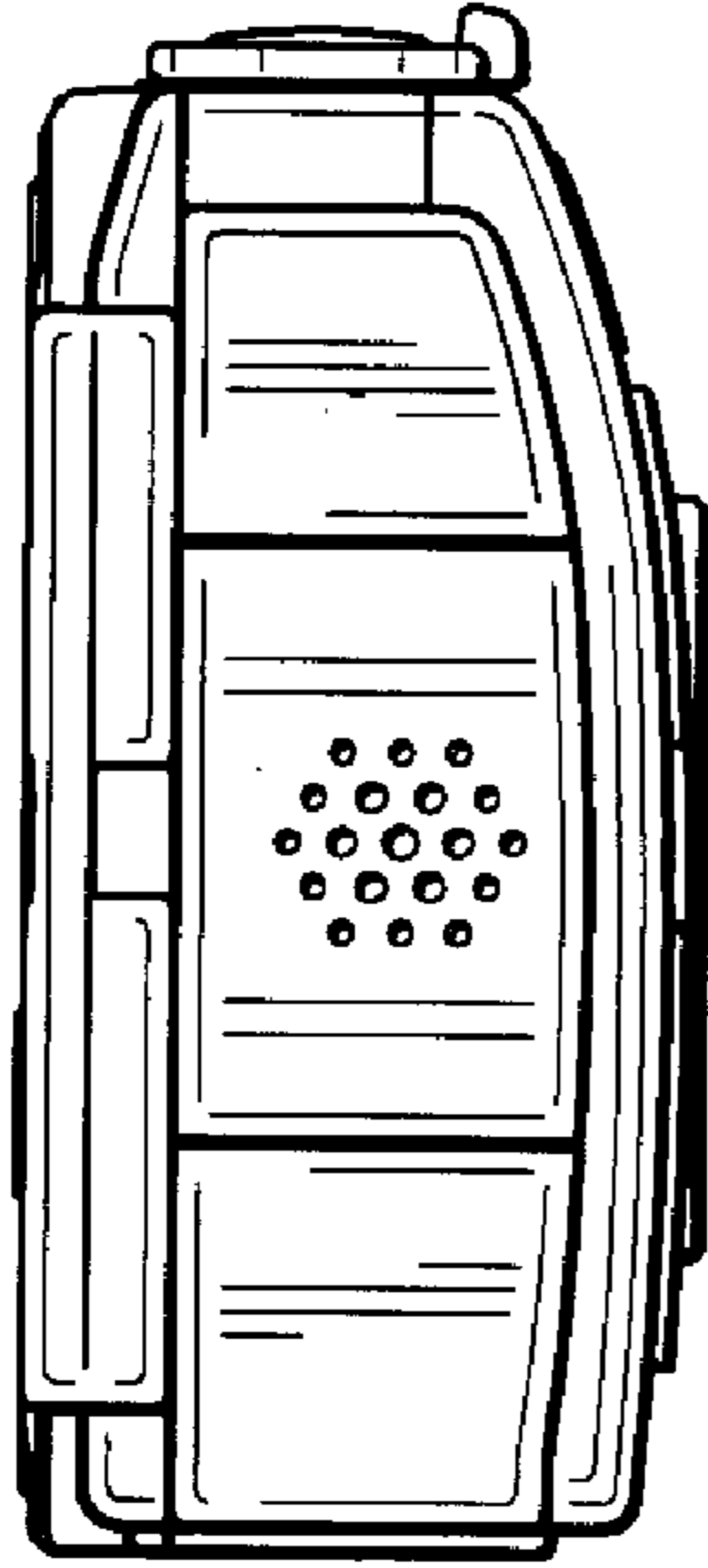


FIG. 6

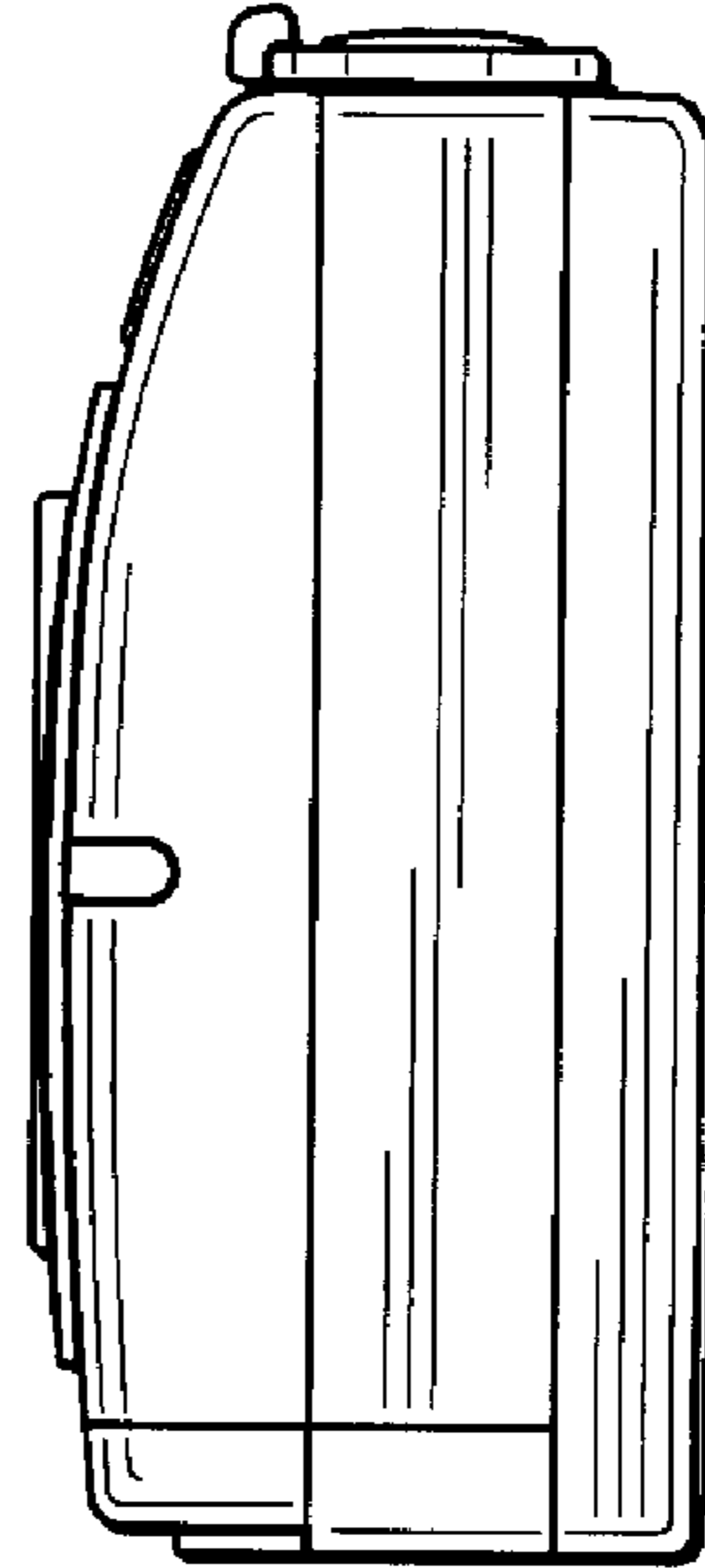


FIG. 7

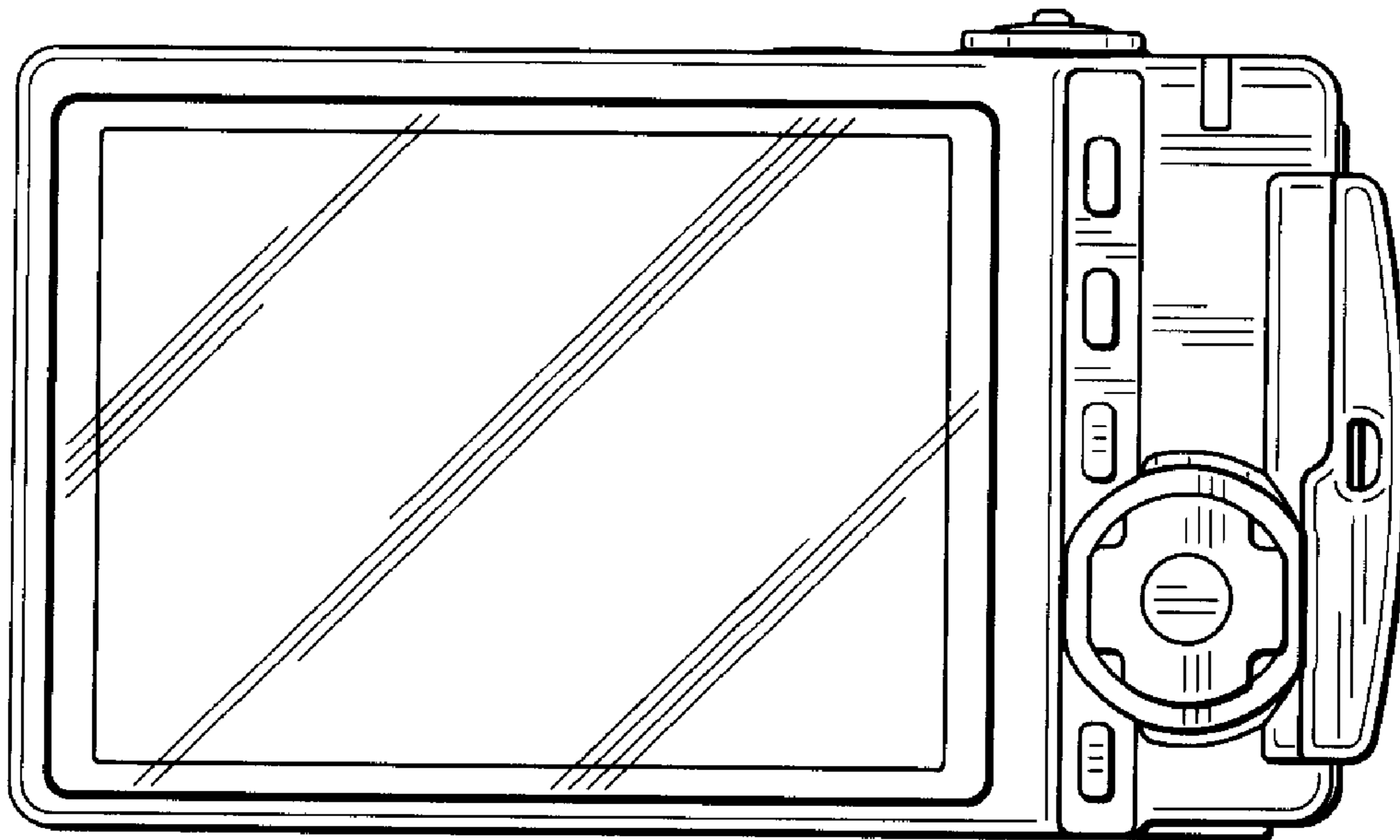


FIG. 8