

US00D548250S

(12) **United States Design Patent** (10) **Patent No.:** **US D548,250 S**  
**Baumeister et al.** (45) **Date of Patent:** **\*\* Aug. 7, 2007**

(54) **EXTRUDER DIE INSERT**

D502,952 S \* 3/2005 Achilles et al. .... D15/139  
6,866,498 B2 \* 3/2005 Sagar et al. .... 425/380

(75) Inventors: **Joaquín Fernández Baumeister**,  
México (MX); **Armando Sedano Hernández**, Ecatepec Estado de México (MX); **Elizabeth Quintana Romero**, Tlalnepantla Estado de México (MX); **Irene Cruz Leyva**, México (MX)

\* cited by examiner

*Primary Examiner*—Antoine D. Davis  
*Assistant Examiner*—Patricia Palasik  
(74) *Attorney, Agent, or Firm*—Carstens & Cahoon, LLP; Colin P. Cahoon

(73) Assignee: **Sabritas, S. DE R.L. DE C.V.**, Col. Bosques De Las Lomas, Mexico D.F. (MX)

(57) **CLAIM**

The ornamental design for a extruder die insert, as shown and described.

(\*\*) Term: **14 Years**

**DESCRIPTION**

(21) Appl. No.: **29/277,330**

FIG. 1 is a top perspective view of the first embodiment of the extruder die insert of the present invention;

(22) Filed: **Feb. 21, 2007**

FIG. 2 is a top plan view of the first embodiment of the extruder die insert of the present invention;

(51) **LOC (8) Cl.** ..... **15-99**

(52) **U.S. Cl.** ..... **D15/199; D15/138**

(58) **Field of Classification Search** ..... D15/138,  
D15/139, 199; 264/117.12, 209.1, 209.8;  
366/76.1, 149; 425/190, 208, 380

FIG. 3 is a front elevation view of the first embodiment of the extruder die insert of the present invention, with the right elevation view, left elevation view, and rear elevation view all mirror images of the front elevation view;

See application file for complete search history.

FIG. 4 is a top perspective view of the second embodiment of the extruder die insert of the present invention;

(56) **References Cited**

**U.S. PATENT DOCUMENTS**

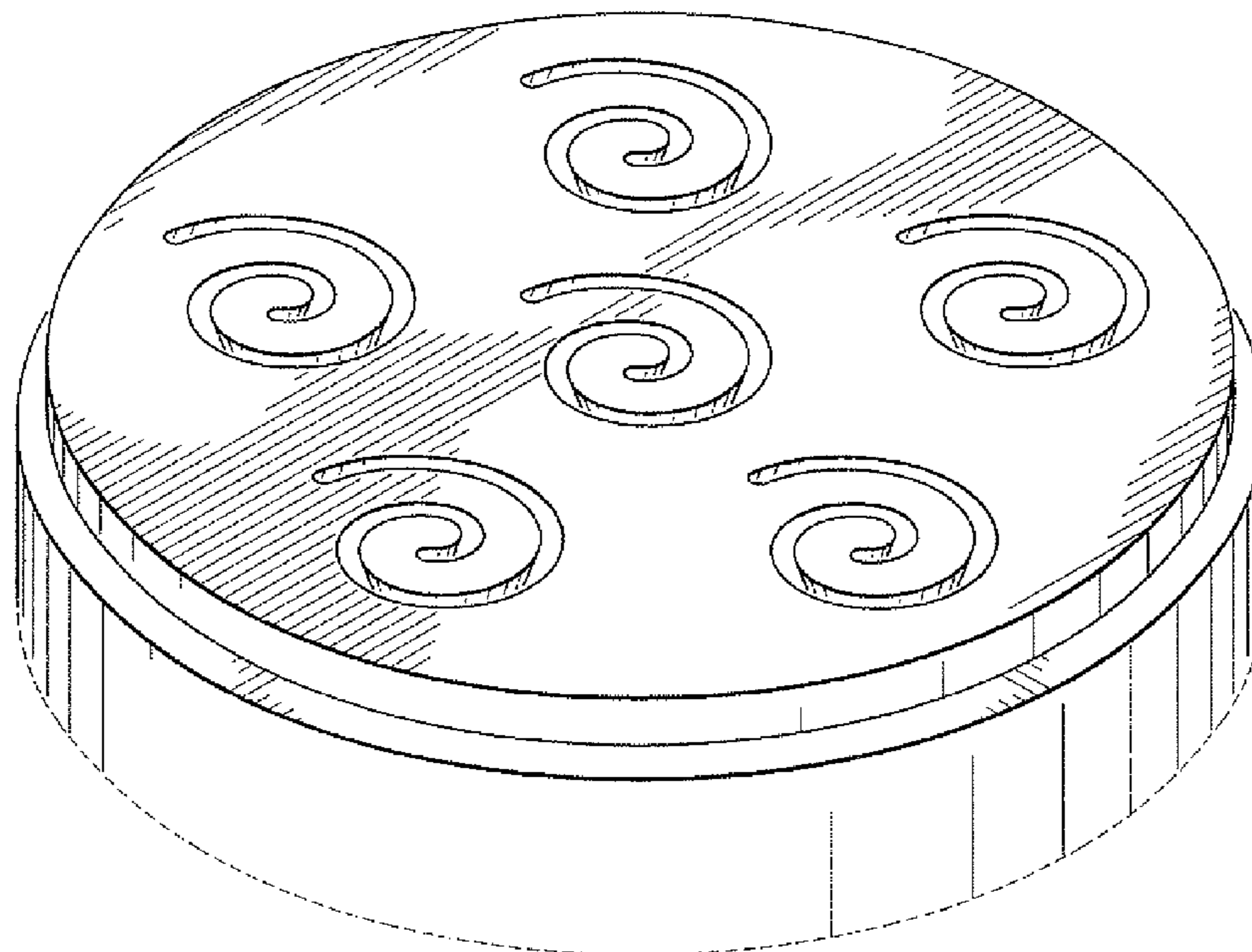
4,395,221	A *	7/1983	Herrington	.....	425/380
4,747,986	A *	5/1988	Chao	.....	264/177.12
4,954,061	A *	9/1990	Repholz et al.	.....	425/190
5,762,971	A *	6/1998	Schirmer	.....	425/190
5,807,590	A *	9/1998	Ishikawa et al.	.....	425/190
6,206,675	B1 *	3/2001	BeVier	.....	425/190
D452,257	S *	12/2001	Pinchot	.....	D15/199
D469,454	S *	1/2003	Pinchot	.....	D15/199
6,638,463	B2 *	10/2003	Davidson et al.	.....	264/209.1
D496,377	S *	9/2004	Pinchot	.....	D15/199

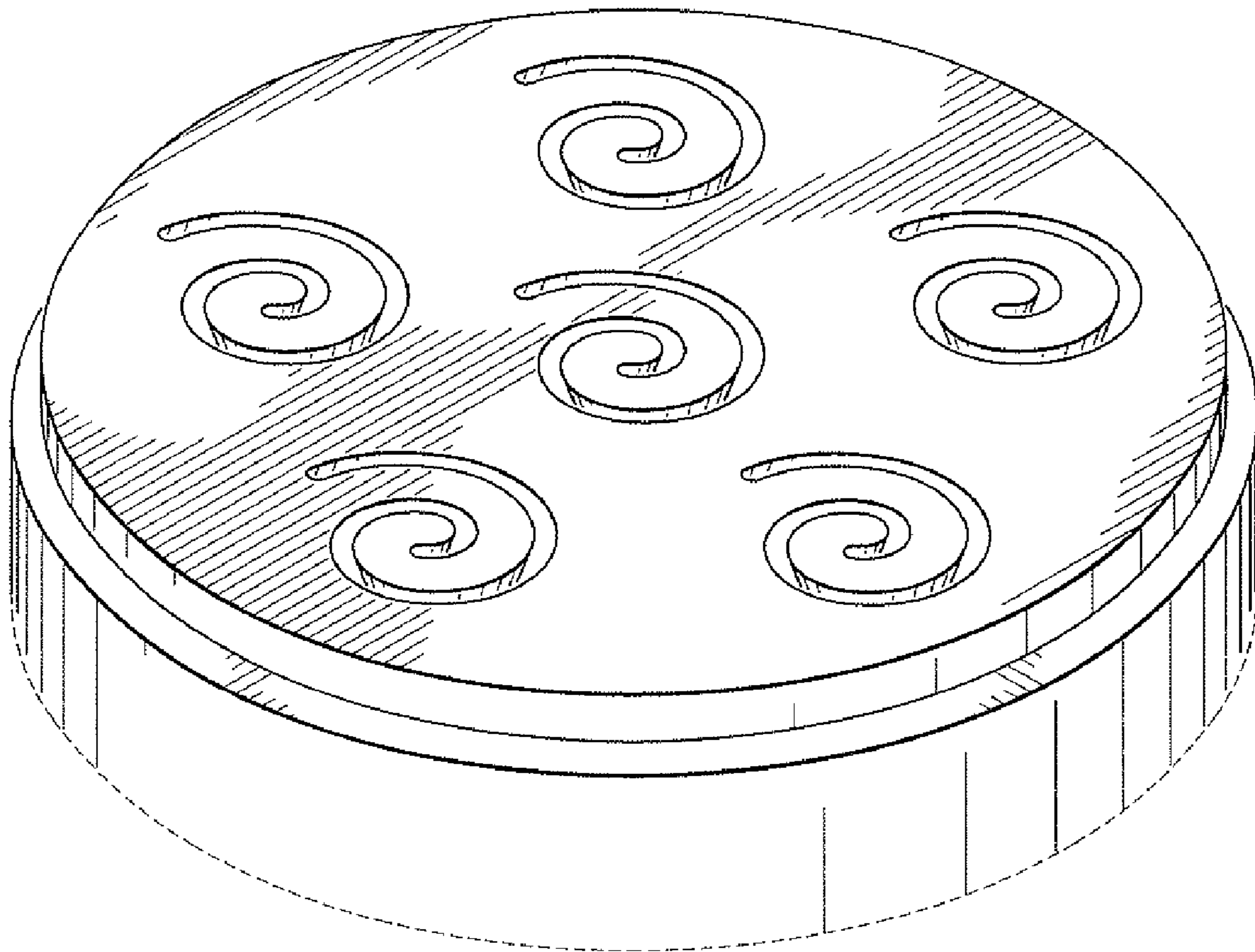
FIG. 5 is a top plan view of the second embodiment of the extruder die insert of the present invention; and,

FIG. 6 is a front elevation view of the second embodiment of the extruder die insert of the present invention, with the right elevation view, left elevation view, and rear elevation view all mirror images of the front elevation view.

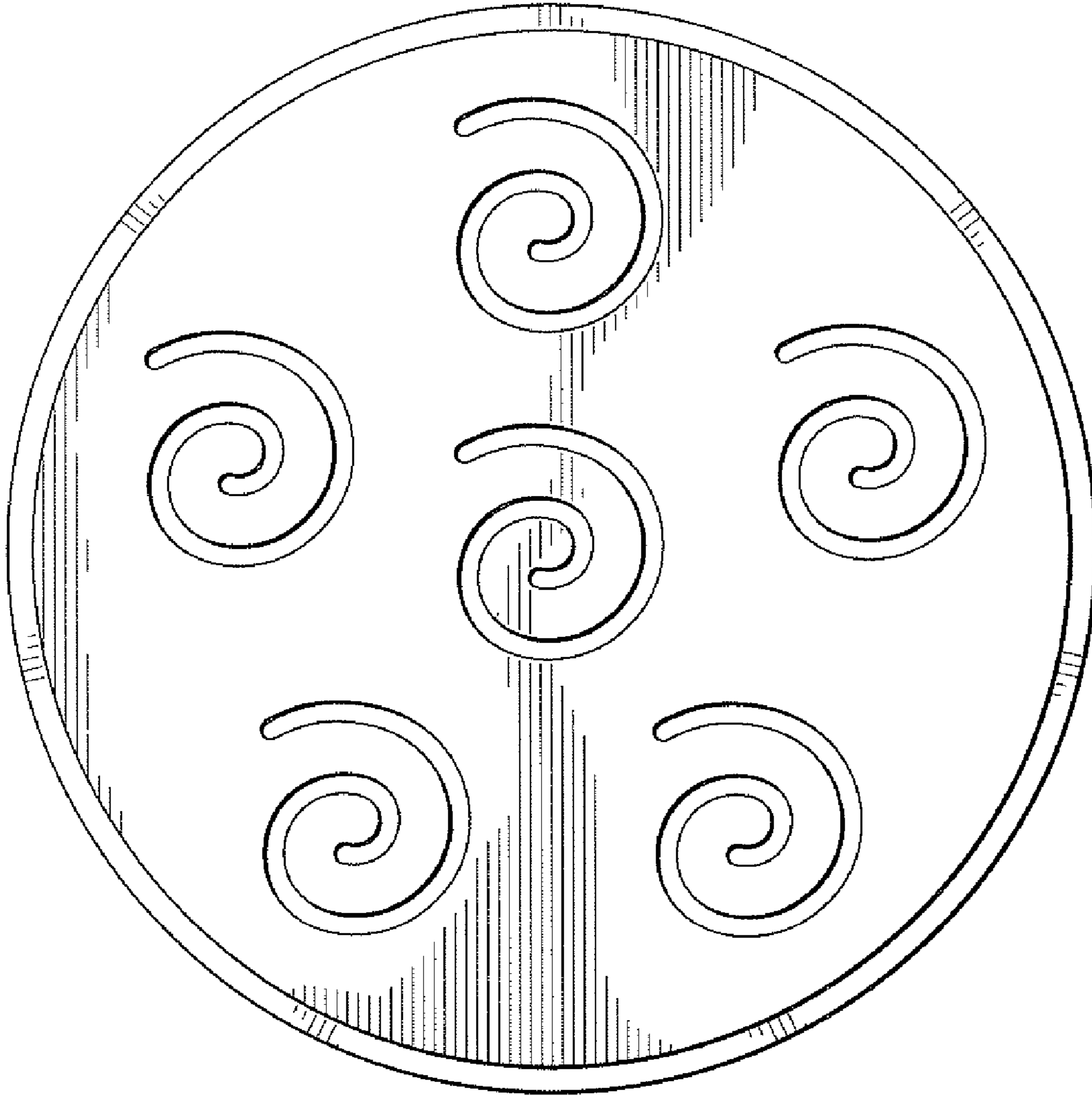
The broken line shown on FIGS. 1, 3, 4, and 6 defines the bounds of the claimed design and forms no part thereof.

**1 Claim, 4 Drawing Sheets**

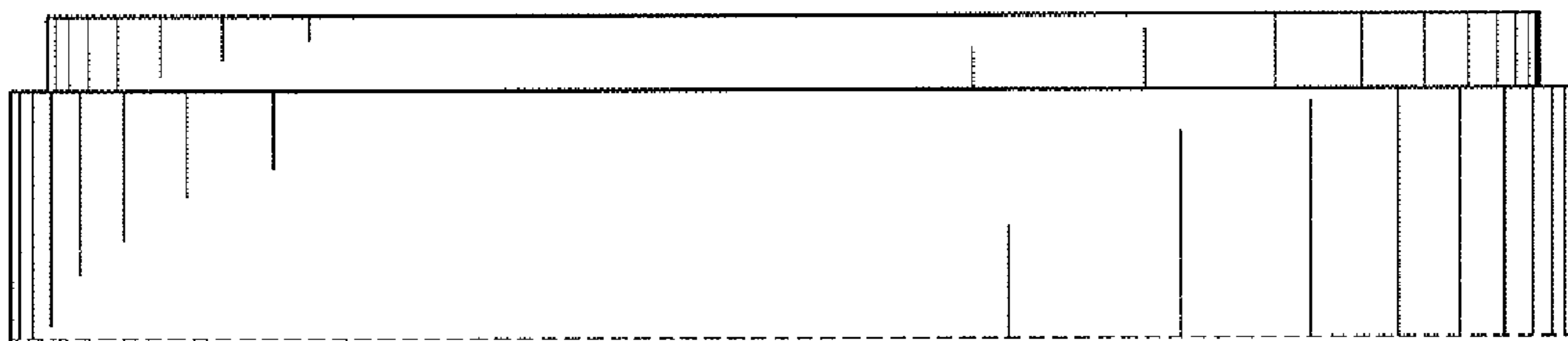




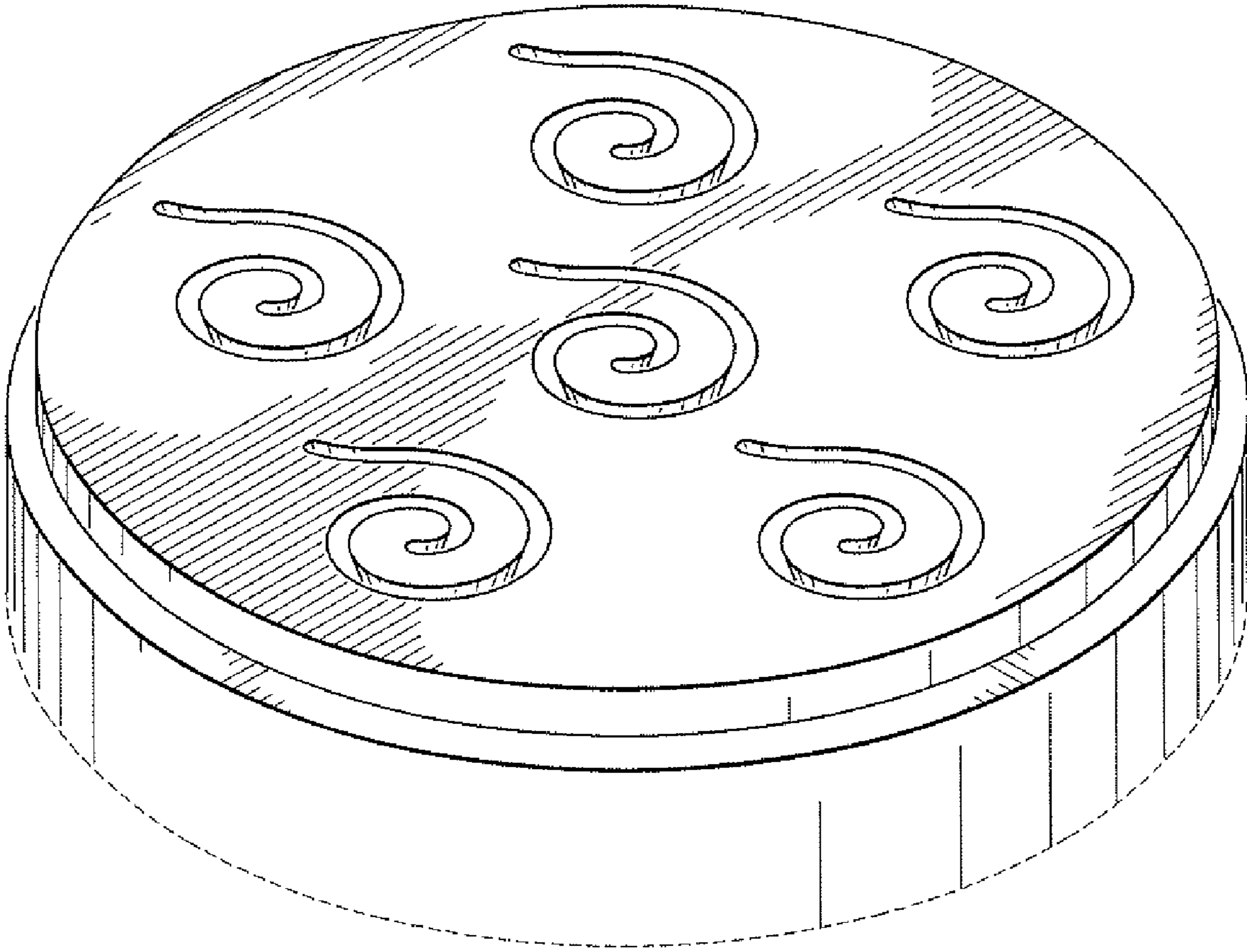
*FIG. 1*



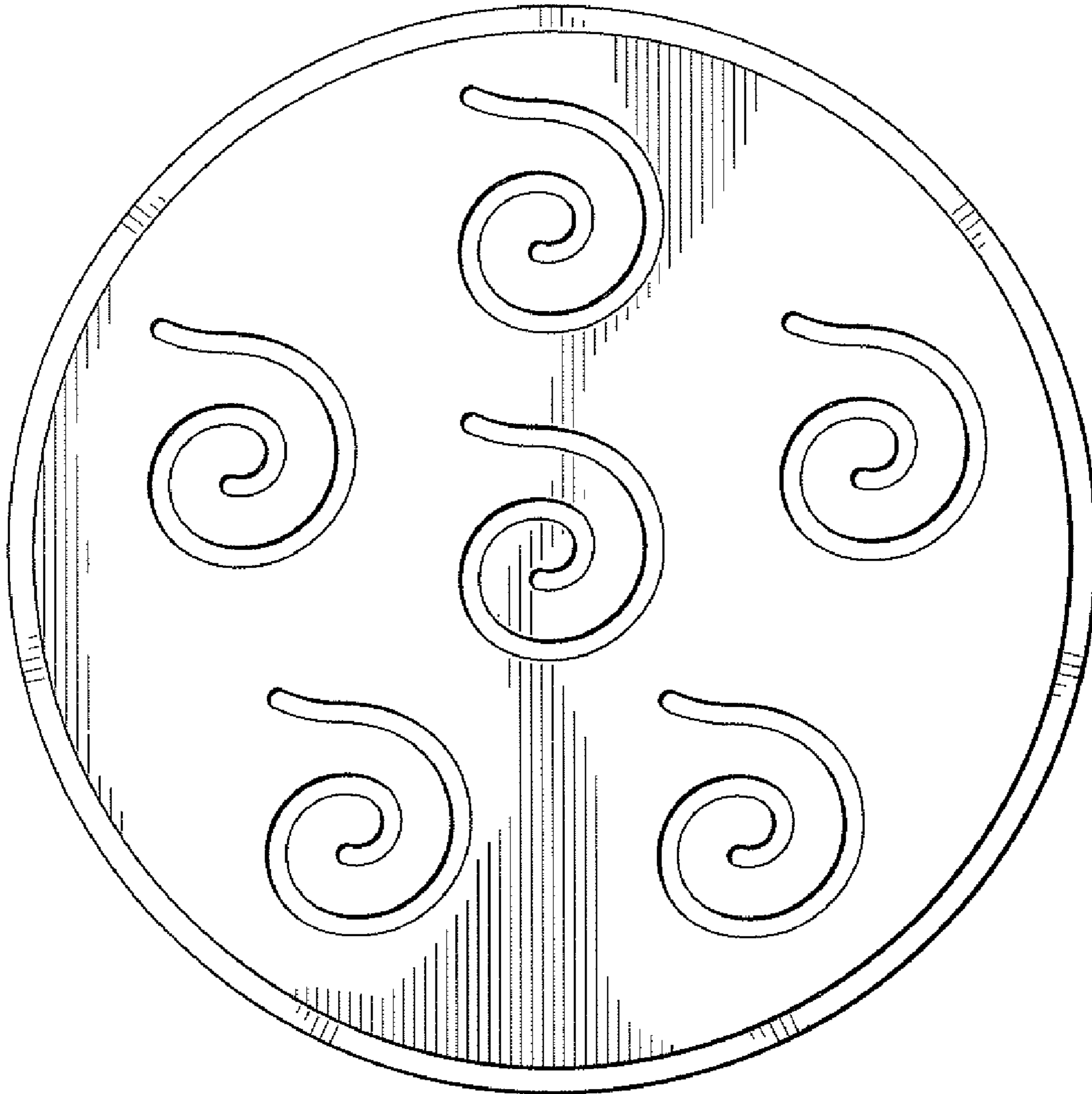
*FIG. 2*



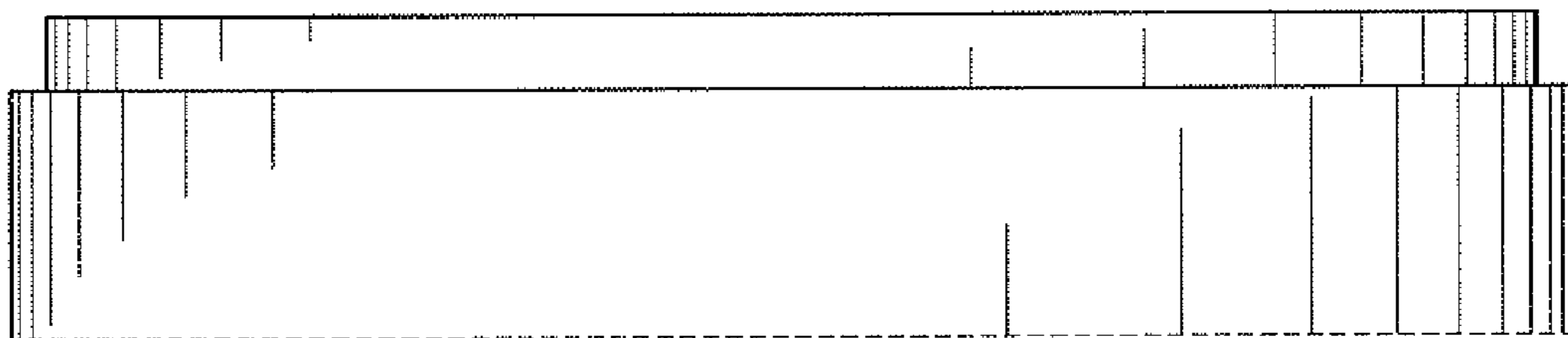
*FIG. 3*



*FIG. 4*



*FIG. 5*



*FIG. 6*