



US00D548248S

(12) **United States Design Patent**
Passante

(10) **Patent No.:** **US D548,248 S**

(45) **Date of Patent:** **** Aug. 7, 2007**

(54) **MANIFOLD**

(76) **Inventor:** **Pino Marco Passante**, 190 Dudley Avenue, Apt. #420, Thornhill, Ontario (CA) L3T 2G1

(**) **Term:** **14 Years**

(21) **Appl. No.:** **29/241,652**

(22) **Filed:** **Oct. 31, 2005**

(51) **LOC (8) Cl.** **15-01**

(52) **U.S. Cl.** **D15/5**

(58) **Field of Classification Search** D15/1,
D15/5; 123/41.1, 41.27, 41.73, 210; 261/23.3,
261/23.4, DIG. 36

See application file for complete search history.

(56) **References Cited**

U.S. PATENT DOCUMENTS

D364,628 S	*	11/1995	Haller	D15/5
D374,446 S	*	10/1996	Bendell	D15/5
D517,567 S	*	3/2006	Teeter	D15/5
D529,923 S	*	10/2006	Liao	D15/5
D533,194 S	*	12/2006	Cimbura	D15/5

* cited by examiner

Primary Examiner—Ian Simmons

Assistant Examiner—Maurice Stevens

(74) *Attorney, Agent, or Firm*—Bereskin & Parr

(57) **CLAIM**

The ornamental design for a manifold, as shown.

DESCRIPTION

FIG. 1 is a perspective view of a manifold in accordance with a first embodiment of my design;

FIG. 2 is a top plan view of the manifold shown in FIG. 1;

FIG. 3 is a front elevational view of the manifold shown in FIG. 1;

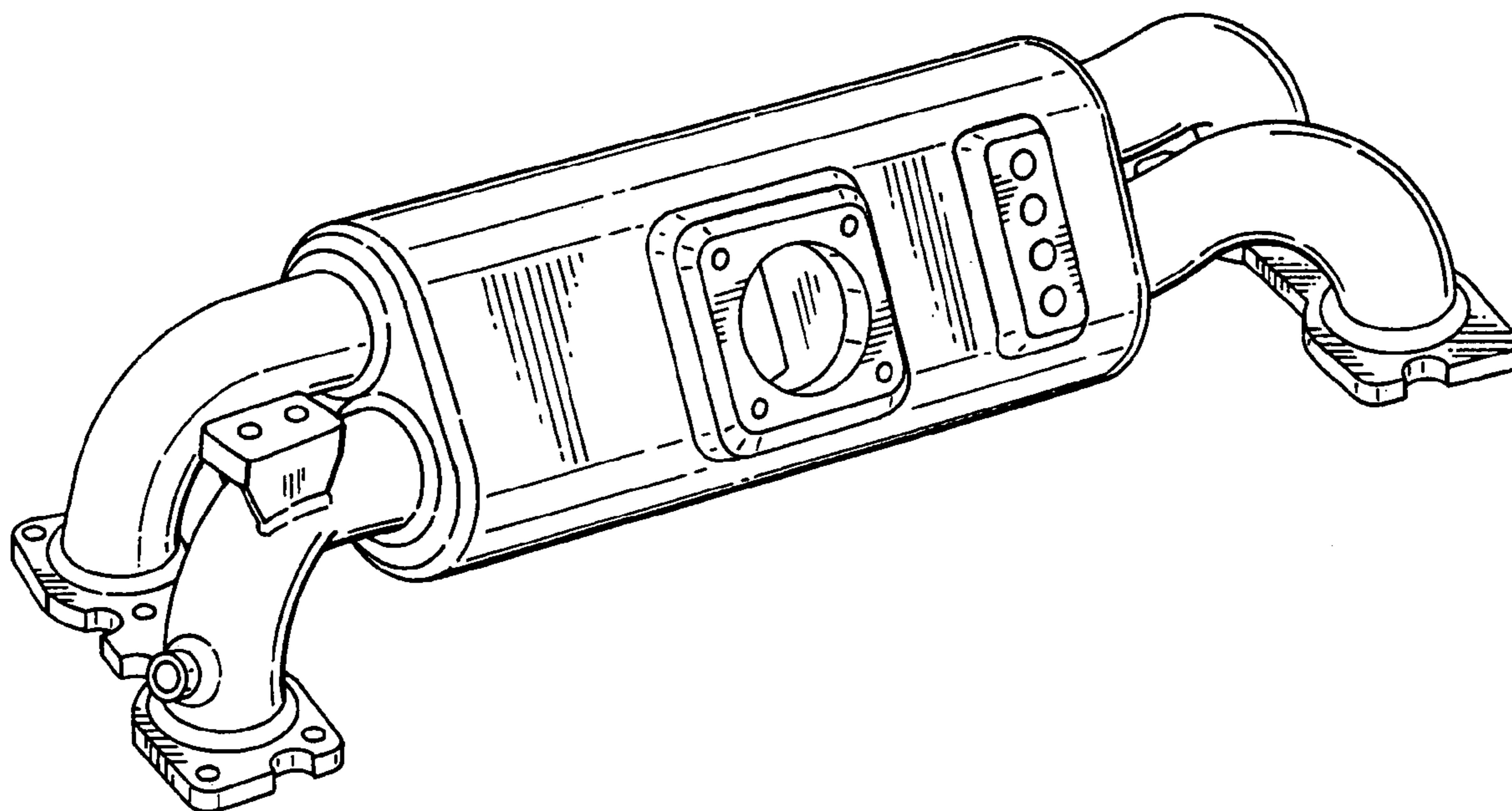
FIG. 4 is a left elevational view of the manifold shown in FIG. 1;

FIG. 5 is a bottom plan view of the manifold shown in FIG. 1;

FIG. 6 is a rear elevational view of the manifold shown in FIG. 1; and,

FIG. 7 is a right elevational view of the manifold shown in FIG. 1.

1 Claim, 3 Drawing Sheets



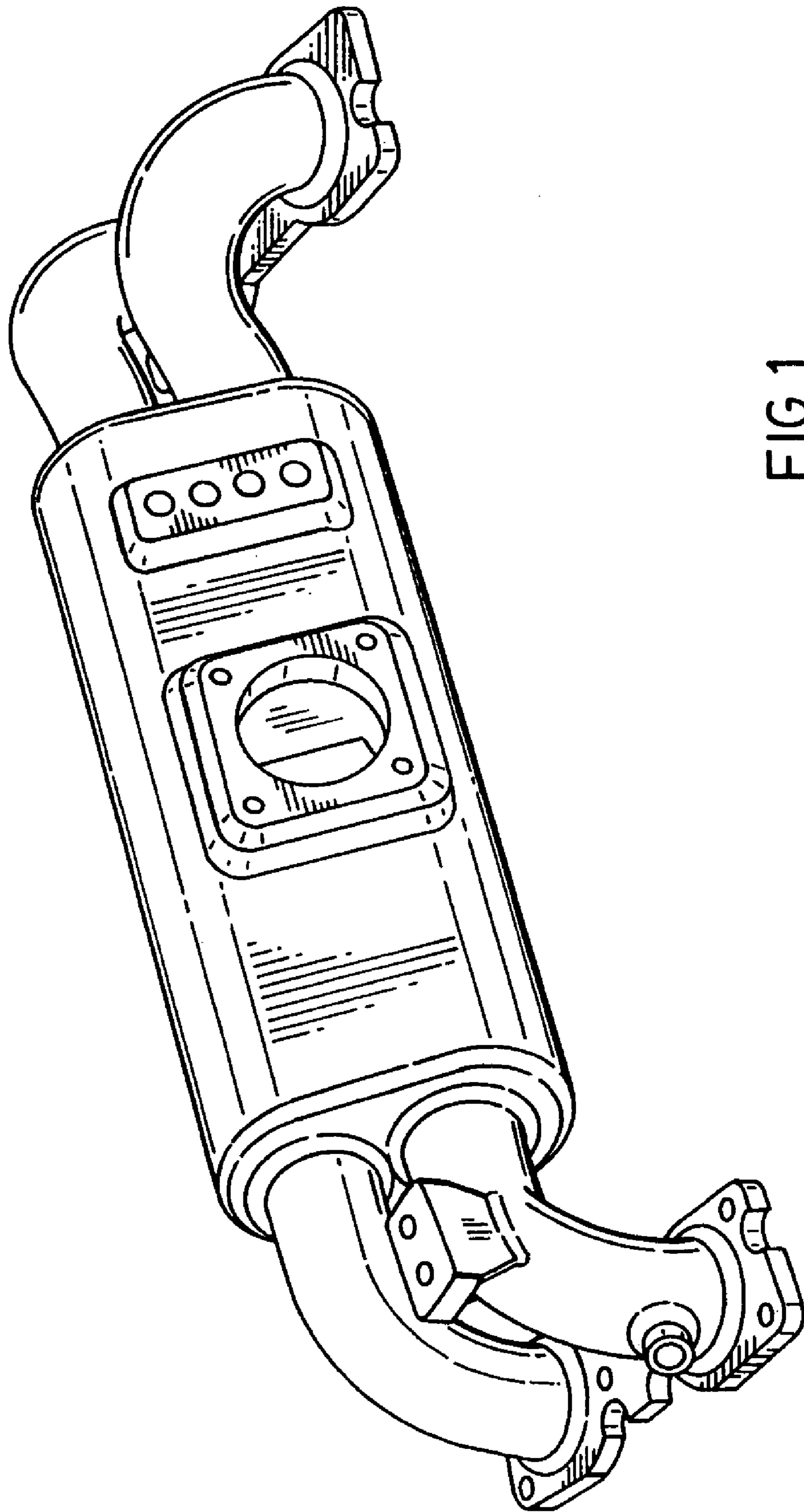


FIG.1.

FIG. 2.

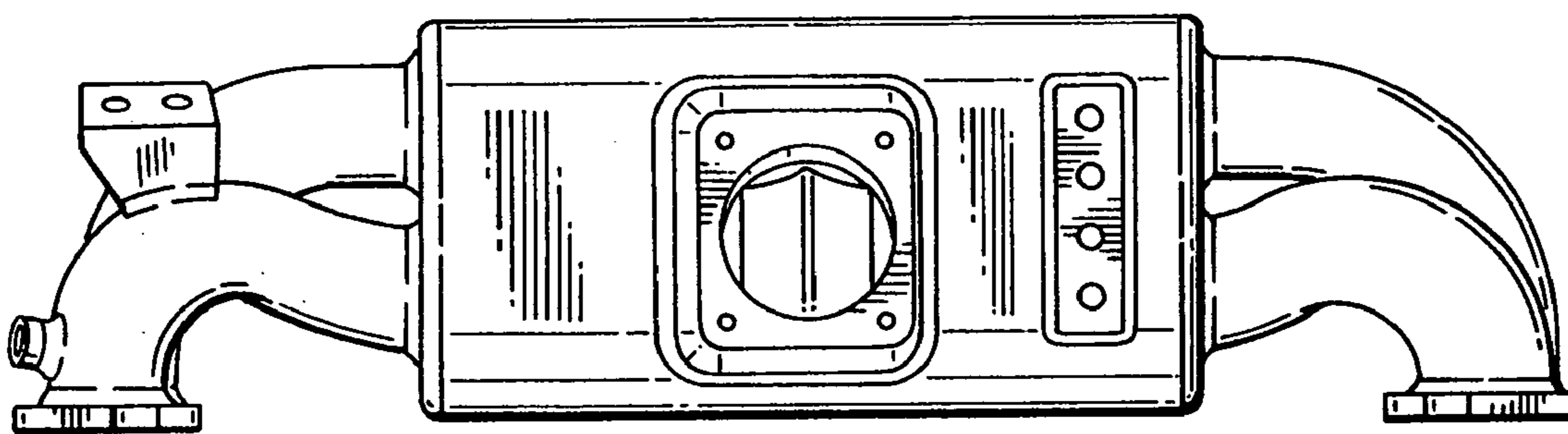
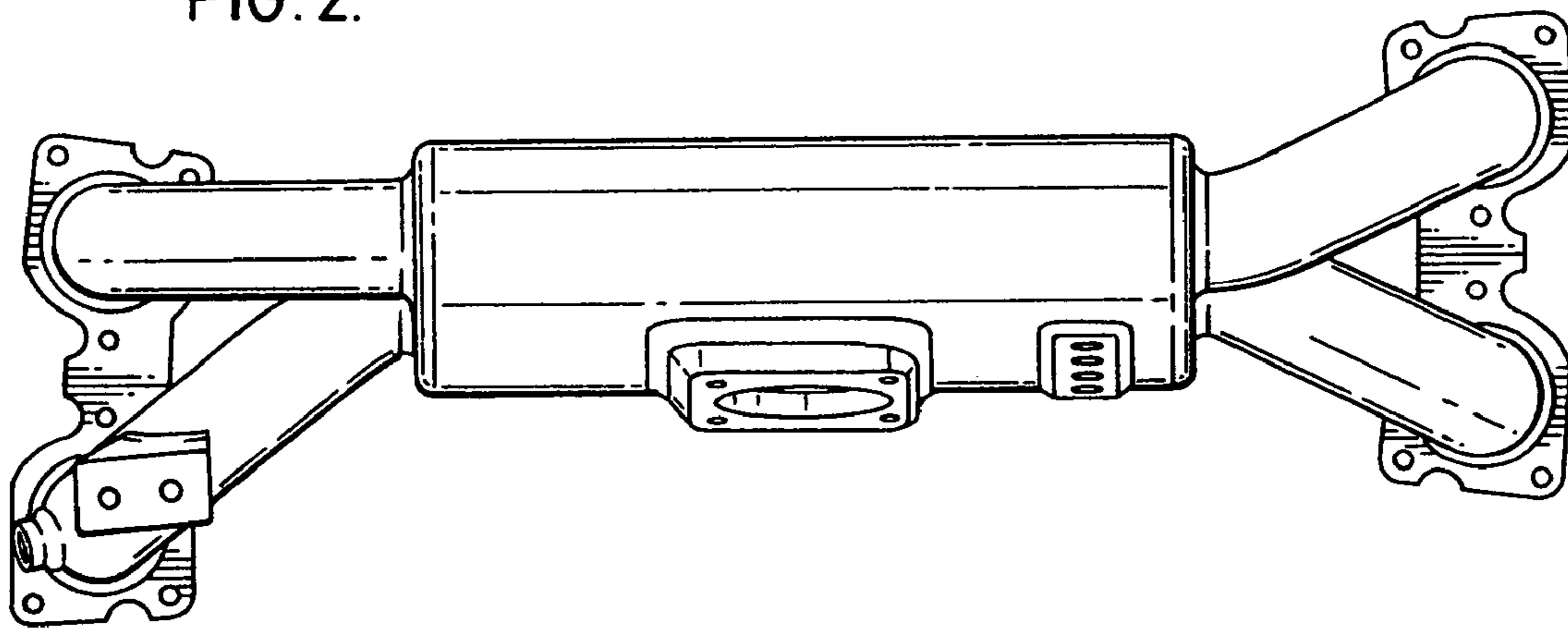


FIG. 3.

FIG. 4.

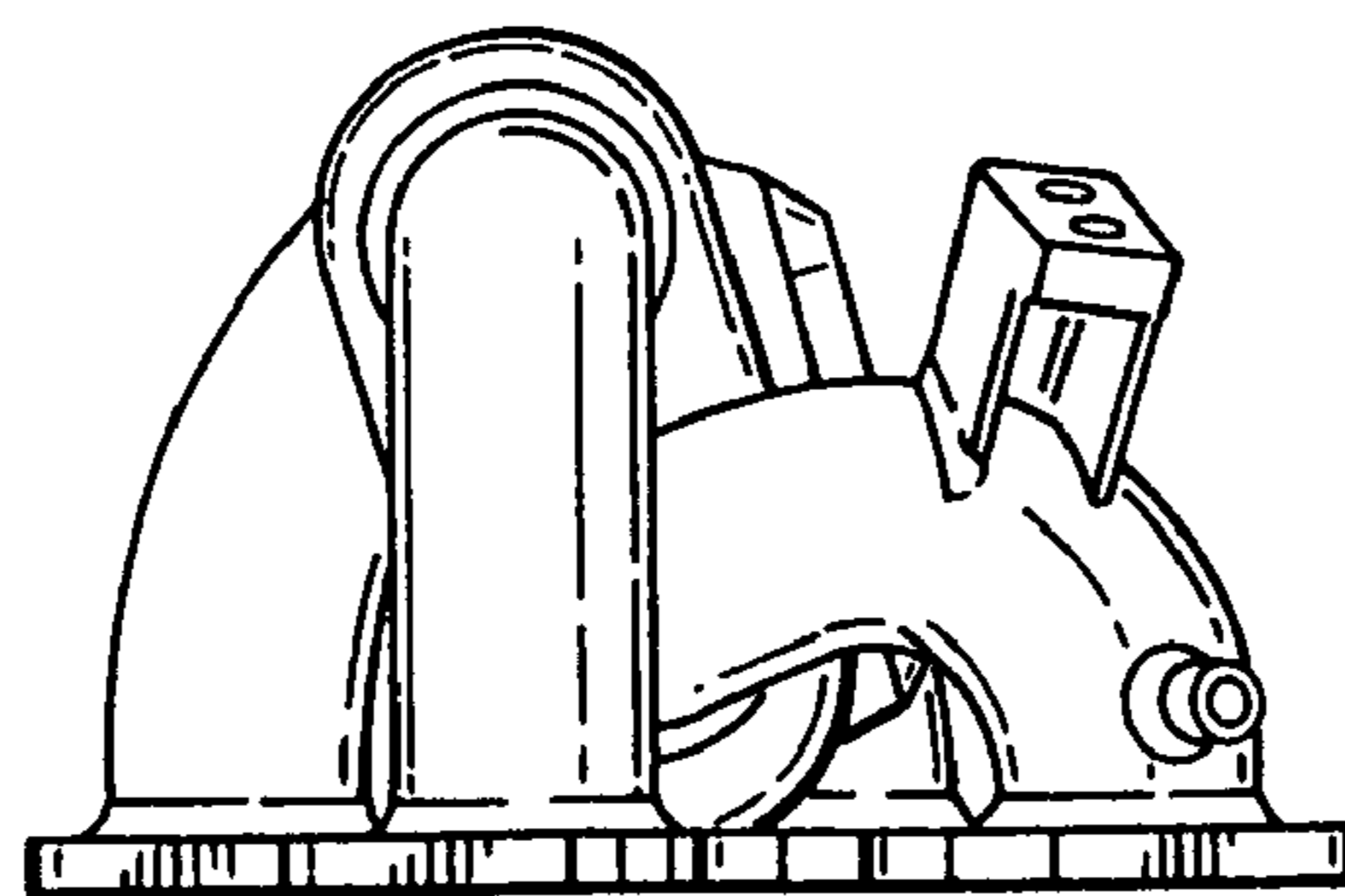


FIG. 5.

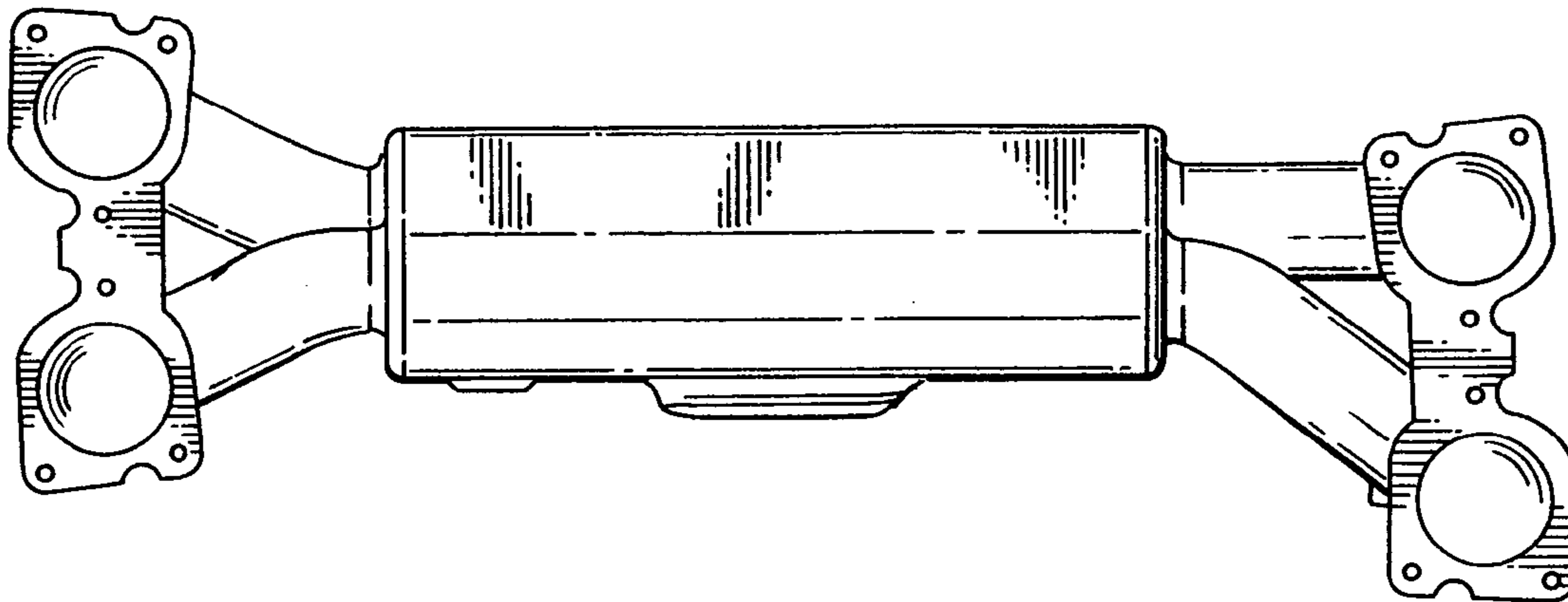


FIG. 6.

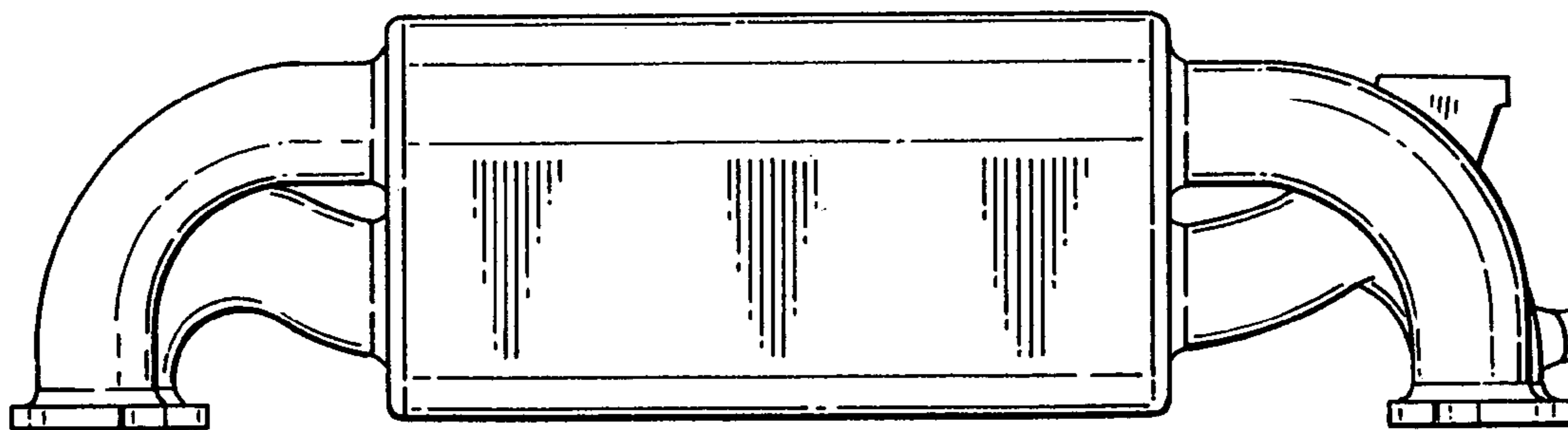


FIG. 7.

