



US00D548245S

(12) **United States Design Patent**
Liang et al.

(10) **Patent No.:** **US D548,245 S**

(45) **Date of Patent:** **** Aug. 7, 2007**

(54) **PORTABLE MEDIA PLAYER**

(75) Inventors: **Li-Ni Liang**, Shenzhen (CN); **Wen-Jie Bao**, Shenzhen (CN)

(73) Assignee: **Hon Hai Precision Industry Co. Ltd**, Tu-Cheng, Taipei Hsien (TW)

(**) Term: **14 Years**

(21) Appl. No.: **29/237,180**

(22) Filed: **Aug. 26, 2005**

(30) **Foreign Application Priority Data**

Apr. 23, 2005 (CN) 2005 3 0058068

(51) **LOC (8) Cl.** **14-03**

(52) **U.S. Cl.** **D14/496**

(58) **Field of Classification Search** D14/496,
D14/401, 435, 474, 483, 217, 137, 138, 160,
D14/168; 345/156, 169, 173-179, 905; 715/727-729,
715/864; 455/11.1, 7, 73, 344-347, 93, 95;
370/342-344; 369/1, 2, 6, 12; 463/43-47;
273/148 B

See application file for complete search history.

(56) **References Cited**

U.S. PATENT DOCUMENTS

6,595,860 B1 * 7/2003 Yamamoto et al. 463/43
6,671,567 B1 * 12/2003 Dwyer et al. 700/94
D489,731 S * 5/2004 Huang D14/496

D492,698 S * 7/2004 Tsai D14/496
6,769,603 B2 * 8/2004 Nagai et al. 235/375
D511,528 S * 11/2005 Yang D14/496
D512,073 S * 11/2005 Rodarte D14/496
D513,011 S * 12/2005 Johnson D14/496
7,020,704 B1 * 3/2006 Lipscomb et al. 709/226
7,054,965 B2 * 5/2006 Bell et al. 710/72
D524,326 S * 7/2006 Meng et al. D14/496

* cited by examiner

Primary Examiner—Prabhakar Deshmukh

(74) *Attorney, Agent, or Firm*—Jeffrey T. Knapp

(57) **CLAIM**

The ornamental design for a portable media player, as shown and described.

DESCRIPTION

FIG. 1 is a perspective view of a portable media player showing our new design;

FIG. 2 is a front elevation view thereof;

FIG. 3 is a rear elevational view thereof;

FIG. 4 is a left side elevational view thereof;

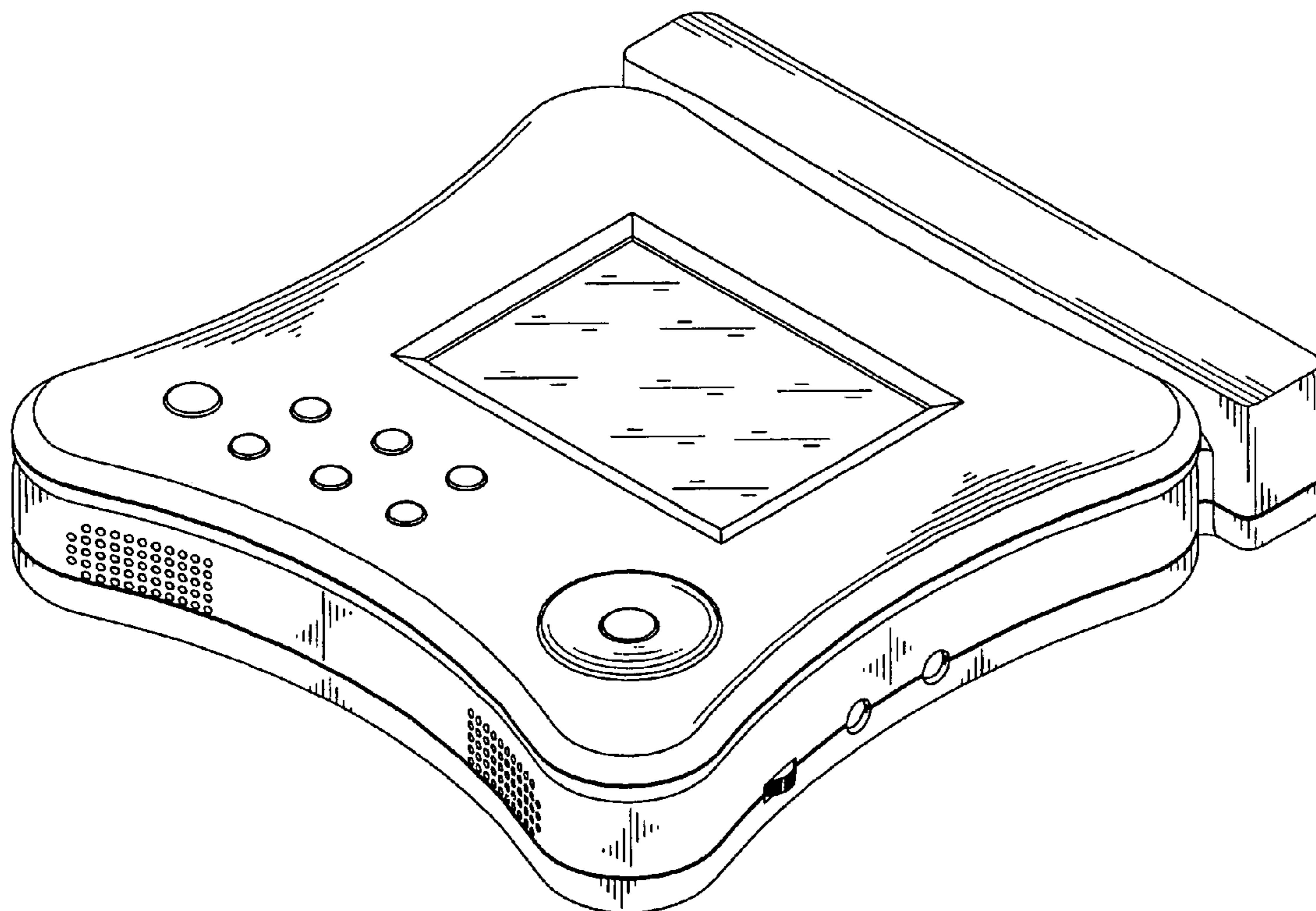
FIG. 5 is a right side elevational view thereof;

FIG. 6 is a top plan view thereof;

FIG. 7 is a bottom plan view thereof; and,

FIG. 8 is a bottom, rear and right side perspective view thereof, with a support leg shown in an unfolded position.

1 Claim, 6 Drawing Sheets



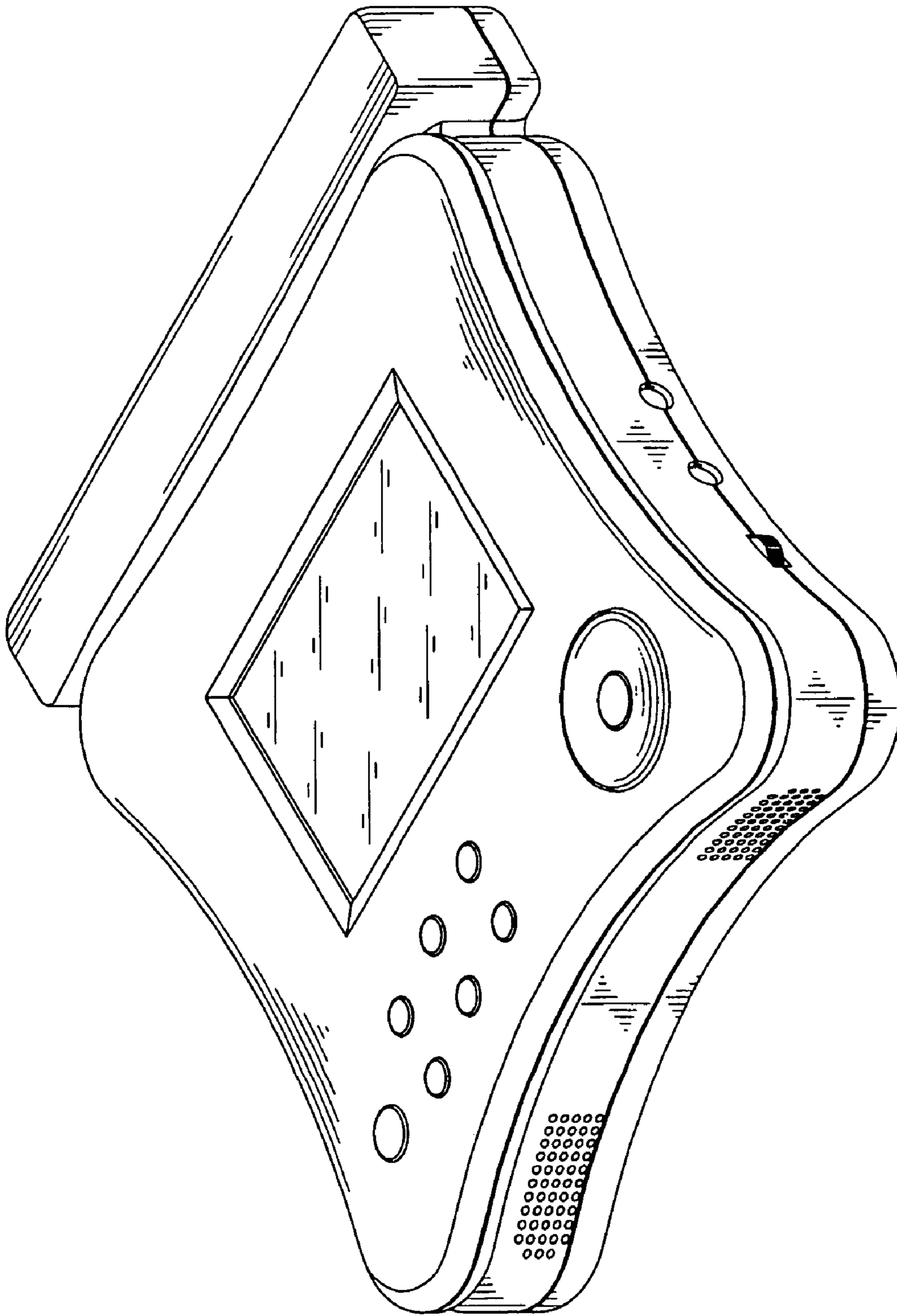


FIG. 1

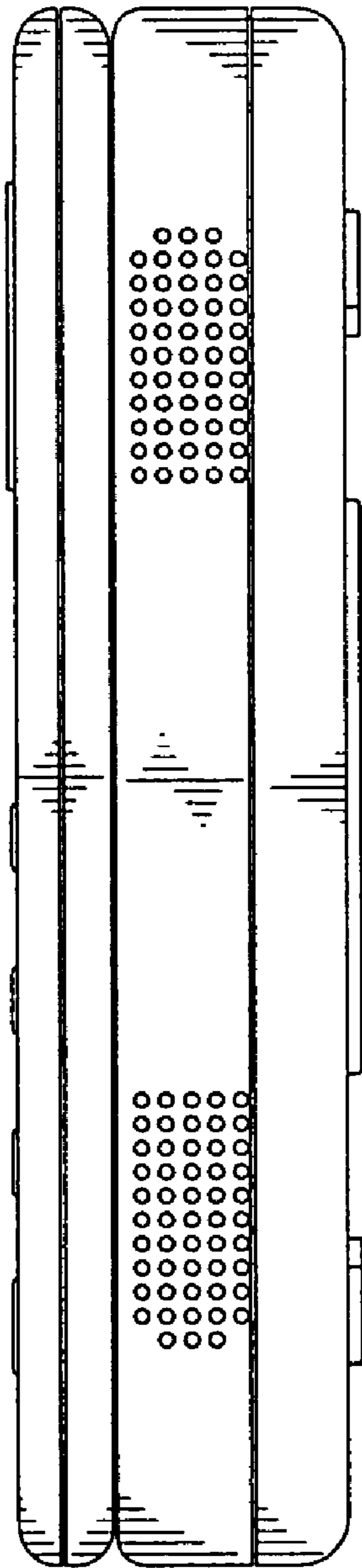


FIG. 2

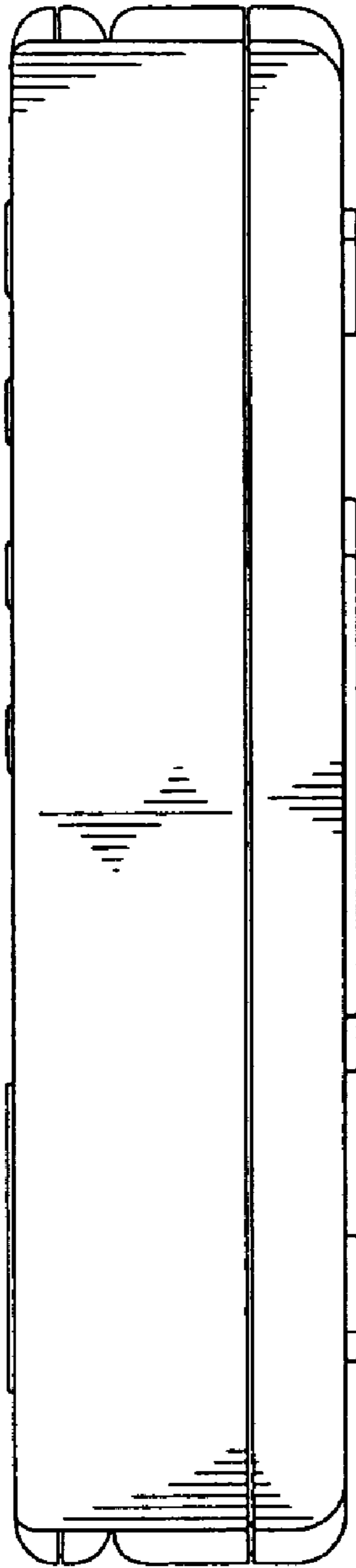


FIG. 3

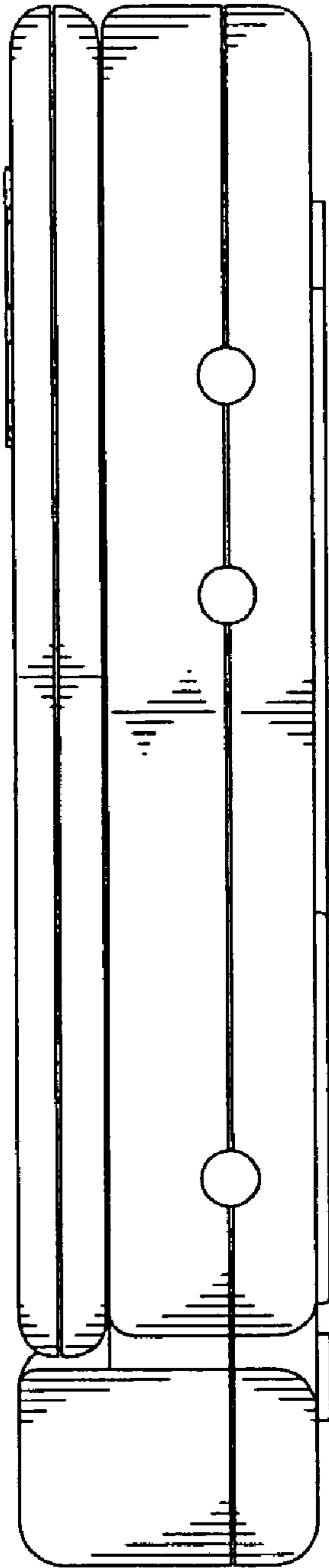


FIG. 4

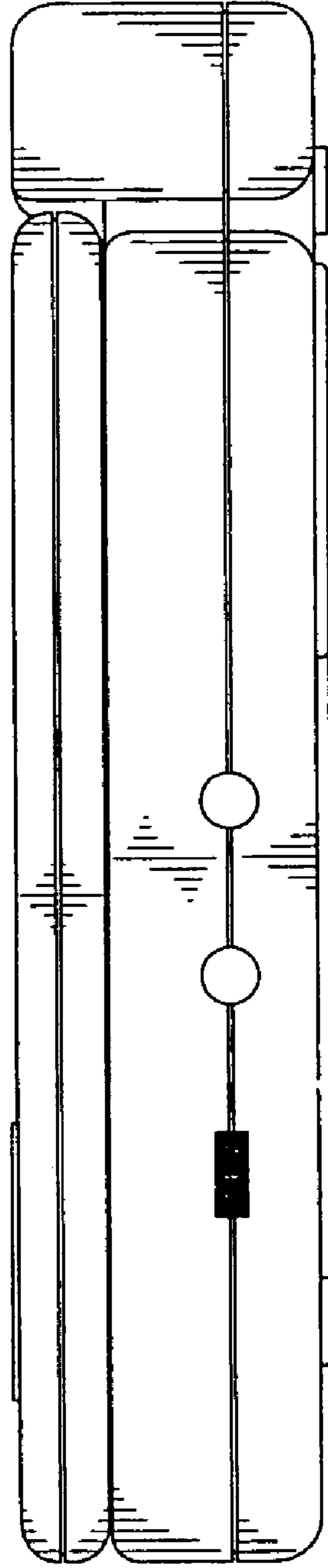


FIG. 5

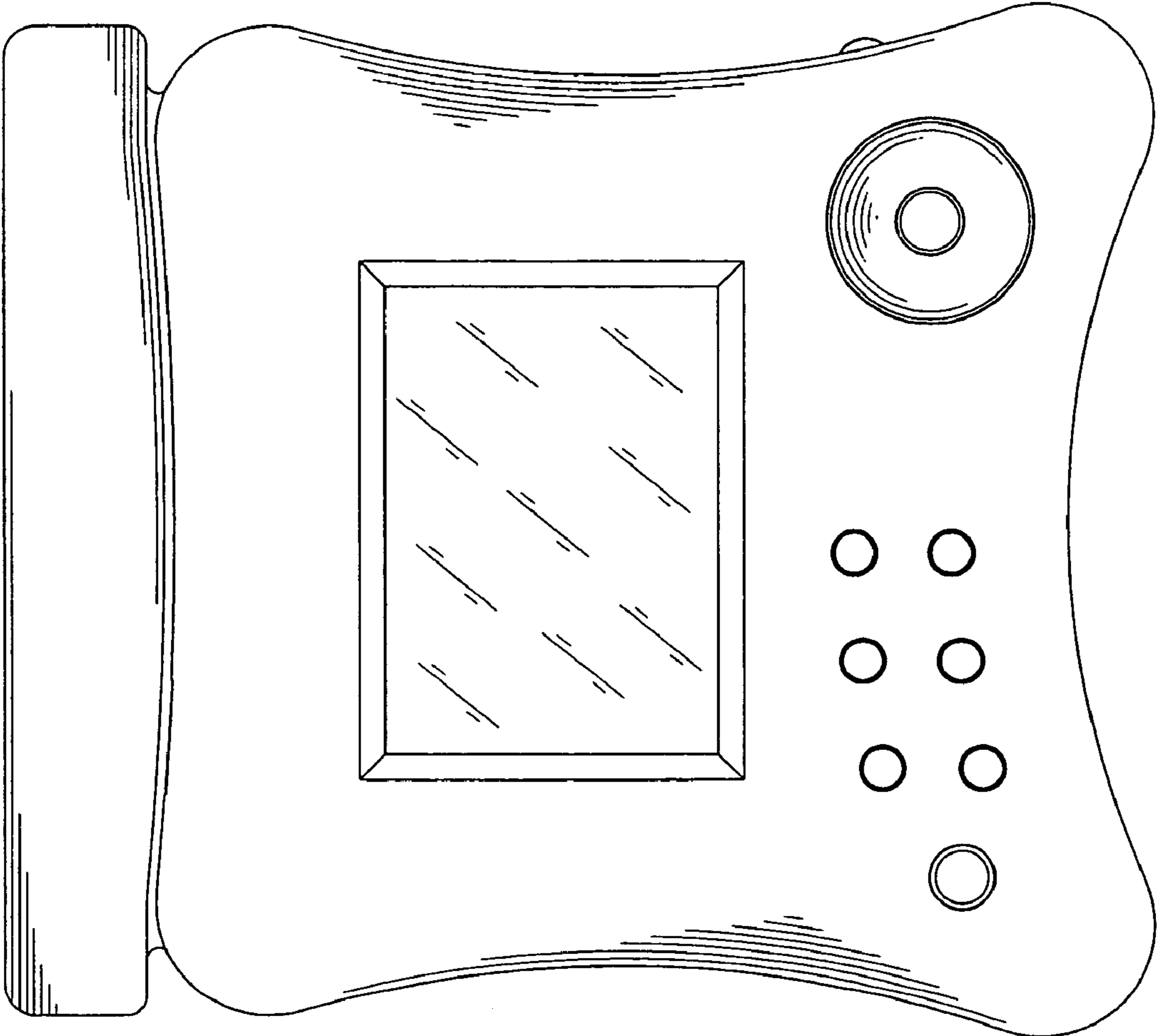


FIG. 6

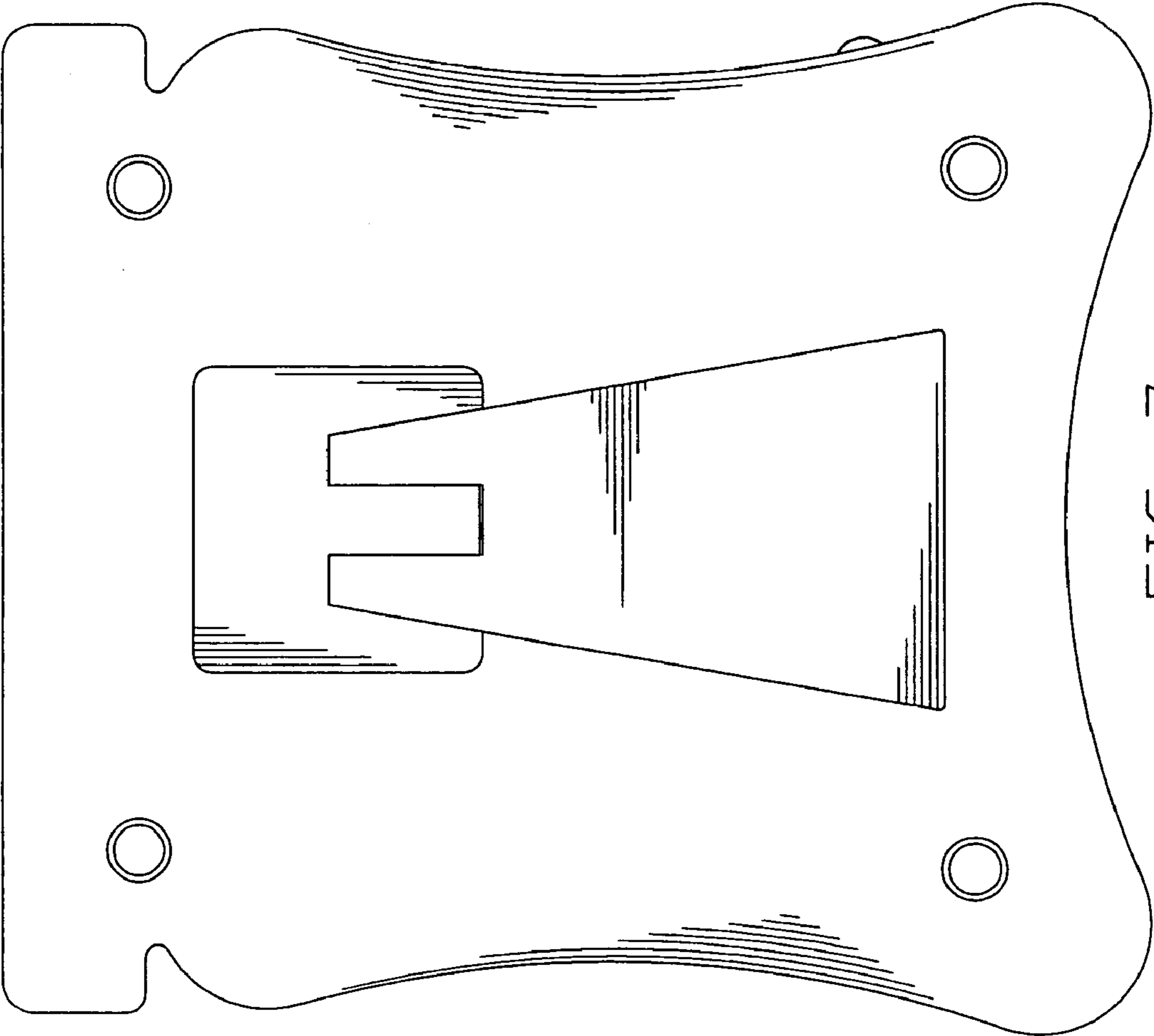


FIG. 7

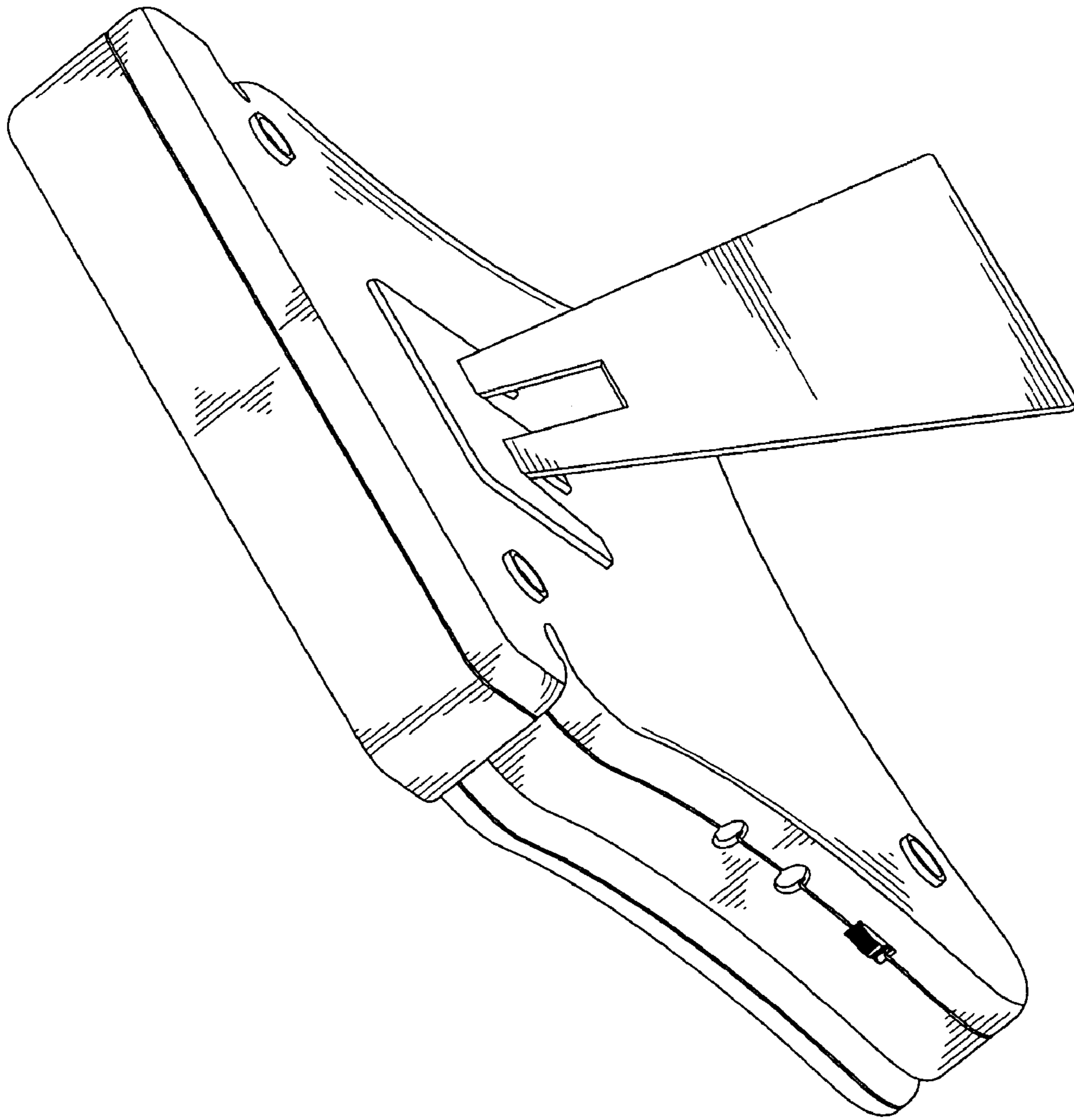


FIG. 8