

US00D548235S

(12) **United States Design Patent** (10) **Patent No.:** **US D548,235 S**
Krieger et al. (45) **Date of Patent:** **** Aug. 7, 2007**

(54) **POWER GRIP DOCK**

2006/0279039 A1* 12/2006 Krieger et al. 273/148 B

(75) Inventors: **Michael Krieger**, Miami Beach, FL (US); **Kevin Ellsworth**, Hollywood, FL (US)

OTHER PUBLICATIONS
www.psp411.com/show/product/628/0/Grip_Dock.html, PSP411.com, Feb. 9, 2007, 4 pgs.*

(73) Assignee: **Vector Products, Inc.**, Ft. Lauderdale, FL (US)

* cited by examiner

(**) Term: **14 Years**

Primary Examiner—Stella Reid
Assistant Examiner—Keli' L. Acker

(21) Appl. No.: **29/237,076**

(74) *Attorney, Agent, or Firm*—Venable LLP; Robert Kinberg

(22) Filed: **Aug. 26, 2005**

(57) **CLAIM**

(51) **LOC (8) Cl.** **14-03**

The ornamental design for a power grip dock, as shown and described.

(52) **U.S. Cl.** **D14/401**

(58) **Field of Classification Search** D14/356, D14/388, 399, 400, 432, 454-457, 412-416, D14/401; D21/324, 333, 329, 331, 332; 463/1, 30, 36-38, 46-47; 273/148 B, 148 R; 345/156-161, 905

See application file for complete search history.

DESCRIPTION

FIG. 1 is a front-top-right side perspective view of a power grip dock, showing our new design; FIG. 2 is a front elevation view thereof; FIG. 3 is a rear elevation view thereof; FIG. 4 is a left side view thereof; FIG. 5 is a right side view thereof; FIG. 6 is a top plan view thereof; and, FIG. 7 is a bottom plan view thereof.

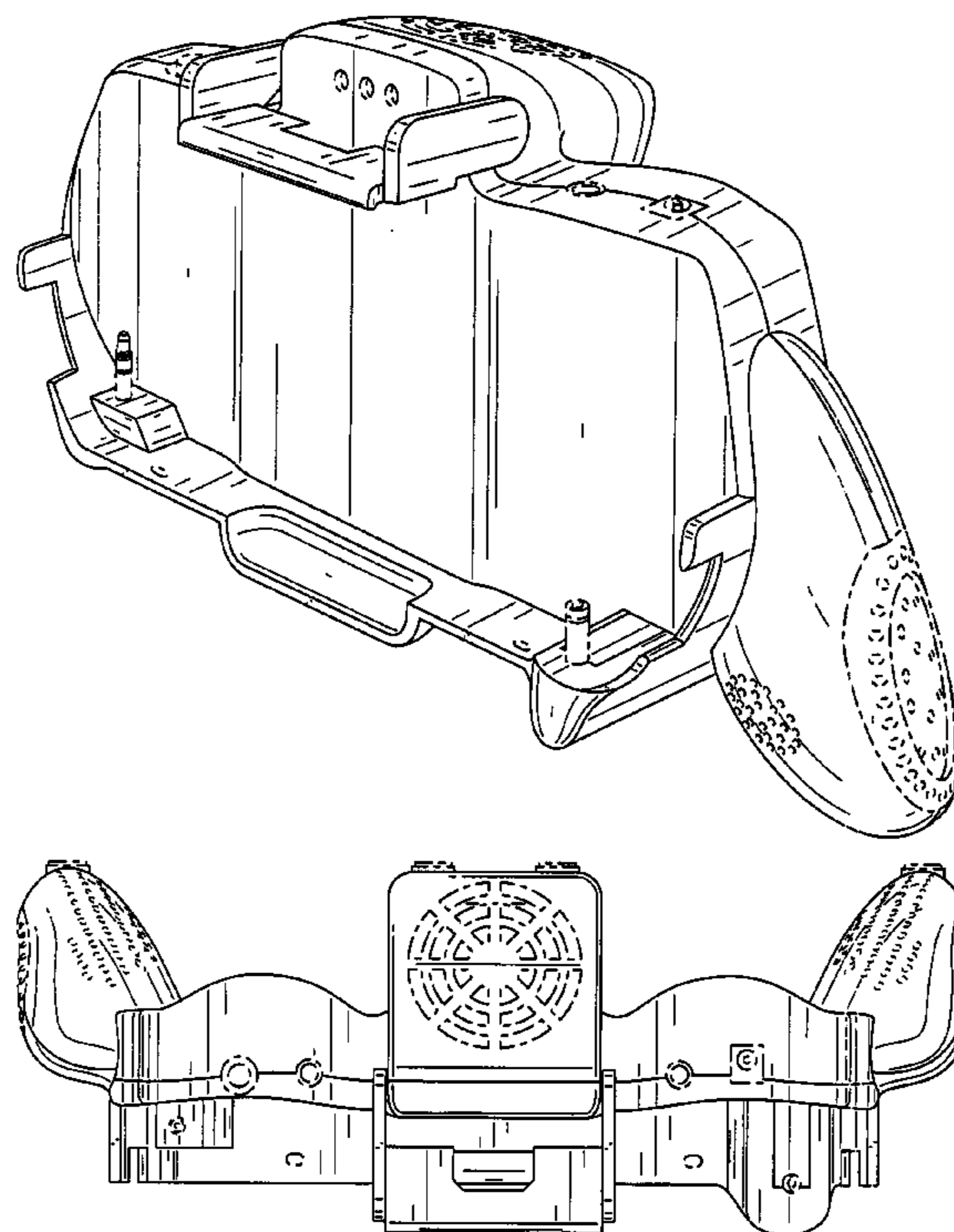
The broken lines immediately adjacent the shaded areas represent the bounds of the claimed design while all other broken lines are for illustrative purposes only; the broken lines form no part of the claimed design.

(56) **References Cited**

U.S. PATENT DOCUMENTS

- 5,046,739 A * 9/1991 Reichow 273/148 B
- D410,643 S * 6/1999 Tonino D14/401
- D464,996 S * 10/2002 Hussaini et al. D21/333
- D465,244 S * 11/2002 Hussaini et al. D21/333
- D470,192 S * 2/2003 Ku D14/454
- 6,530,570 B2 3/2003 Ku
- 6,530,838 B2 * 3/2003 Ha et al. 463/36

1 Claim, 7 Drawing Sheets



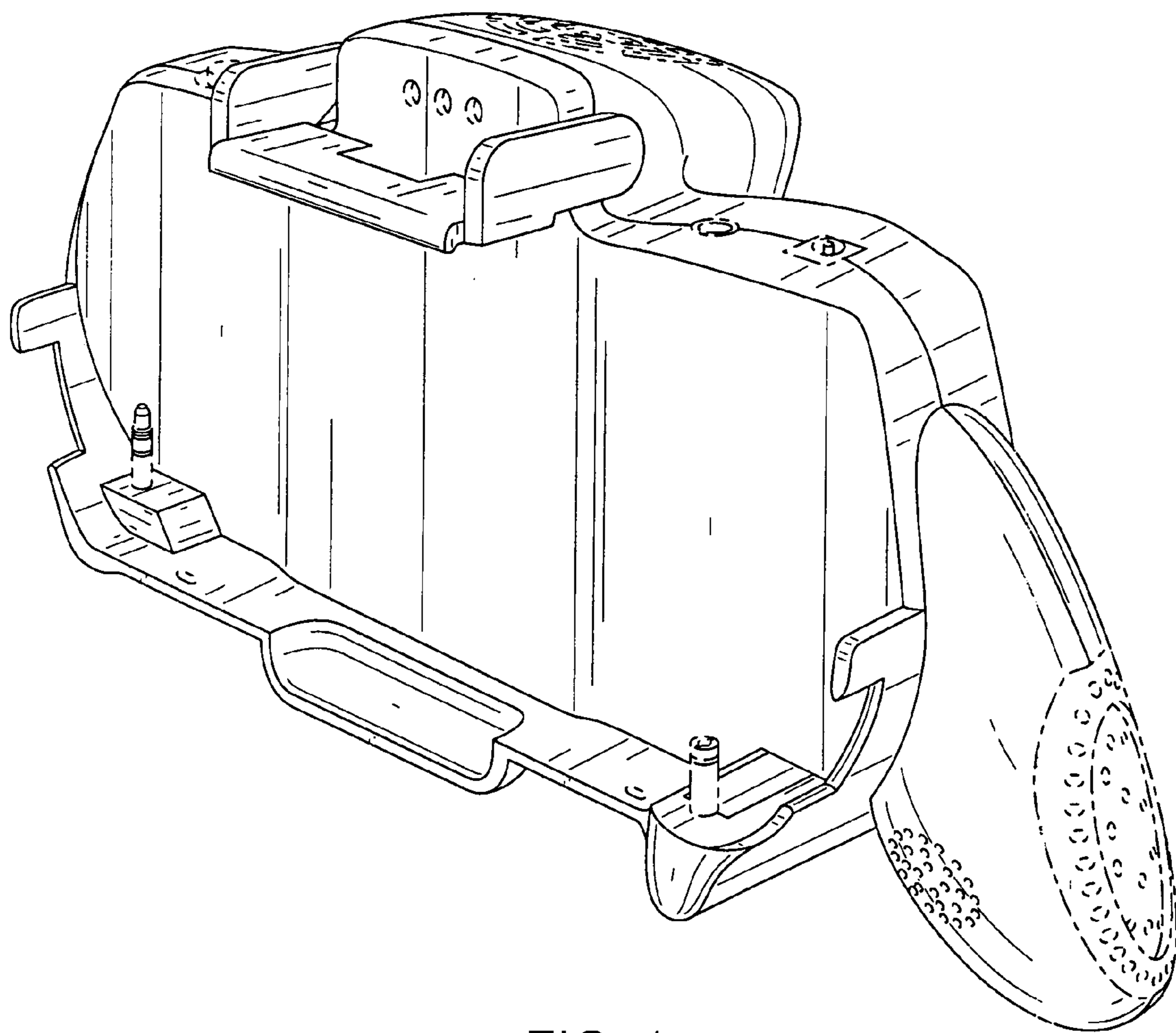


FIG. 1

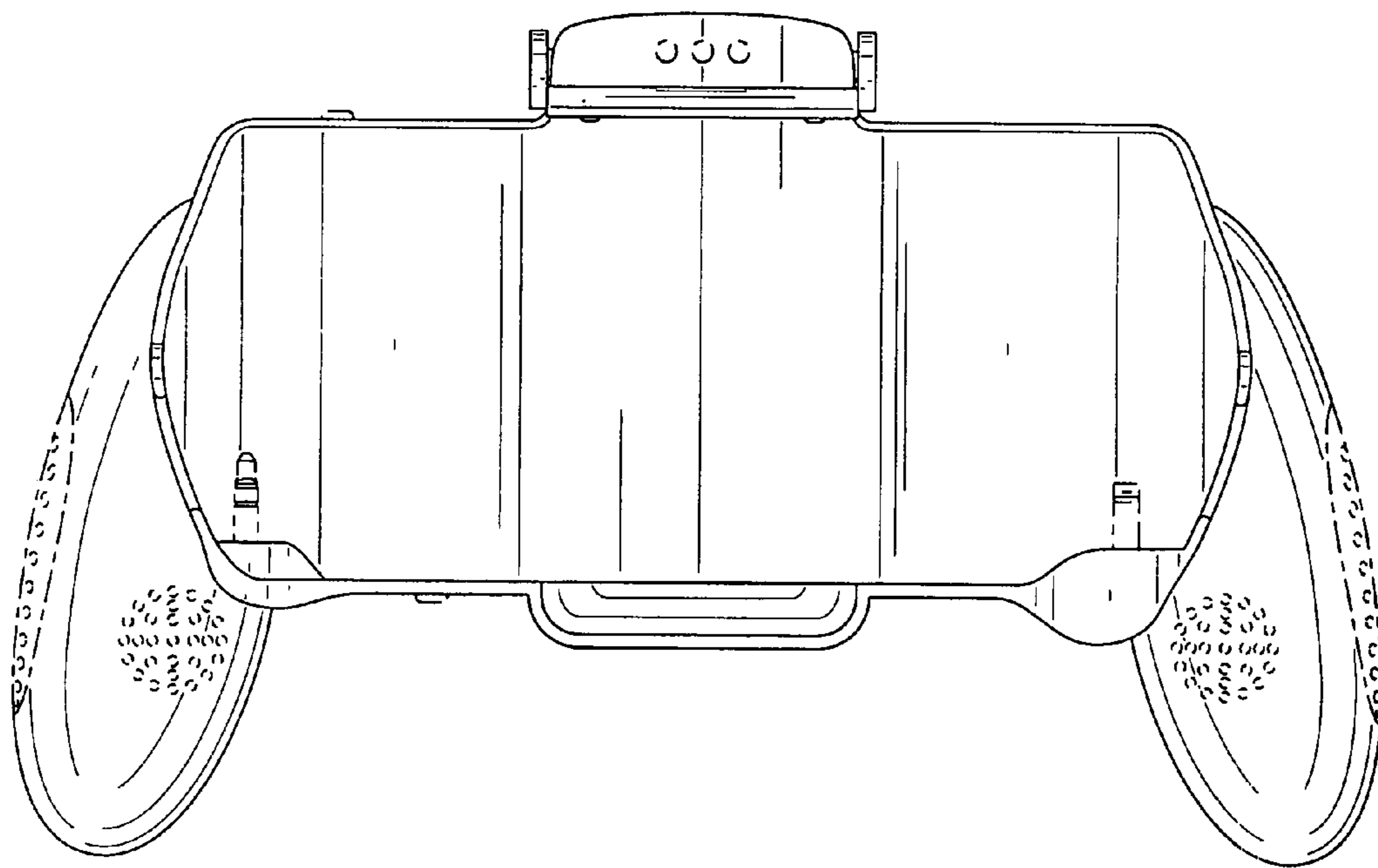


FIG. 2

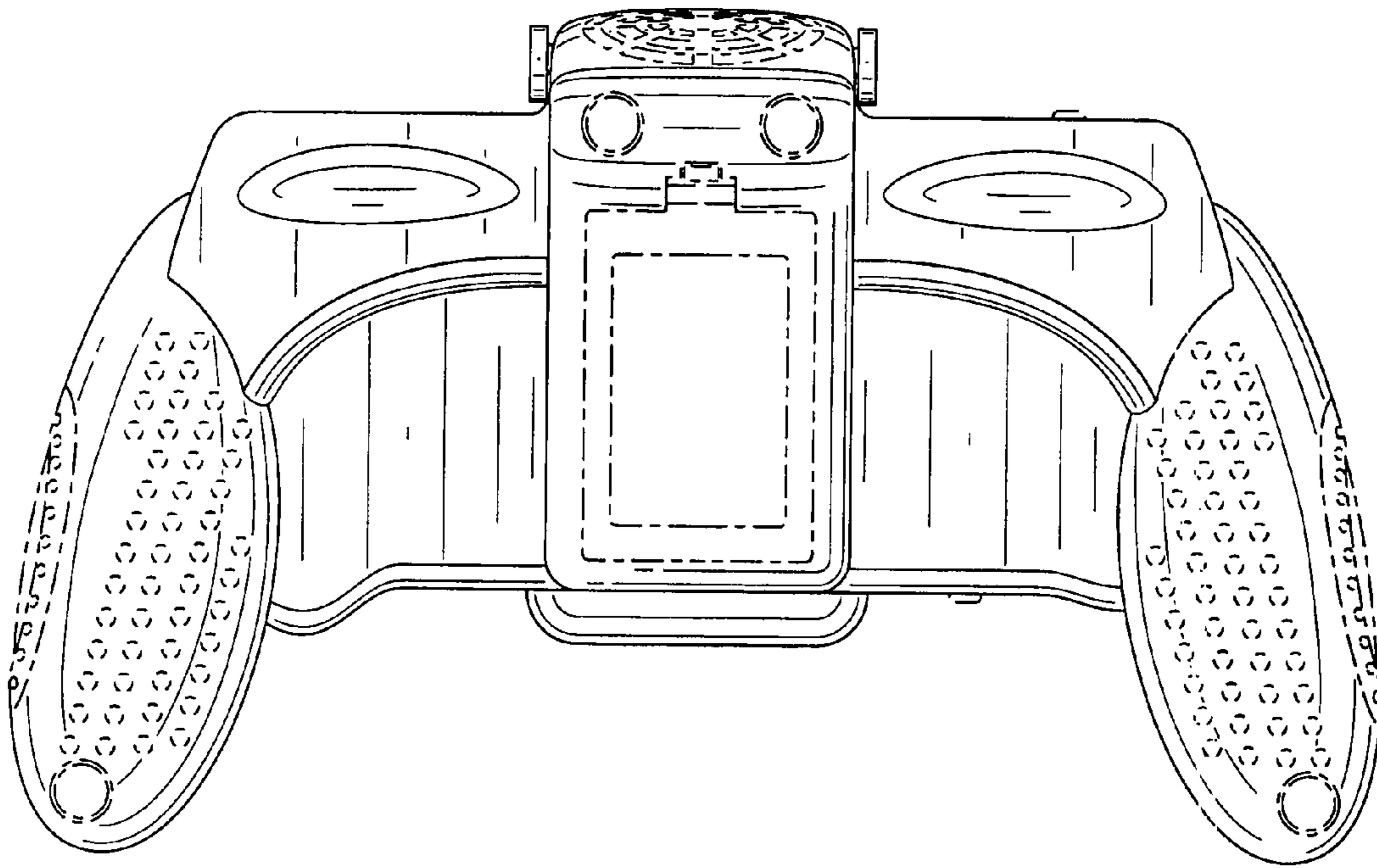


FIG. 3

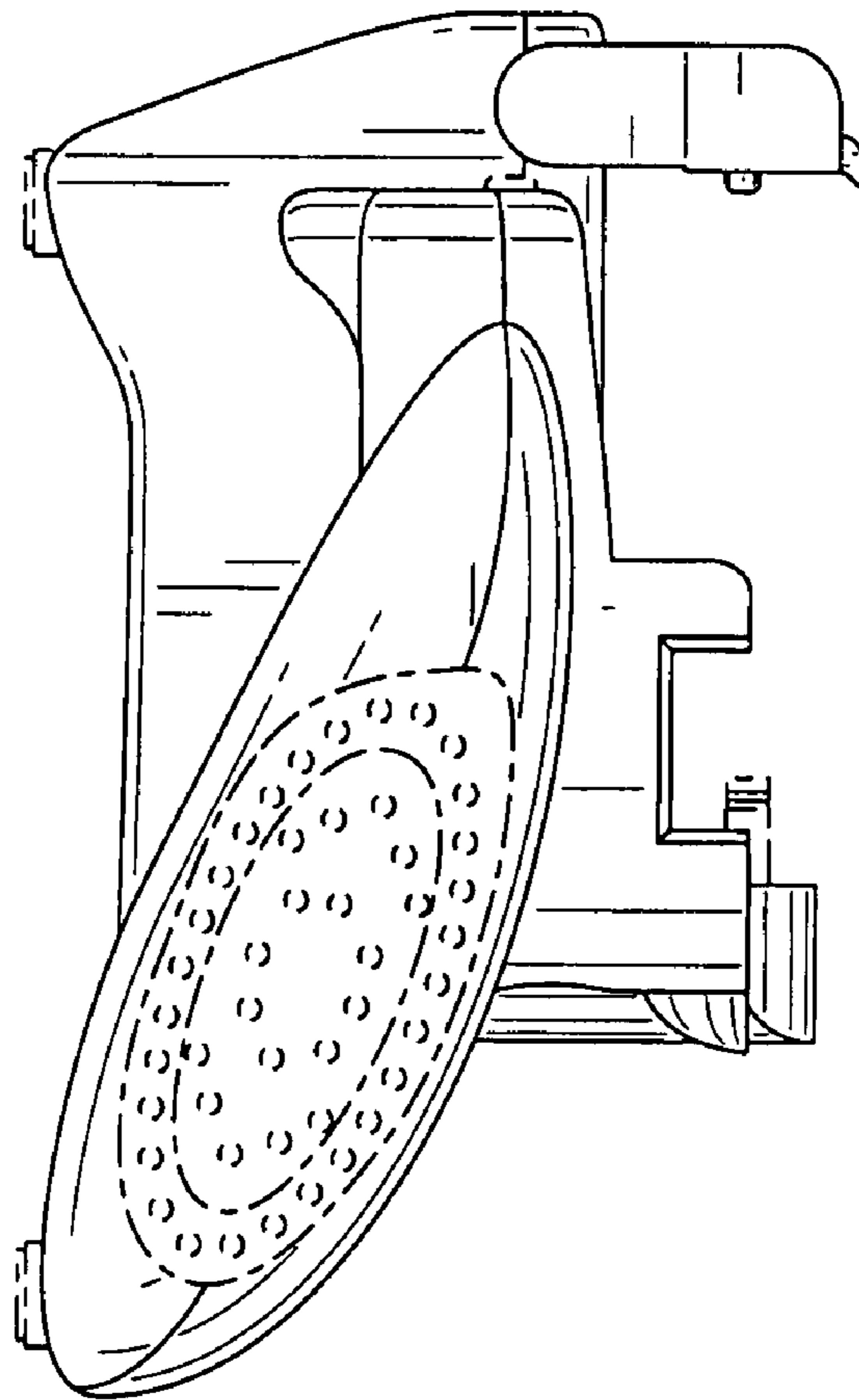


FIG. 4

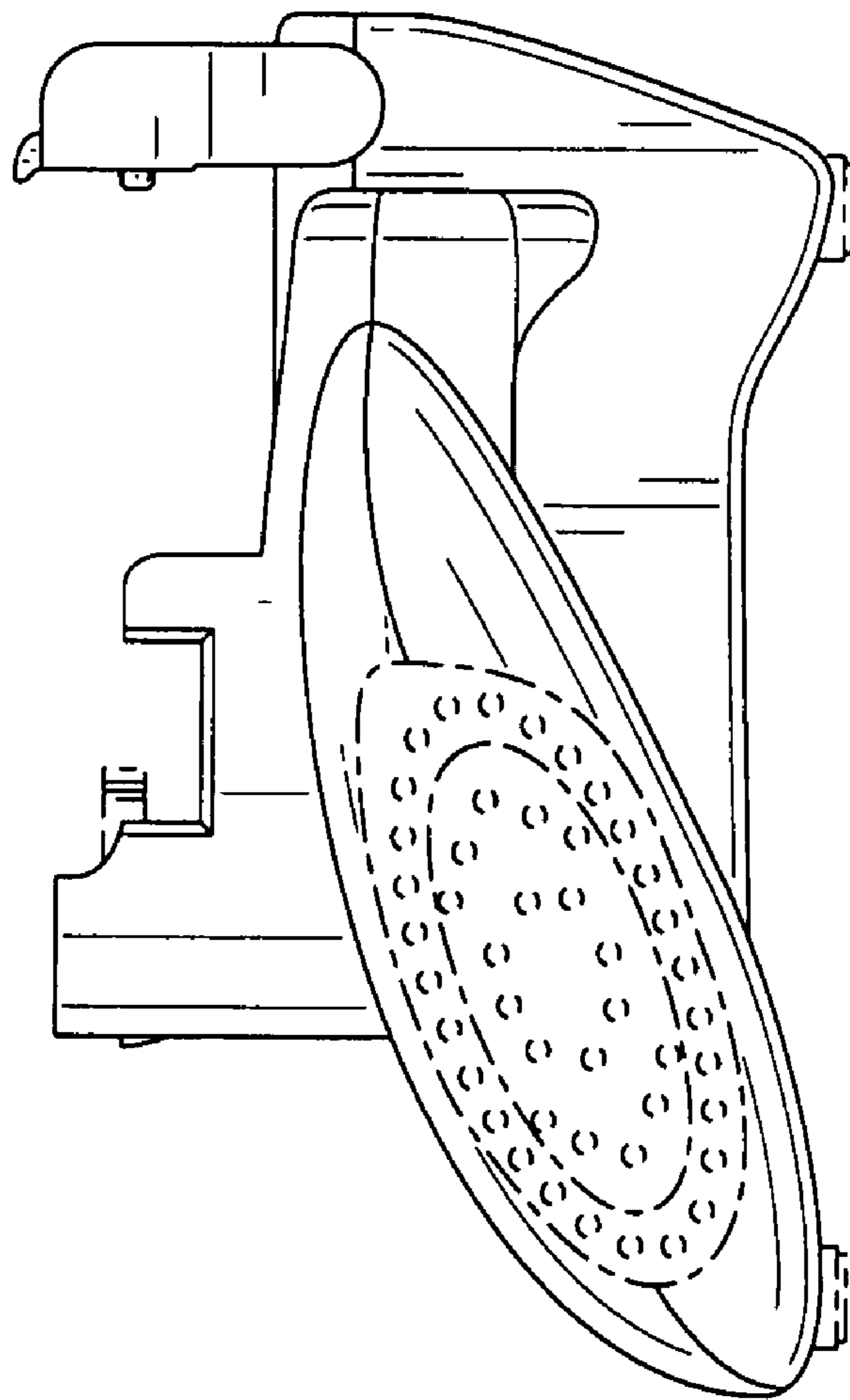


FIG. 5

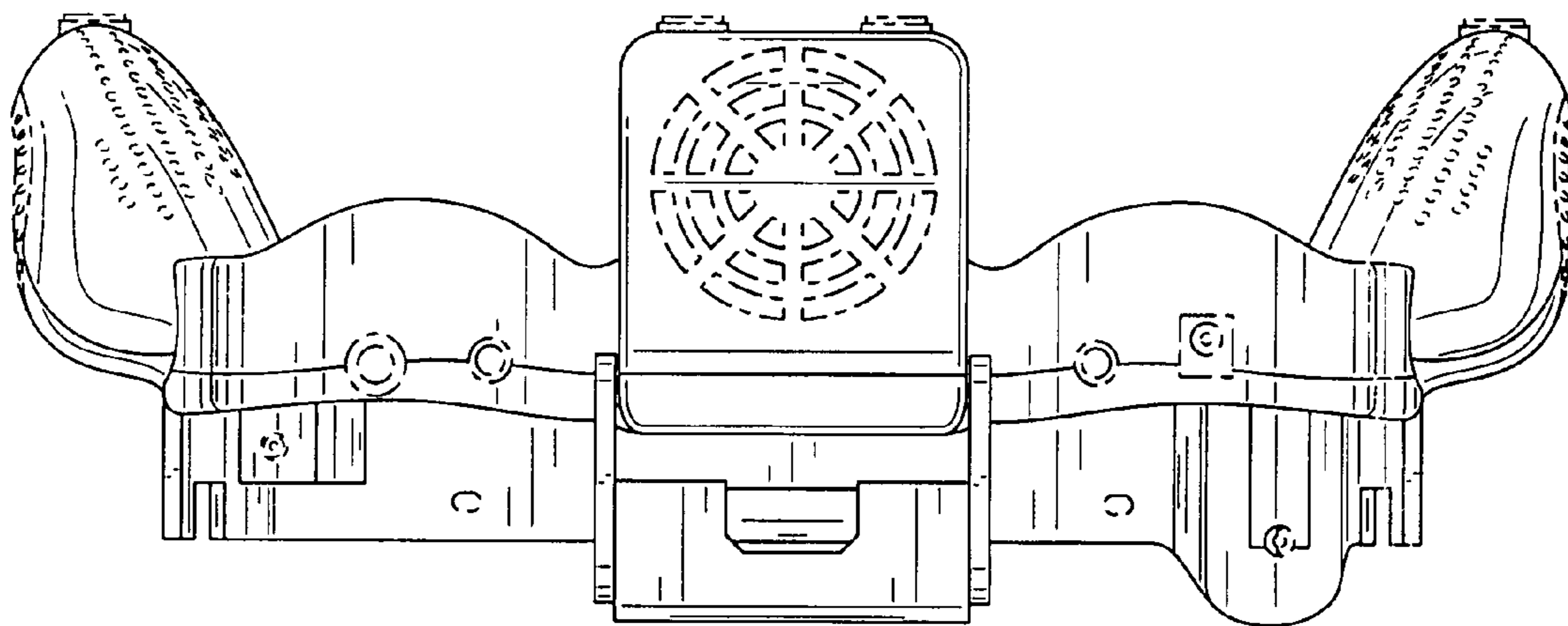


FIG. 6

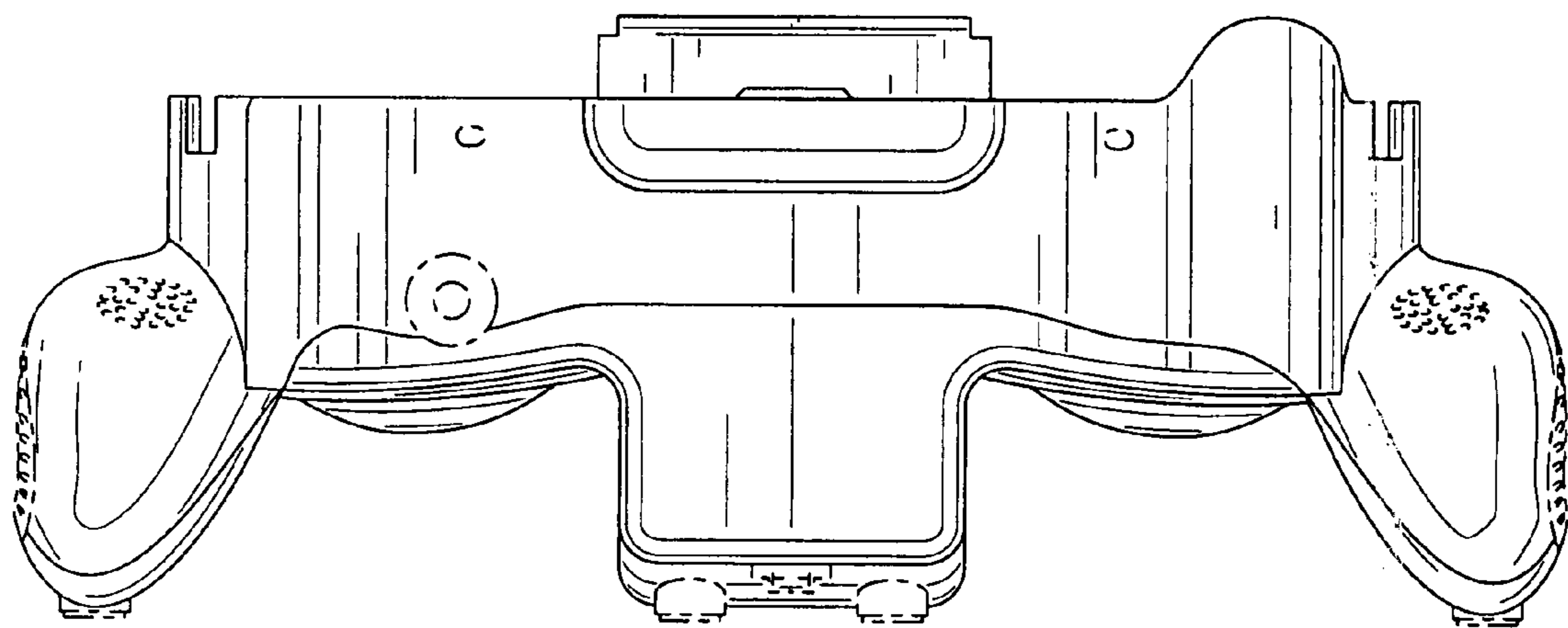


FIG. 7