

US00D548233S

(12) **United States Design Patent**  
**Loftus**

(10) **Patent No.:** **US D548,233 S**

(45) **Date of Patent:** **\*\* Aug. 7, 2007**

(54) **FLASH DRIVE**

(75) Inventor: **John Loftus**, Laguna Beach, CA (US)

(73) Assignee: **Imation Corp.**, Oakdale, MN (US)

(\*\*) Term: **14 Years**

(21) Appl. No.: **29/255,097**

(22) Filed: **Mar. 3, 2006**

(51) **LOC (8) Cl.** ..... **14-02**

(52) **U.S. Cl.** ..... **D14/356; D14/435**

(58) **Field of Classification Search** ..... D14/137,  
D14/156, 167, 240, 242, 299, 348, 356, 384-5,  
D14/402, 432-435, 496; 361/685-6; 365/63,  
365/131; 439/139-41, 144, 518, 638; 710/62,  
710/74

See application file for complete search history.

(56) **References Cited**

**U.S. PATENT DOCUMENTS**

D361,058 S *	8/1995	Domel et al. ....	D13/168
D378,678 S *	4/1997	Tyneski et al. ....	D14/137
D387,296 S *	12/1997	Yuen .....	D10/106
D444,788 S *	7/2001	Do et al. ....	D14/433
D463,426 S *	9/2002	Cheng .....	D14/356
D479,712 S *	9/2003	Ng .....	D14/156
D480,389 S *	10/2003	Schulz et al. ....	D14/240
D486,484 S *	2/2004	Bloomberg et al. ....	D14/248
D486,807 S *	2/2004	Takayama et al. ....	D14/137
D493,790 S *	8/2004	Wu .....	D14/348
D500,301 S *	12/2004	Deguchi .....	D14/167
D500,302 S *	12/2004	Deguchi .....	D14/167
D500,485 S *	1/2005	Deguchi .....	D14/167
6,926,544 B2 *	8/2005	Lee .....	439/147
D514,560 S *	2/2006	Brown et al. ....	D14/356
D519,503 S *	4/2006	Aqqad et al. ....	D14/356
D520,995 S *	5/2006	Chang .....	D14/356
D522,506 S *	6/2006	Chen .....	D14/356
D526,331 S *	8/2006	Lee .....	D14/496

D535,296 S *	1/2007	Boulware .....	D14/385
D535,308 S *	1/2007	Andre et al. ....	D14/496
2004/0038592 A1 *	2/2004	Yang .....	439/638

\* cited by examiner

*Primary Examiner*—Robin Webster

*Assistant Examiner*—Karen E. Patterson

(74) *Attorney, Agent, or Firm*—Eric D. Levinson

(57) **CLAIM**

The ornamental design for a flash drive, as shown and described.

**DESCRIPTION**

FIG. 1 is a top, front, and left perspective view of a flash drive, showing the design.

FIG. 2 is a top view of the flash drive.

FIG. 3 is a left side view of the flash drive.

FIG. 4 is a bottom view of the flash drive.

FIG. 5 is a front view of the flash drive.

FIG. 6 is a back view of the flash drive.

FIG. 7 is a top view of a flash drive without side ribs, showing the design.

FIG. 8 is a left side view of the flash drive of FIG. 7.

FIG. 9 is a bottom view of the flash drive of FIG. 7.

FIG. 10 is a front view of the flash drive of FIG. 7.

FIG. 11 is a back view of the flash drive of FIG. 7.

FIG. 12 is a top view of a flash drive without side ribs and an attachment loop, showing the design.

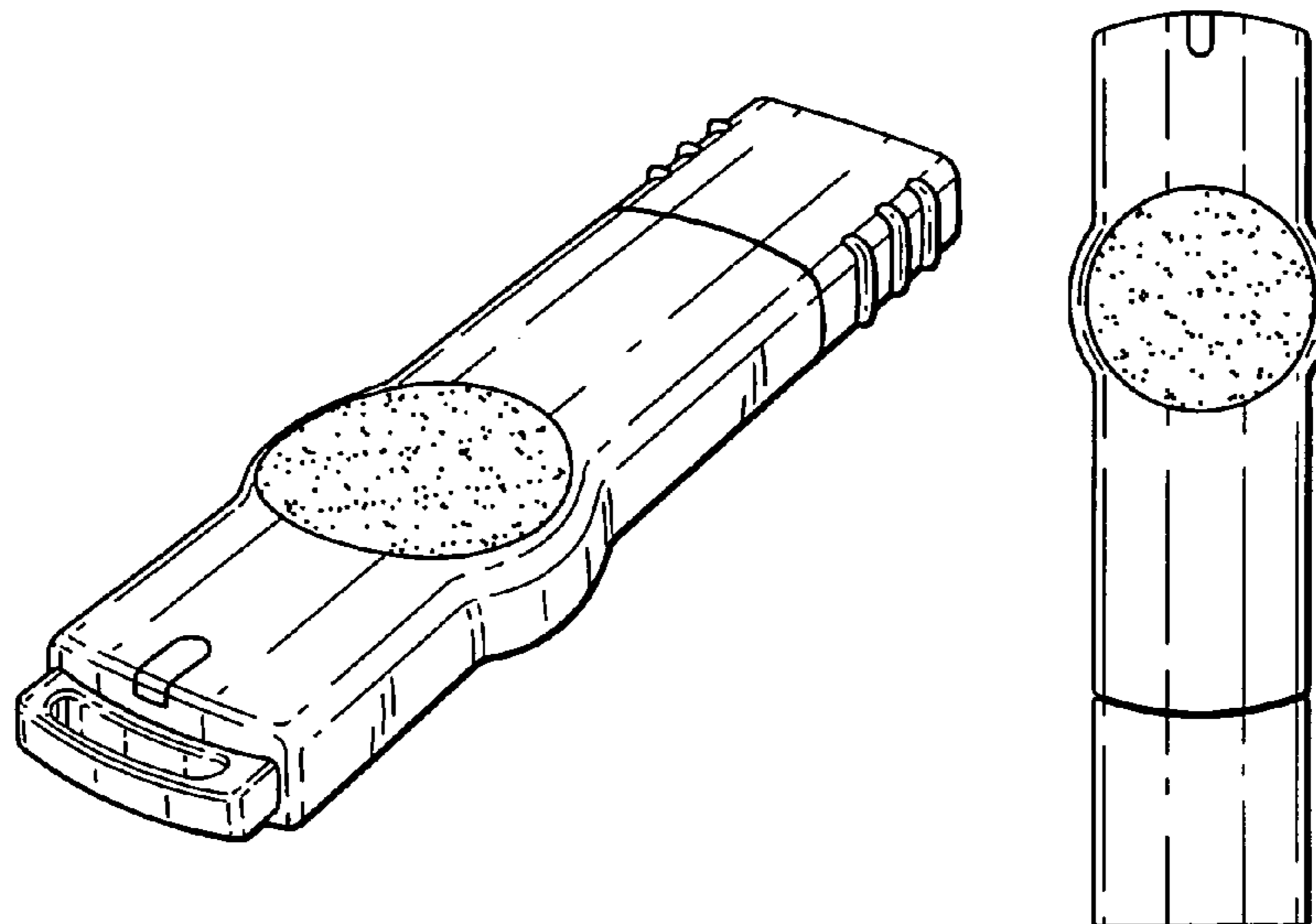
FIG. 13 is a left side view of the flash drive of FIG. 12.

FIG. 14 is a bottom view of the flash drive of FIG. 12.

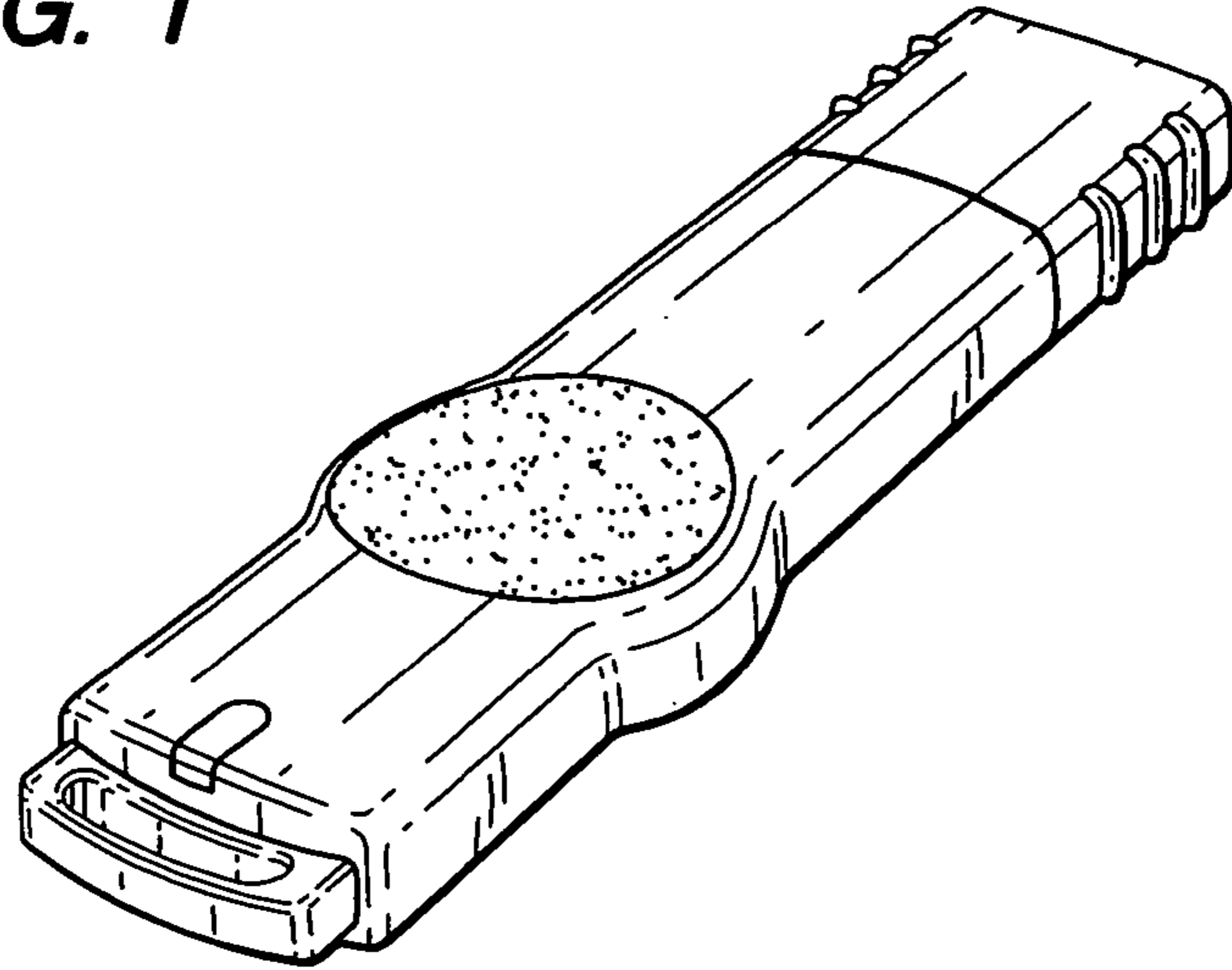
FIG. 15 is a front view of the flash drive of FIG. 12; and,

FIG. 16 is a back view of the flash drive of FIG. 12.

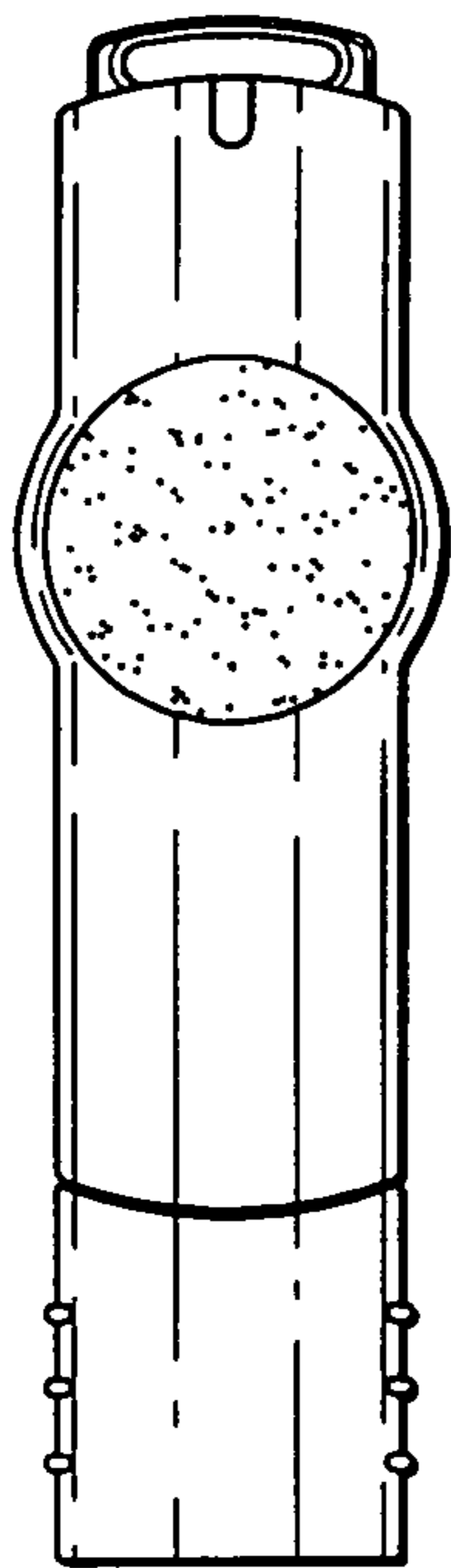
**1 Claim, 3 Drawing Sheets**



**FIG. 1**



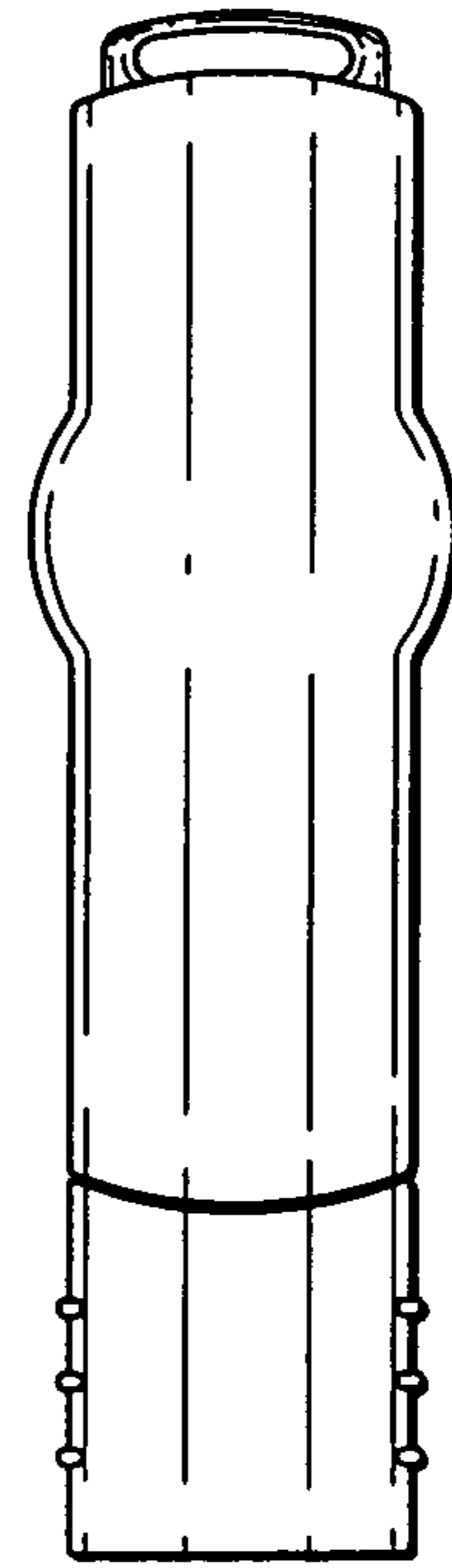
**FIG. 2**



**FIG. 3**



**FIG. 4**



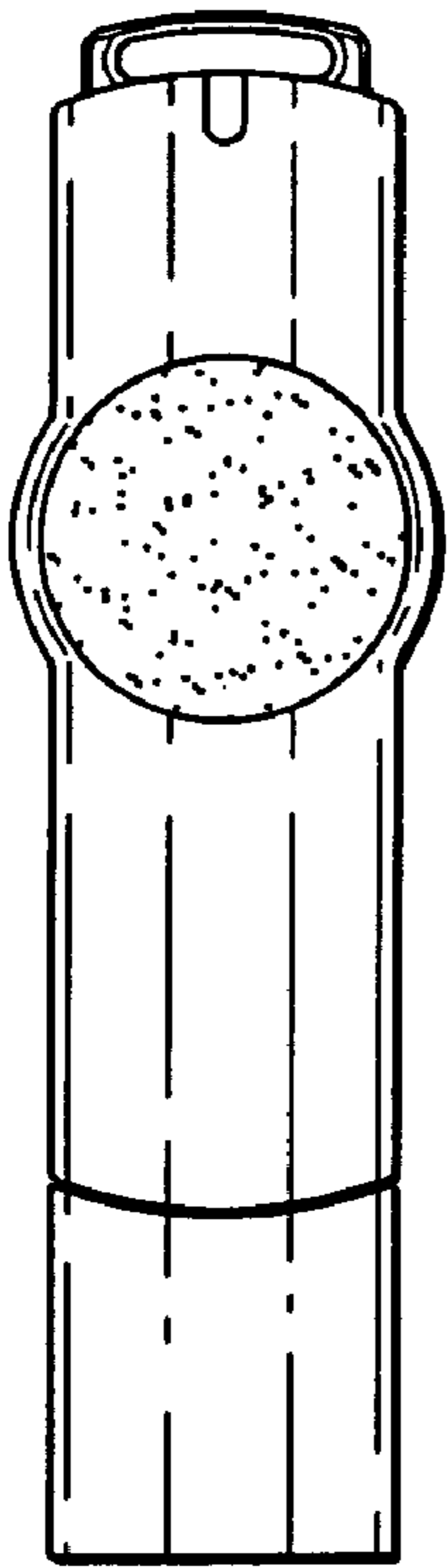
**FIG. 5**



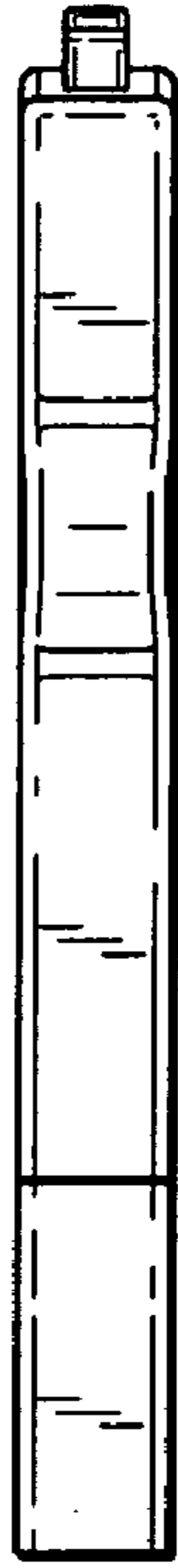
**FIG. 6**



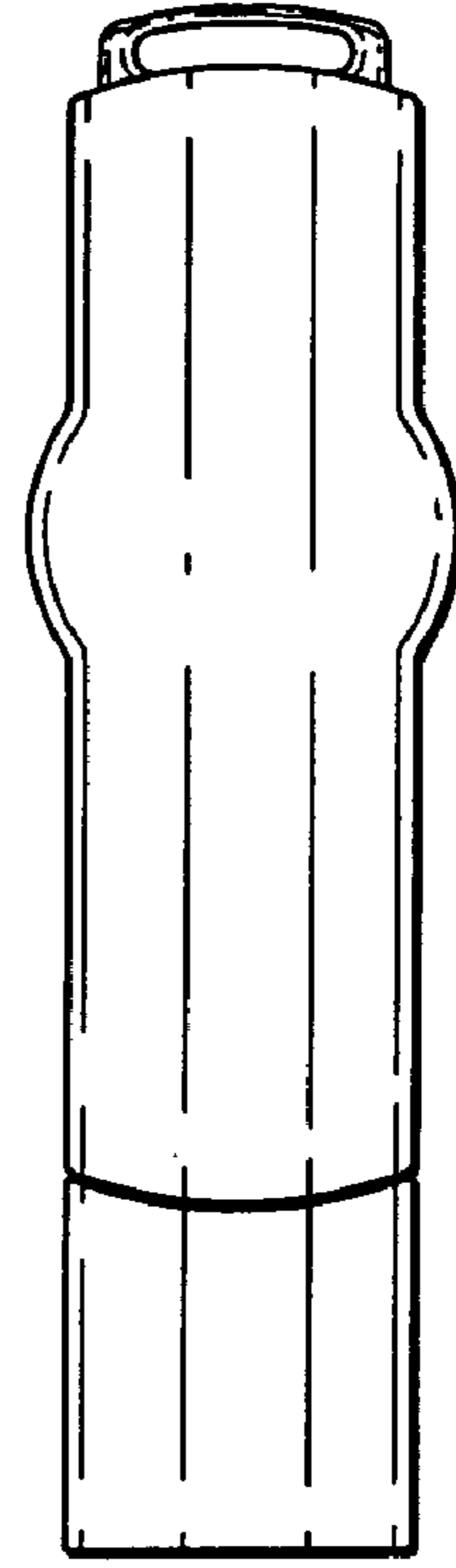
**FIG. 7**



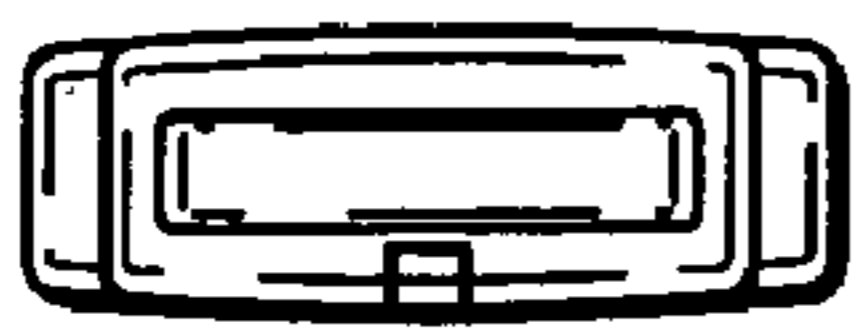
**FIG. 8**



**FIG. 9**



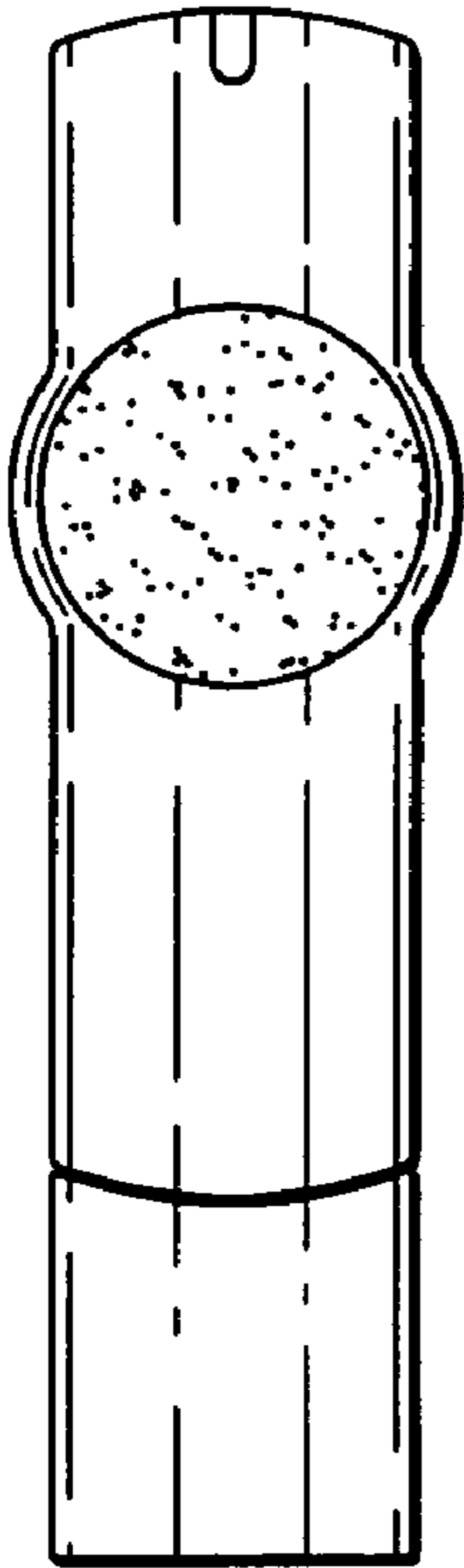
**FIG. 10**



**FIG. 11**



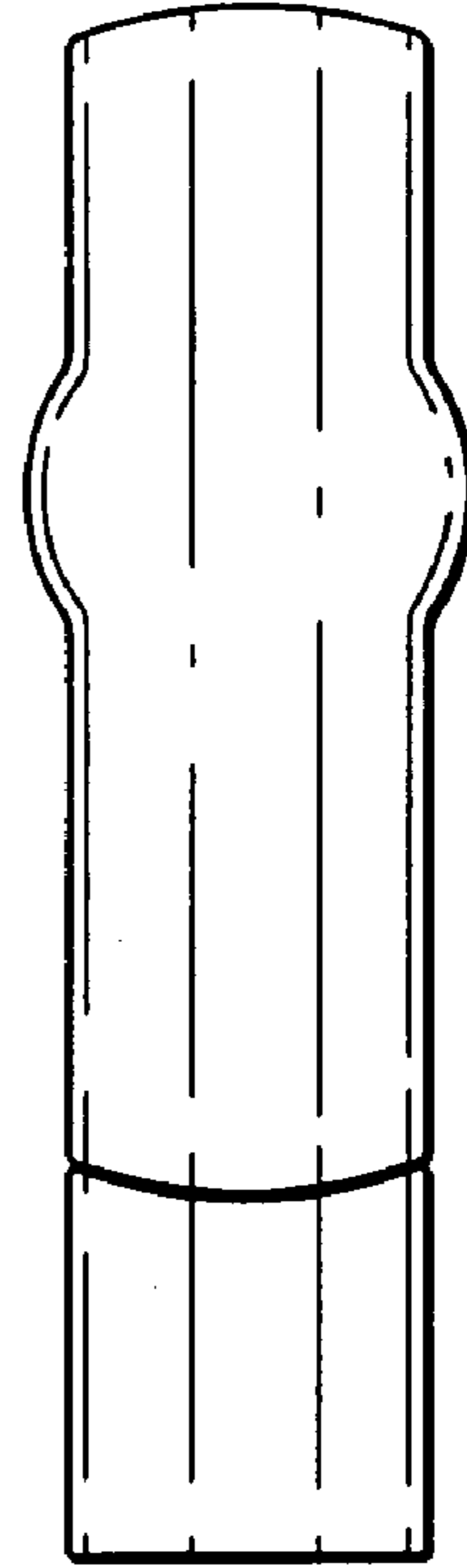
**FIG. 12**



**FIG. 13**



**FIG. 14**



**FIG. 15**



**FIG. 16**

