



US00D548231S

(12) **United States Design Patent**  
**Sato**

(10) **Patent No.:** **US D548,231 S**

(45) **Date of Patent:** **\*\* Aug. 7, 2007**

(54) **OPTICAL PICKUP**

(75) Inventor: **Keiichi Sato**, Yamagata (JP)

(73) Assignee: **Mitsumi Electric Co., Ltd.**, Tokyo (JP)

(\*\*) Term: **14 Years**

(21) Appl. No.: **29/260,491**

(22) Filed: **May 26, 2006**

(30) **Foreign Application Priority Data**

Dec. 15, 2005 (JP) ..... 2005-036945

(51) **LOC (8) Cl.** ..... **14-99**

(52) **U.S. Cl.** ..... **D14/260**

(58) **Field of Classification Search** ..... D14/260,  
D14/156, 260.1, 262, 217, 239, 299, 366;  
242/333.6, 356.4, 356.7; 360/71, 74.2, 96.1,  
360/114; 369/264; 720/659, 606, 661, 664,  
720/665, 671, 681, 684, 691, 694

See application file for complete search history.

(56) **References Cited**

**U.S. PATENT DOCUMENTS**

D433,015 S \* 10/2000 Mochizuki ..... D14/239  
D436,947 S \* 1/2001 Yamada et al. .... D14/239  
D475,365 S \* 6/2003 Yamamoto ..... D14/217

D476,315 S \* 6/2003 Honma et al. .... D14/217  
2006/0077783 A1\* 4/2006 Ishii et al. .... 369/44.14

\* cited by examiner

*Primary Examiner*—Robert M. Spear

*Assistant Examiner*—Katrina A. Kile

(74) *Attorney, Agent, or Firm*—Sughrue Mion, PLLC

(57) **CLAIM**

The ornamental design for an optical pickup, as shown and described.

**DESCRIPTION**

FIG. 1 is a perspective view of the top, front and right side of an optical pickup showing my new design;

FIG. 2 is a front elevational view thereof;

FIG. 3 is a rear elevational view thereof;

FIG. 4 is a right side elevational view thereof;

FIG. 5 is a left side view elevational thereof;

FIG. 6 is a top plan view thereof; and,

FIG. 7 is a bottom plan view thereof.

The portions shown in broken lines are for illustrative purposes only and form no part of the claimed design.

**1 Claim, 5 Drawing Sheets**

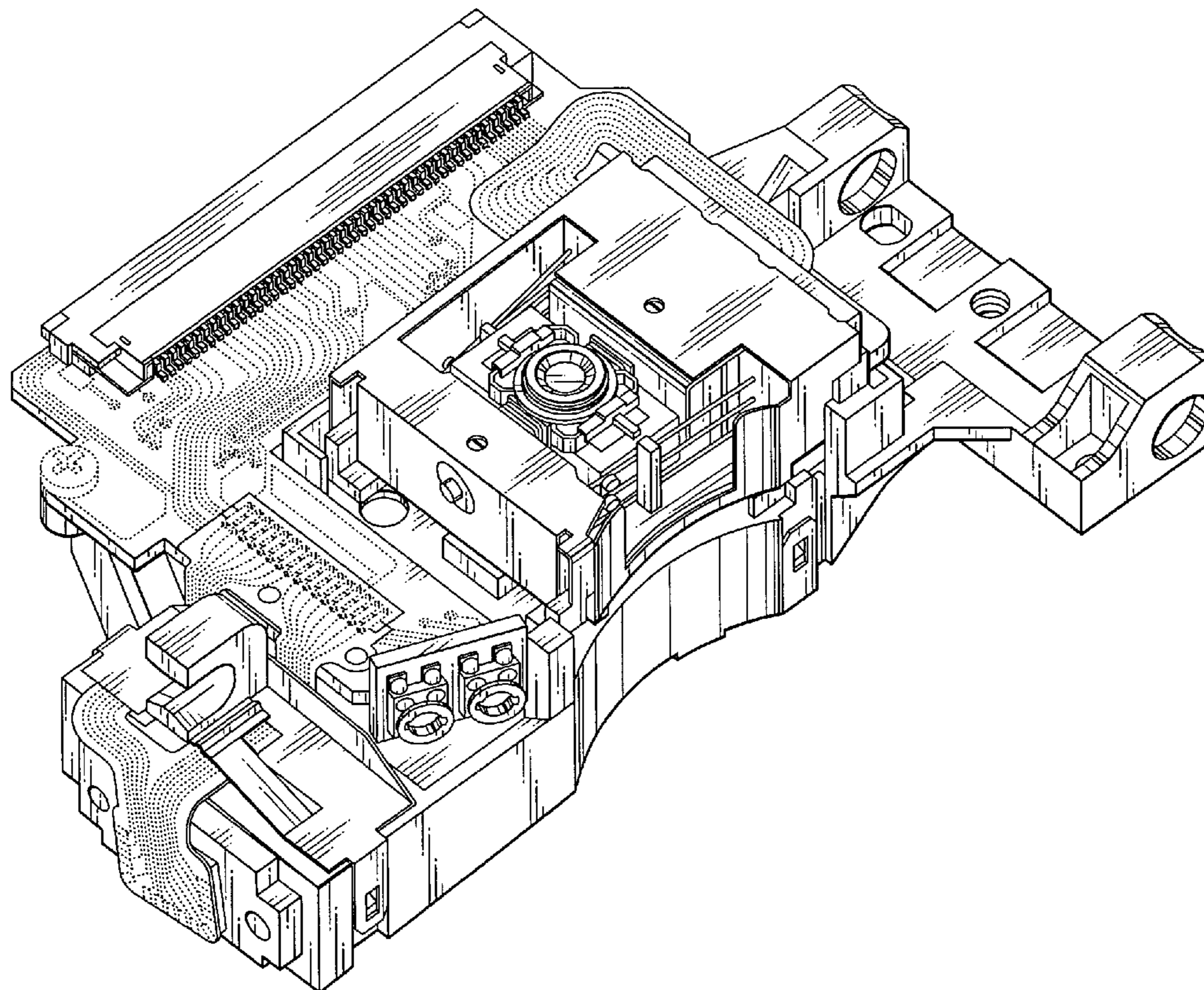


FIG.1

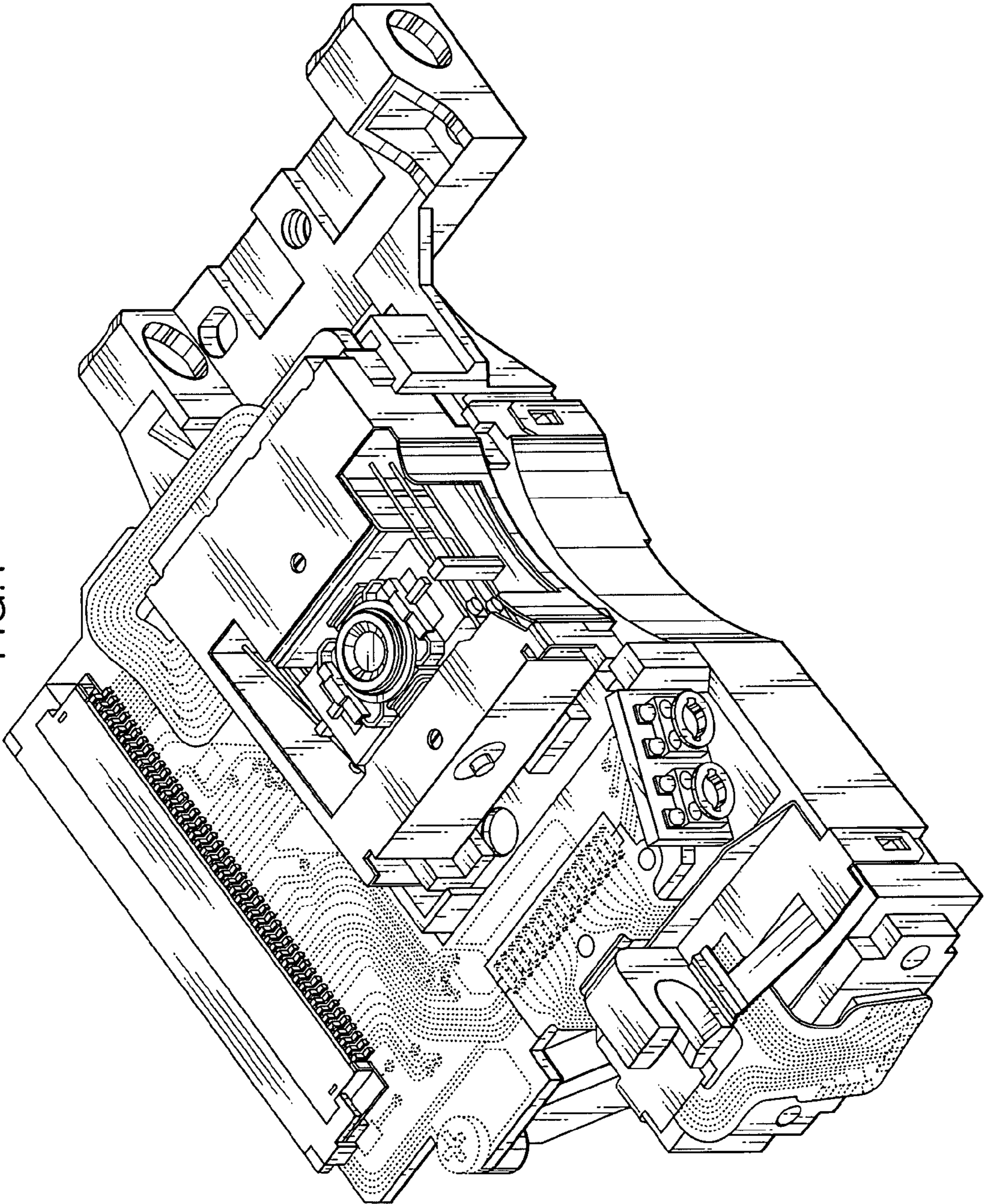


FIG.2

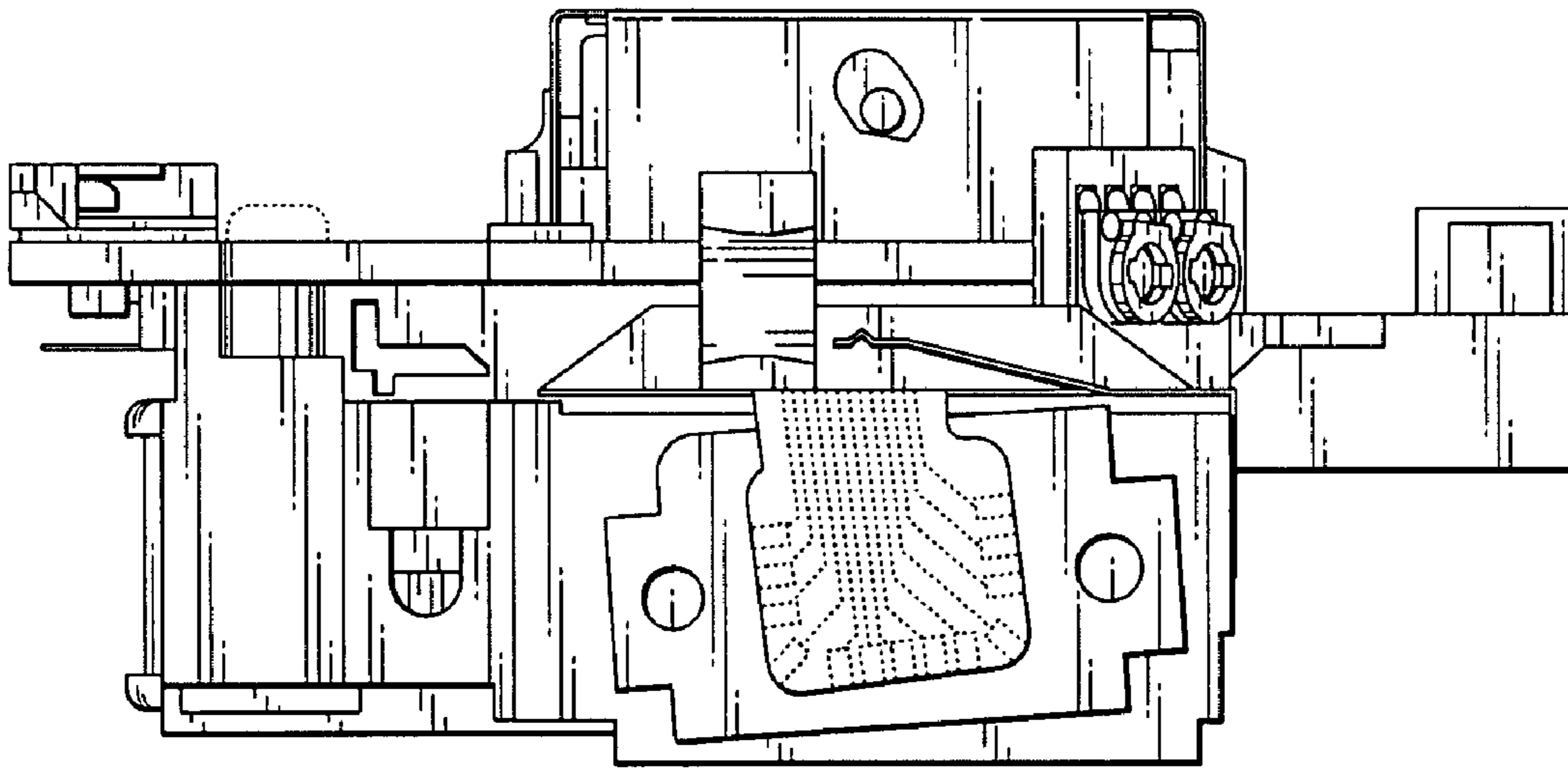


FIG.3

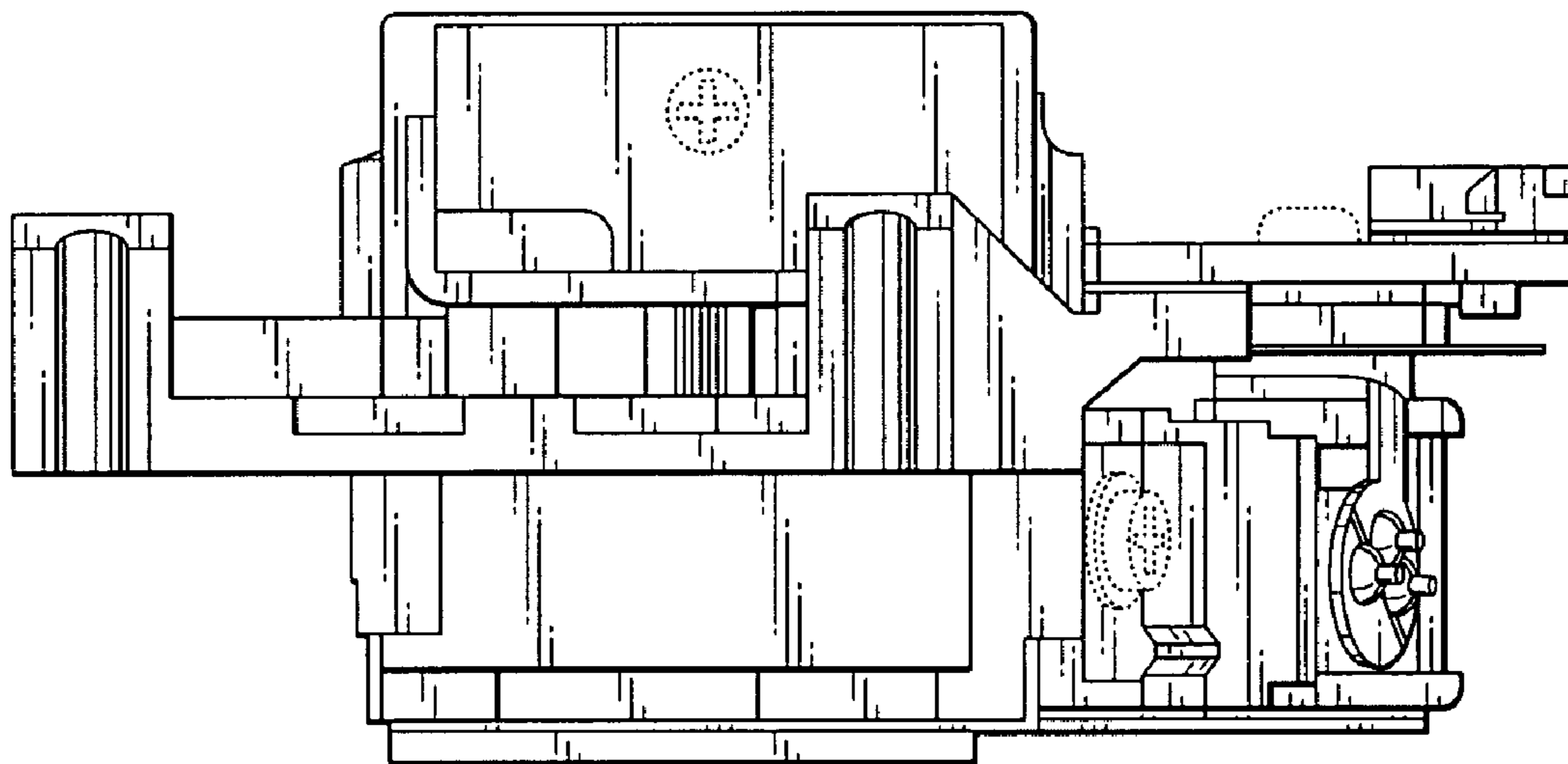


FIG.4

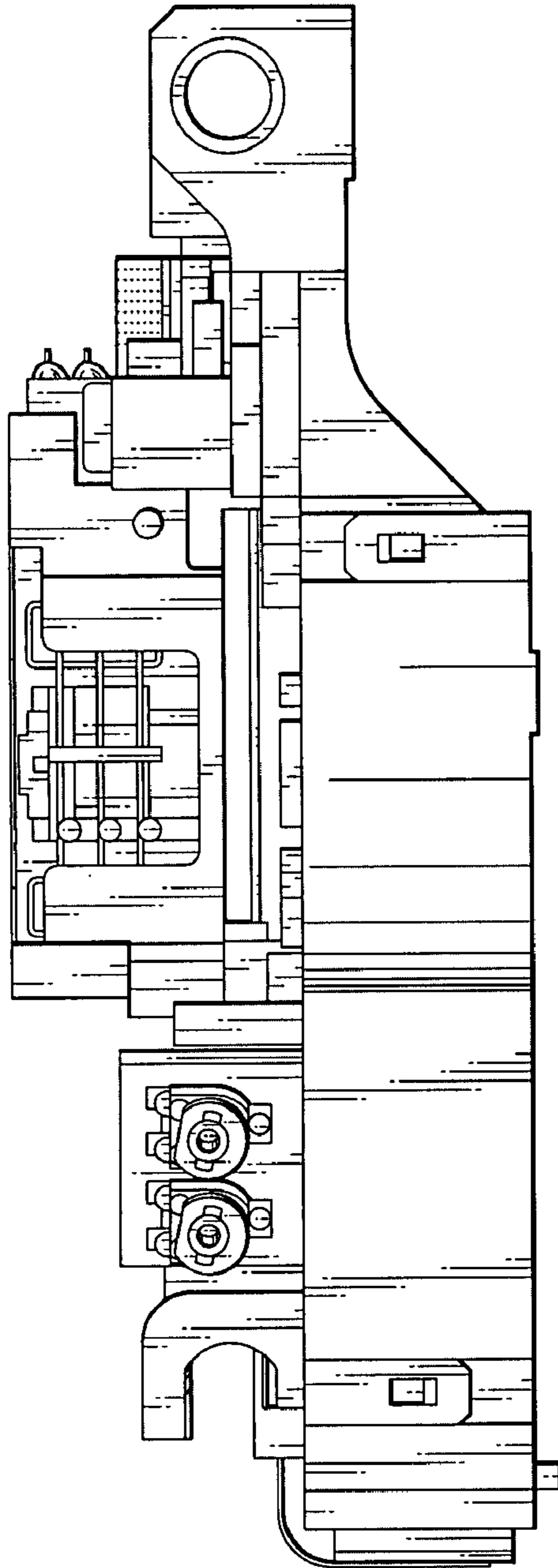


FIG.5

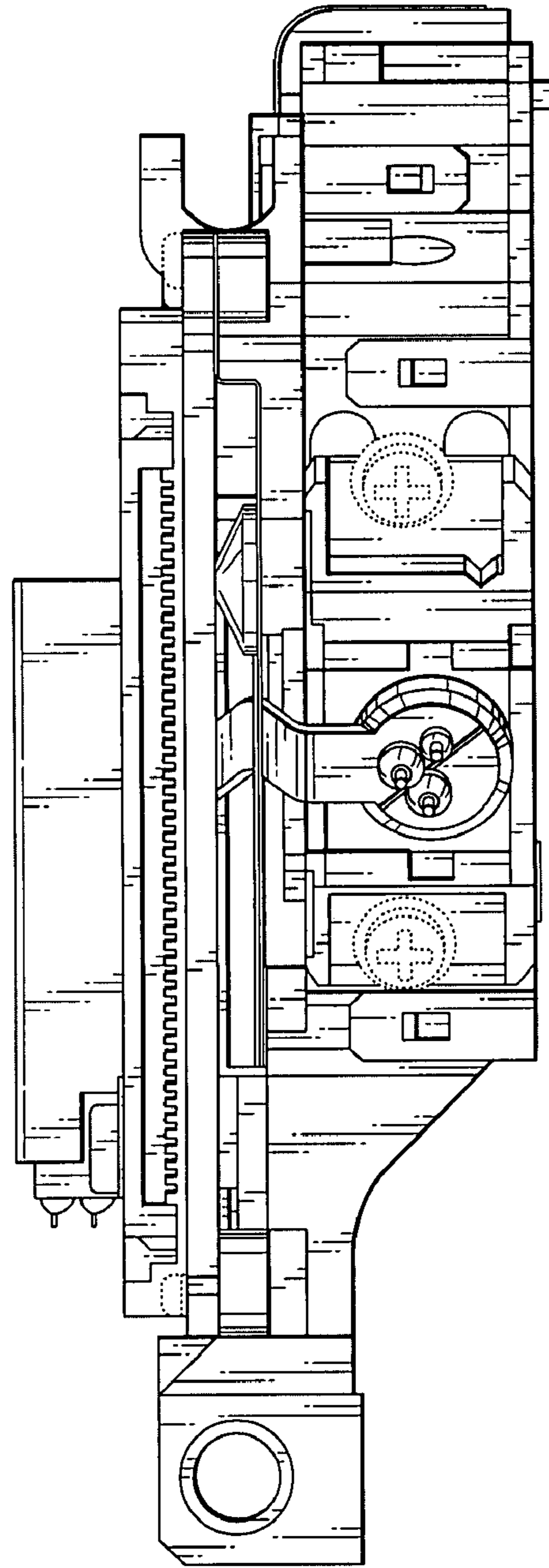


FIG.6

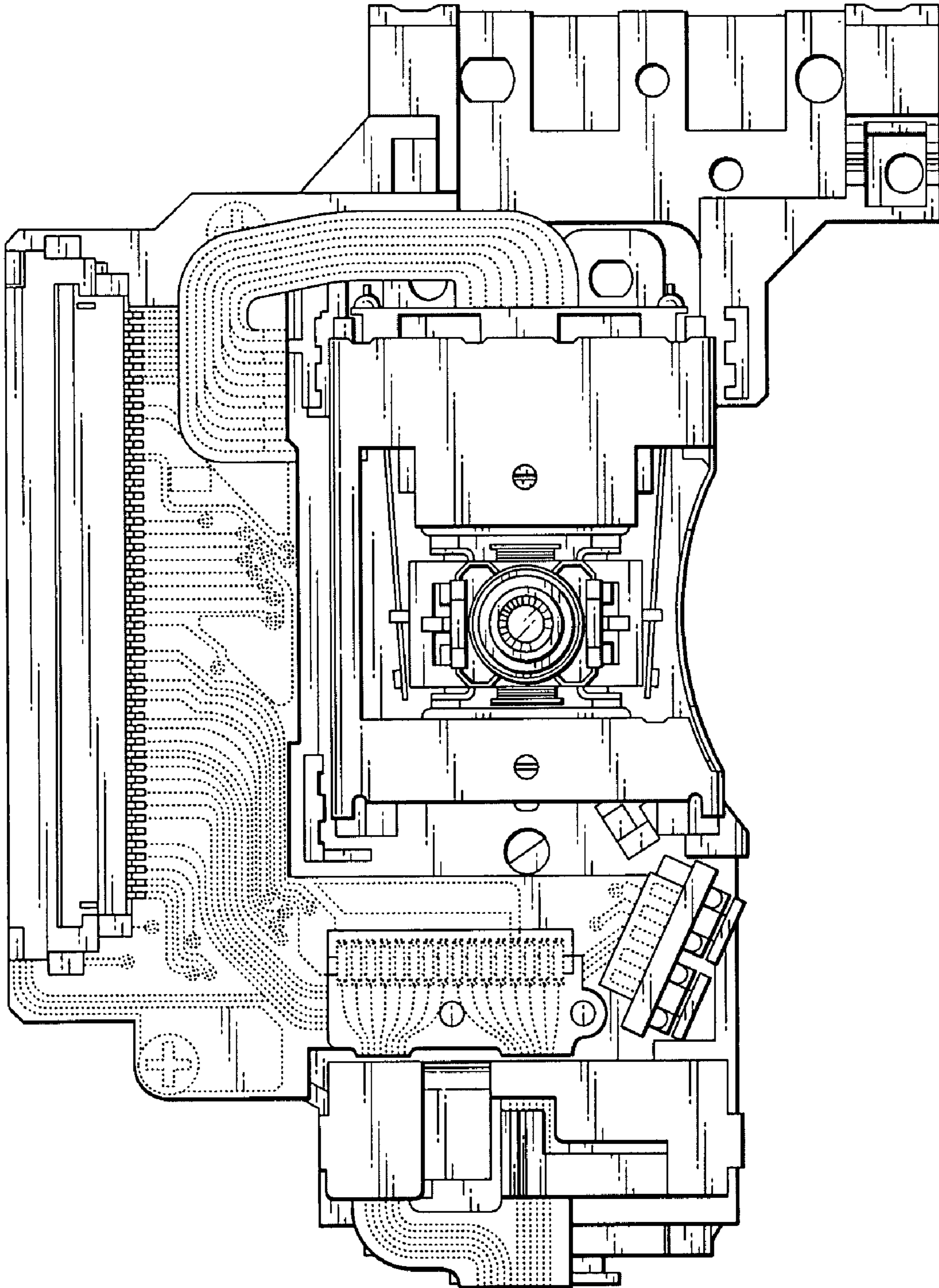


FIG.7

