



US00D548227S

(12) **United States Design Patent**
Wang et al.

(10) **Patent No.:** **US D548,227 S**

(45) **Date of Patent:** **** Aug. 7, 2007**

(54) **DISPLAY STAND**

(75) Inventors: **Dragon Wang**, Taipei (TW); **Jami Wang**, Taipei (TW); **Kelly Chuang**, Taipei (TW)

(73) Assignee: **Inventec Corporation**, Taipei (TW)

(**) Term: **14 Years**

(21) Appl. No.: **29/243,213**

(22) Filed: **Nov. 22, 2005**

(51) **LOC (8) Cl.** **14-03**

(52) **U.S. Cl.** **D14/239**

(58) **Field of Classification Search** D14/125-134,
D14/239, 451, 439, 371, 136, 374-382; 312/7.2;
348/836, 180, 838, 184, 325, 739; 341/12;
248/917-924, 465; 345/104, 133, 156, 168,
345/173; 720/605, 600, 655, 669; 369/99,
369/197; 455/344-347

See application file for complete search history.

(56) **References Cited**

U.S. PATENT DOCUMENTS

D416,549 S * 11/1999 Coster et al. D14/375
D482,339 S * 11/2003 Yin et al. D14/134

D489,721 S * 5/2004 Peng et al. D14/371
D514,568 S * 2/2006 Huang et al. D14/375
D517,549 S * 3/2006 Depay D14/375
D527,358 S * 8/2006 Voege D14/126
D532,398 S * 11/2006 Naruo D14/129

* cited by examiner

Primary Examiner—Raphael Barkai

Assistant Examiner—Randall H. Gholson

(74) *Attorney, Agent, or Firm*—Birch, Stewart, Kolasch & Birch, LLP

(57) **CLAIM**

The ornamental design for a display stand, as shown.

DESCRIPTION

FIG. 1 is a perspective view of a display stand showing my new design;

FIG. 2 is a front elevational view thereof;

FIG. 3 is a rear elevational view thereof;

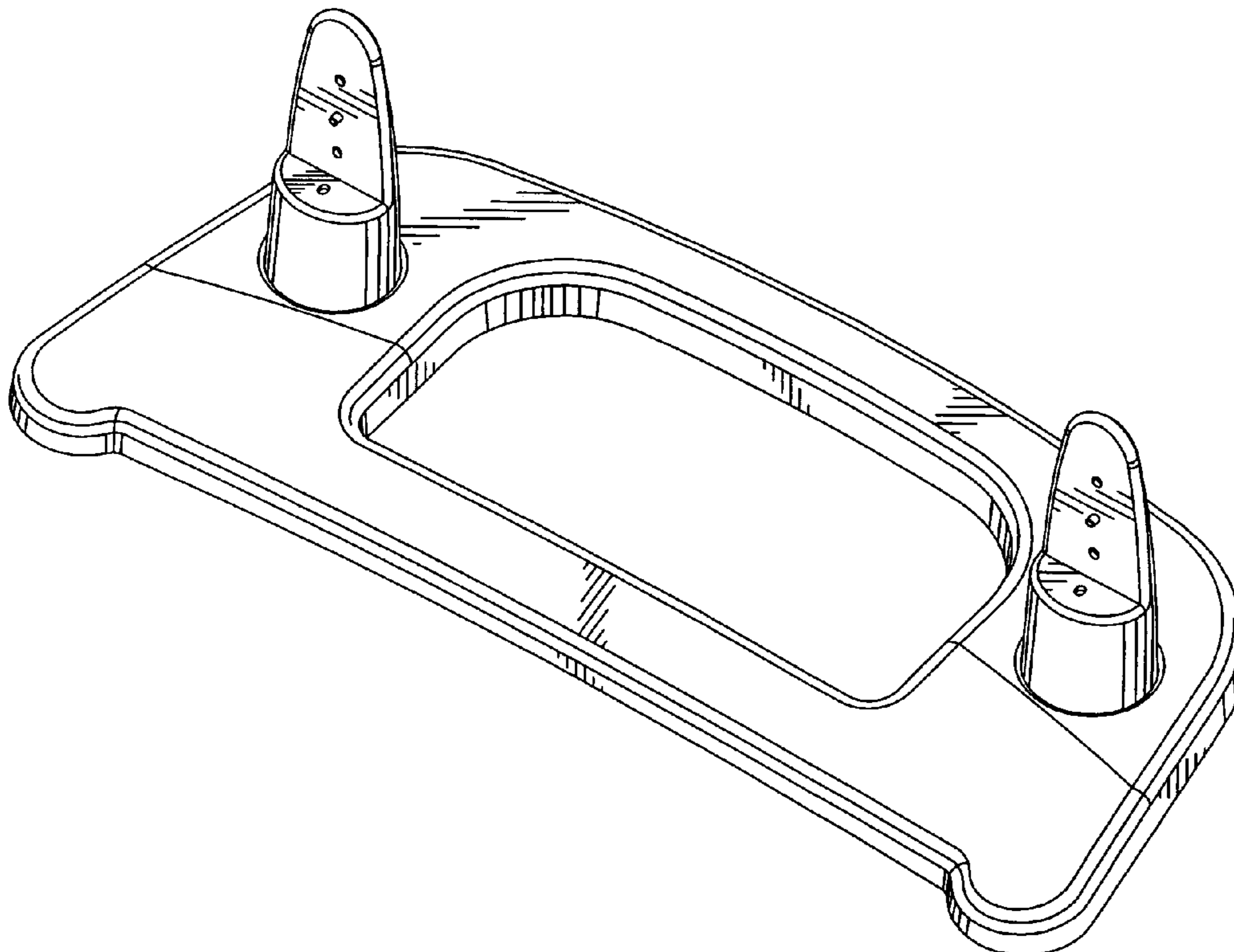
FIG. 4 is a right side elevational view thereof;

FIG. 5 is a left side elevational view thereof;

FIG. 6 is a top plan view thereof; and,

FIG. 7 is a bottom plan view thereof.

1 Claim, 4 Drawing Sheets



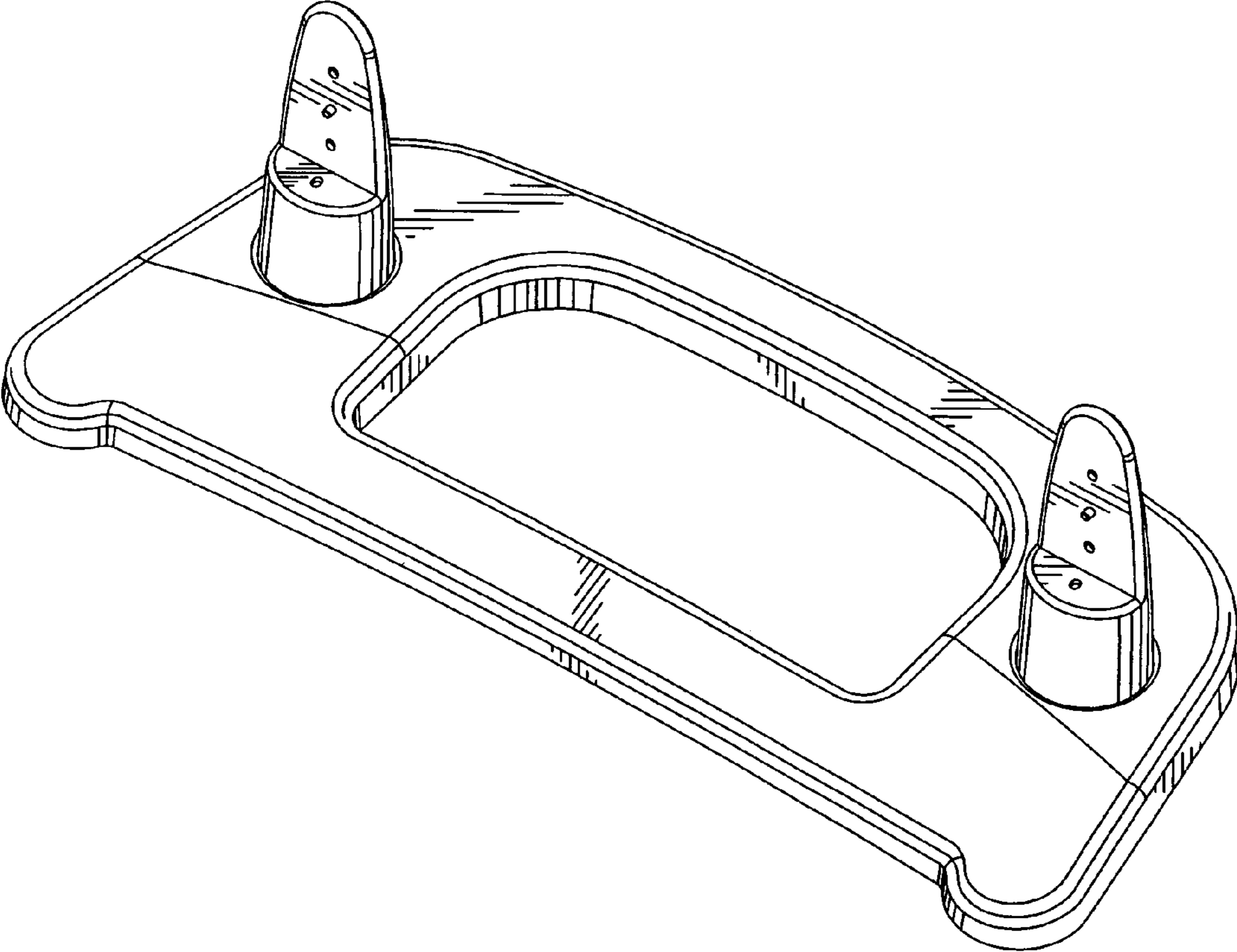


Fig. 1



Fig. 2



Fig. 3

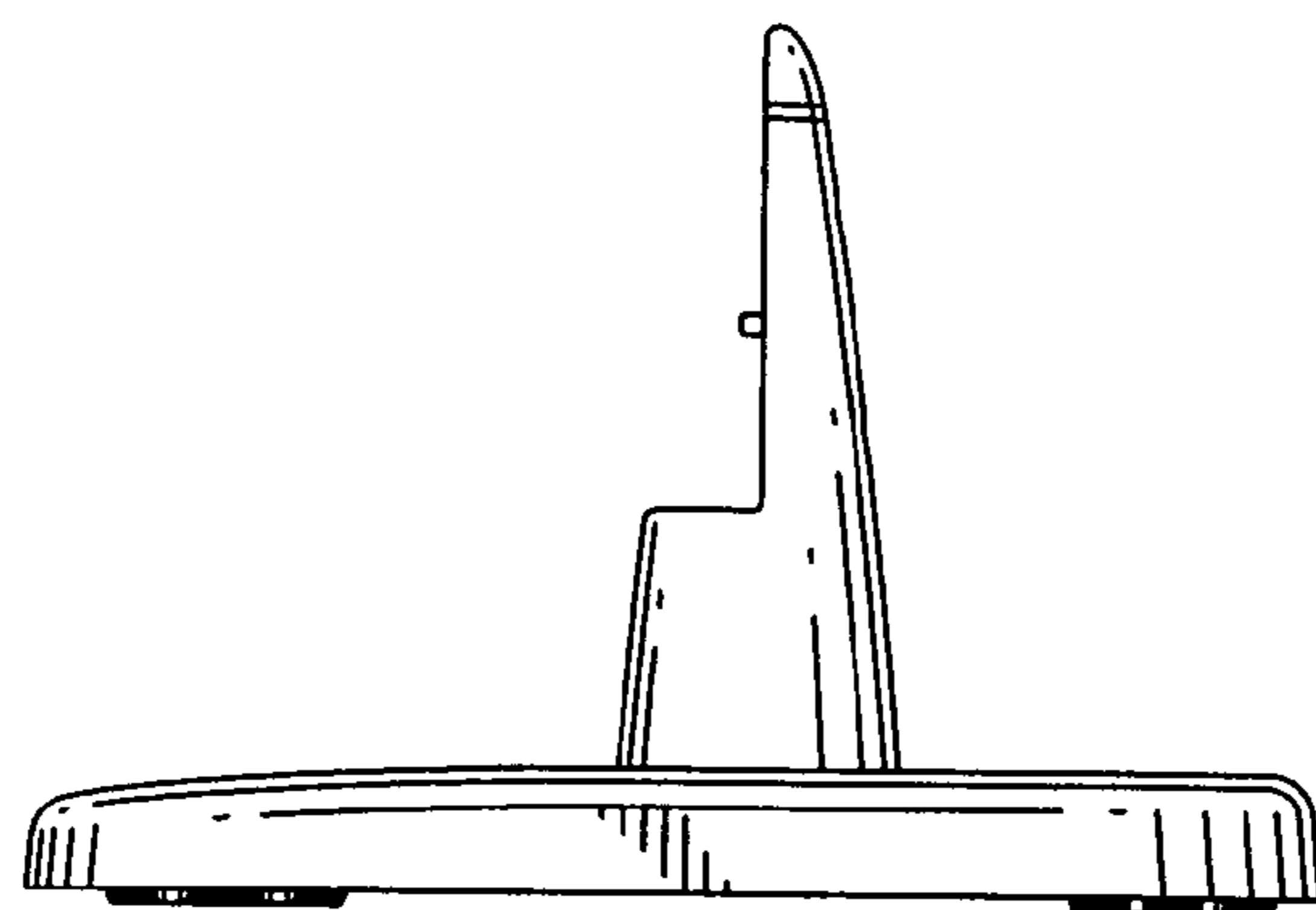


Fig. 4

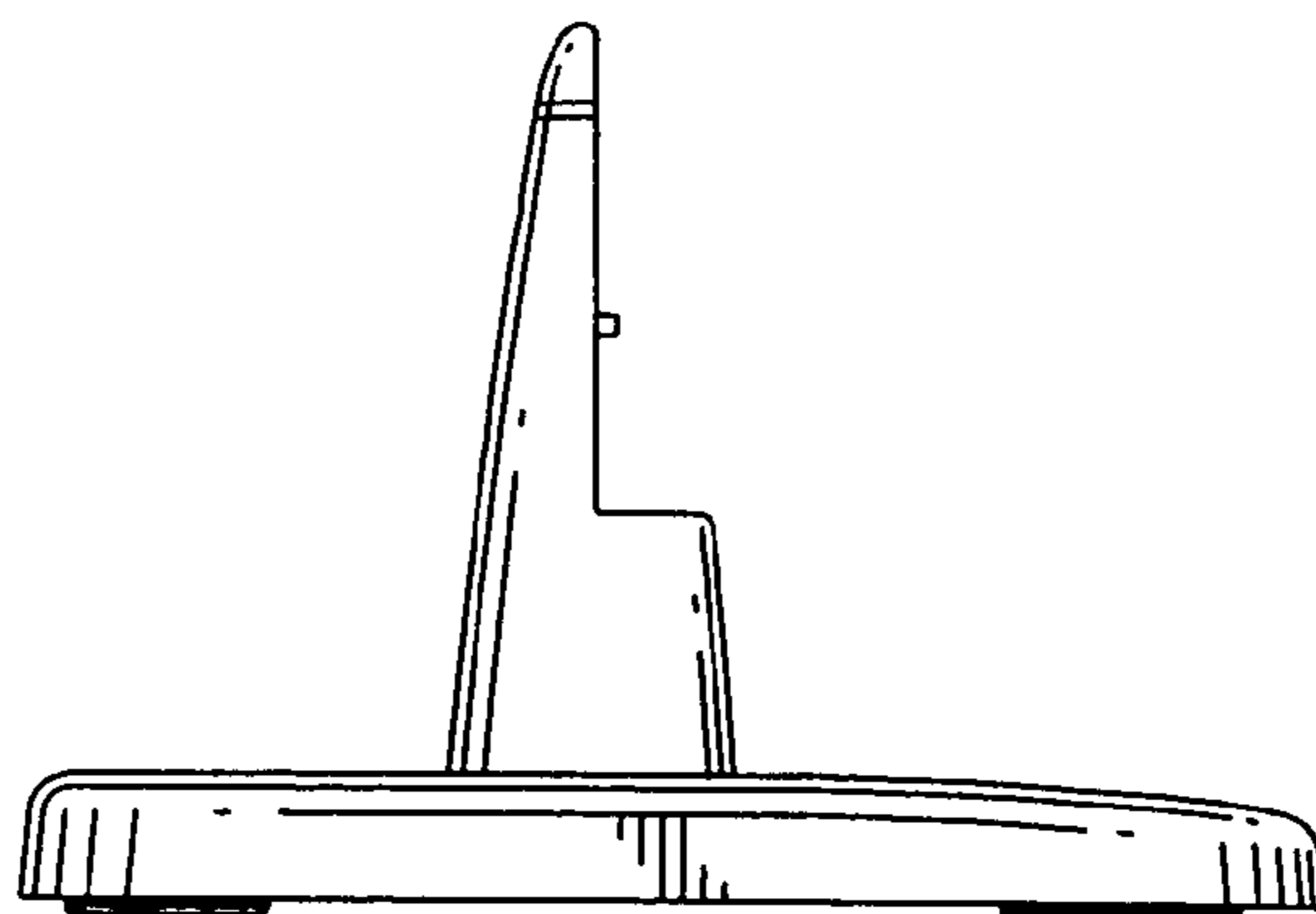


Fig. 5

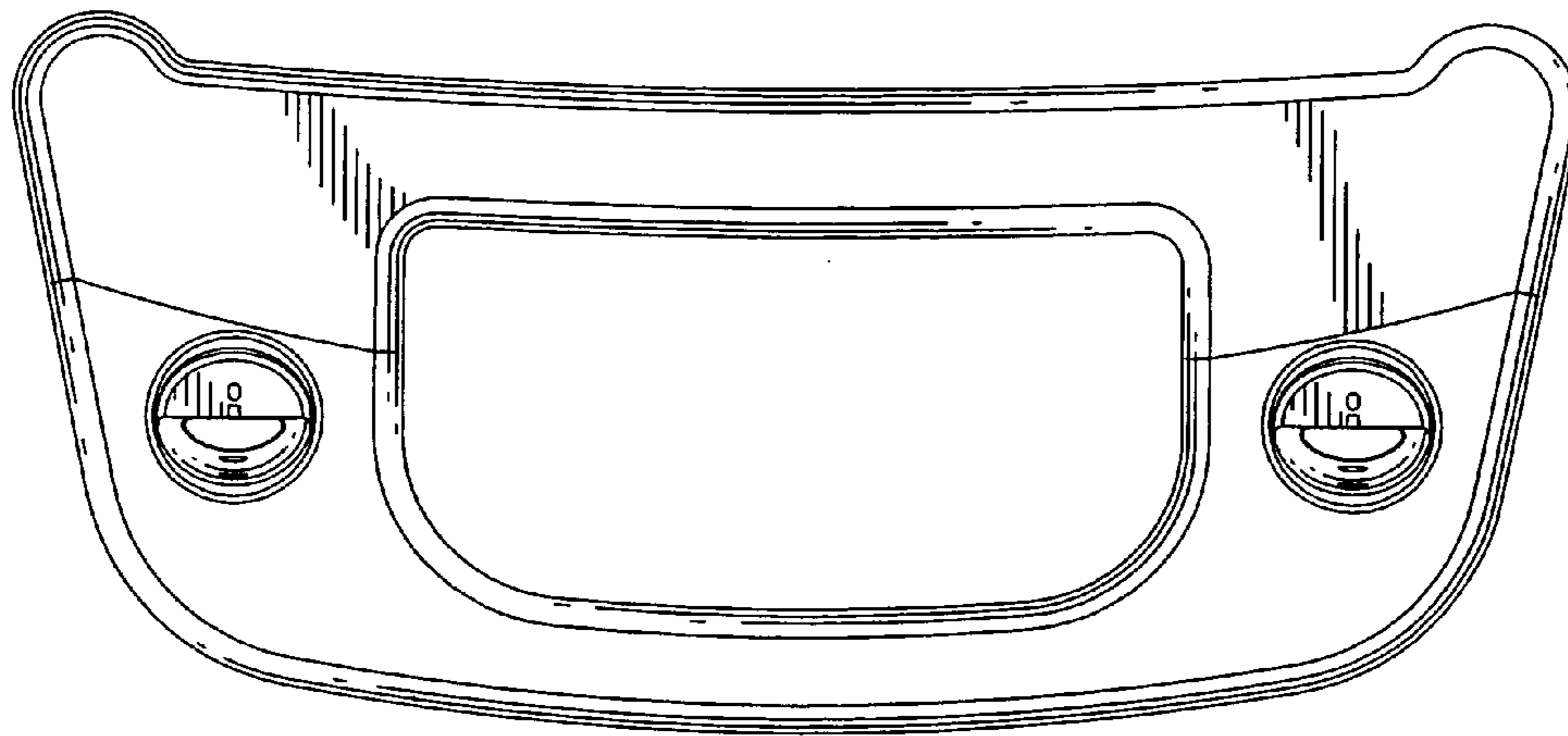


Fig. 6

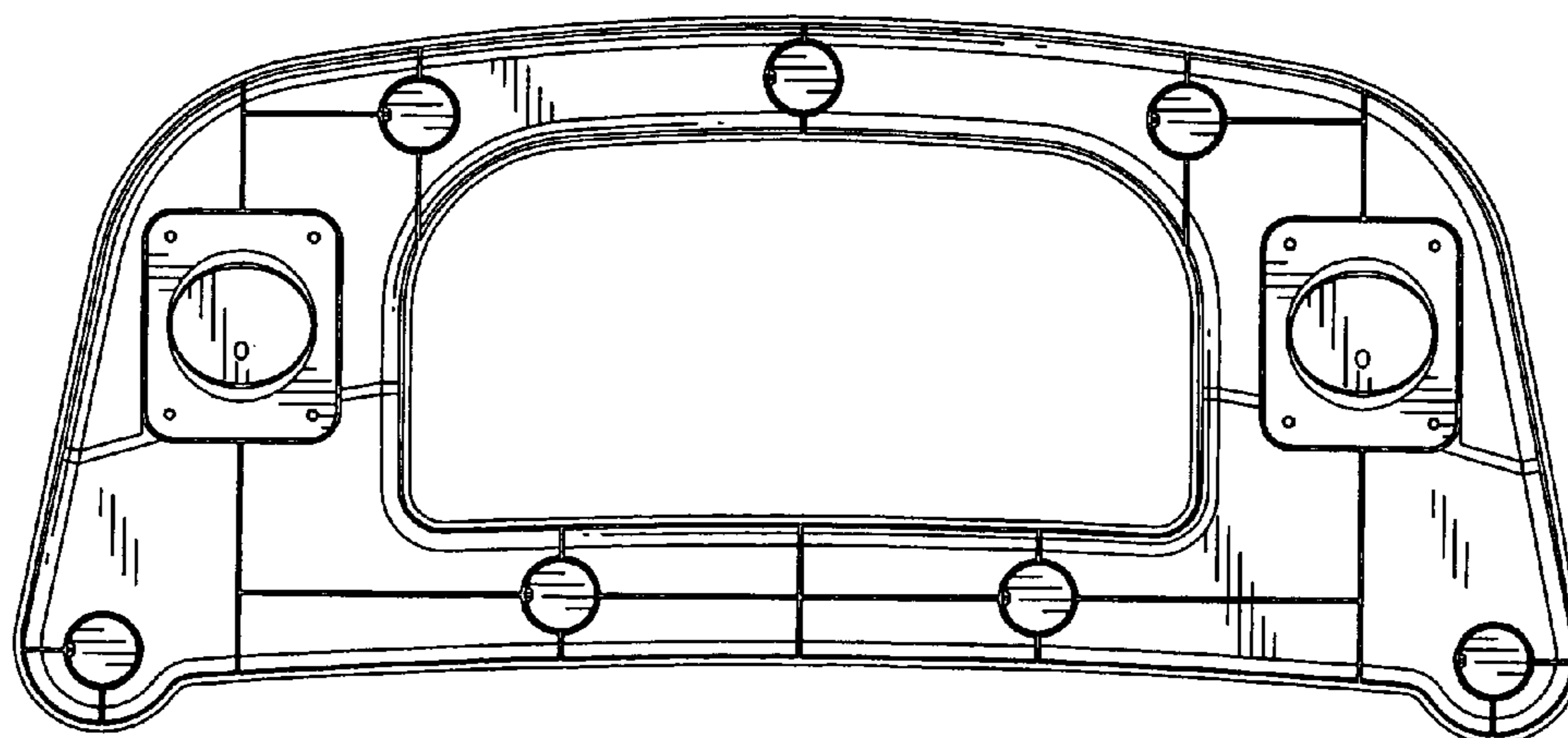


Fig. 7