

US00D548226S

(12) **United States Design Patent** (10) **Patent No.:** **US D548,226 S**
Ohba et al. (45) **Date of Patent:** **** Aug. 7, 2007**

(54) **TELEVISION RECEIVER STAND**
 (75) Inventors: **Tomohiro Ohba**, Kyoto (JP); **Satoshi Tanigawa**, Ibaraki (JP); **Mitsuru Takami**, Takarsuki (JP)

D502,452 S 3/2005 Peng
 D502,931 S 3/2005 Kita
 D533,169 S * 12/2006 Lee et al. D14/239
 D533,170 S * 12/2006 Yamamoto et al. D14/239

FOREIGN PATENT DOCUMENTS

(73) Assignee: **Matsushita Electric Industrial Co., Ltd.**, Osaka (JP)

JP D1125529 11/2001
 JP D1126860 11/2001
 JP D1175776 6/2003

(**) Term: **14 Years**

* cited by examiner

(21) Appl. No.: **29/240,926**

Primary Examiner—Raphael Barkai
Assistant Examiner—Randall Gholson

(22) Filed: **Oct. 20, 2005**

(74) *Attorney, Agent, or Firm*—Brinks Hofer Gilson & Lione

(51) **LOC (8) Cl.** **14-03**

(52) **U.S. Cl.** **D14/239**

(58) **Field of Classification Search** D14/125–134,
 D14/239, 451, 439, 371, 136, 374–382; 312/7.2;
 348/836, 180, 838, 184, 325, 739; 341/12;
 248/917–924, 465; 345/104, 133, 156, 168,
 345/173; 720/605, 600, 655, 669; 369/99,
 369/197; 455/344–347

See application file for complete search history.

(56) **References Cited**

U.S. PATENT DOCUMENTS

D412,891 S * 8/1999 Sumii D14/374
 D434,738 S 12/2000 Takemasa
 D448,030 S * 9/2001 Park D14/374
 D453,747 S 2/2002 Kita
 D456,370 S 4/2002 Kita
 D463,440 S * 9/2002 Oba D14/451
 D476,632 S 7/2003 Inoue et al.
 D479,209 S 9/2003 Teng et al.
 D483,020 S 12/2003 Nagao et al.
 D487,731 S 3/2004 Takami et al.
 D499,076 S * 11/2004 Kita D14/126
 D502,451 S 3/2005 Kita

(57) **CLAIM**

We claim the ornamental design for a television receiver stand, as shown and described.

DESCRIPTION

FIG. 1 is a top perspective view of a television receiver stand of the present invention;

FIG. 2 is a front view thereof;

FIG. 3 is a top view thereof;

FIG. 4 is a bottom view thereof;

FIG. 5 is a first side view thereof;

FIG. 6 is a second side view thereof; and,

FIG. 7 is a rear view thereof.

The ornamental design which is claimed is shown in solid lines in the drawings. Any broken lines in the drawings are for illustrative purposes only and form no part of the claimed design.

1 Claim, 4 Drawing Sheets

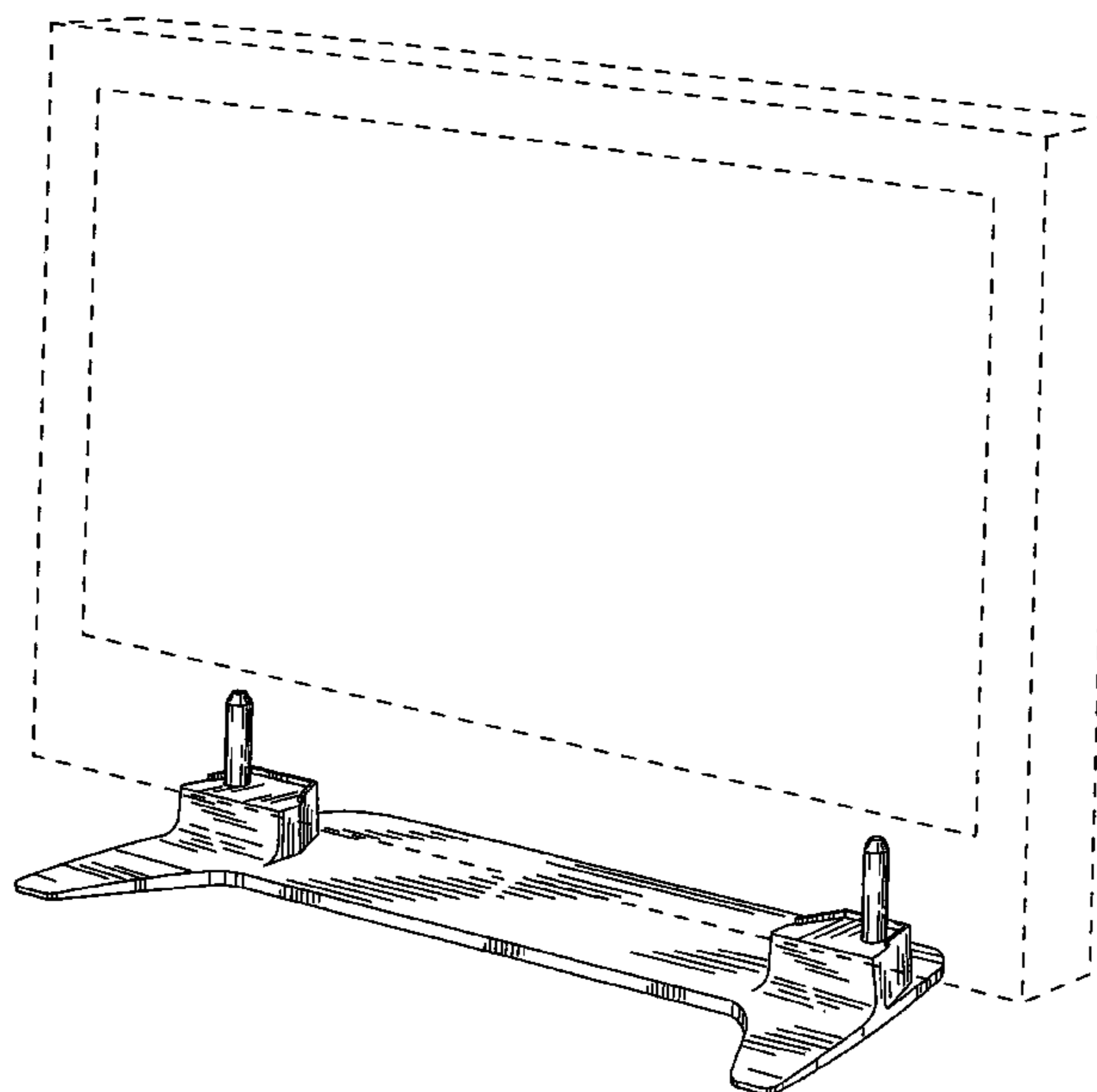


FIG. 1

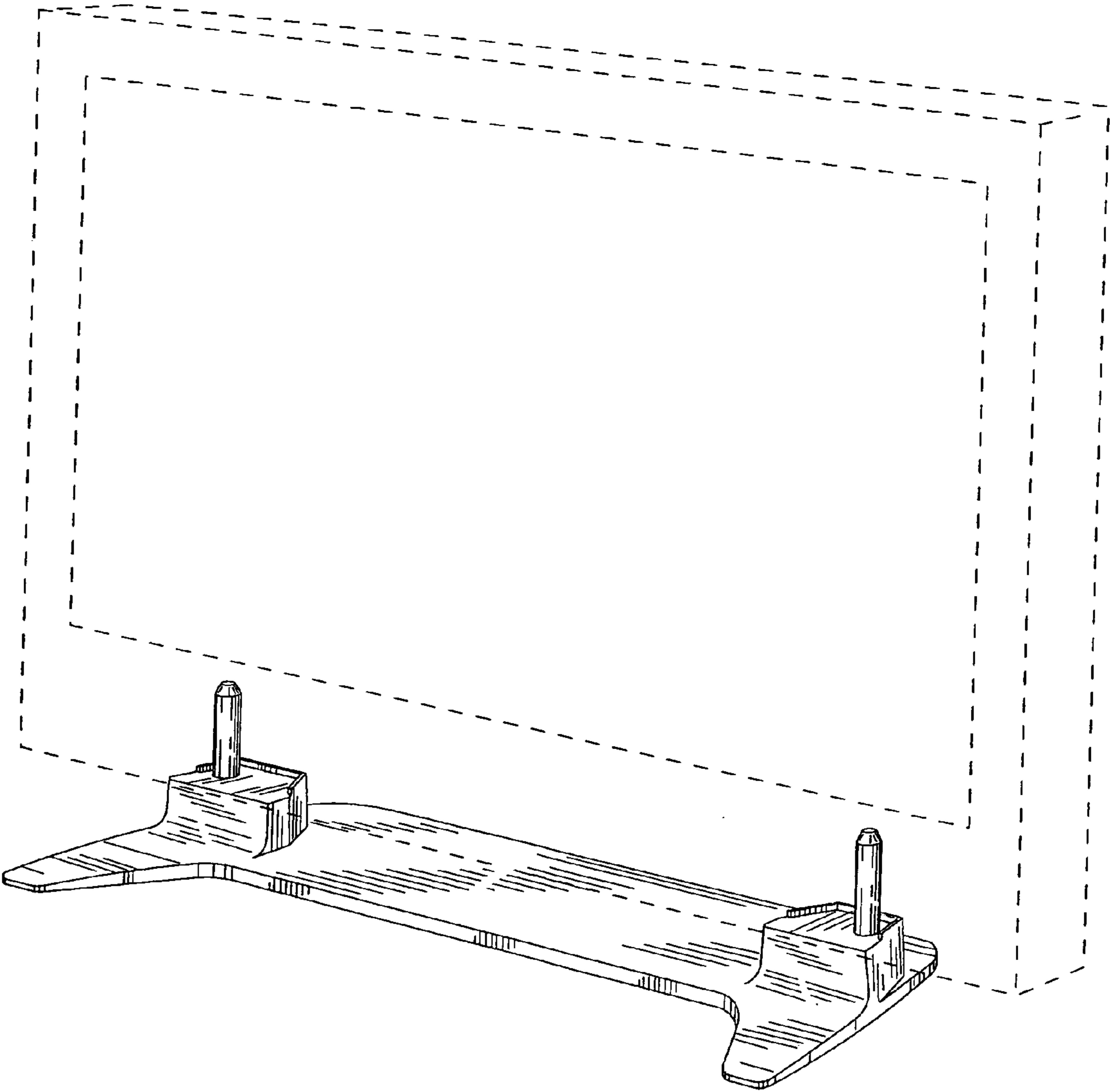


FIG.2

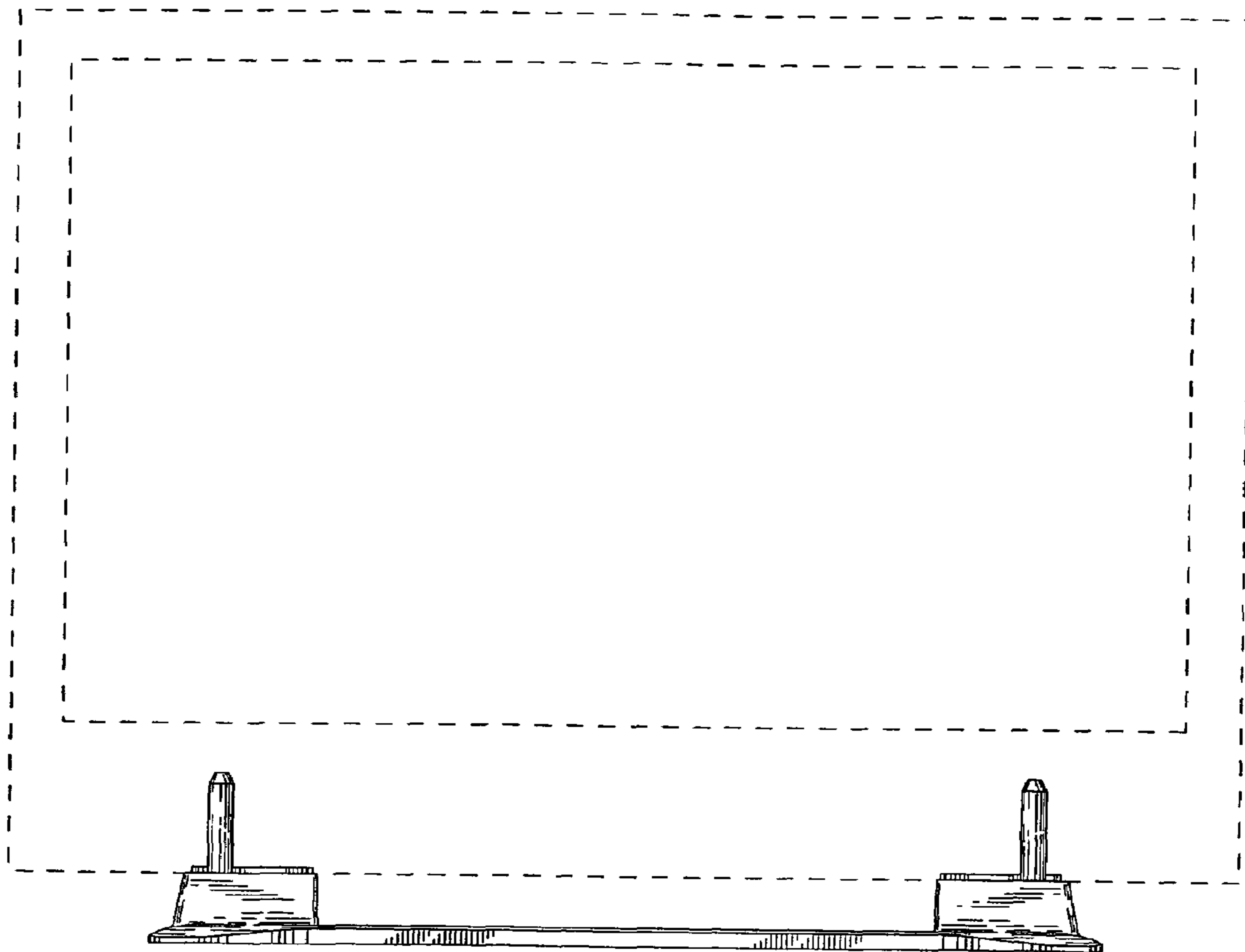


FIG.3

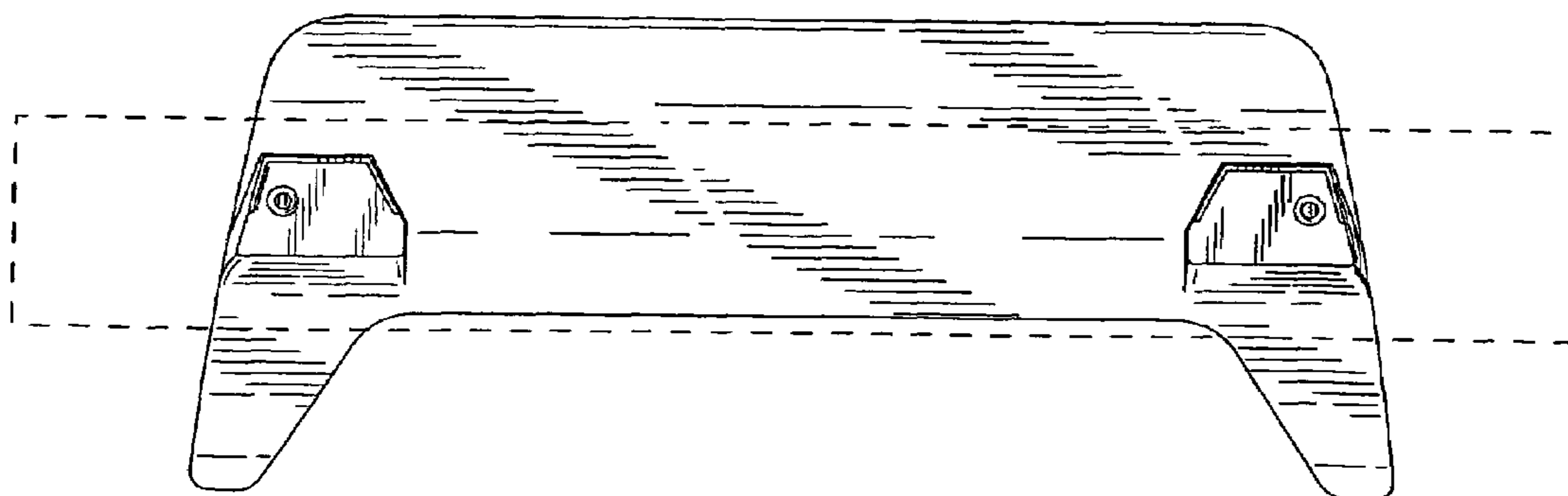


FIG.4

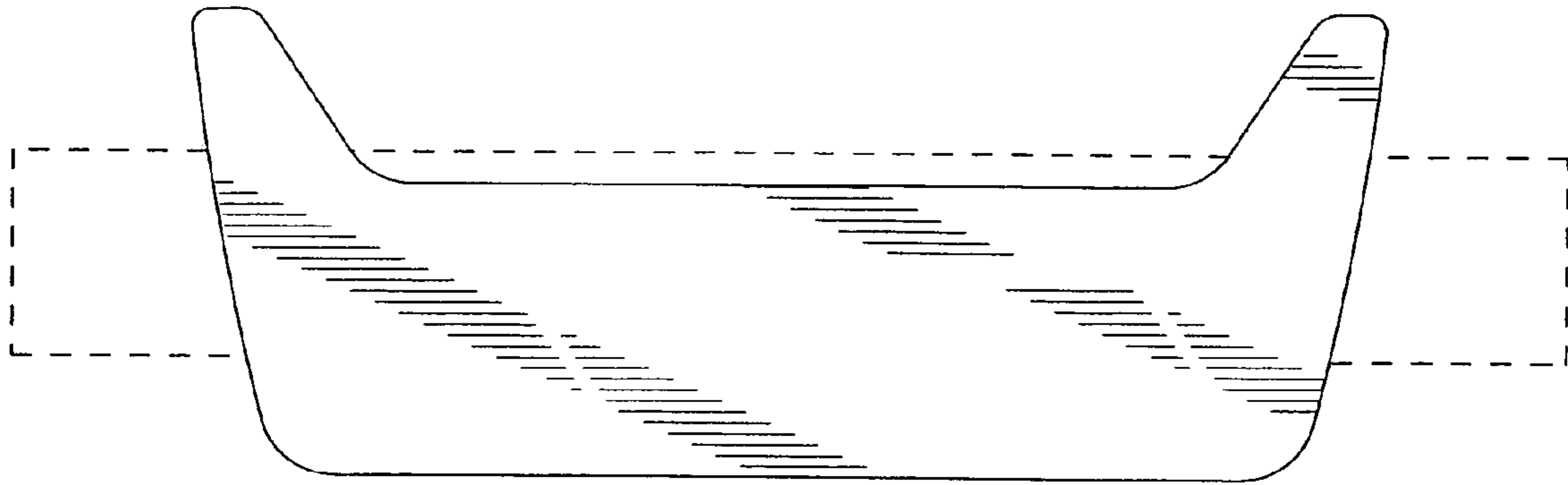


FIG.5

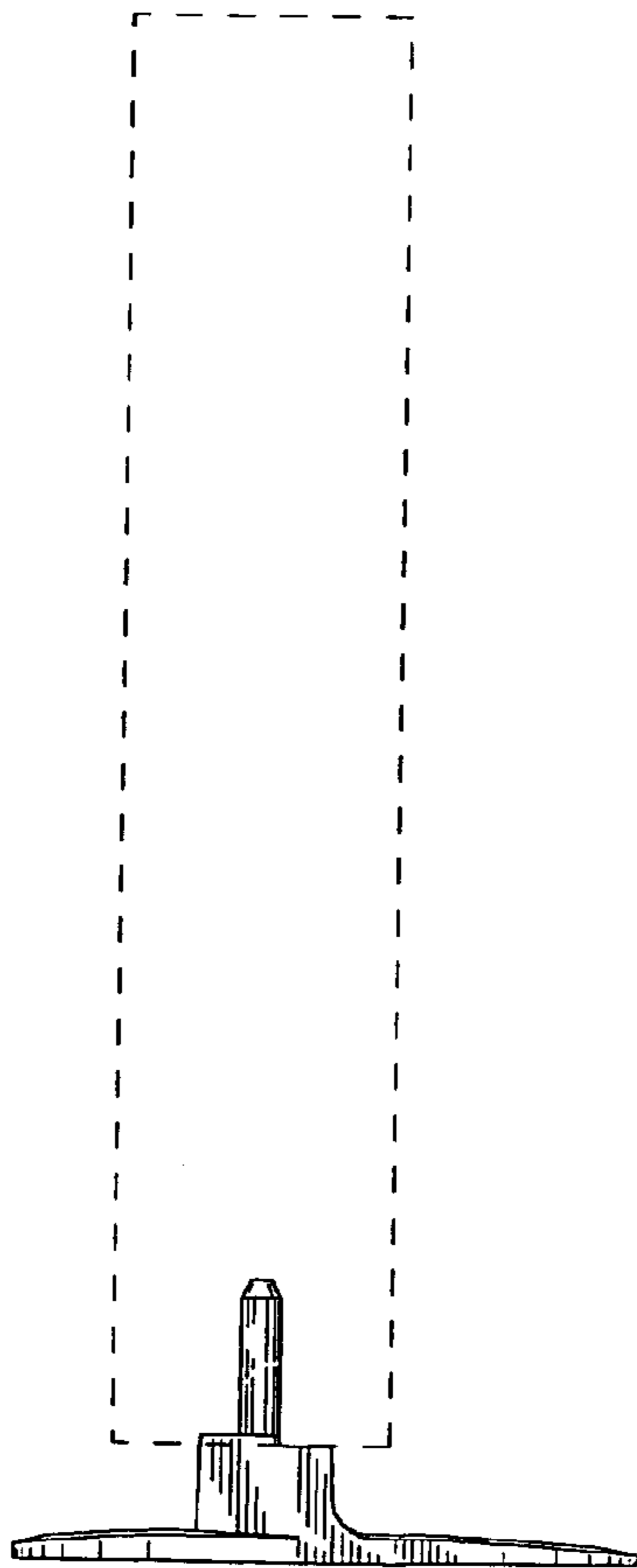


FIG.6

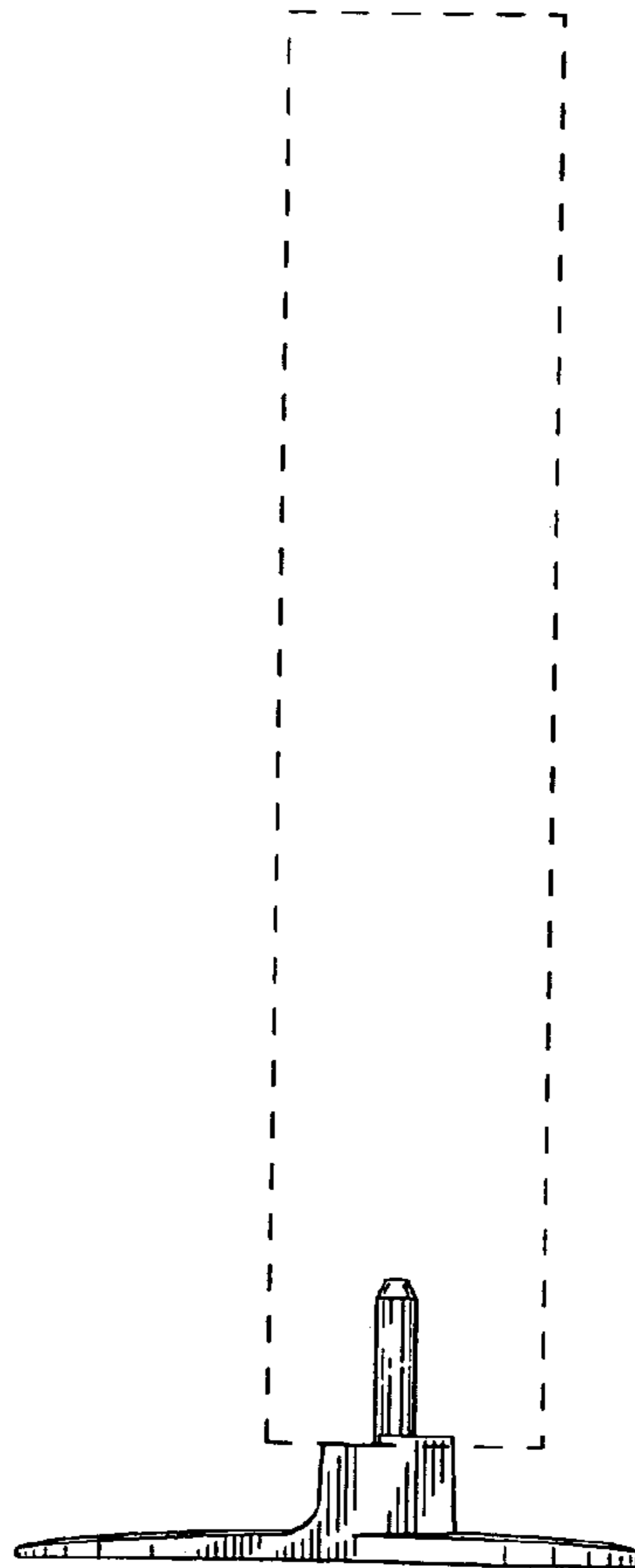


FIG.7

