



US00D548224S

(12) **United States Design Patent**
Taylor

(10) **Patent No.:** **US D548,224 S**

(45) **Date of Patent:** **** Aug. 7, 2007**

(54) **PORTABLE SPEAKER**

D349,499 S * 8/1994 Collins D14/216

D467,238 S * 12/2002 Hlas et al. D14/216

(75) Inventor: **Laura Jean Taylor**, Hong Kong (HK)

(73) Assignee: **Philips Koninklijke Electronics N.V.**,
Eindhoven (NL)

(**) Term: **14 Years**

* cited by examiner

Primary Examiner—Nanda Bondade

(21) Appl. No.: **29/247,437**

(57) **CLAIM**

(22) Filed: **Jun. 19, 2006**

The ornamental design for a portable speaker, as shown.

(30) **Foreign Application Priority Data**

Dec. 21, 2005 (EM) 000450887-0001

DESCRIPTION

(51) **LOC (8) Cl.** **14-01**

(52) **U.S. Cl.** **D14/216**

(58) **Field of Classification Search** D14/204,
D14/209–216; 181/143–144, 147–148, 150,
181/157, 198–199, 151, 153; 381/300–302,
381/306, 333, 345, 361–364, 386–388, 332,
381/336

FIG. 1 is a perspective view showing my design;

FIG. 2 is a front elevational view thereof;

FIG. 3 is a rear elevational view thereof;

FIG. 4 is a right side elevational view thereof;

FIG. 5 is a left side elevational view thereof;

FIG. 6 is a top plan view thereof; and,

FIG. 7 is a bottom plan view thereof.

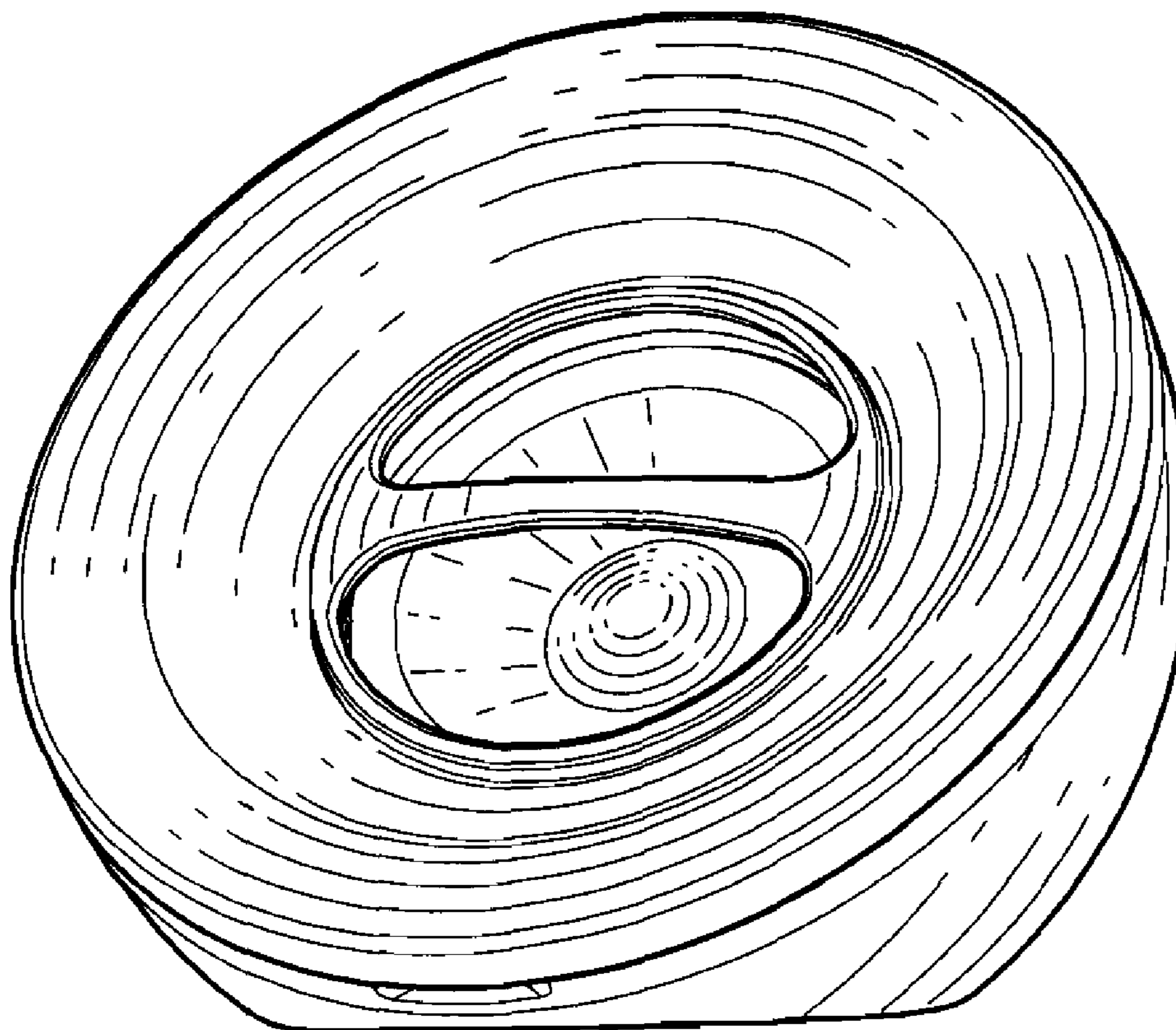
See application file for complete search history.

(56) **References Cited**

U.S. PATENT DOCUMENTS

5,319,164 A * 6/1994 Shen 181/150

1 Claim, 4 Drawing Sheets



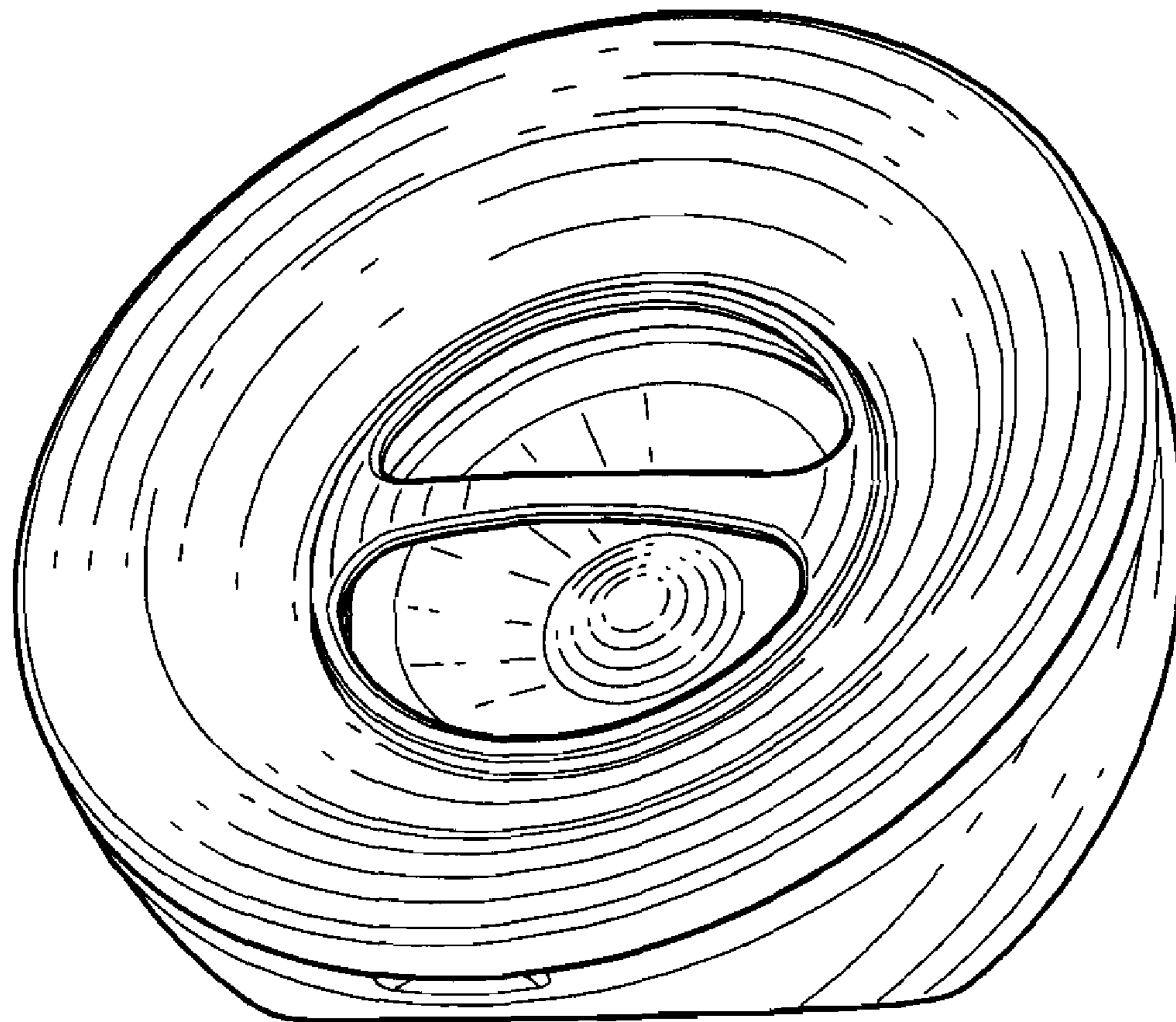


FIG.1

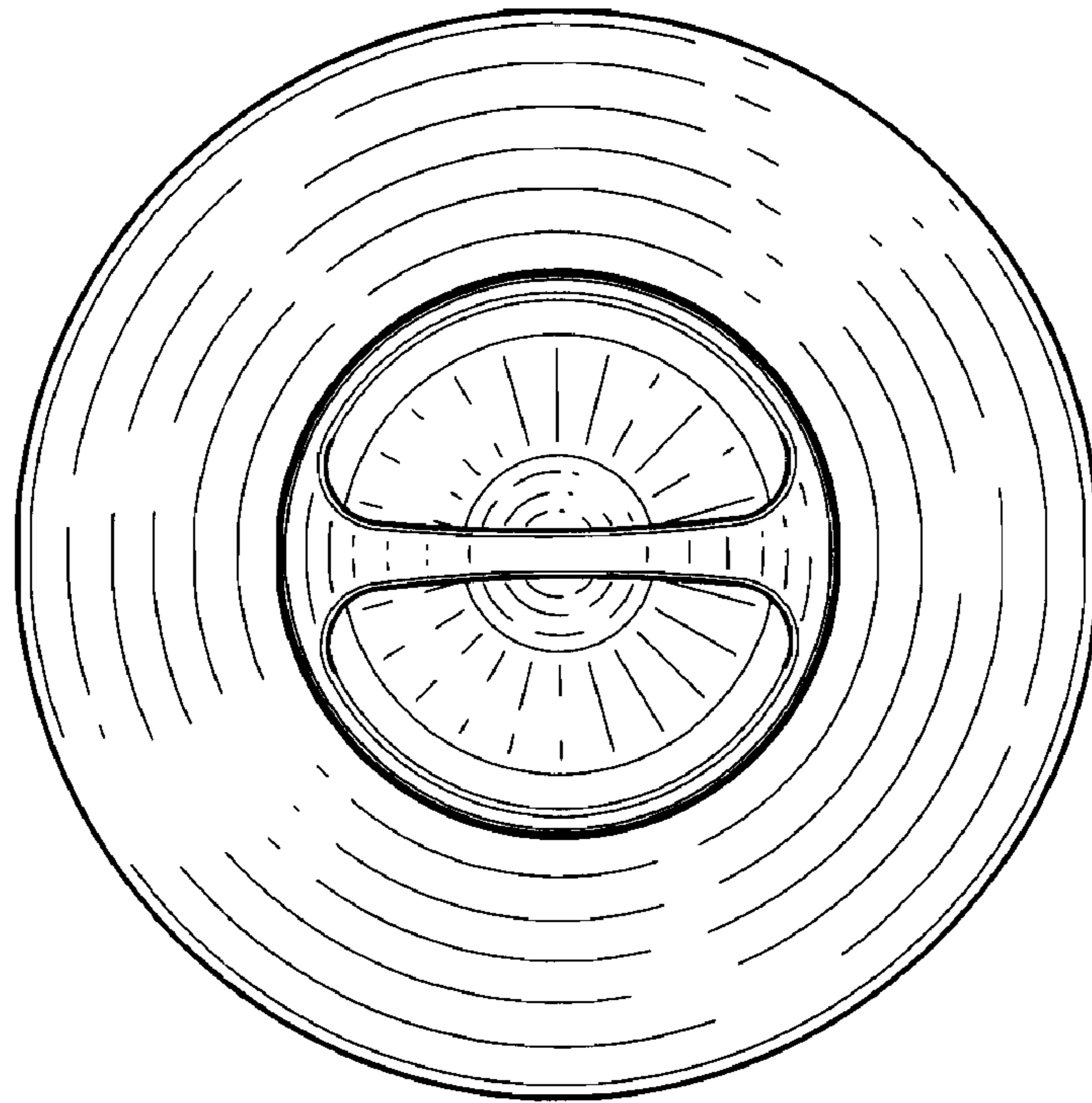


FIG. 2

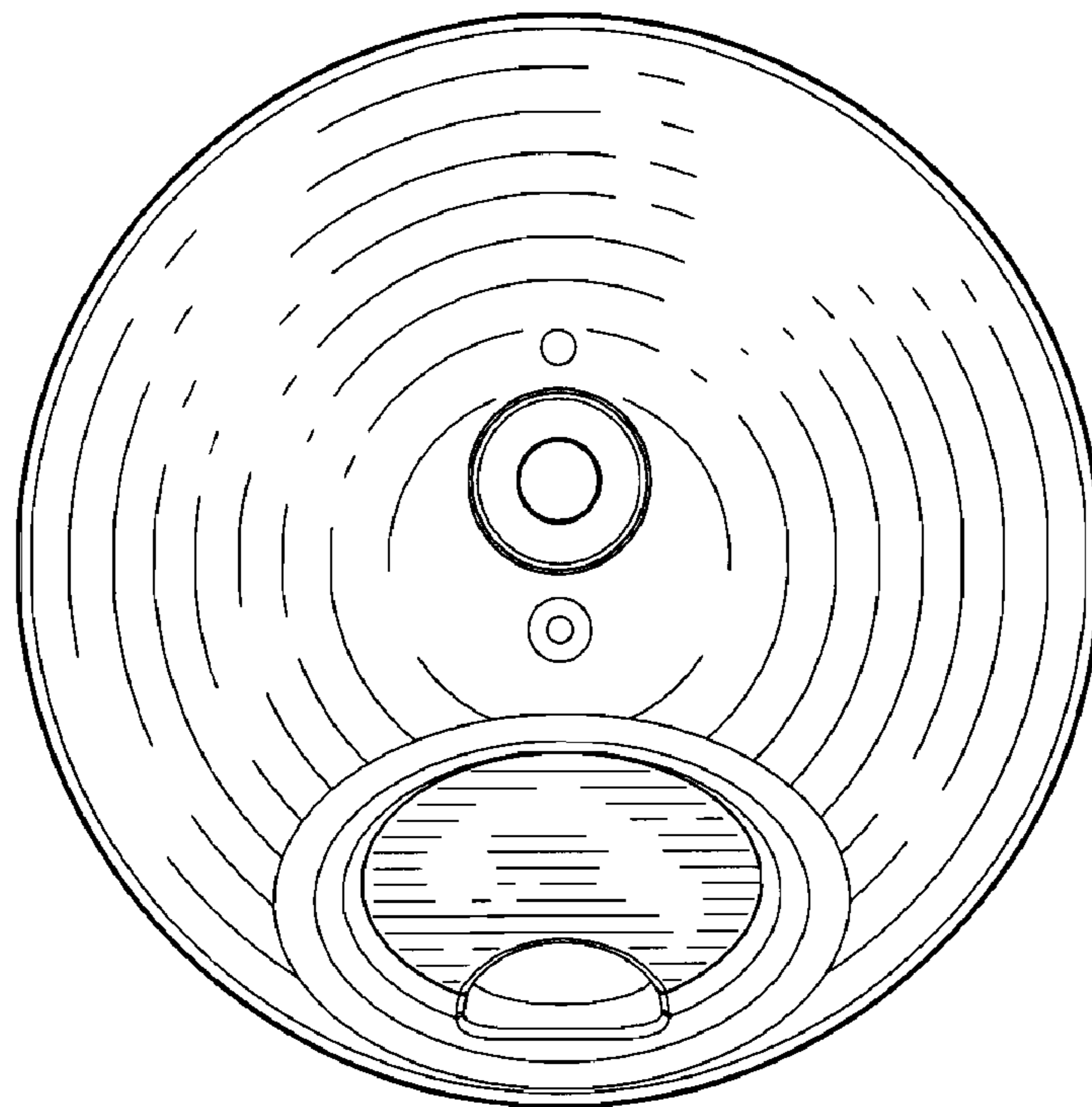


FIG. 3

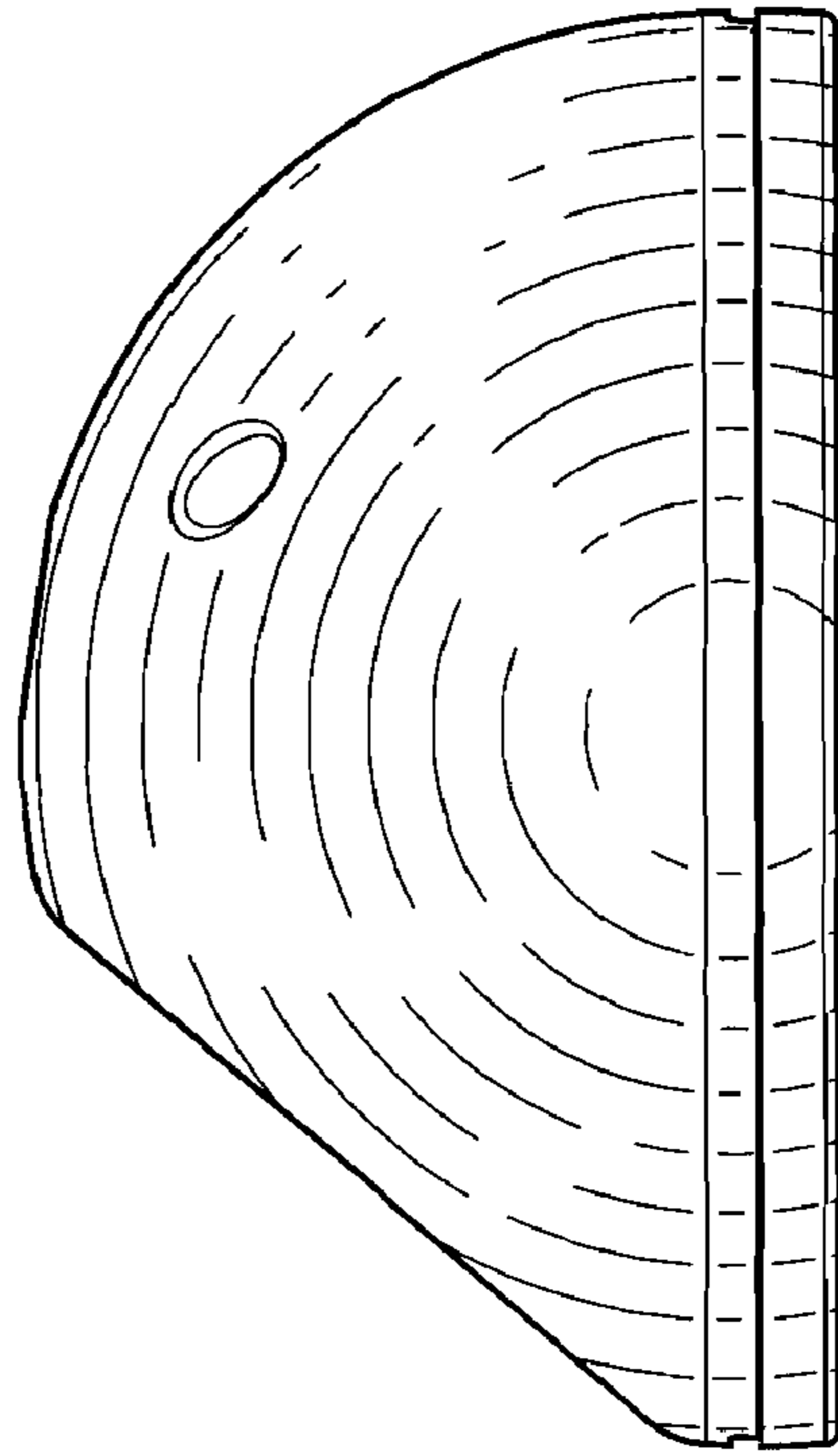


FIG. 4

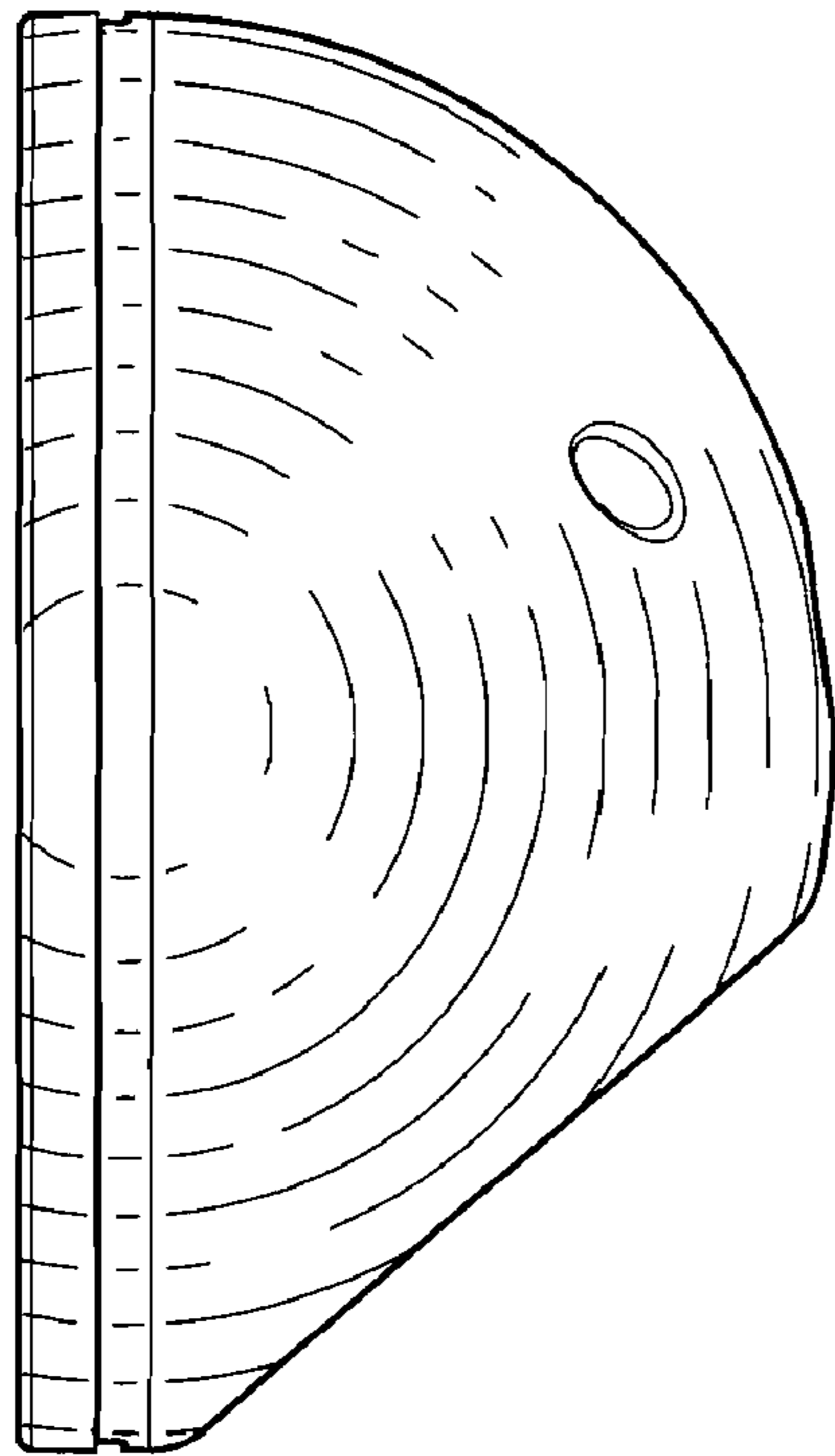


FIG. 5

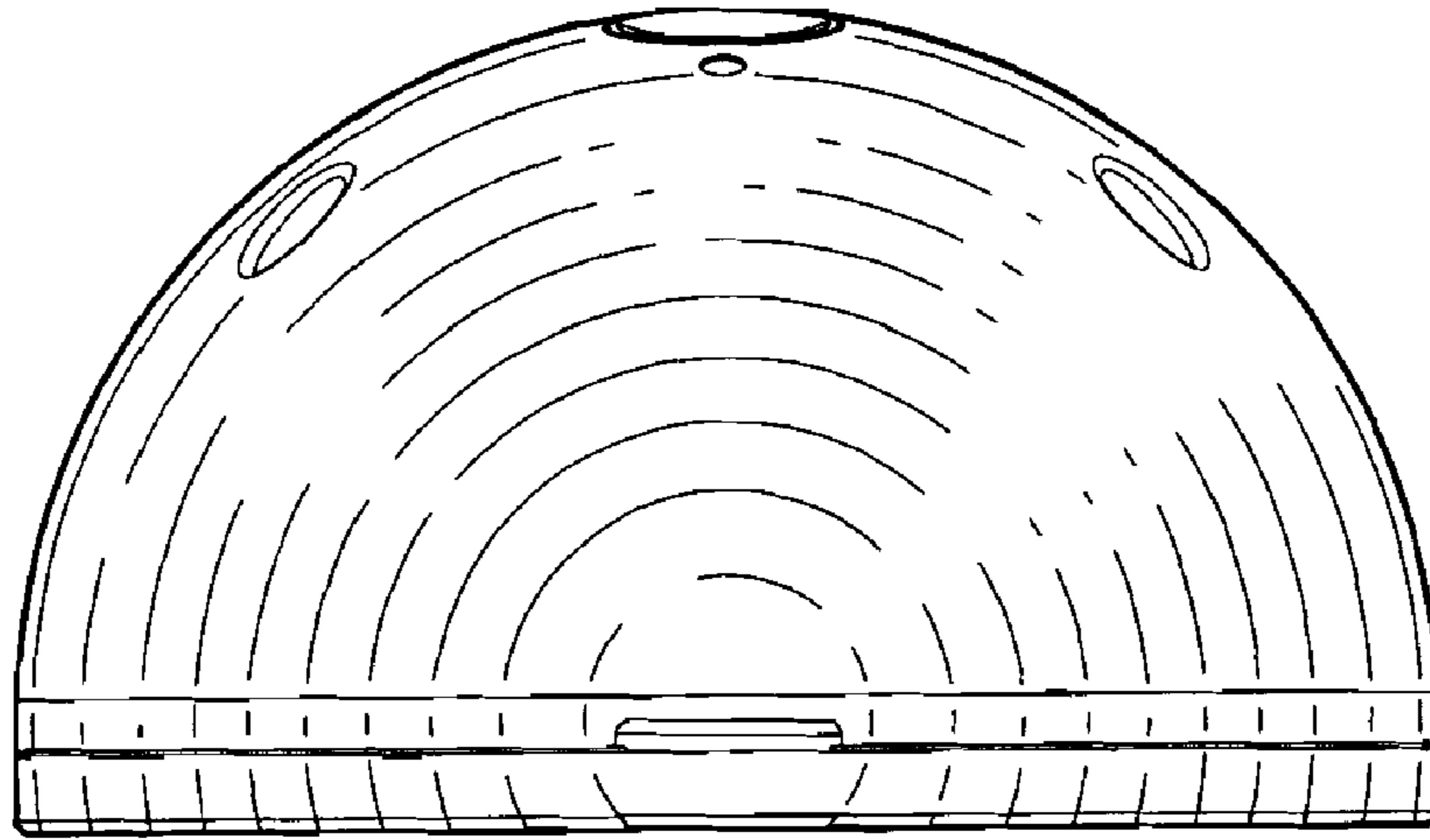


FIG. 6

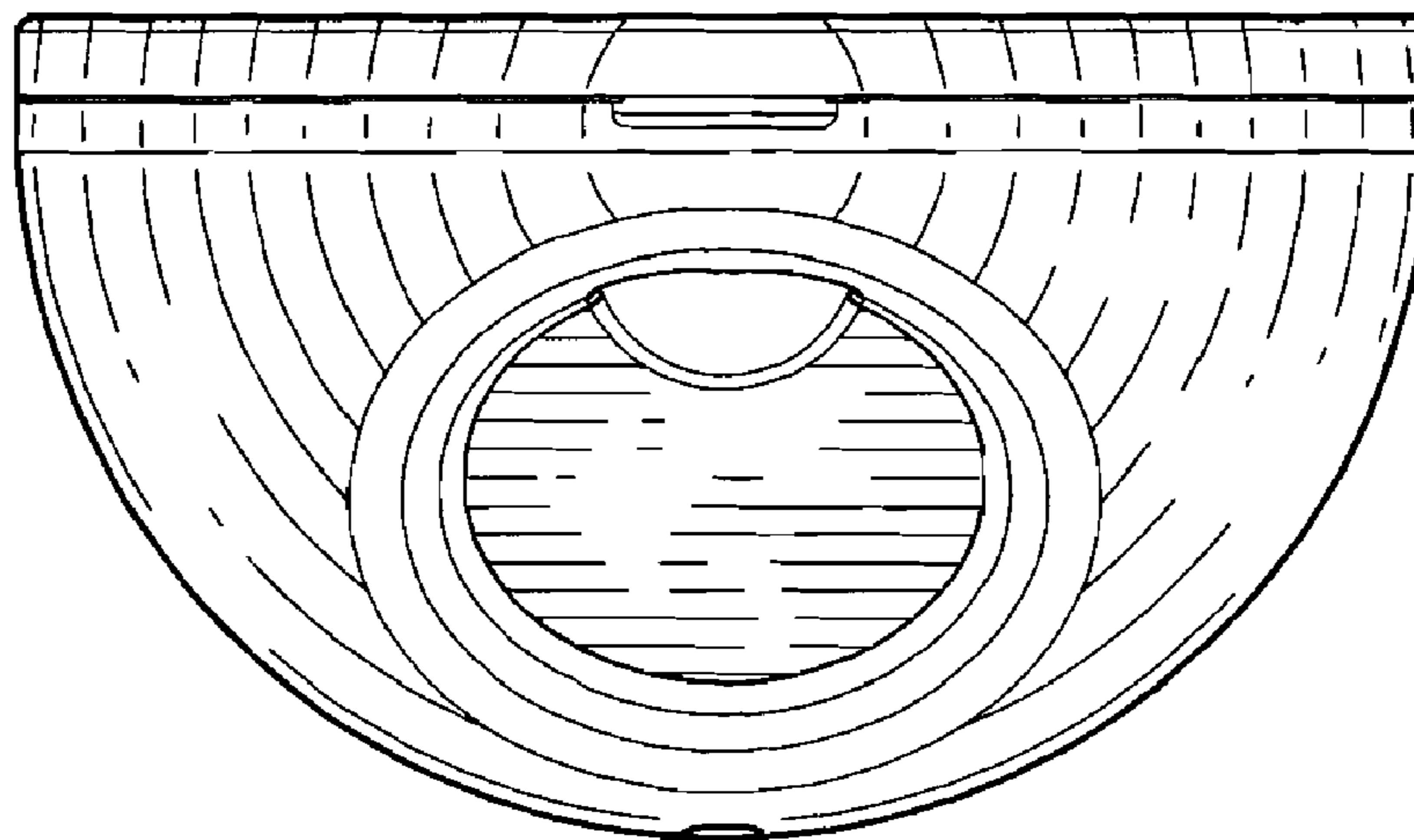


FIG. 7