

US00D548223S

(12) **United States Design Patent**
Hall

(10) **Patent No.:** **US D548,223 S**

(45) **Date of Patent:** **** Aug. 7, 2007**

(54) **LOUDSPEAKER**

(75) Inventor: **Robert Ian Hall**, Longwell Green (GB)

(73) Assignee: **Saitek P.L.C.** (GB)

(**) Term: **14 Years**

(21) Appl. No.: **29/245,886**

(22) Filed: **Dec. 30, 2005**

(30) **Foreign Application Priority Data**

Jul. 8, 2005 (EM) 000373121-0002

(51) **LOC (8) Cl.** **14-01**

(52) **U.S. Cl.** **D14/216; D14/168**

(58) **Field of Classification Search** D14/204,
D14/207, 209-216, 167, 168; 181/143-144,
181/147-148, 150, 157, 198-199, 151, 153;
381/300-302, 306, 333, 345, 361-364, 386-388,
381/332, 336

See application file for complete search history.

(56) **References Cited**

U.S. PATENT DOCUMENTS

D452,963 S * 1/2002 Suzuki D14/168

D483,736 S * 12/2003 Tanaka D14/168

D500,021 S * 12/2004 Hu D14/168

D525,941 S * 8/2006 Kudo D13/147

* cited by examiner

Primary Examiner—Nanda Bondade

(74) *Attorney, Agent, or Firm*—Brinks Hofer Gilson & Lione

(57) **CLAIM**

The ornamental design for a loudspeaker, as shown and described.

DESCRIPTION

FIG. 1 is a perspective view of the loudspeaker of the claimed design;

FIG. 2 is a right side elevational view thereof;

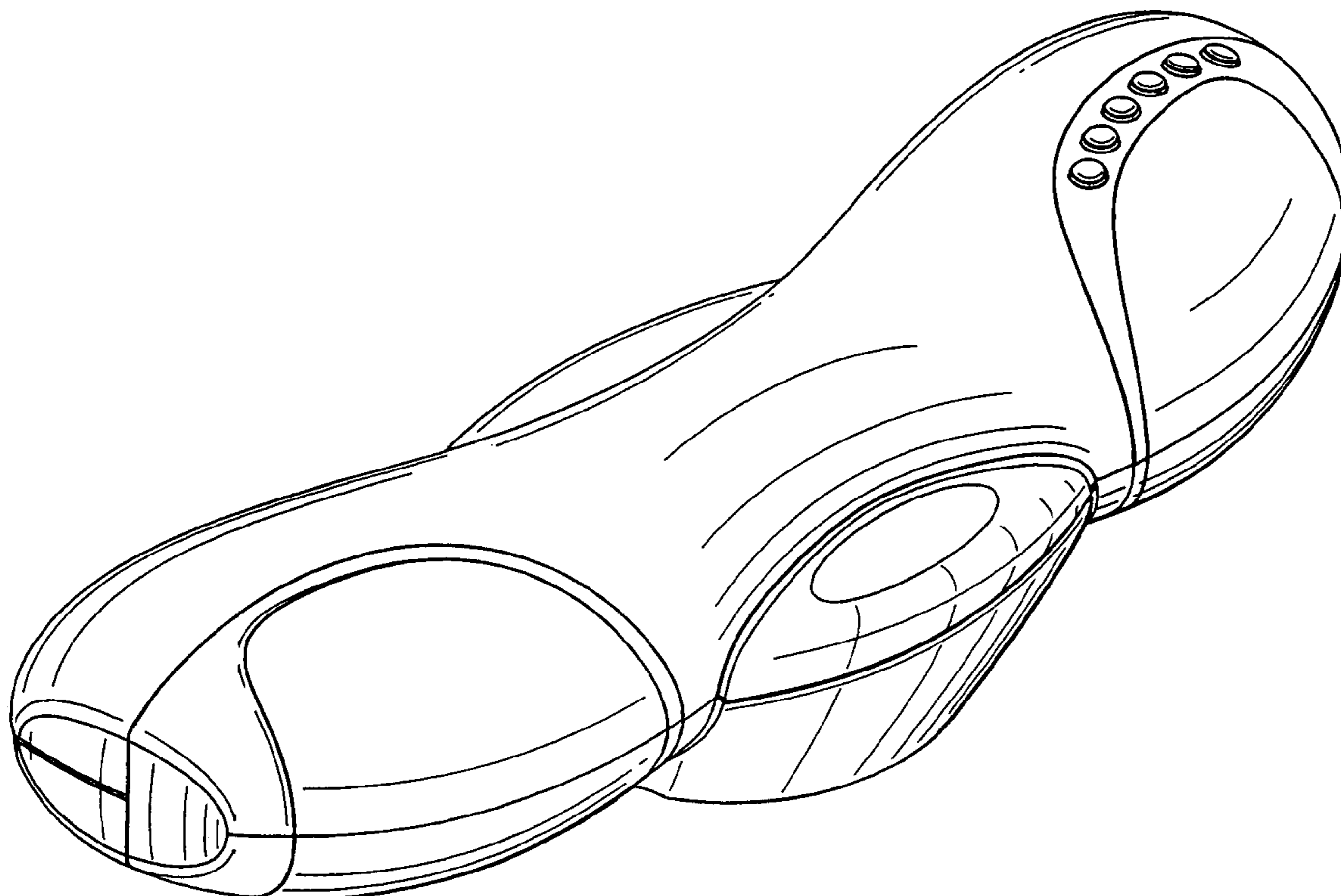
FIG. 3 is a bottom perspective view thereof;

FIG. 4 is a rear perspective view thereof;

FIG. 5 is a rear elevational view thereof; and,

FIG. 6 is a top view thereof.

1 Claim, 6 Drawing Sheets



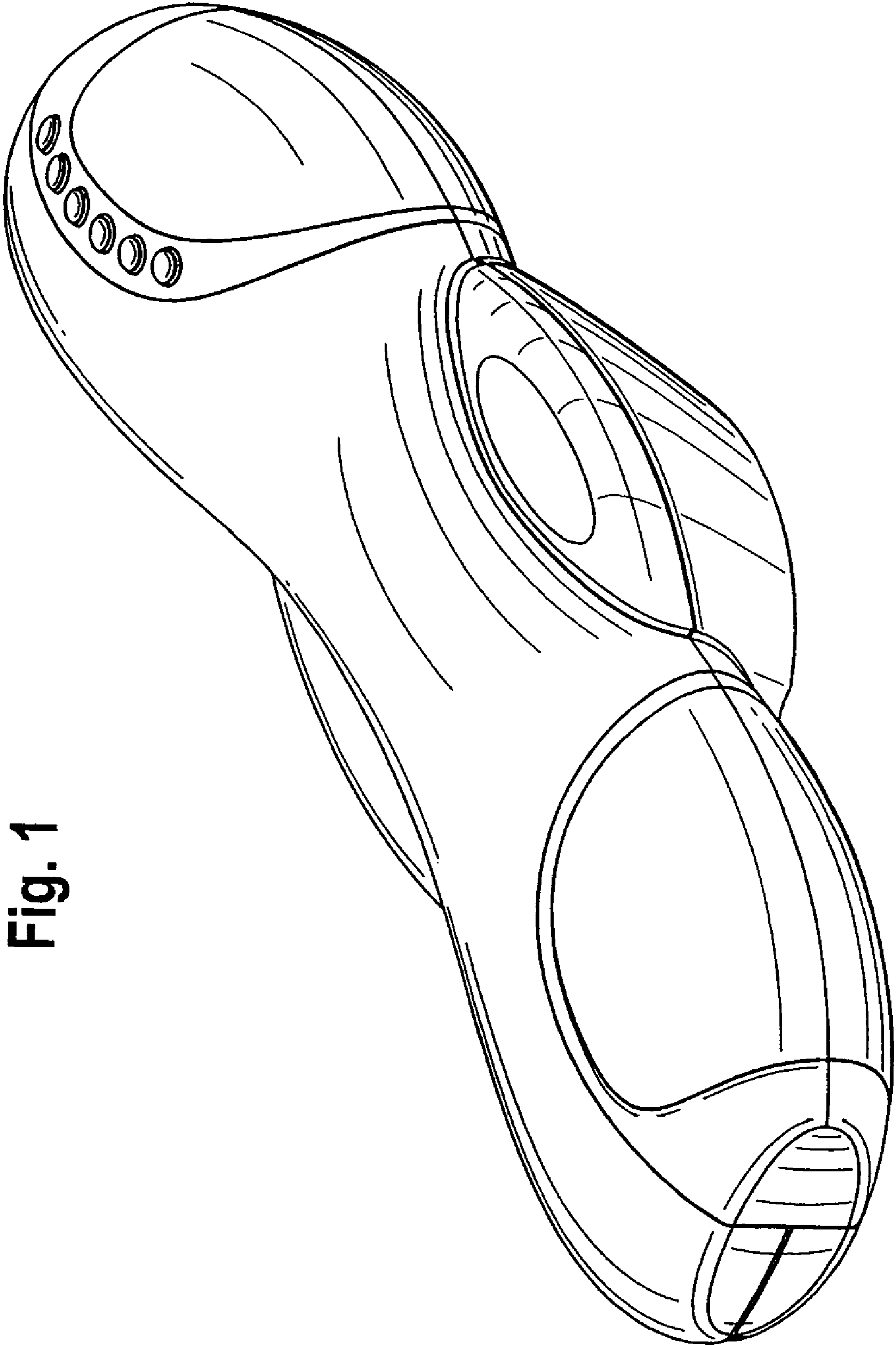


Fig. 1

Fig. 2

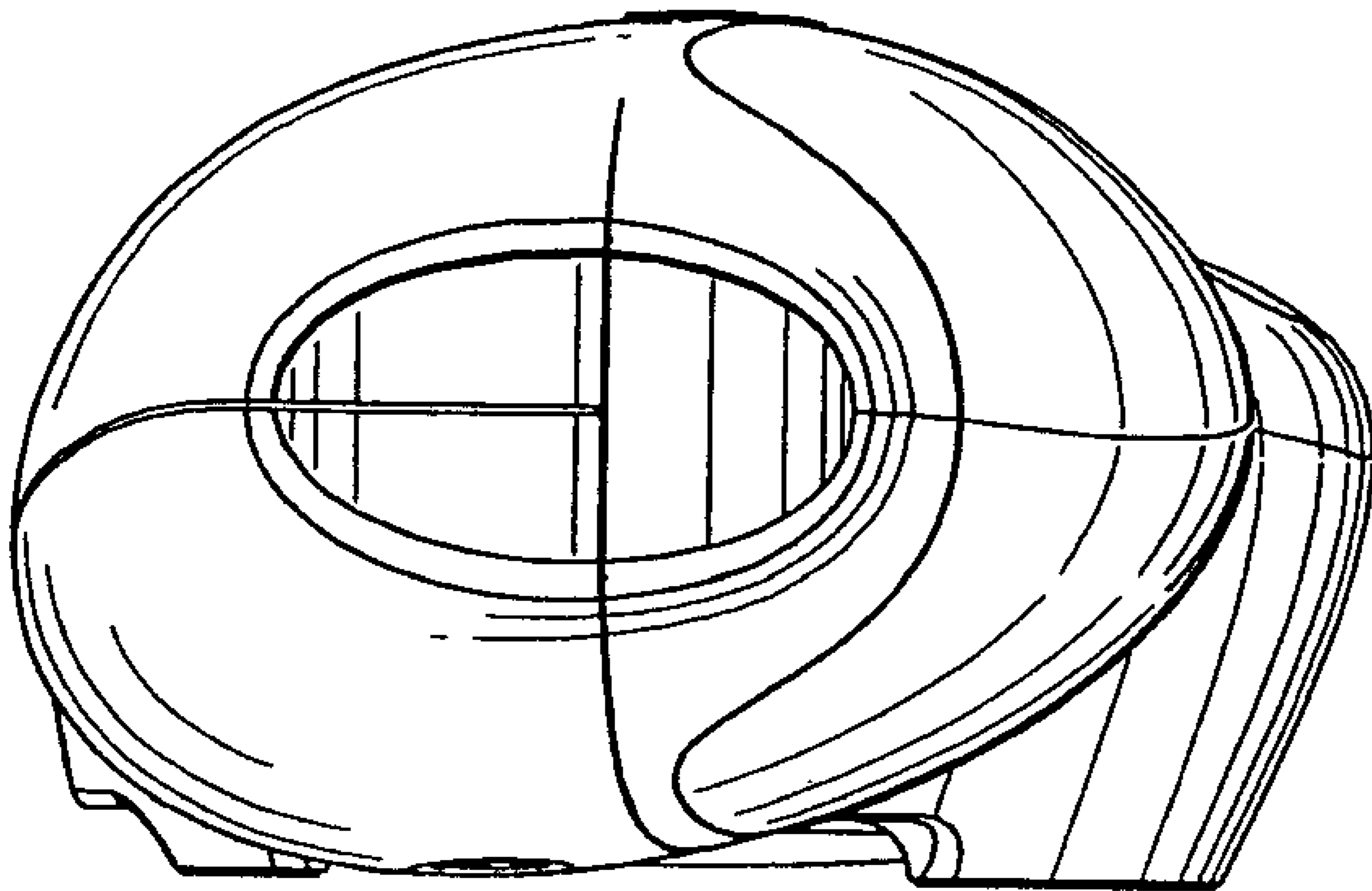


Fig. 3

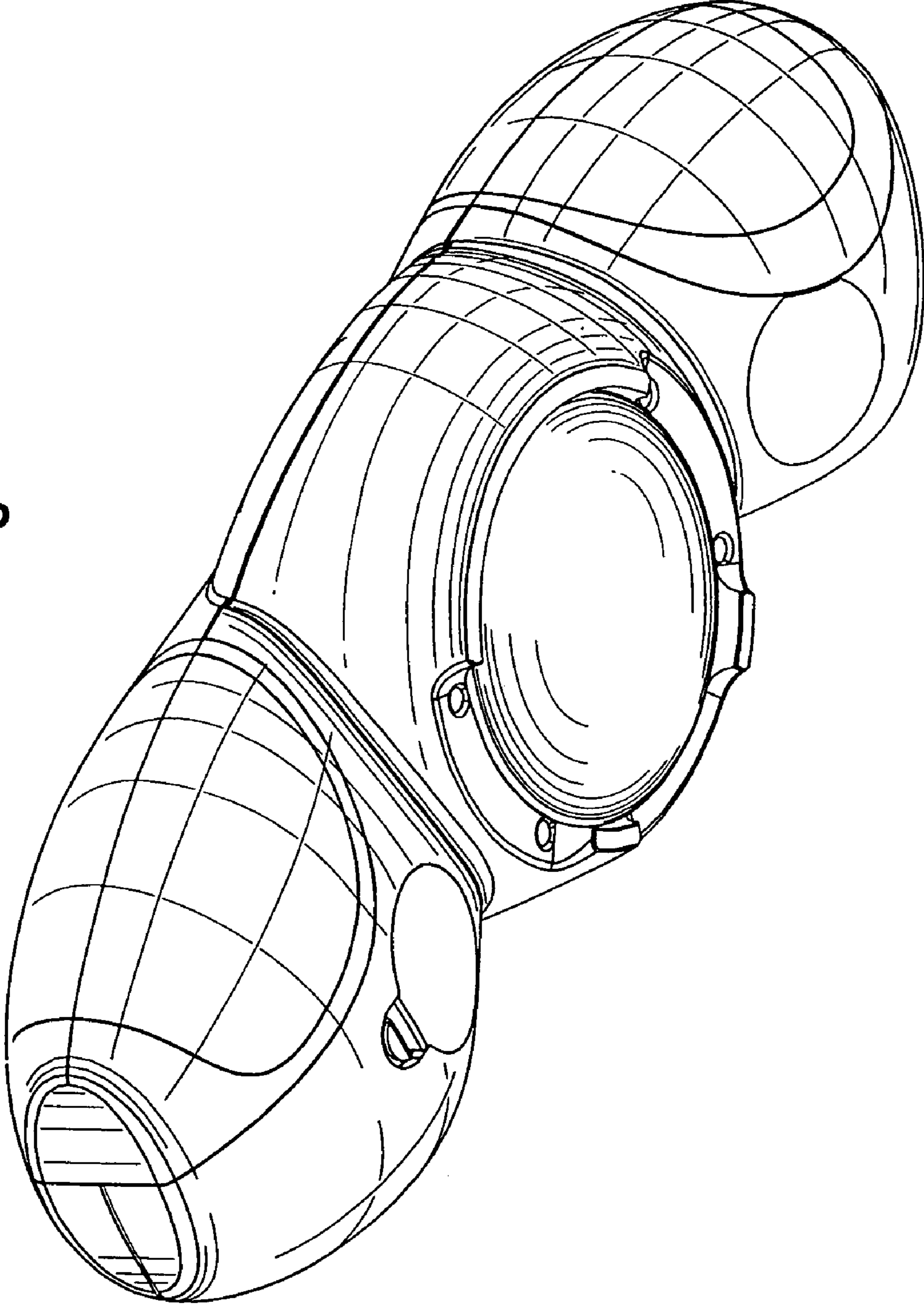


Fig. 4

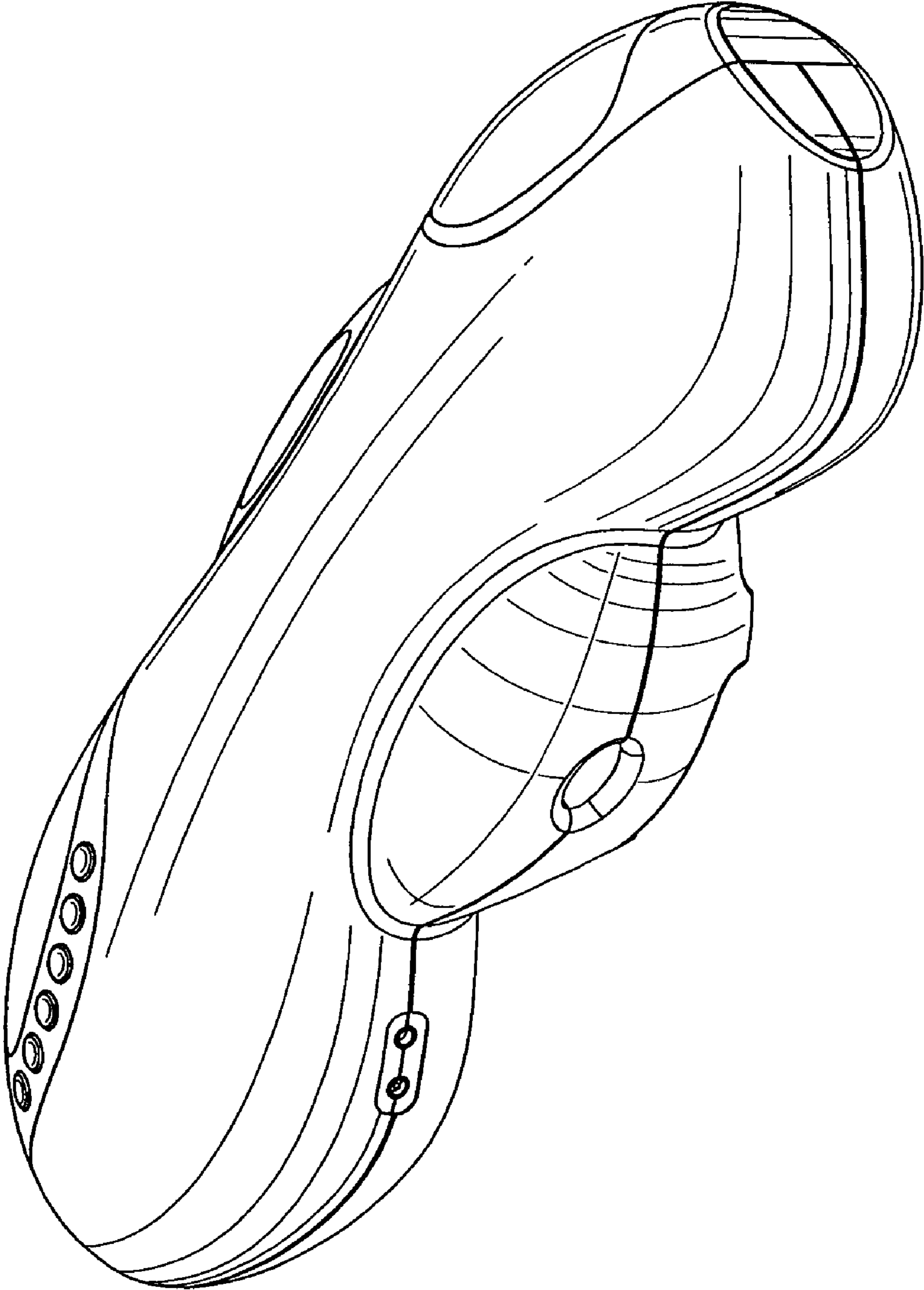


Fig. 5

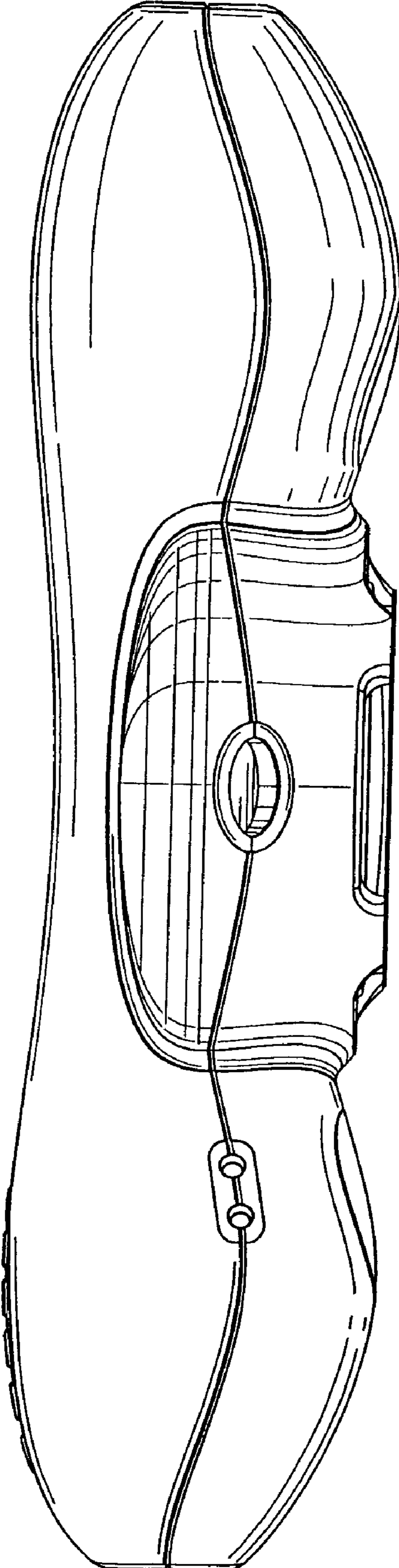


Fig. 6

