

US00D548222S

(12) **United States Design Patent**  
**Kim**

(10) **Patent No.:** **US D548,222 S**

(45) **Date of Patent:** **\*\* Aug. 7, 2007**

(54) **SPEAKER FOR HOME THEATER**

D503,169 S \* 3/2005 Hisatsune ..... D14/214  
D514,089 S \* 1/2006 Jones ..... D14/214

(75) Inventor: **Jae-Hyung Kim**, Seoul (KR)

\* cited by examiner

(73) Assignee: **Samsung Electronics Co., Ltd.**,  
Kyunggi-do (KR)

*Primary Examiner*—Nanda Bondade

(\*\*) Term: **14 Years**

(74) *Attorney, Agent, or Firm*—Flynn, Thiel, Boutell &  
Tanis, P.C.

(21) Appl. No.: **29/258,373**

(57) **CLAIM**

(22) Filed: **Apr. 20, 2006**

The ornamental design for a speaker for home theater, as  
shown and described.

(51) **LOC (8) Cl.** ..... **14-01**

(52) **U.S. Cl.** ..... **D14/214; D14/215**

(58) **Field of Classification Search** ..... D14/204,  
D14/209–217, 168, 172; 181/143–144, 147–148,  
181/150, 157, 198–199, 151, 153; 381/300–302,  
381/306, 333, 345, 361–364, 386–388, 332,  
381/336; 455/42, 344

See application file for complete search history.

**DESCRIPTION**

FIG. 1 is a top front perspective view of a speaker for home  
theater showing my new design;

FIG. 2 is a front elevational view thereof;

FIG. 3 is a rear elevational view thereof;

FIG. 4 is a left side elevational view thereof;

FIG. 5 is a right side elevational view thereof;

FIG. 6 is a top plan view thereof; and,

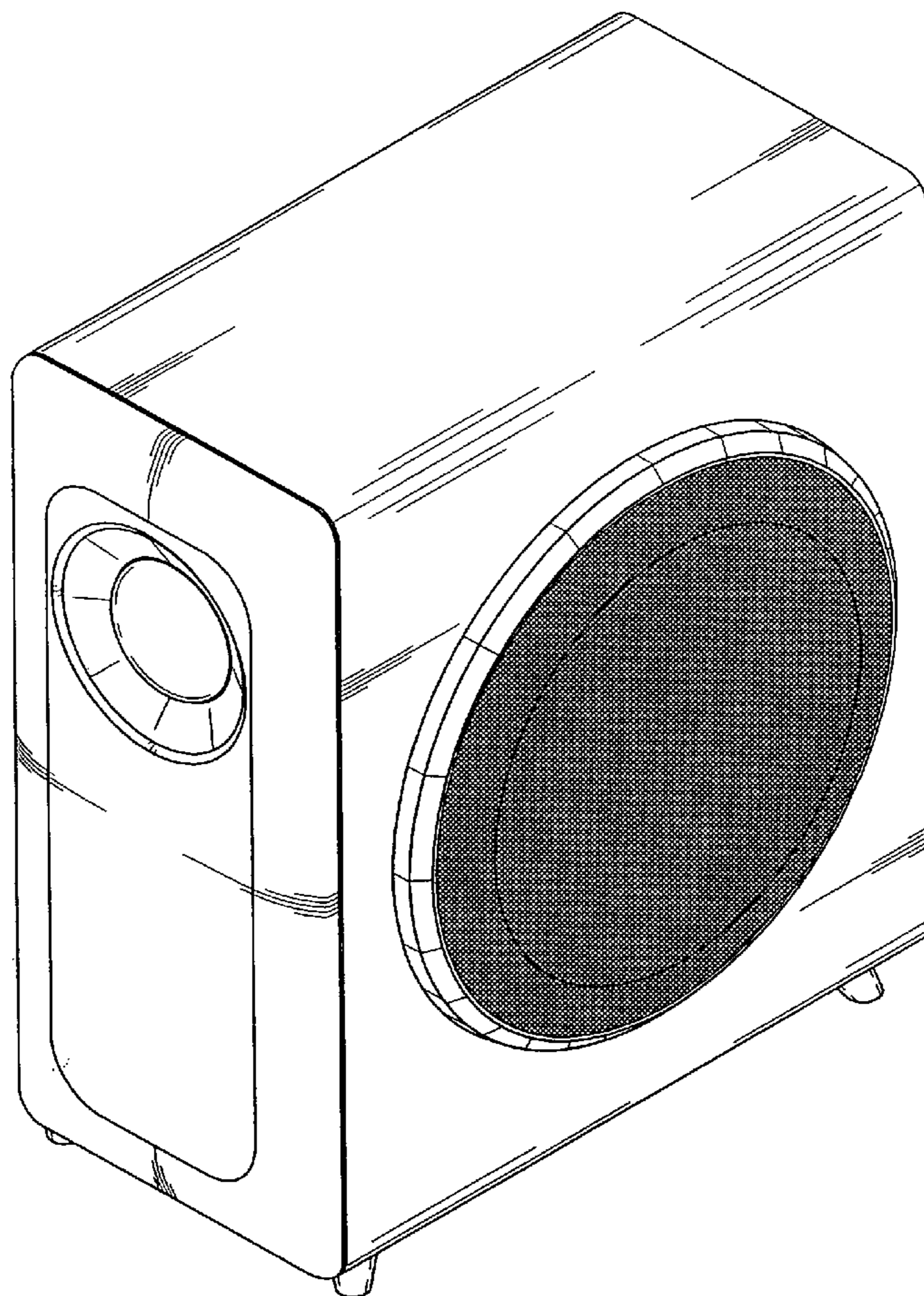
FIG. 7 is a bottom plan view thereof.

(56) **References Cited**

**U.S. PATENT DOCUMENTS**

D382,270 S \* 8/1997 Matsuoka ..... D14/214  
D485,257 S \* 1/2004 Allen ..... D14/215

**1 Claim, 4 Drawing Sheets**



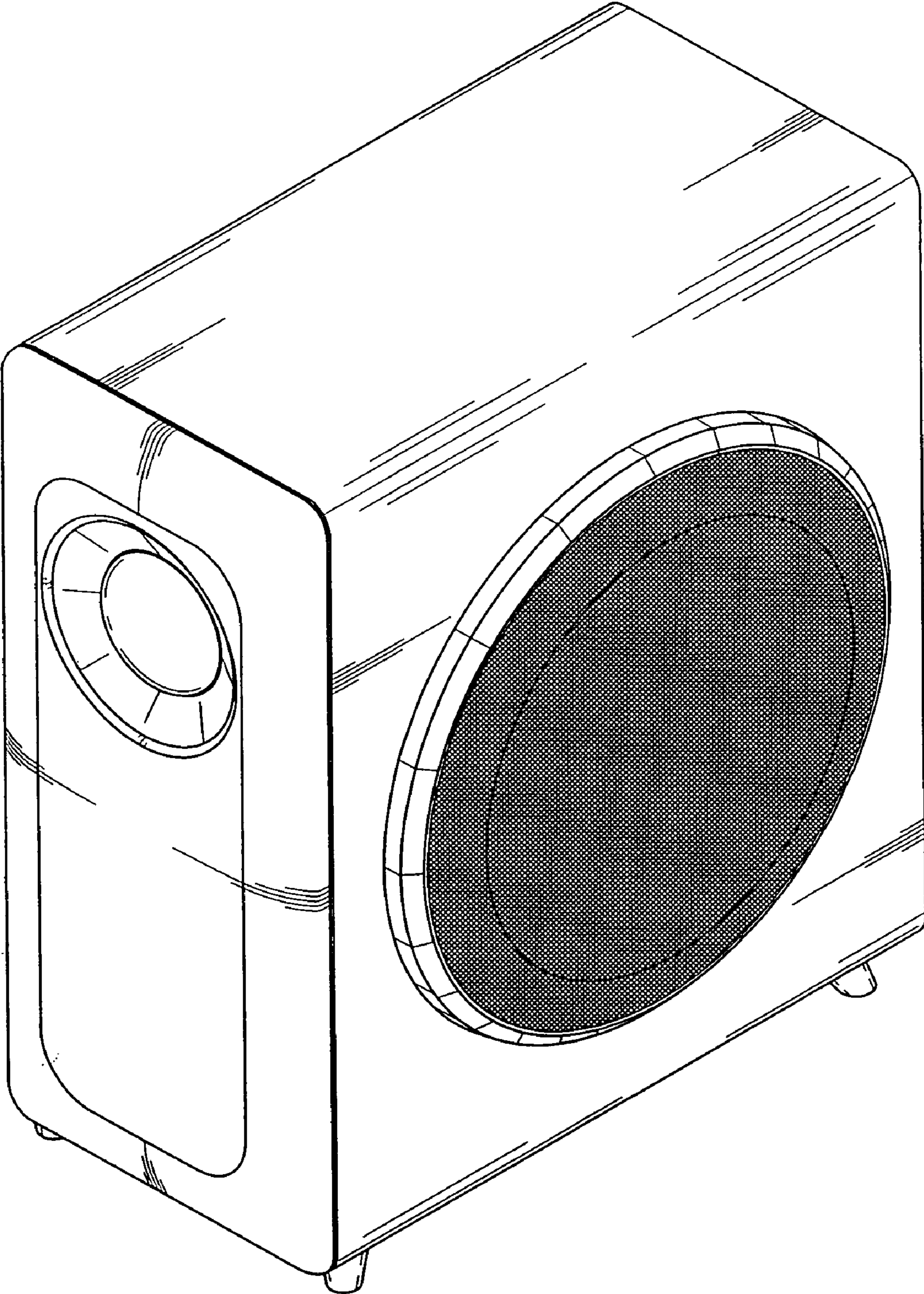


FIG. 1

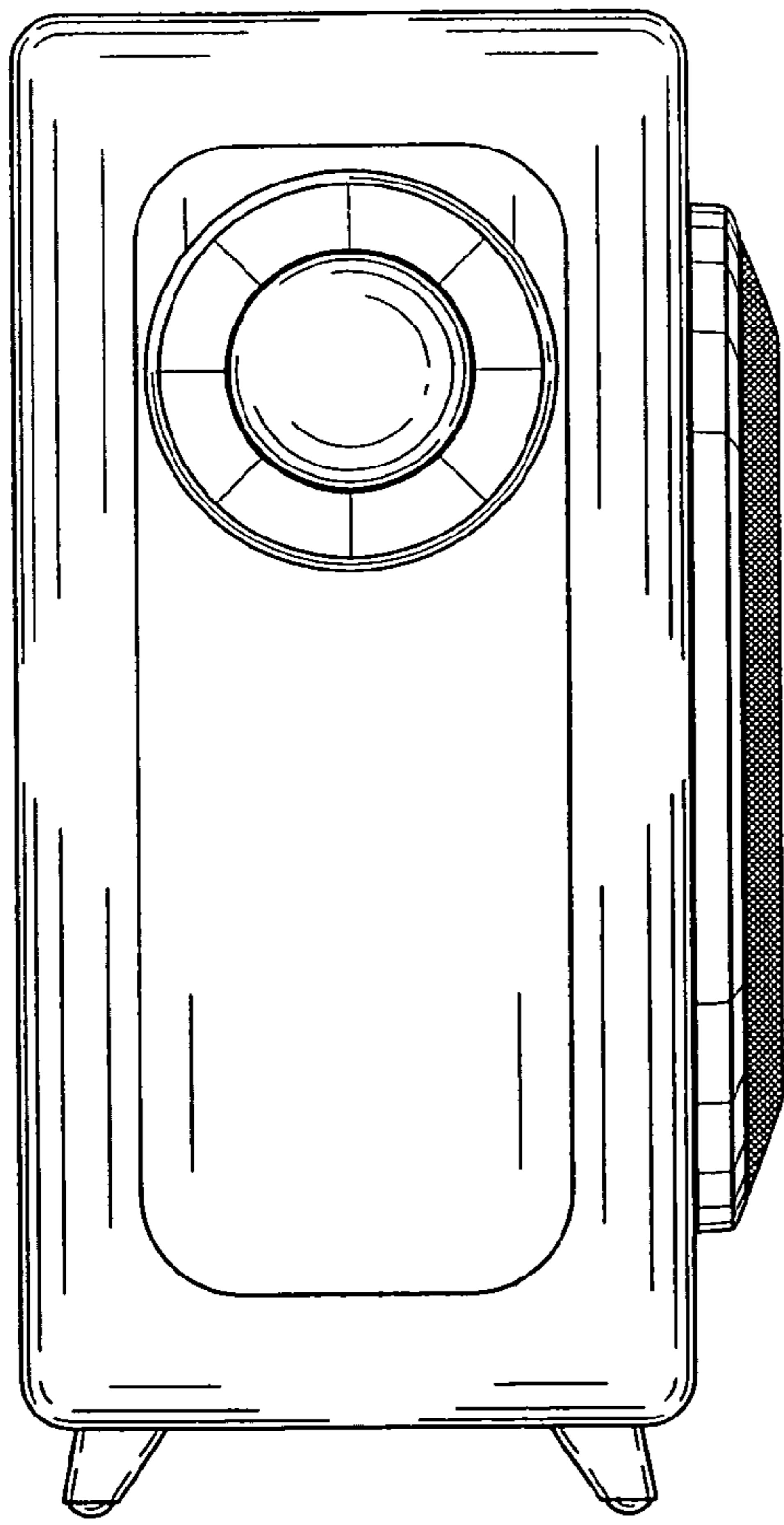


FIG. 2

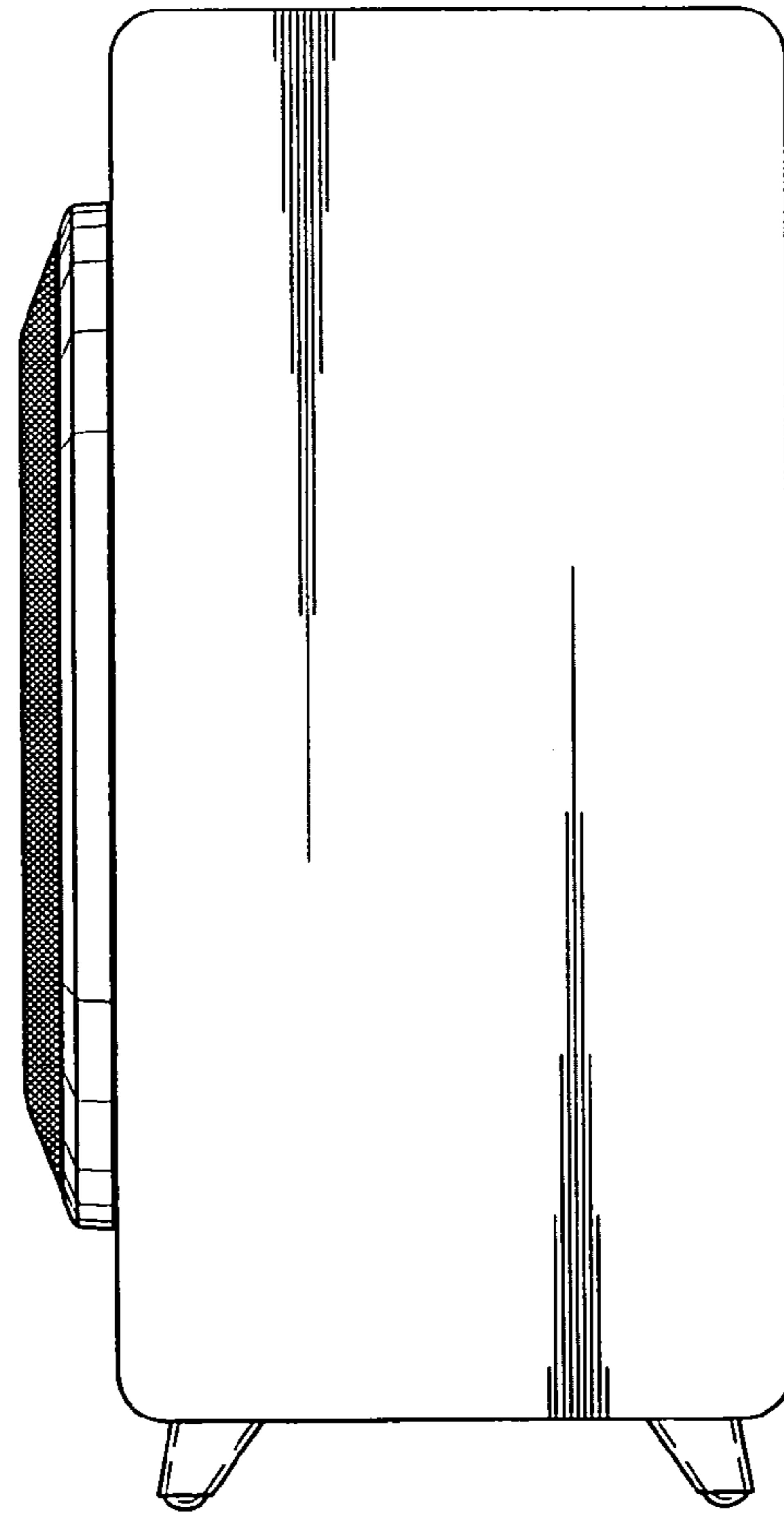


FIG. 3



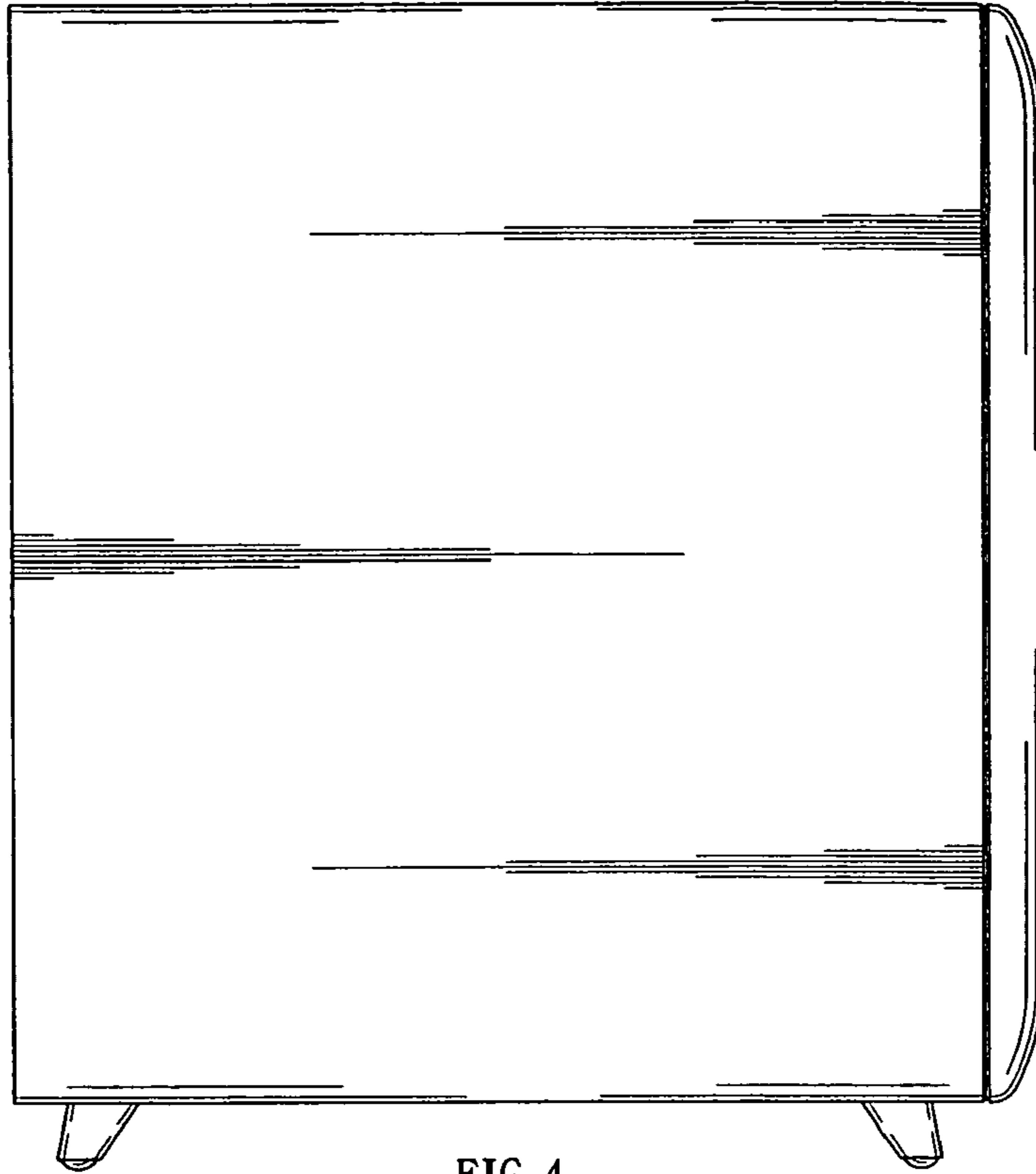


FIG. 4

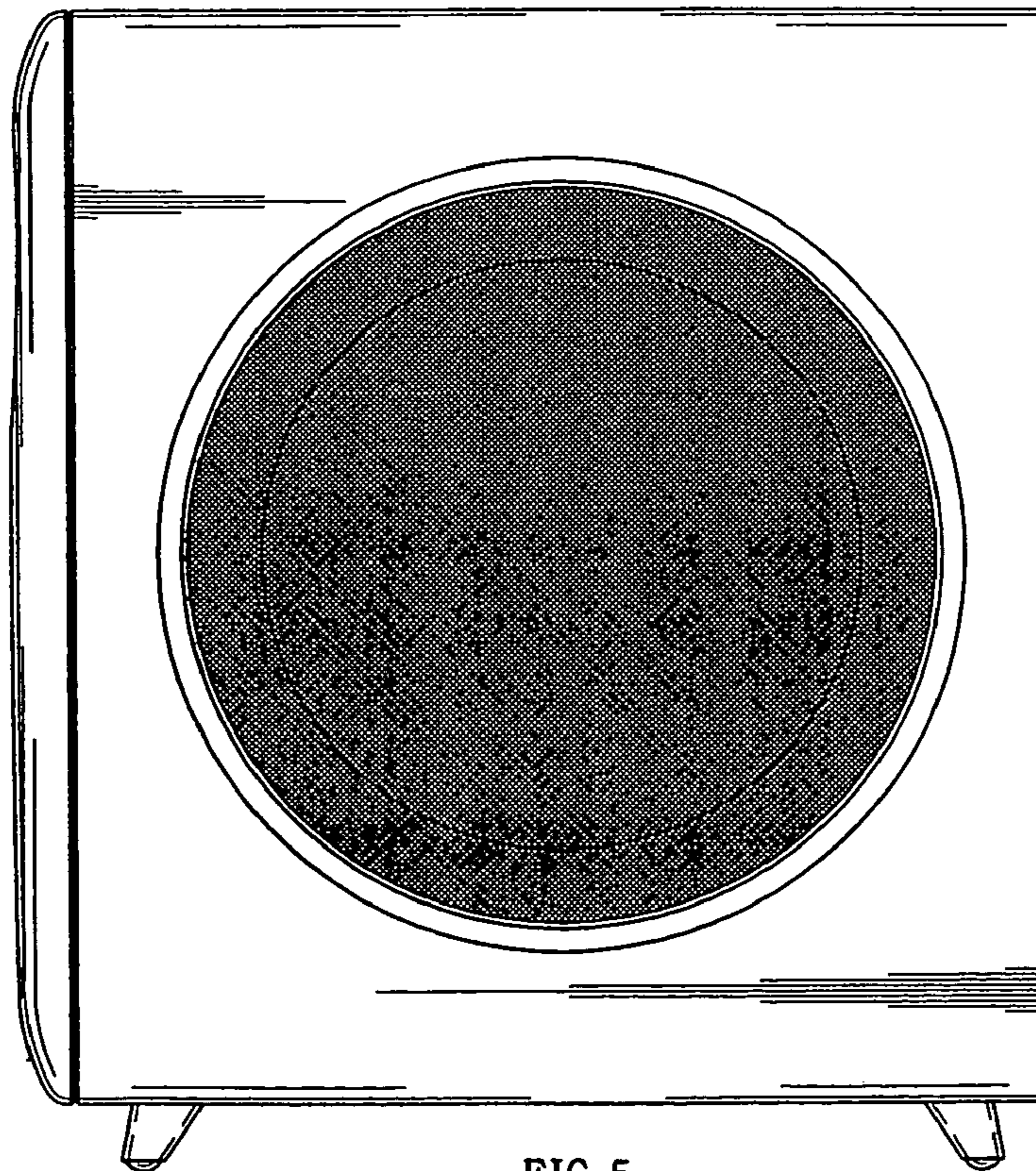


FIG. 5

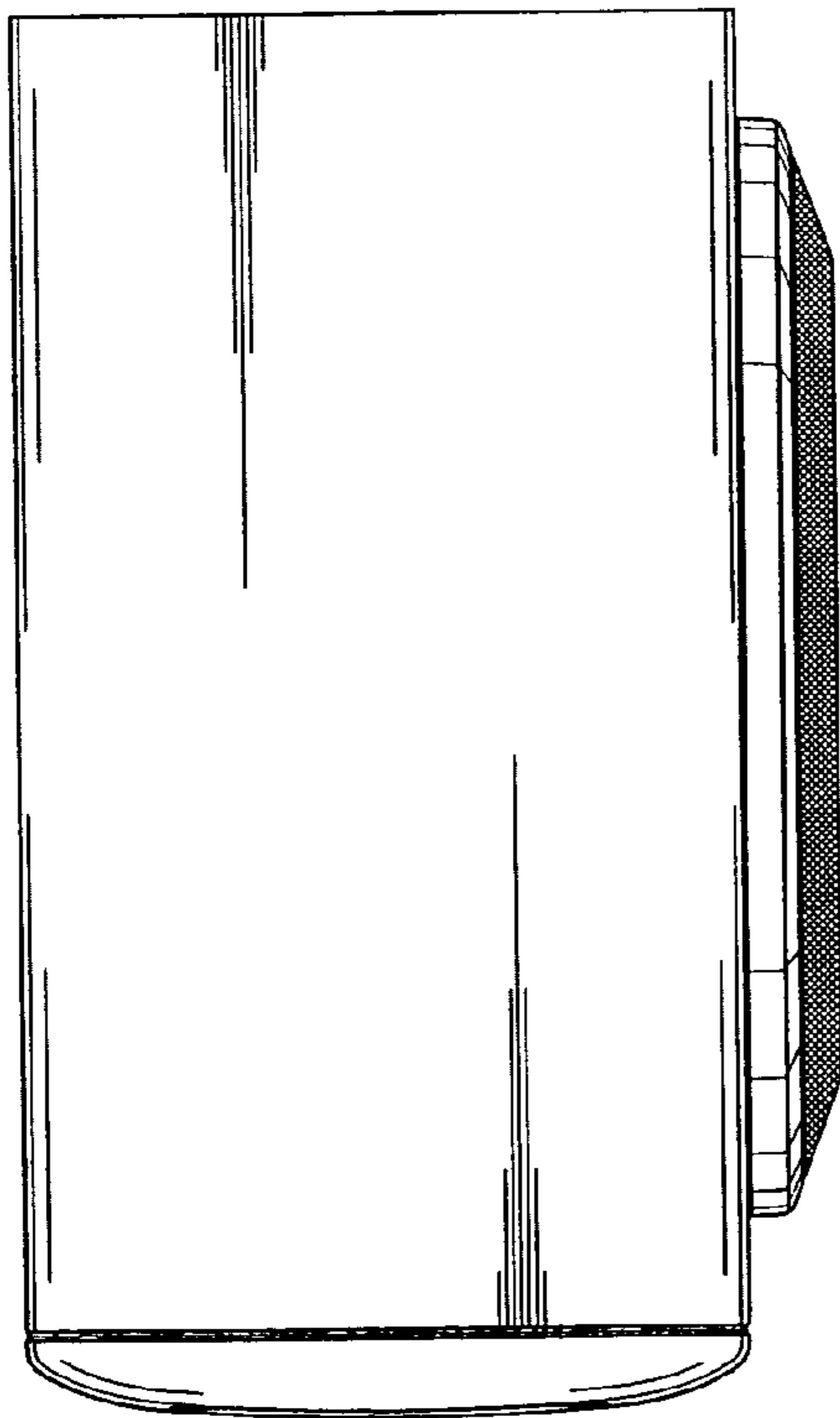


FIG. 6

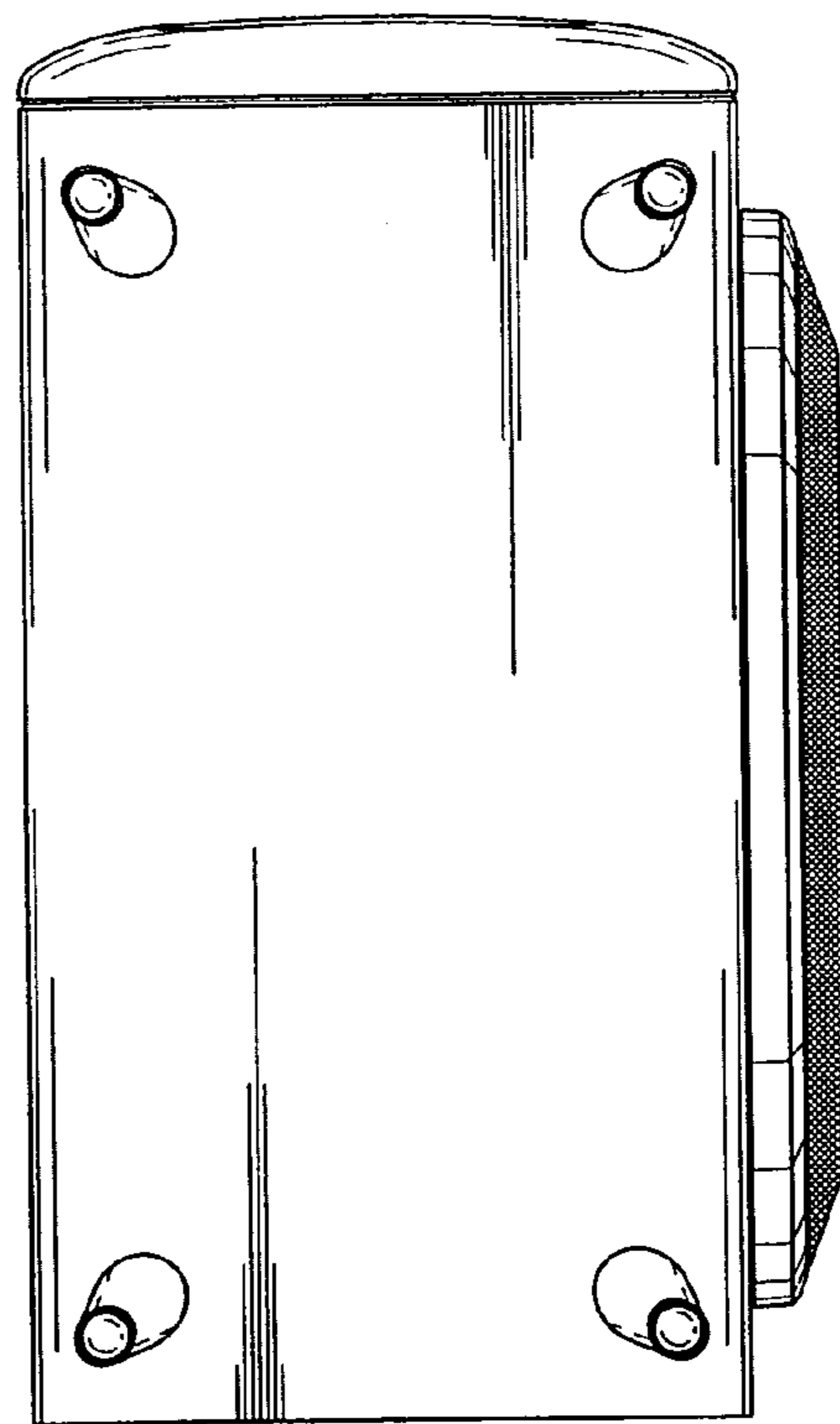


FIG. 7