

US00D548221S

(12) **United States Design Patent**
Huang

(10) **Patent No.:** **US D548,221 S**

(45) **Date of Patent:** **** Aug. 7, 2007**

(54) **HEADPHONE**

(75) **Inventor:** **Ying-Shih Huang**, Taoyuan County (TW)

(73) **Assignee:** **Jetvox Acoustic Corp.** (TW)

(**) **Term:** **14 Years**

(21) **Appl. No.:** **29/261,257**

(22) **Filed:** **Jun. 12, 2006**

(51) **LOC (8) Cl.** **14-01**

(52) **U.S. Cl.** **D14/205**

(58) **Field of Classification Search** D14/188,
D14/192, 205, 206, 223; 2/209, 423; 181/129,
181/130; 379/430, 431; 381/381, 309, 370,
381/375; 24/3.1

See application file for complete search history.

(56) **References Cited**

U.S. PATENT DOCUMENTS

D254,183	S	*	2/1980	Doodson	D14/205
5,068,923	A	*	12/1991	Sjoqvist	2/209
D353,818	S	*	12/1994	Nakamura	D14/205
5,406,037	A	*	4/1995	Nageno et al.	181/129
D358,390	S	*	5/1995	Hayashi	D14/205
D391,573	S	*	3/1998	Nakamura	D14/205
D418,509	S	*	1/2000	Zeitman	D14/192

D420,356	S	*	2/2000	Suzuki	D14/205
D457,512	S	*	5/2002	Yoneda	D14/205
6,449,806	B1	*	9/2002	Engelhard et al.	24/3.1
6,654,966	B2	*	12/2003	Rolla	2/209
D484,868	S	*	1/2004	Suzuki	D14/205
D491,917	S	*	6/2004	Asai	D14/205

* cited by examiner

Primary Examiner—Paula A. Greene

(74) *Attorney, Agent, or Firm*—Browdy and Neimark, PLLC

(57) **CLAIM**

The ornamental design for a headphone, as shown.

DESCRIPTION

FIG. 1 shows a perspective view of the present design.

FIG. 2 shows a right side elevational view of the present design.

FIG. 3 shows a top plan view of the present design.

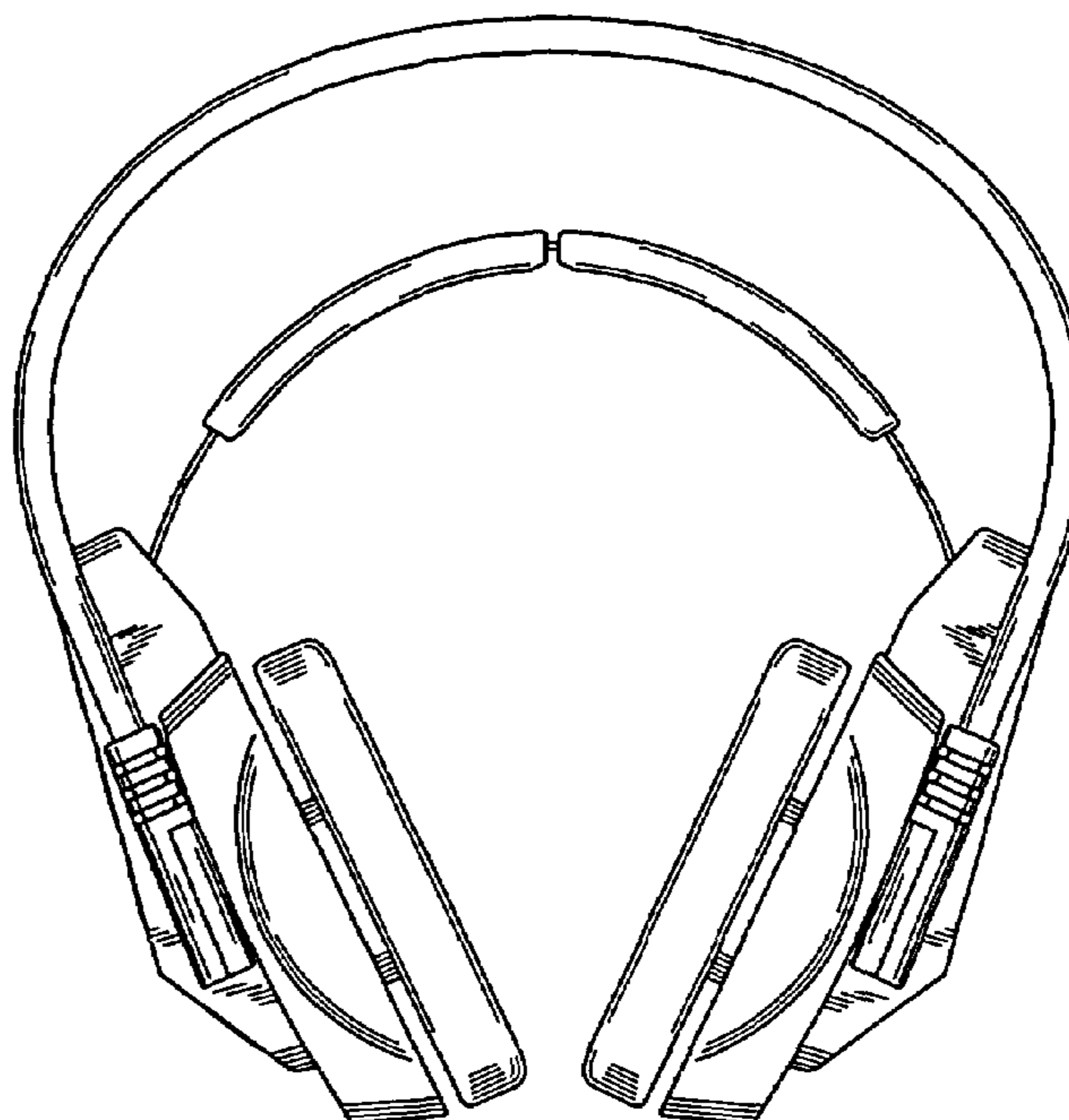
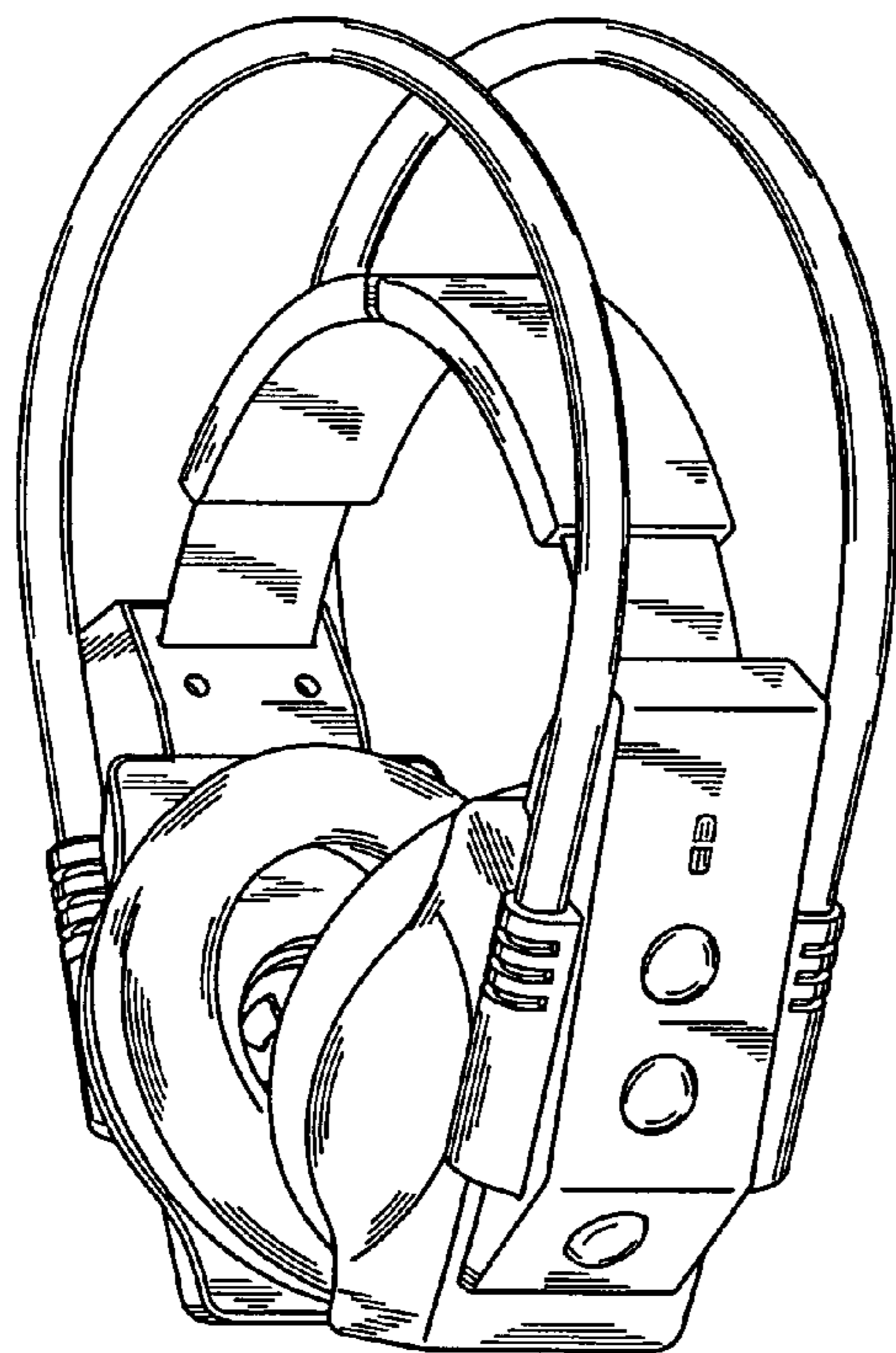
FIG. 4 shows a front elevational view of the present design.

FIG. 5 shows a bottom plan view of the present design.

FIG. 6 shows a left side elevational view of the present design; and,

FIG. 7 shows a rear elevational view of the present design.

1 Claim, 4 Drawing Sheets



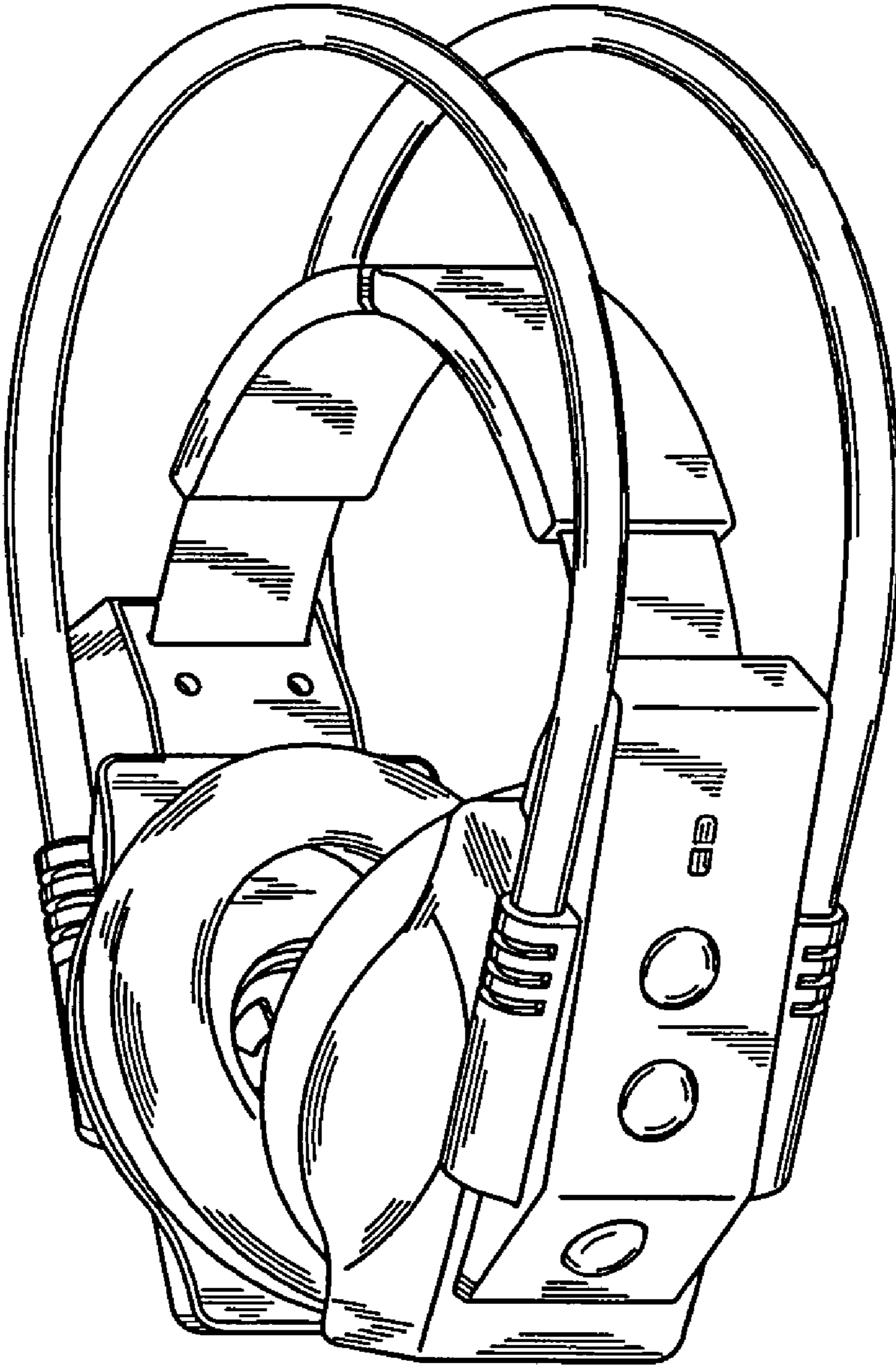


FIG. 1

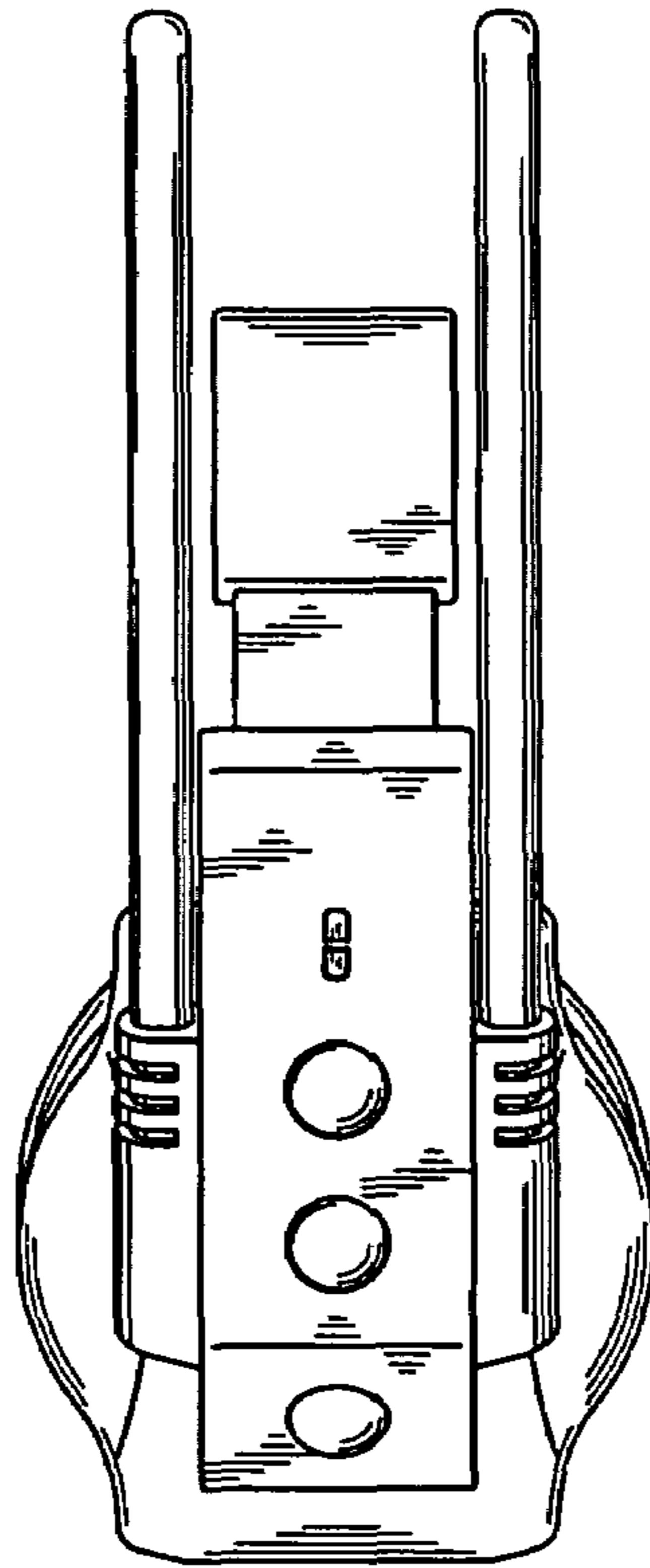


FIG. 2

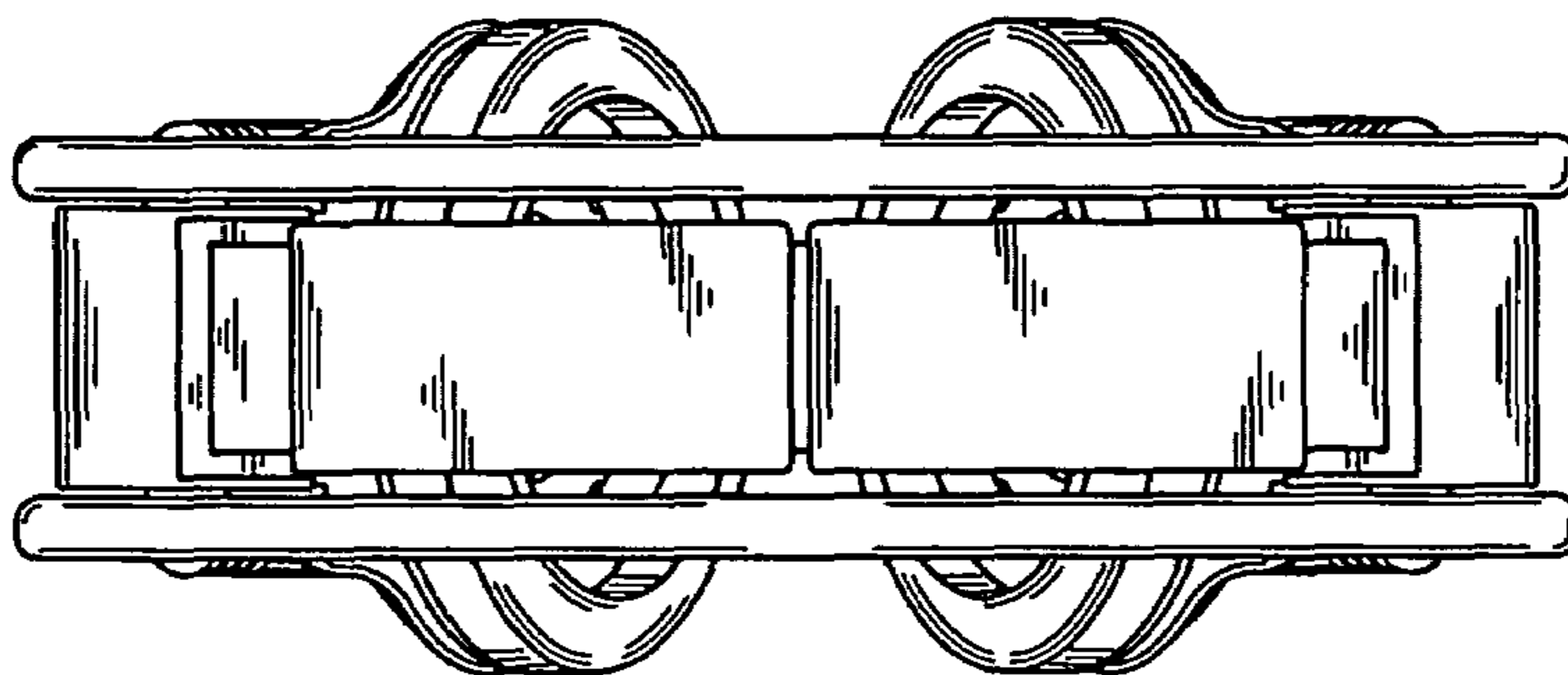


FIG. 3

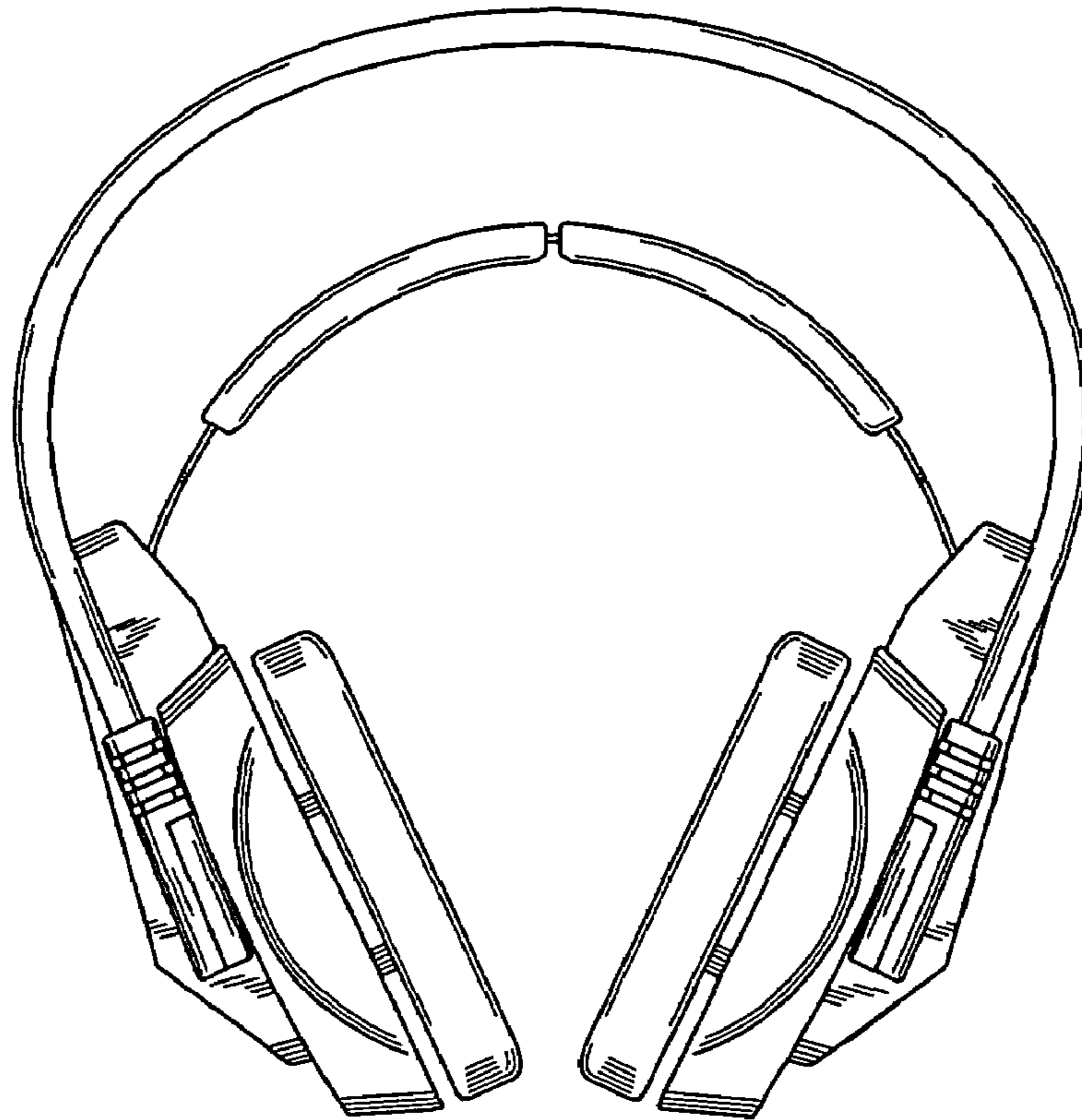


FIG. 4

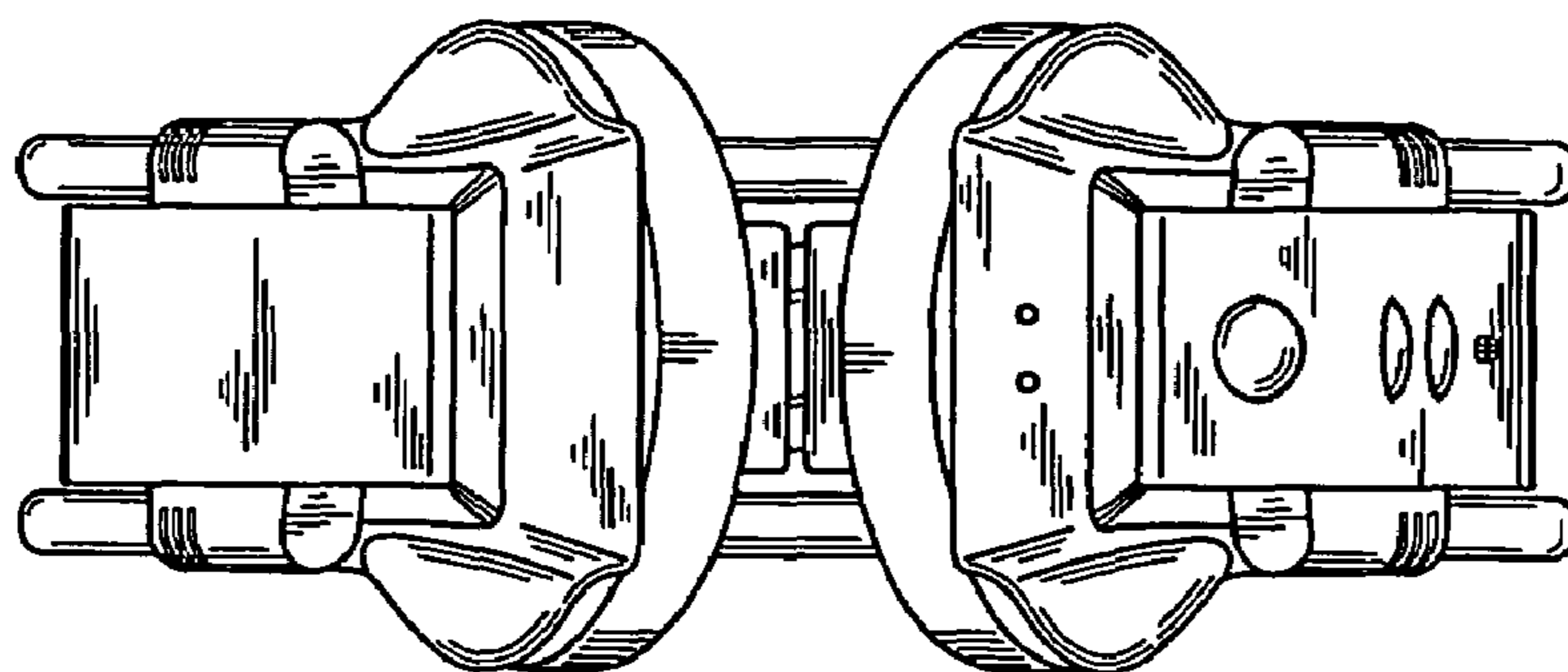


FIG. 5

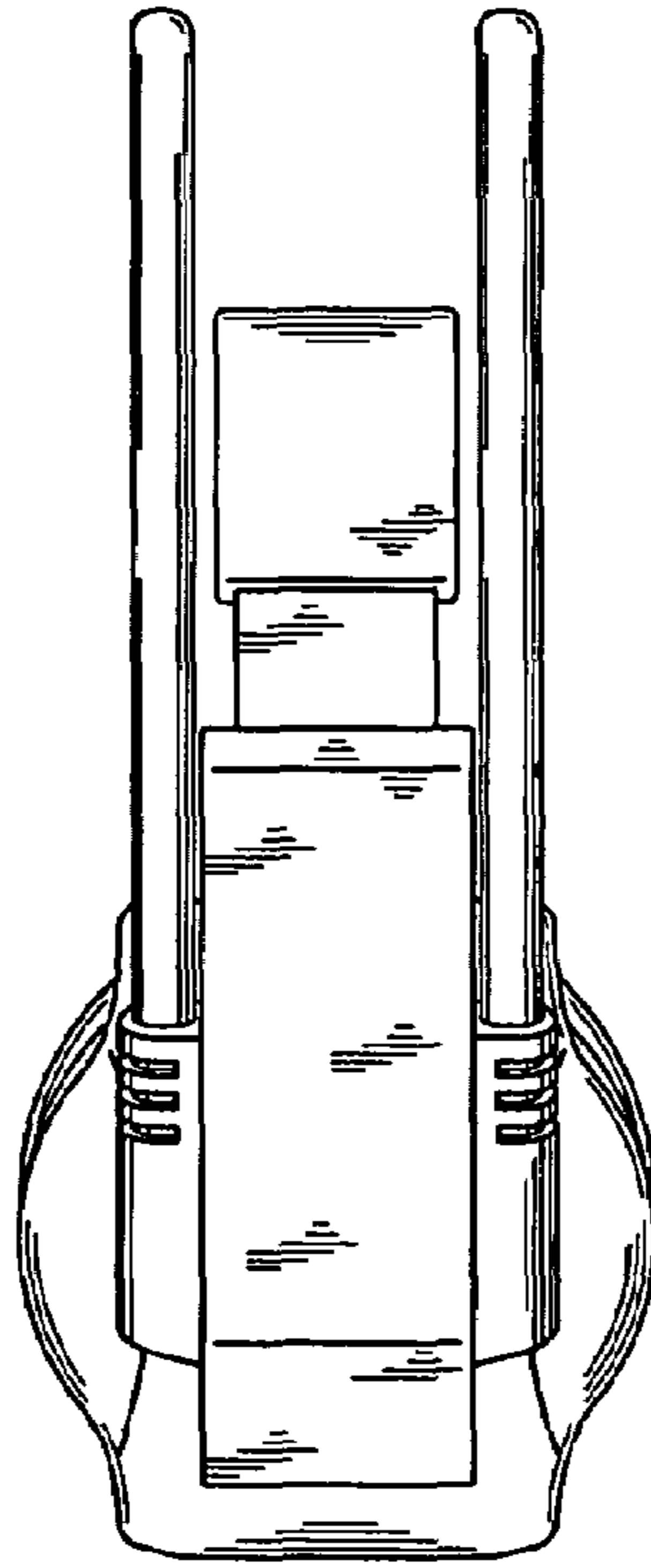


FIG. 6

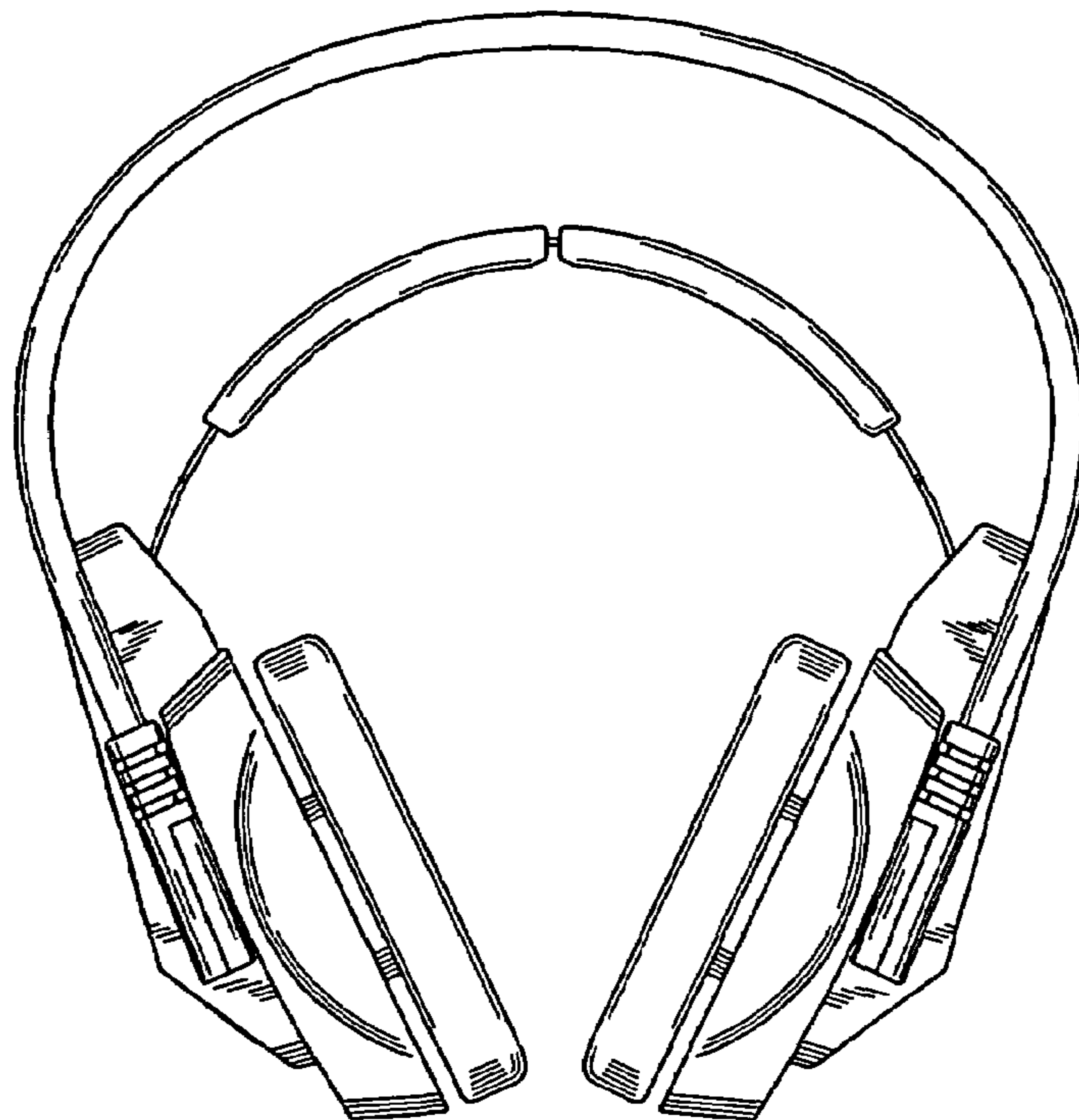


FIG. 7