



US00D548216S

(12) **United States Design Patent**
Pan et al.

(10) **Patent No.:** **US D548,216 S**

(45) **Date of Patent:** **** Aug. 7, 2007**

(54) **MOBILE PHONE**

(75) Inventors: **Ye-Qun Pan**, Shanghai (CN); **Steven Tseng**, Taipei (TW)

(73) Assignee: **Inventec Appliances Corp.**, Taipei (TW)

(**) Term: **14 Years**

(21) Appl. No.: **29/258,080**

(22) Filed: **Apr. 17, 2006**

(51) **LOC (8) Cl.** **14-03**

(52) **U.S. Cl.** **D14/138**

(58) **Field of Classification Search** D14/137-138,
D14/147-148, 156, 218, 247-248, 341-347,
D14/496; D16/208; D21/329, 331, 333,
D21/517; 348/14.01-14.02; 361/814; 379/
433.01-433.13; 455/556.1-556.2, 575.1,
455/575.3, 575.4, 566, 90.3

See application file for complete search history.

(56) **References Cited**

U.S. PATENT DOCUMENTS

D492,276 S *	6/2004	Walliser et al.	D14/138
D496,921 S *	10/2004	Hwang	D14/138
D513,741 S *	1/2006	Jensfelt	D14/138
D514,079 S *	1/2006	Lai	D14/138

D515,533 S *	2/2006	Yano	D14/138
D515,541 S *	2/2006	Jensfelt	D14/138
D523,836 S *	6/2006	Park	D14/138
D524,279 S *	7/2006	Lai	D14/138
D524,786 S *	7/2006	Paradise et al.	D14/138
D529,471 S *	10/2006	Park	D14/138
2004/0204060 A1 *	10/2004	Makinouchi et al.	455/556.1
2006/0100004 A1 *	5/2006	Kim et al.	455/575.3

* cited by examiner

Primary Examiner—Ian Simmons

Assistant Examiner—Carla Jobe Wright

(74) *Attorney, Agent, or Firm*—Bacon & Thomas, PLLC

(57) **CLAIM**

The ornamental design for a mobile phone, as shown.

DESCRIPTION

FIG. 1 is a perspective view of a mobile phone showing my new design;

FIG. 2 is a front elevational view thereof;

FIG. 3 is a rear elevational view thereof;

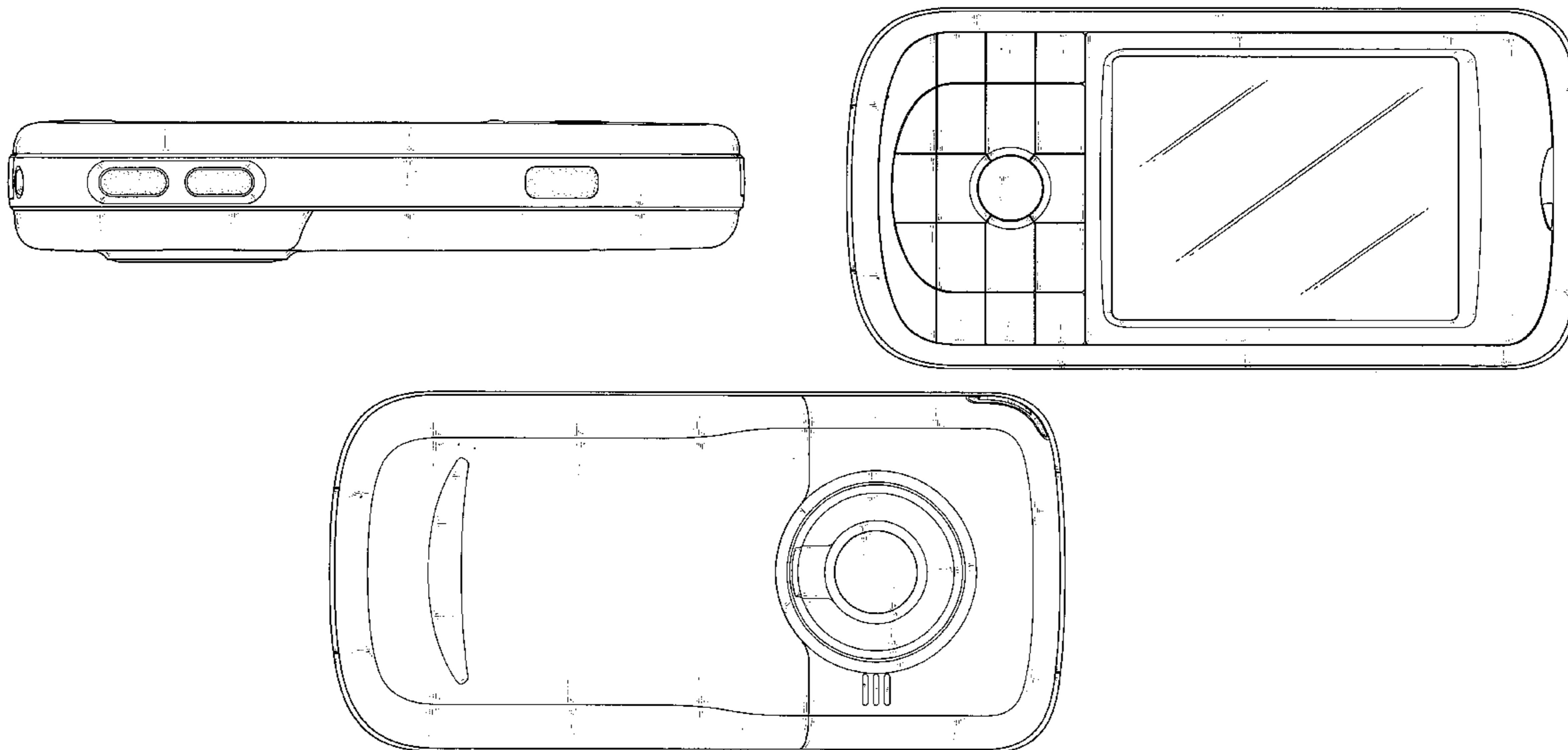
FIG. 4 is a left side elevational view thereof;

FIG. 5 is a right side elevational view thereof;

FIG. 6 is a top plan view thereof; and,

FIG. 7 is a bottom plan view thereof.

1 Claim, 5 Drawing Sheets



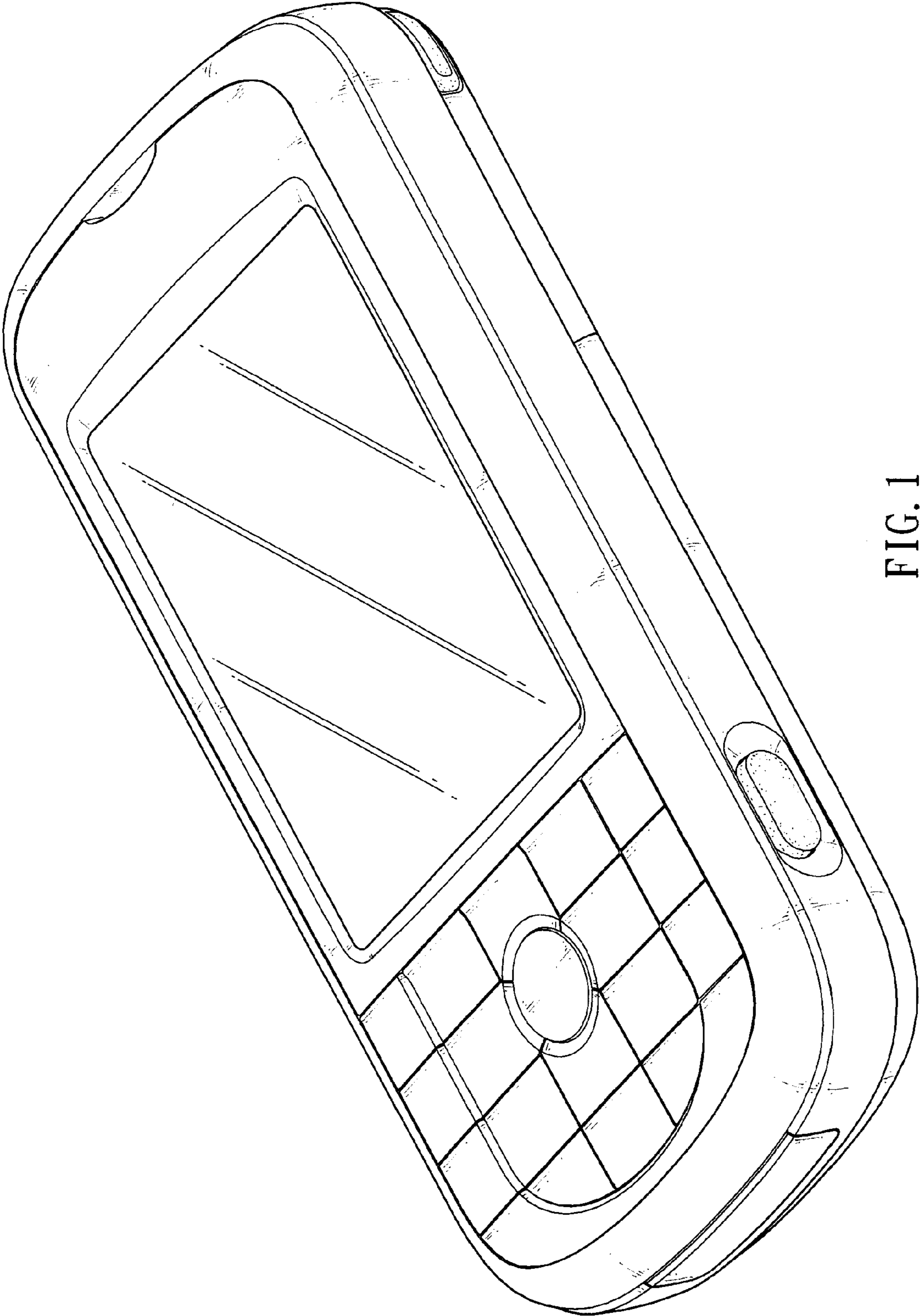


FIG. 1

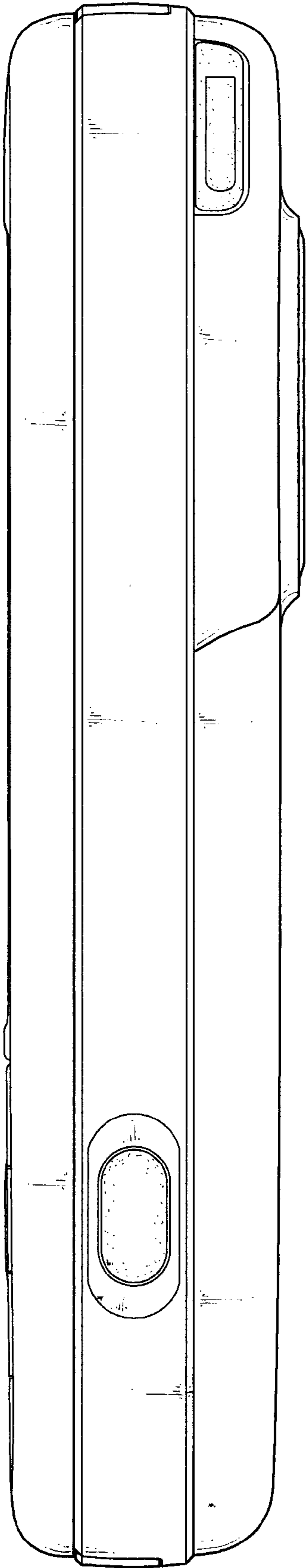


FIG. 2

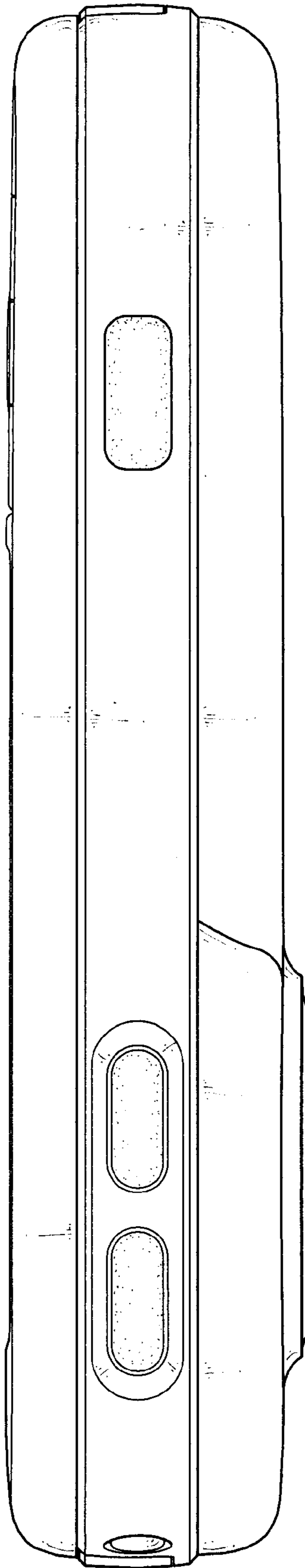


FIG. 3

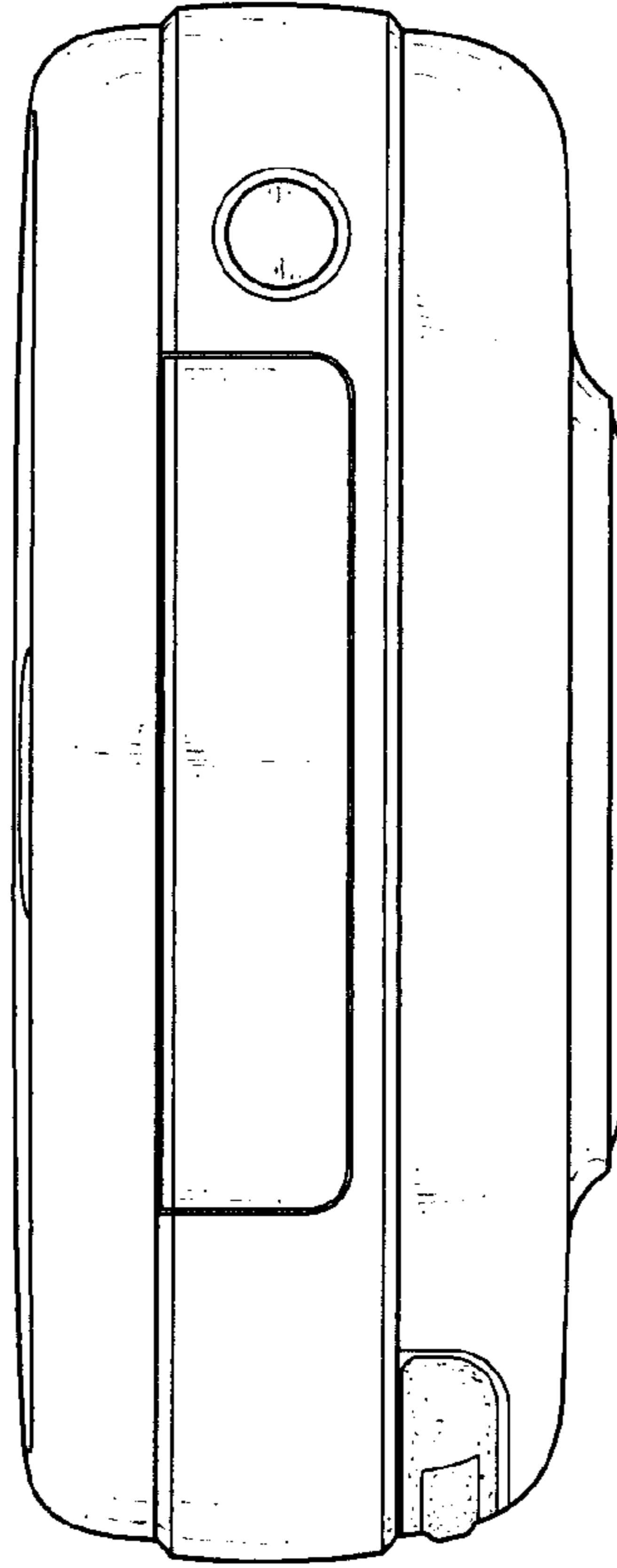


FIG. 5

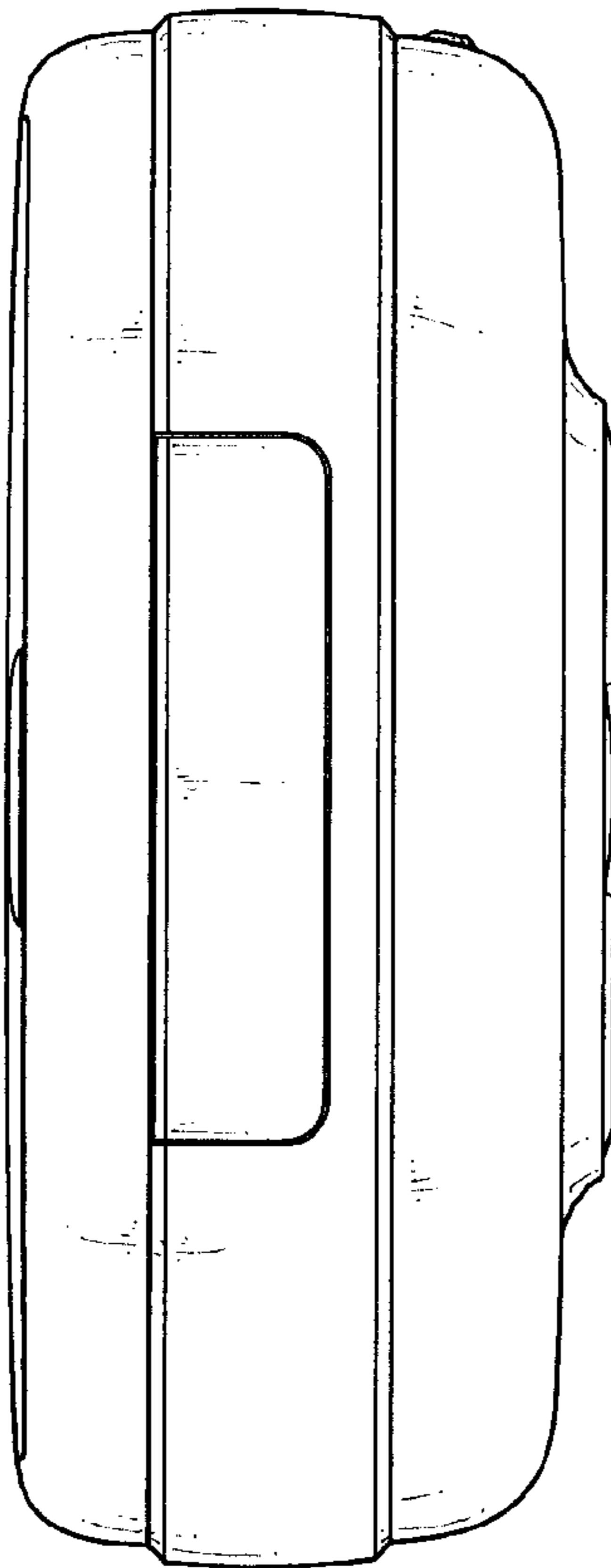


FIG. 4

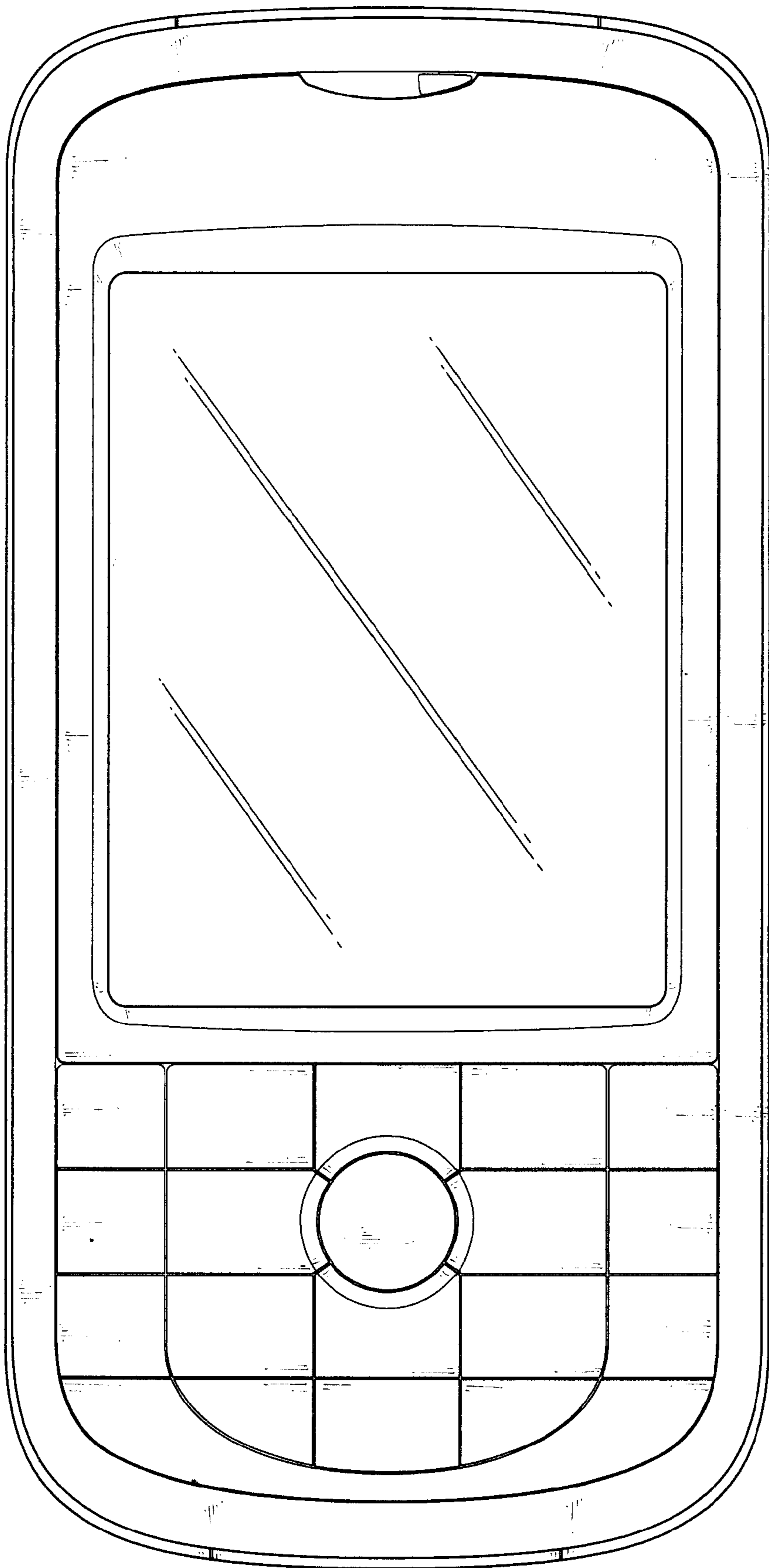


FIG. 6

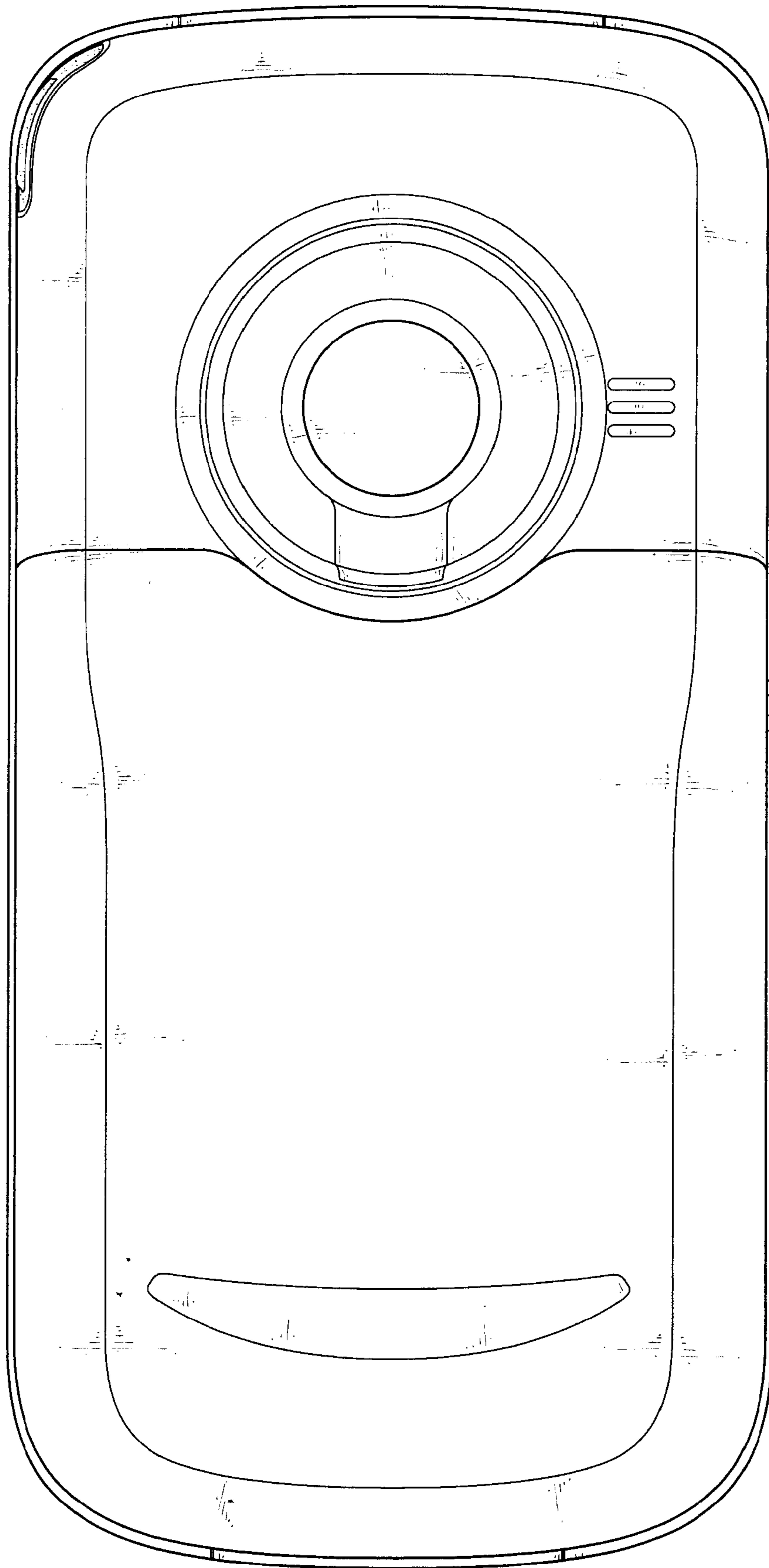


FIG. 7