

US00D548210S

(12) **United States Design Patent**  
**Lewis**

(10) **Patent No.:** **US D548,210 S**

(45) **Date of Patent:** **\*\* Aug. 7, 2007**

(54) **MOBILE PHONE**

(75) Inventor: **David Lewis**, Copenhagen (DK)

(73) Assignee: **Bang & Olufsen A/S**, Struer (DK)

(\*\*) Term: **14 Years**

(21) Appl. No.: **29/239,171**

(22) Filed: **Sep. 27, 2005**

(30) **Foreign Application Priority Data**

Mar. 29, 2005 (DK) ..... DA 2005 00101

(51) **LOC (8) Cl.** ..... **14-03**

(52) **U.S. Cl.** ..... **D14/138**

(58) **Field of Classification Search** ..... D14/138,  
D14/341-347, 147-148, 496; 379/433.01-433.13;  
455/575.3, 575.4, 566, 575.1, 556.1, 556.2,  
455/90.3

See application file for complete search history.

(56) **References Cited**

**U.S. PATENT DOCUMENTS**

D255,125 S \* 5/1980 Hazama et al. .... D18/7  
D345,356 S \* 3/1994 Ando et al. .... D14/138  
D382,556 S \* 8/1997 Jeong ..... D14/138

(Continued)

**FOREIGN PATENT DOCUMENTS**

WO DM/064643 \* 7/2003

**OTHER PUBLICATIONS**

Samsung Serene telephone, announced Oct. 2005, [online],  
[retrieved on Mar. 29, 2007]. Retrieved from Internet ,<URL:  
<http://www.gsmarena.com>>.\*

NEC 910 telephone, announced 1st quarter 2004, [online],  
[retrieved on Mar. 29, 2007]. Retrieved from Internet ,<URL:  
<http://www.gsmarena.com>>.\*

*Primary Examiner*—Jeffrey Asch

(74) *Attorney, Agent, or Firm*—Buchanan Ingersoll &  
Rooney PC

(57) **CLAIM**

The ornamental design for a mobile phone, as shown and  
described.

**DESCRIPTION**

FIG. 1 is a front, side perspective view of a mobile phone in  
a closed position showing my new design;

FIG. 2 is a rear, side perspective view thereof;

FIG. 3 is a front elevational view thereof;

FIG. 4 is a rear elevational view thereof;

FIG. 5 is a left side elevational view thereof;

FIG. 6 is a right side elevational view thereof;

FIG. 7 is a top plan view thereof;

FIG. 8 is a bottom plan view thereof;

FIG. 9 is the front, side perspective view of the mobile  
phone of FIG. 1 in an opened position;

FIG. 10 is a rear, side perspective view thereof;

FIG. 11 is a front elevational view thereof;

FIG. 12 is a rear elevational view thereof;

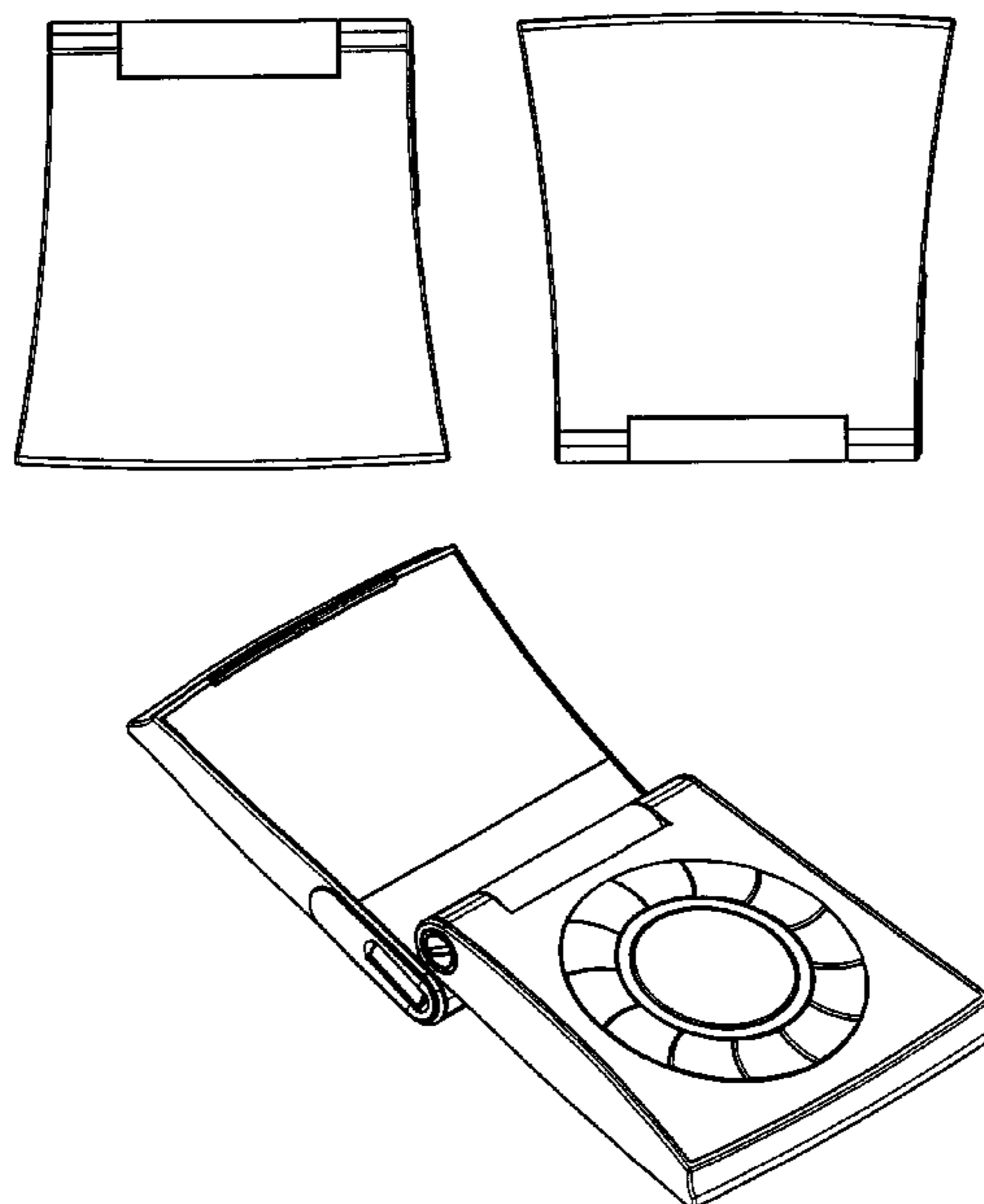
FIG. 13 is a left side elevational view thereof;

FIG. 14 is a right side elevational view thereof;

FIG. 15 is a top plan view thereof; and,

FIG. 16 is a bottom plan view thereof.

**1 Claim, 16 Drawing Sheets**



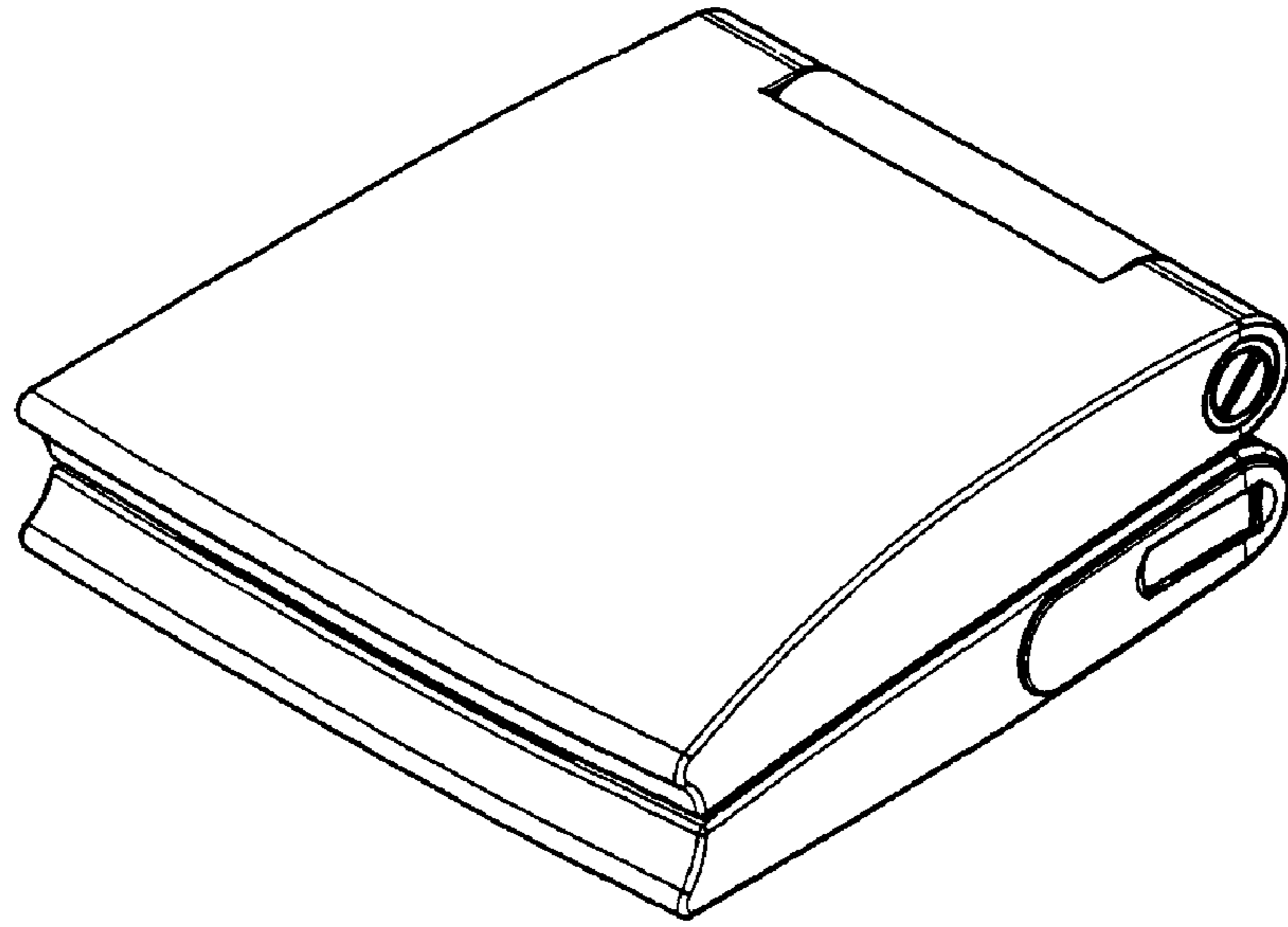
# US D548,210 S

Page 2

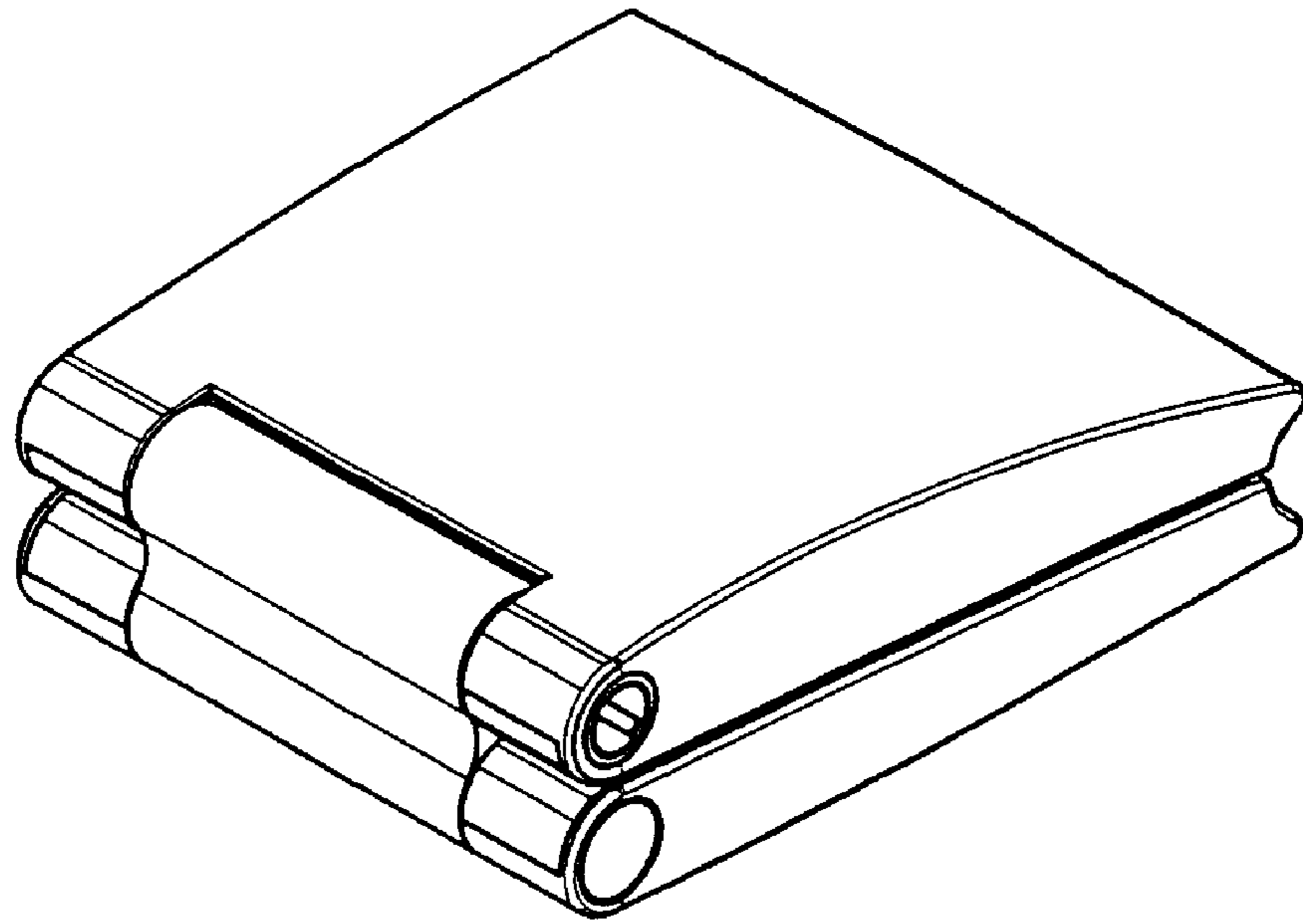
## U.S. PATENT DOCUMENTS

D391,954 S *	3/1998	Kawashima	.....	D14/138	D496,917 S *	10/2004	Brandis	.....	D14/138
D430,566 S *	9/2000	Chu et al.	.....	D14/345	D496,920 S *	10/2004	Peng et al.	.....	D14/138
D443,293 S *	6/2001	Chan	.....	D18/7	D497,891 S *	11/2004	Peng et al.	.....	D14/138
6,269,256 B1 *	7/2001	Nakamura	.....	455/567	D499,710 S *	12/2004	Chauhan	.....	D14/138
D450,046 S *	11/2001	Chun	.....	D14/138	6,914,982 B2 *	7/2005	Toyoda et al.	.....	379/433.13
D453,751 S *	2/2002	Bearden	.....	D14/138	D512,073 S *	11/2005	Rodarte	.....	D14/496
D467,891 S *	12/2002	Tokioka et al.	.....	D14/156	D525,230 S *	7/2006	Kim et al.	.....	D14/138
D468,279 S *	1/2003	Kim et al.	.....	D14/138	D531,157 S *	10/2006	Lheem	.....	D14/138
D474,510 S *	5/2003	Fayram et al.	.....	D21/330	D535,271 S *	1/2007	Liang	.....	D14/138
D475,987 S *	6/2003	Lee et al.	.....	D14/138	2002/0094846 A1 *	7/2002	Kishimoto et al.	.....	455/566
D478,517 S *	8/2003	Law	.....	D10/65	2004/0127269 A1 *	7/2004	Nonaka	.....	455/575.3
6,643,124 B1 *	11/2003	Wilk	.....	361/681	2005/0186985 A1 *	8/2005	Im et al.	.....	455/550.1
D484,918 S *	1/2004	Okada et al.	.....	D21/330					

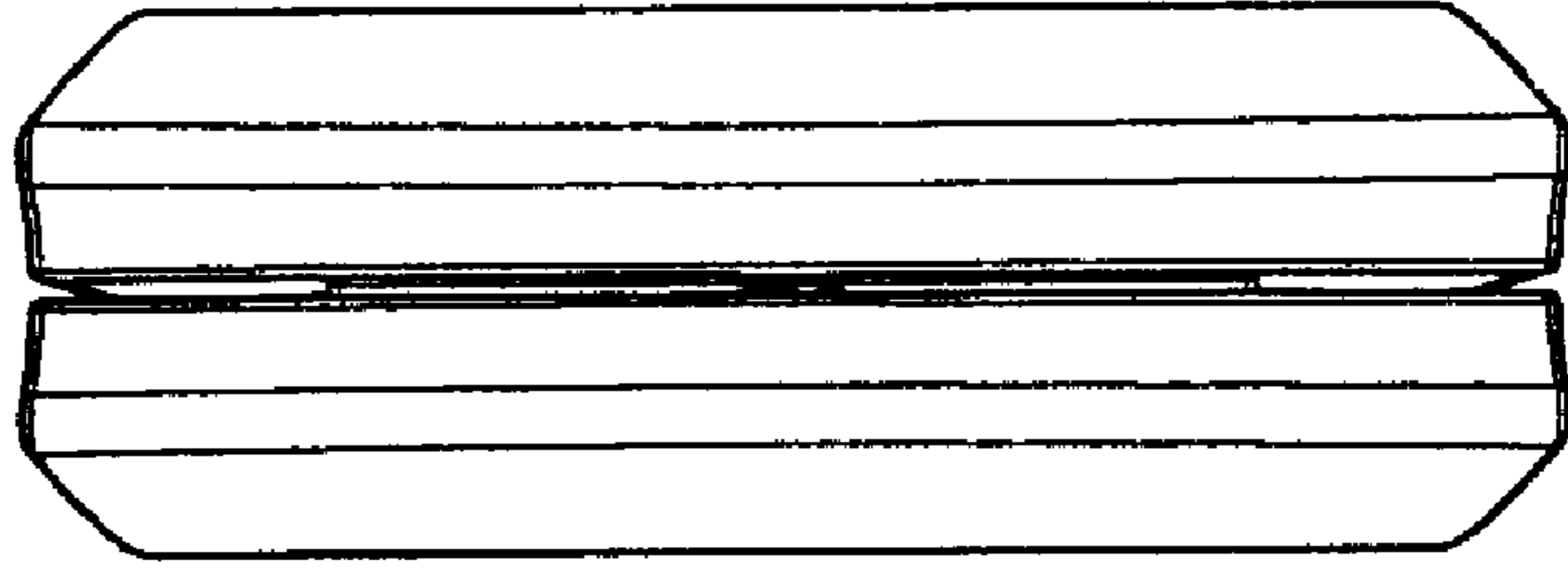
\* cited by examiner



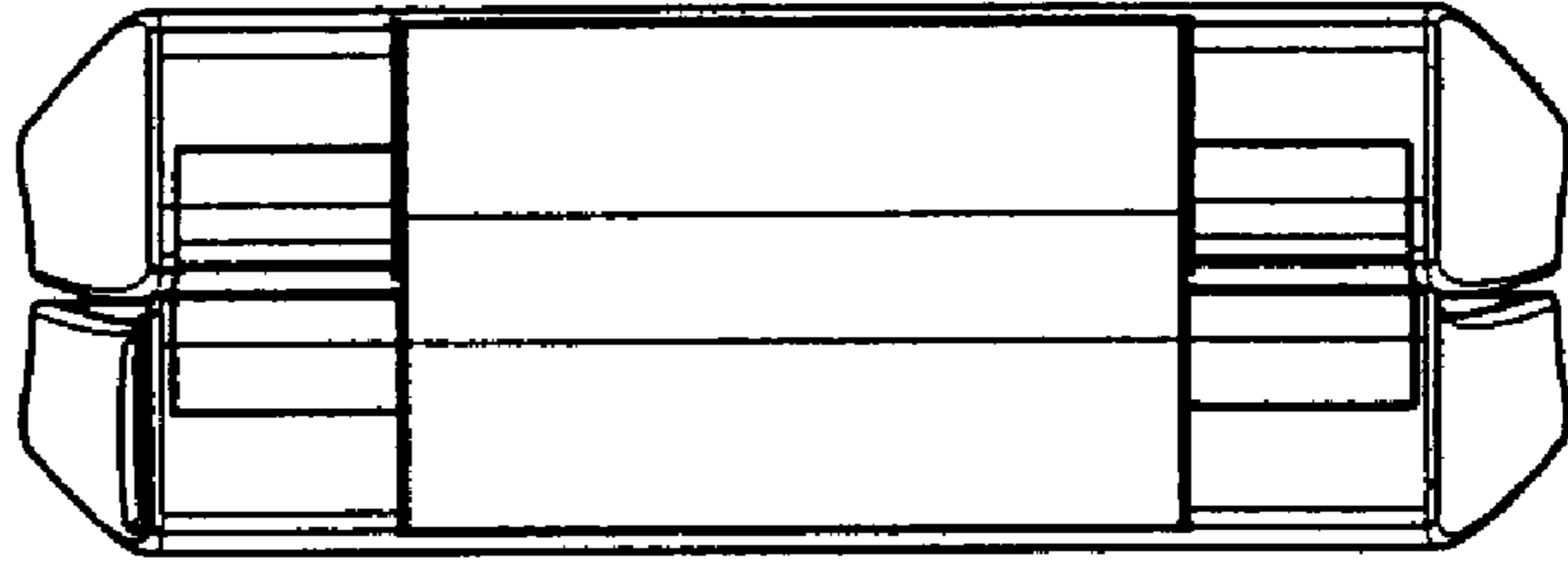
**Fig. 1**



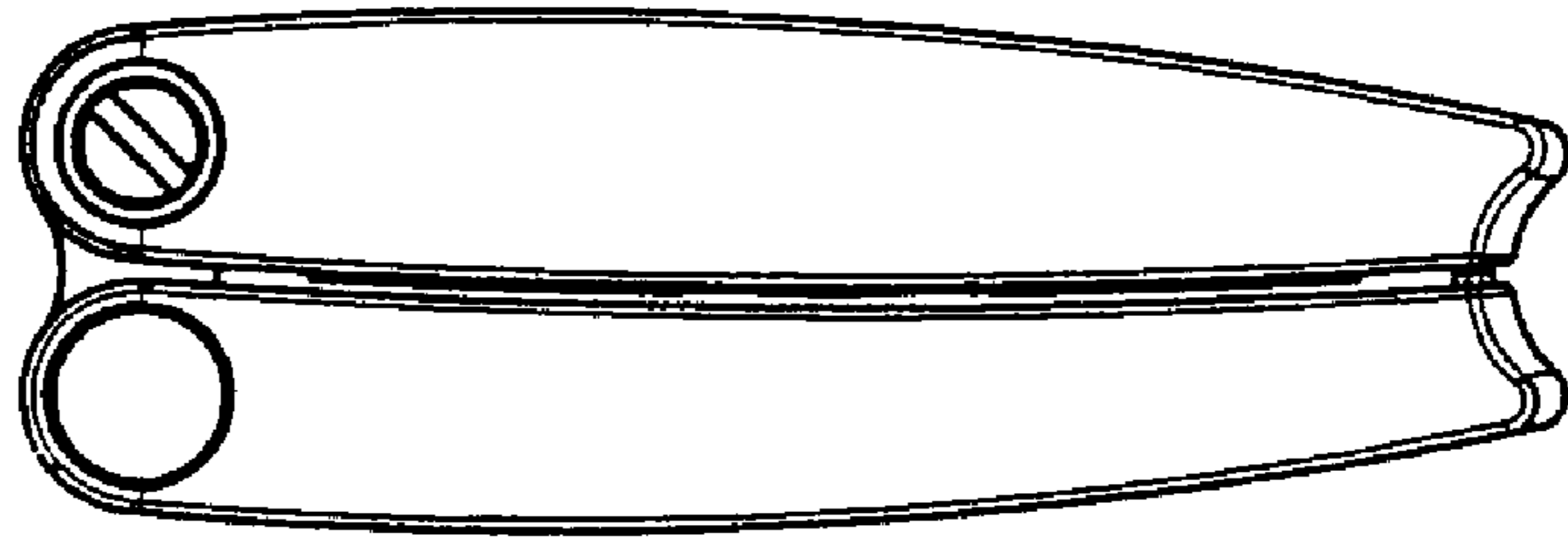
**Fig. 2**



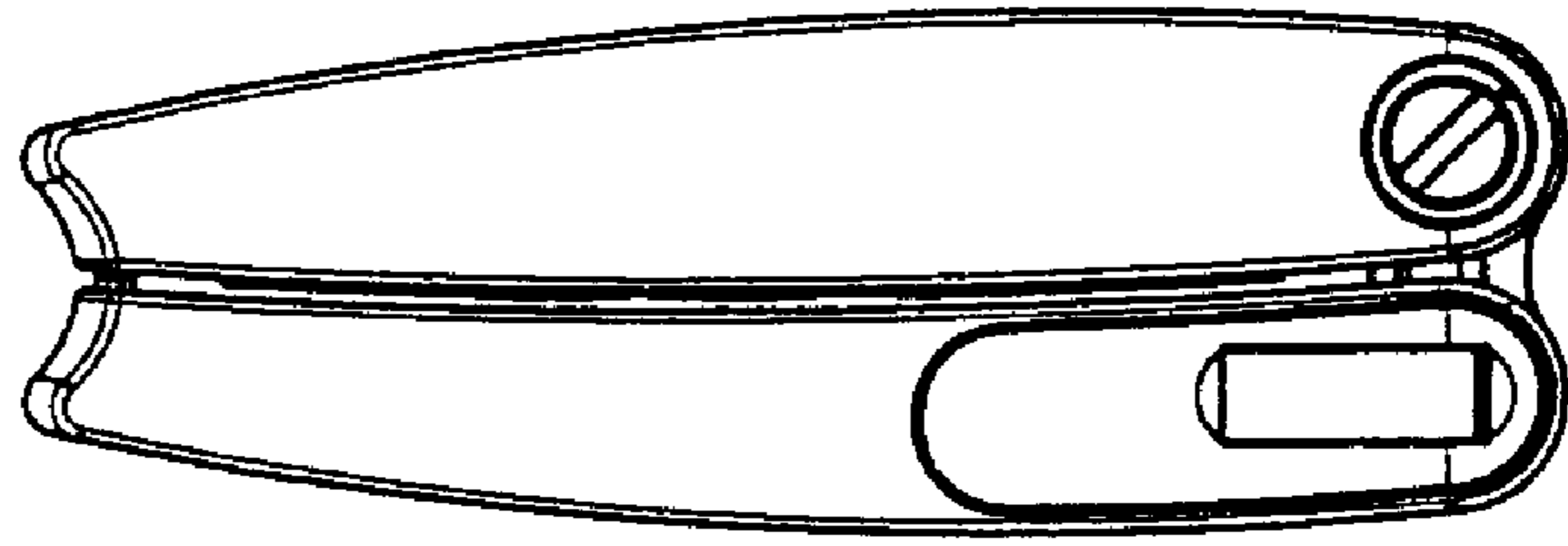
**Fig. 3**



**Fig. 4**

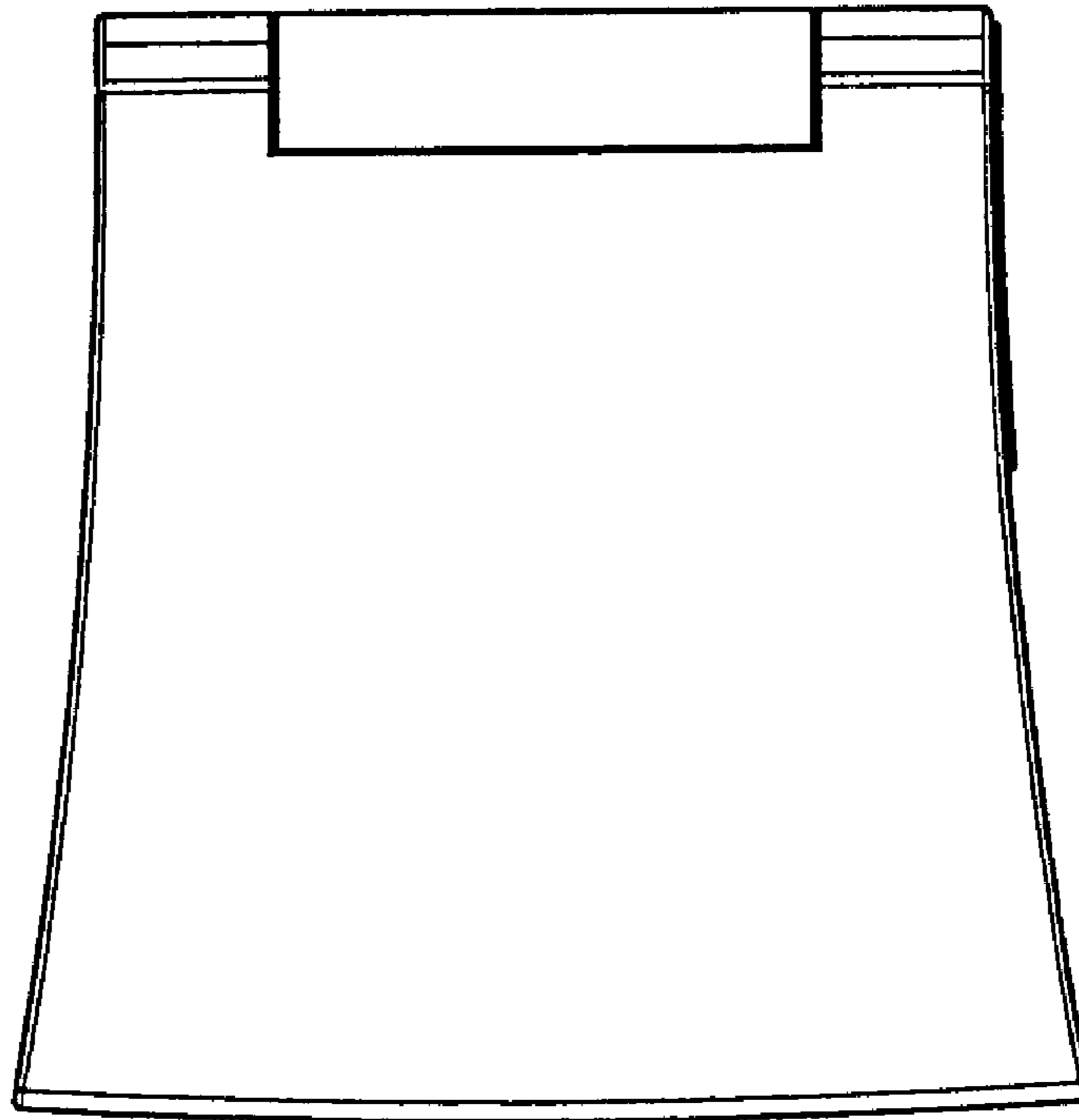


**Fig. 5**

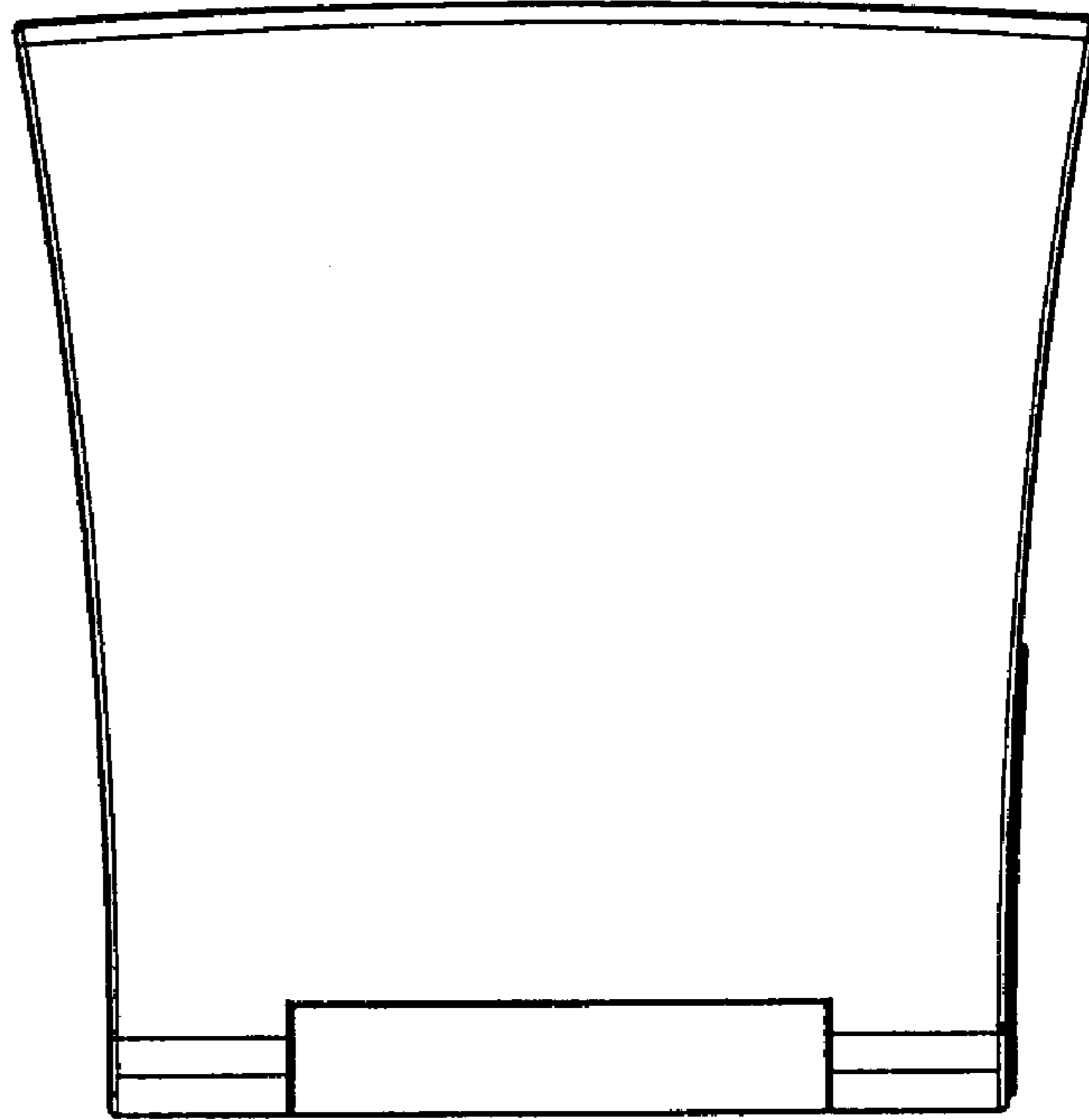


**Fig. 6**

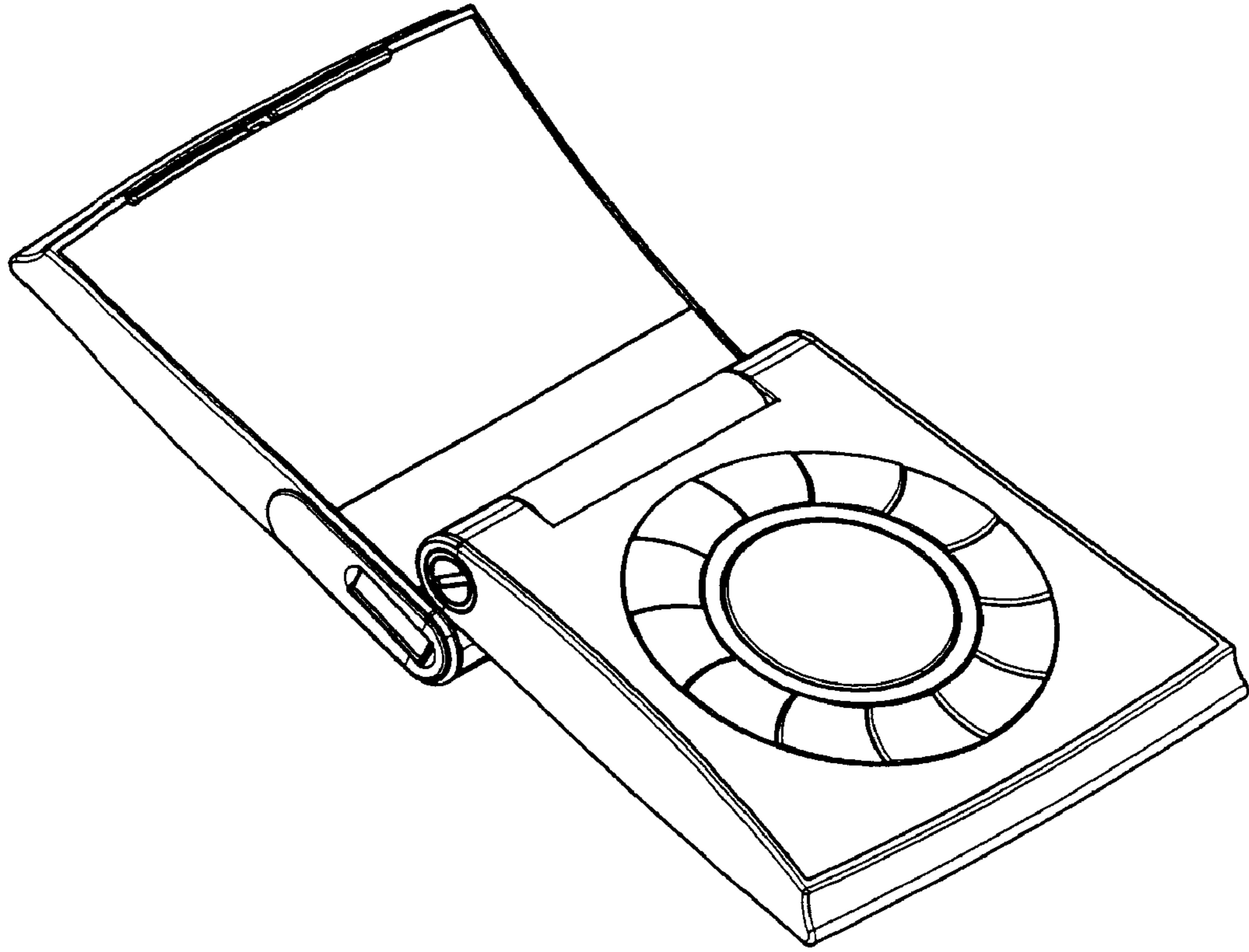




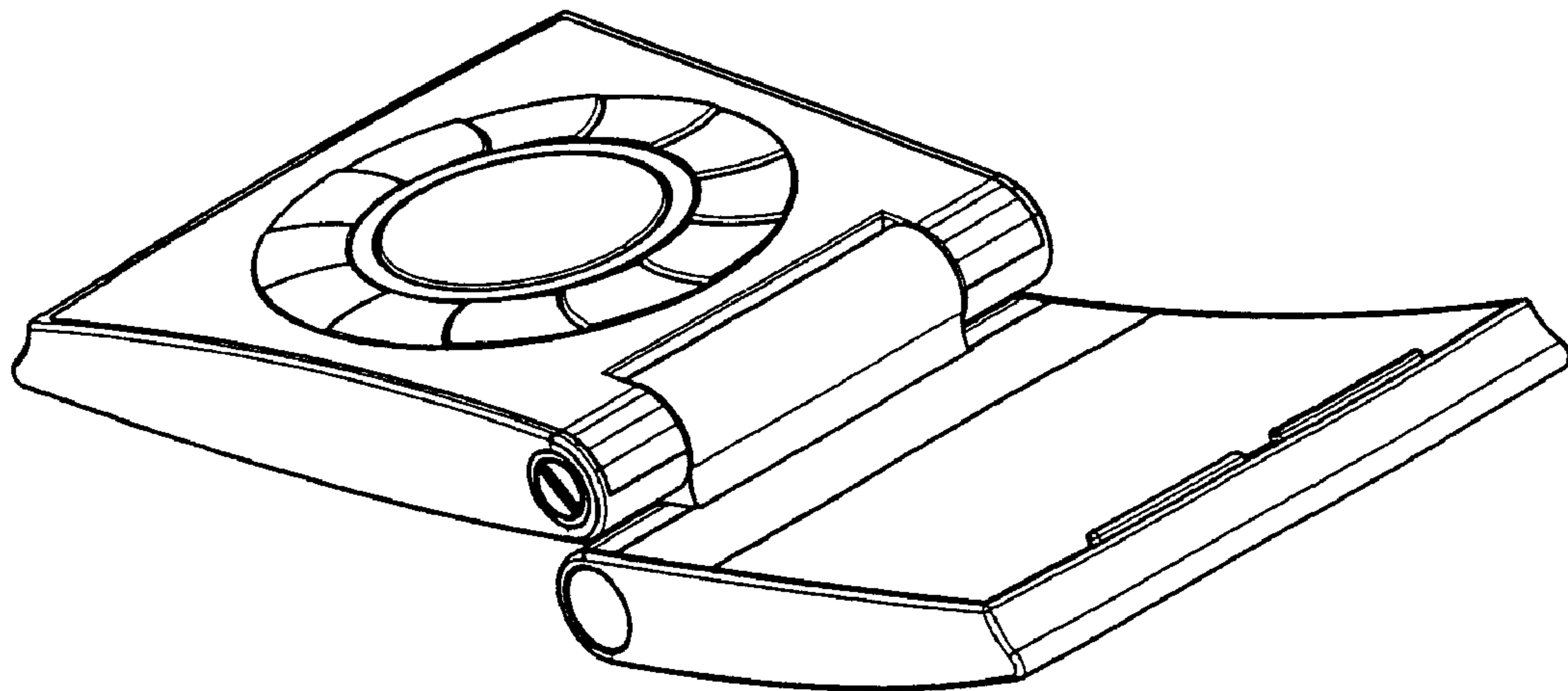
**Fig. 7**



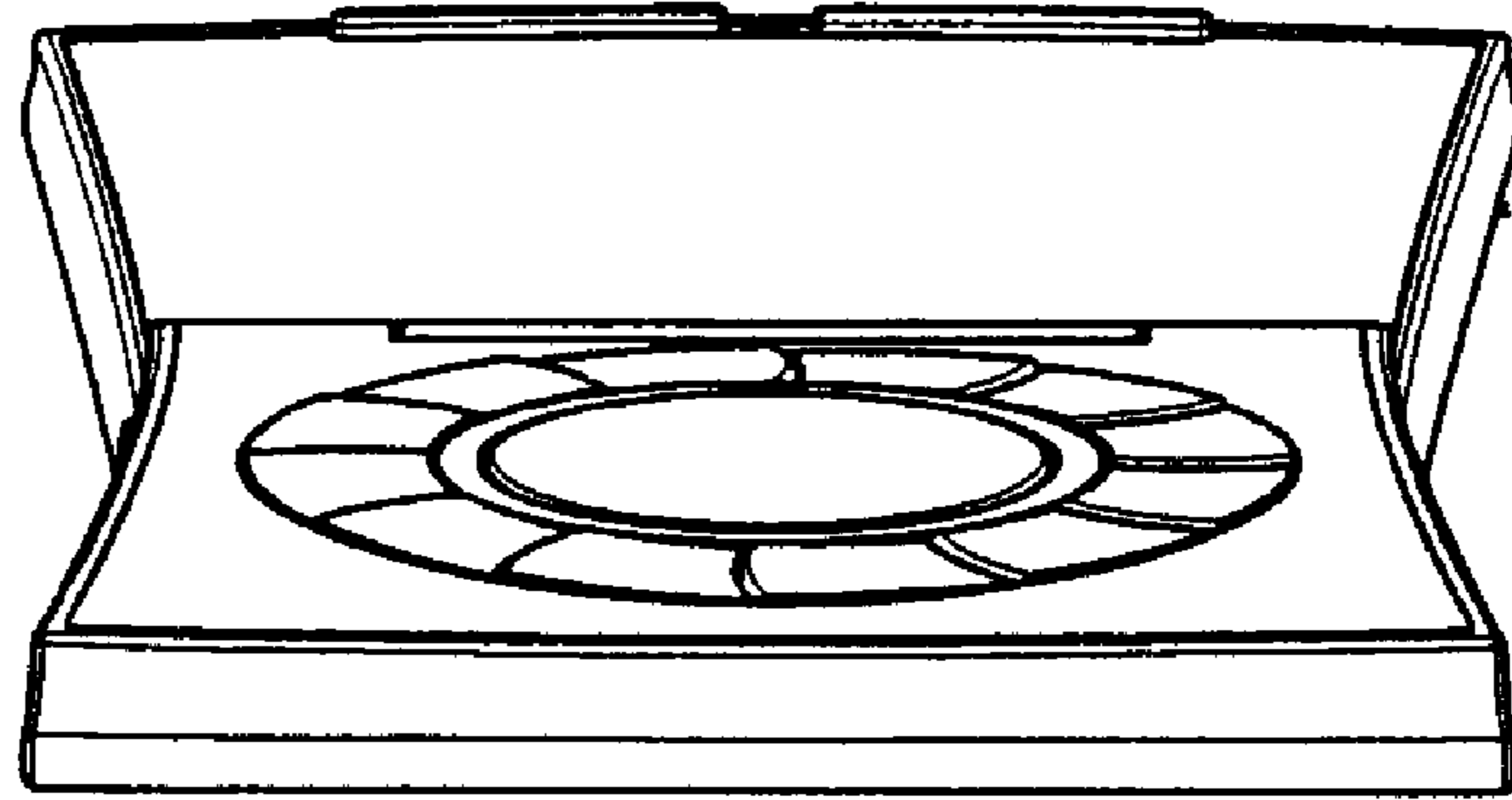
**Fig. 8**



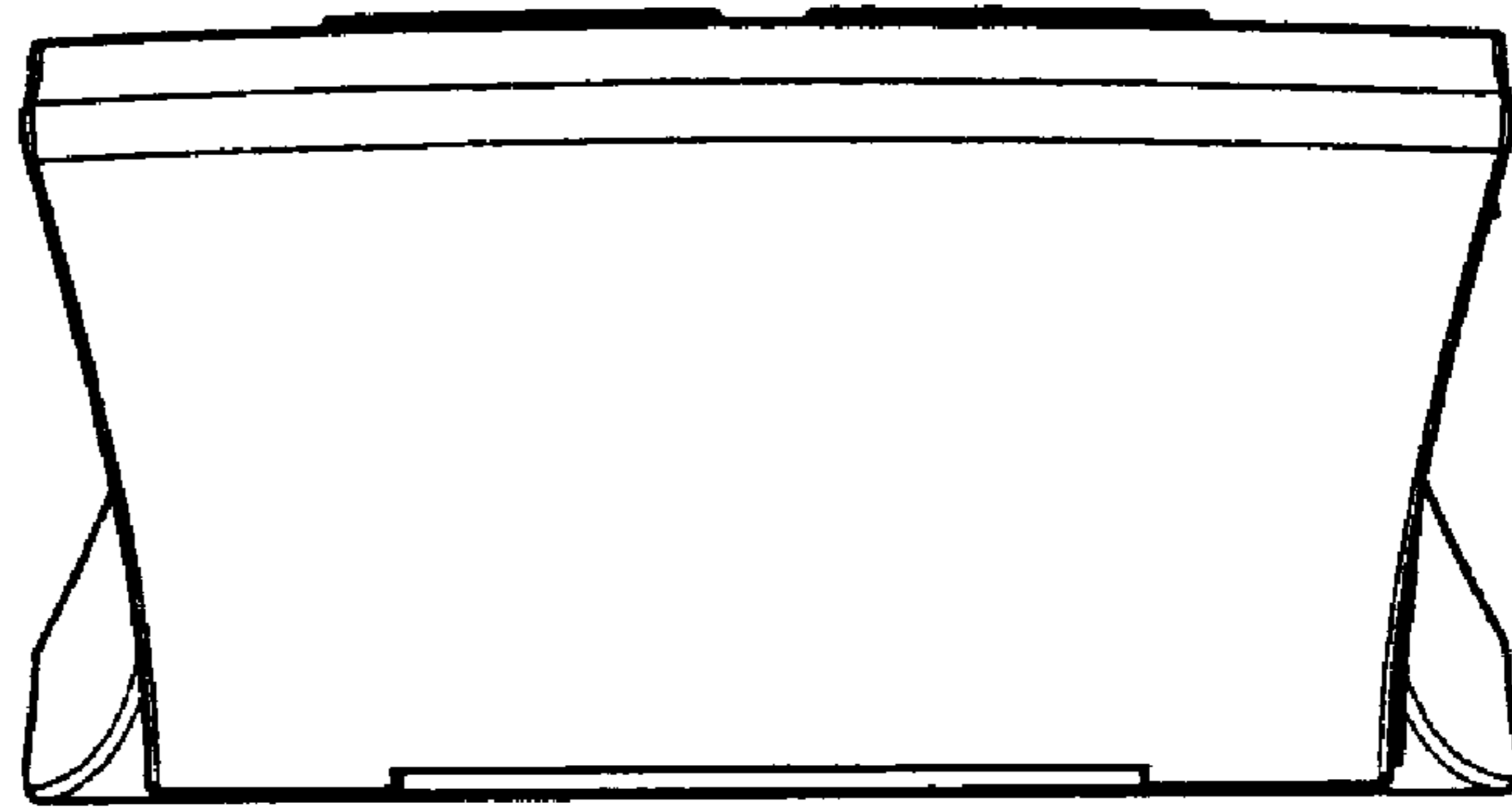
**Fig. 9**



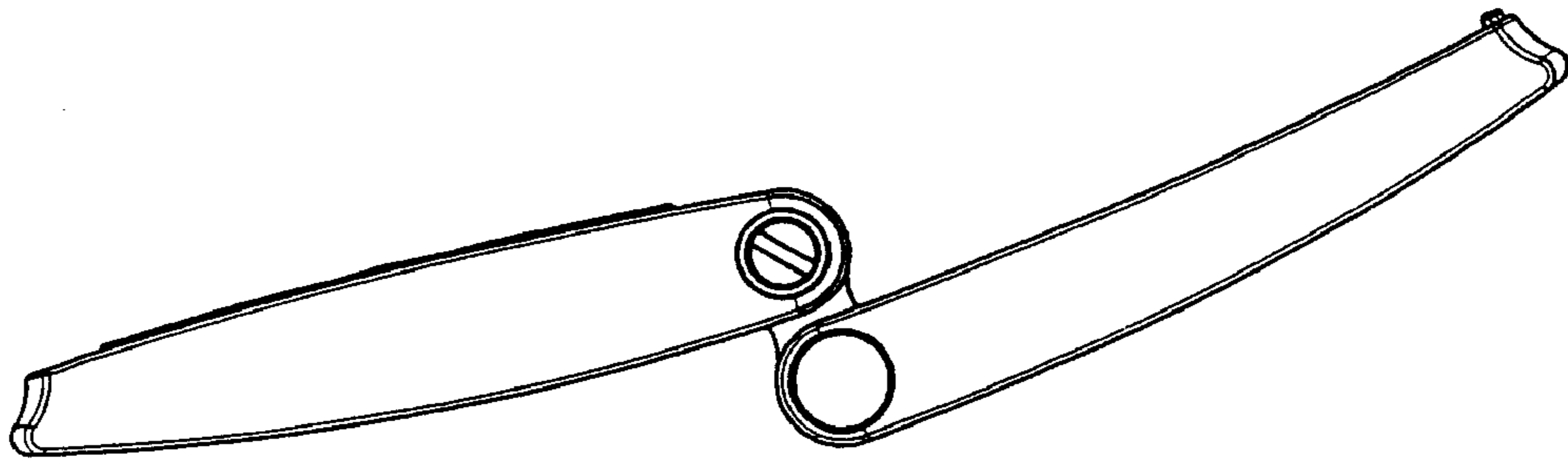
**Fig. 10**



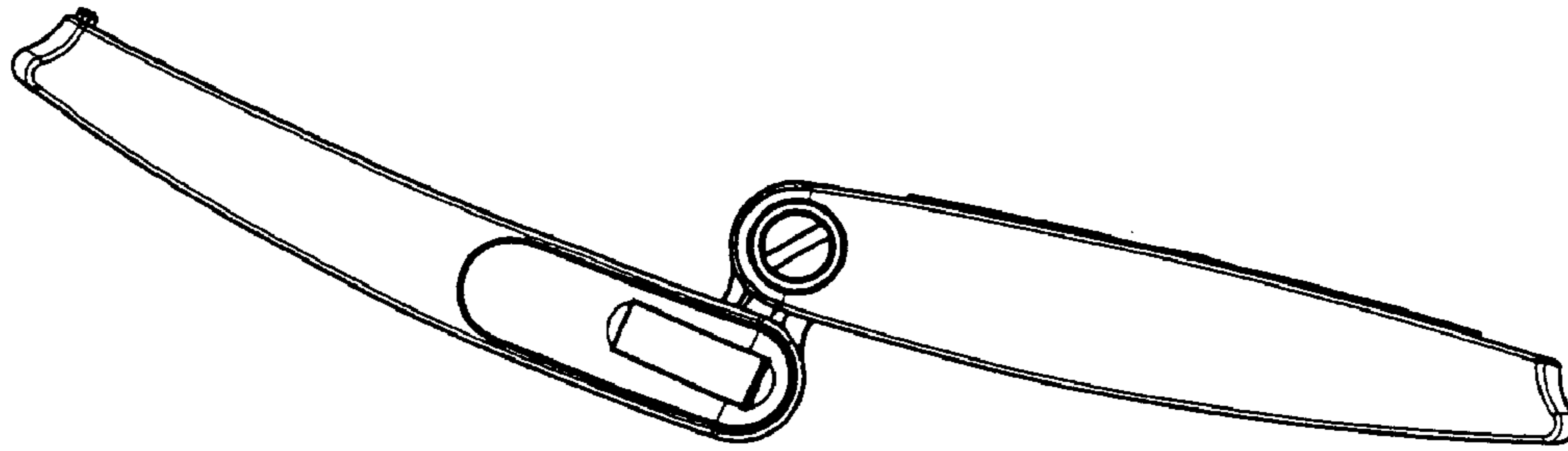
**Fig. 11**



**Fig. 12**

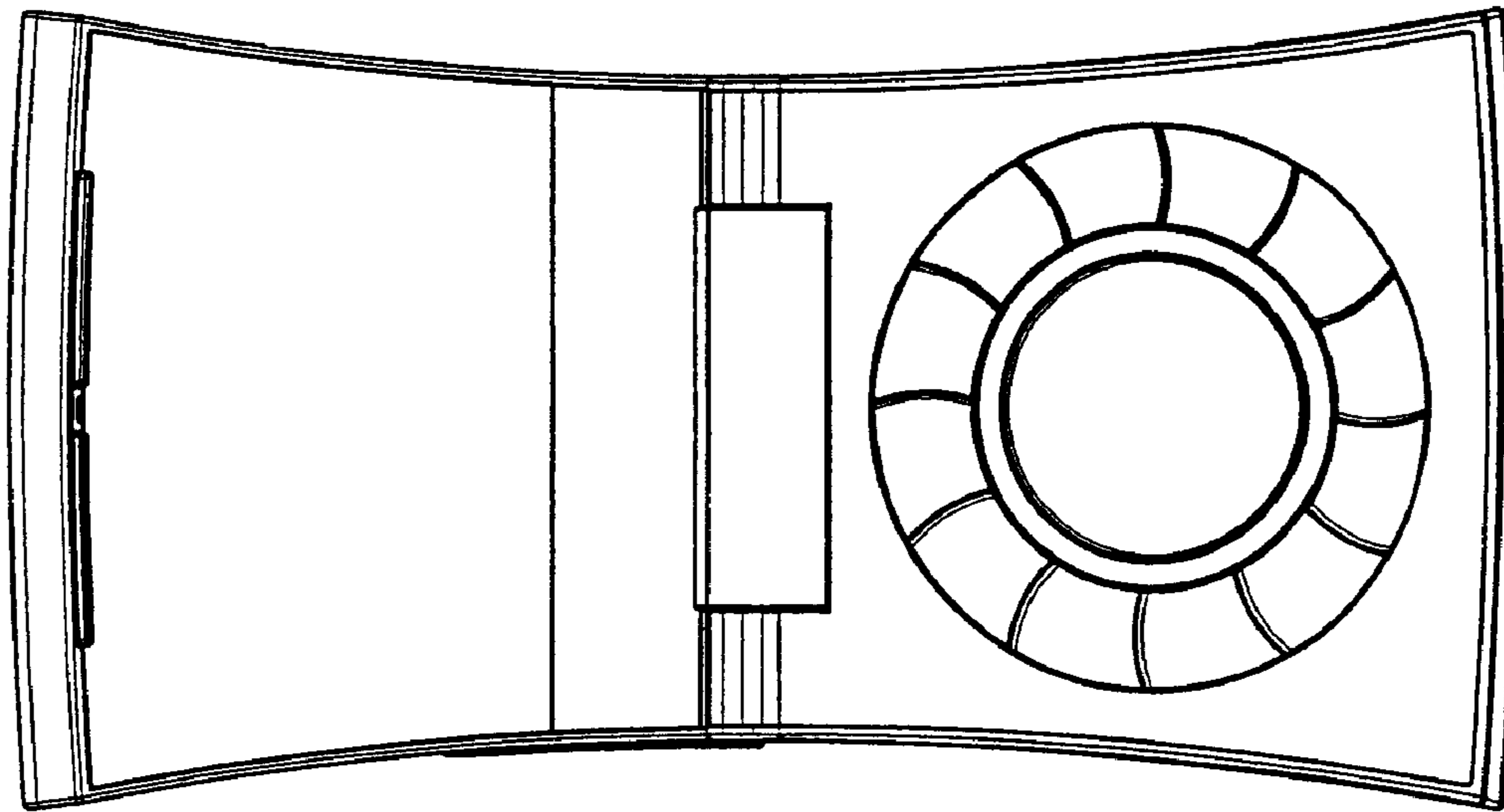


**Fig. 13**

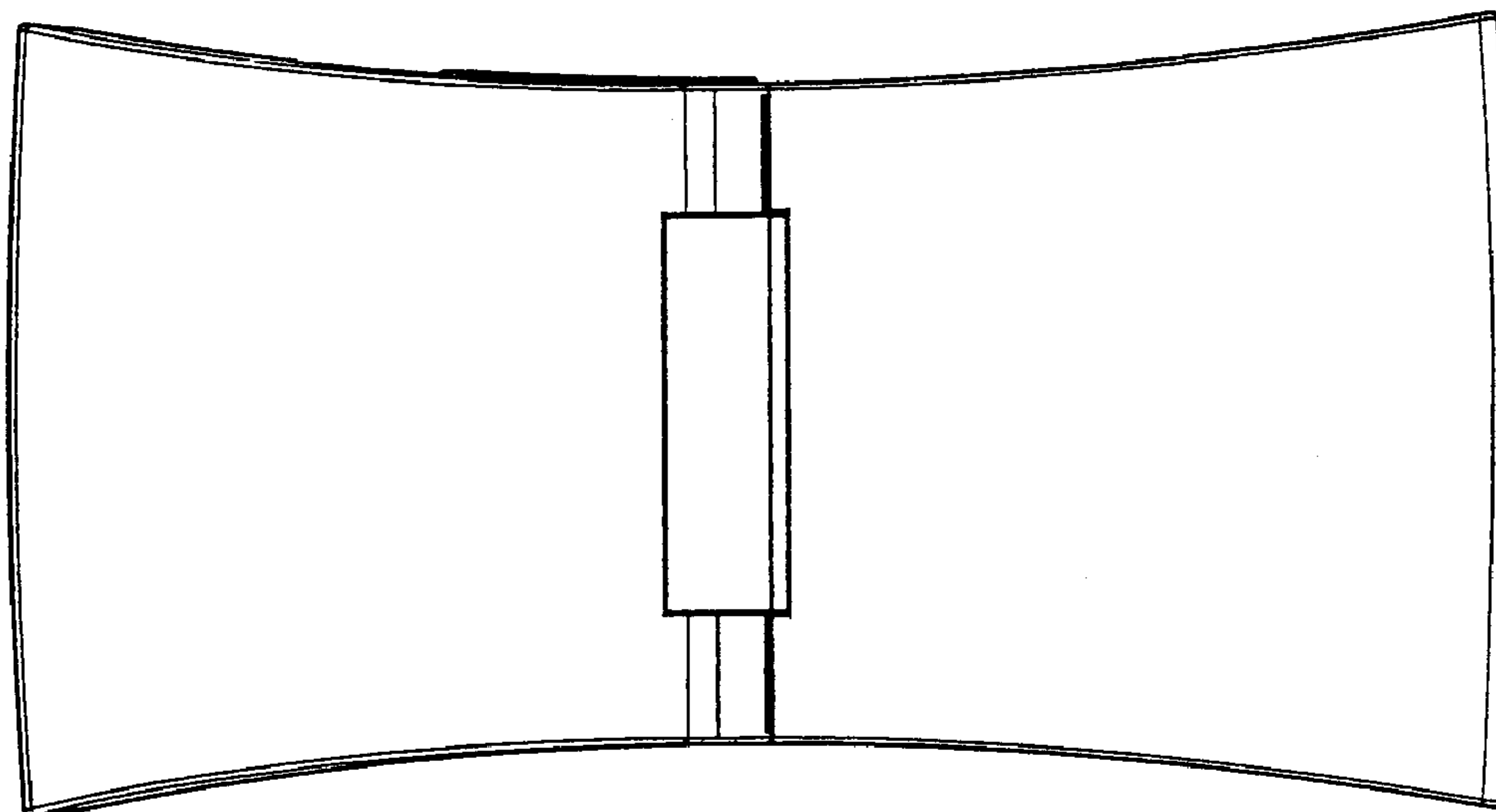


**Fig. 14**





**Fig. 15**



**Fig. 16**